



US00D384858S

United States Patent [19] Kurz

[11] Patent Number: **Des. 384,858**
[45] Date of Patent: ****Oct. 14, 1997**

[54] SANDWICH HOLDER

[75] Inventor: **Michael Kurz**, Frankfurt, Germany
[73] Assignee: **Rowenta-Werke GmbH**, Offenbach am Main, Germany
[**] Term: **14 Years**

[21] Appl. No.: **28,430**
[22] Filed: **Sep. 14, 1994**

[30] **Foreign Application Priority Data**
Mar. 14, 1994 [DE] Germany M 94 02 110.4
[51] LOC (6) Cl. **07-02**
[52] U.S. Cl. **D7/390**
[58] **Field of Search** D7/323, 328-331,
D7/350, 354, 390, 411; 99/324, 325, 341,
372, 375, 376, 385, 389, 400, 402, 426,
444, 450

[56] **References Cited**

U.S. PATENT DOCUMENTS

D. 203,371 12/1965 Keller D7/411
D. 216,347 12/1969 Domsby D7/411
1,733,137 10/1929 Spang 99/402 X
2,849,947 9/1958 Bork 99/402
2,941,463 6/1960 Di Cui 99/402 X
2,962,957 12/1960 Bork 99/402
3,094,061 6/1963 Cole 99/402
4,184,419 1/1980 Ponte 99/402

FOREIGN PATENT DOCUMENTS

4023191 1/1991 Germany 99/450

Primary Examiner—Caron D. Veynar
Attorney, Agent, or Firm—Cohen, Pontani, Lieberman,
Pavane

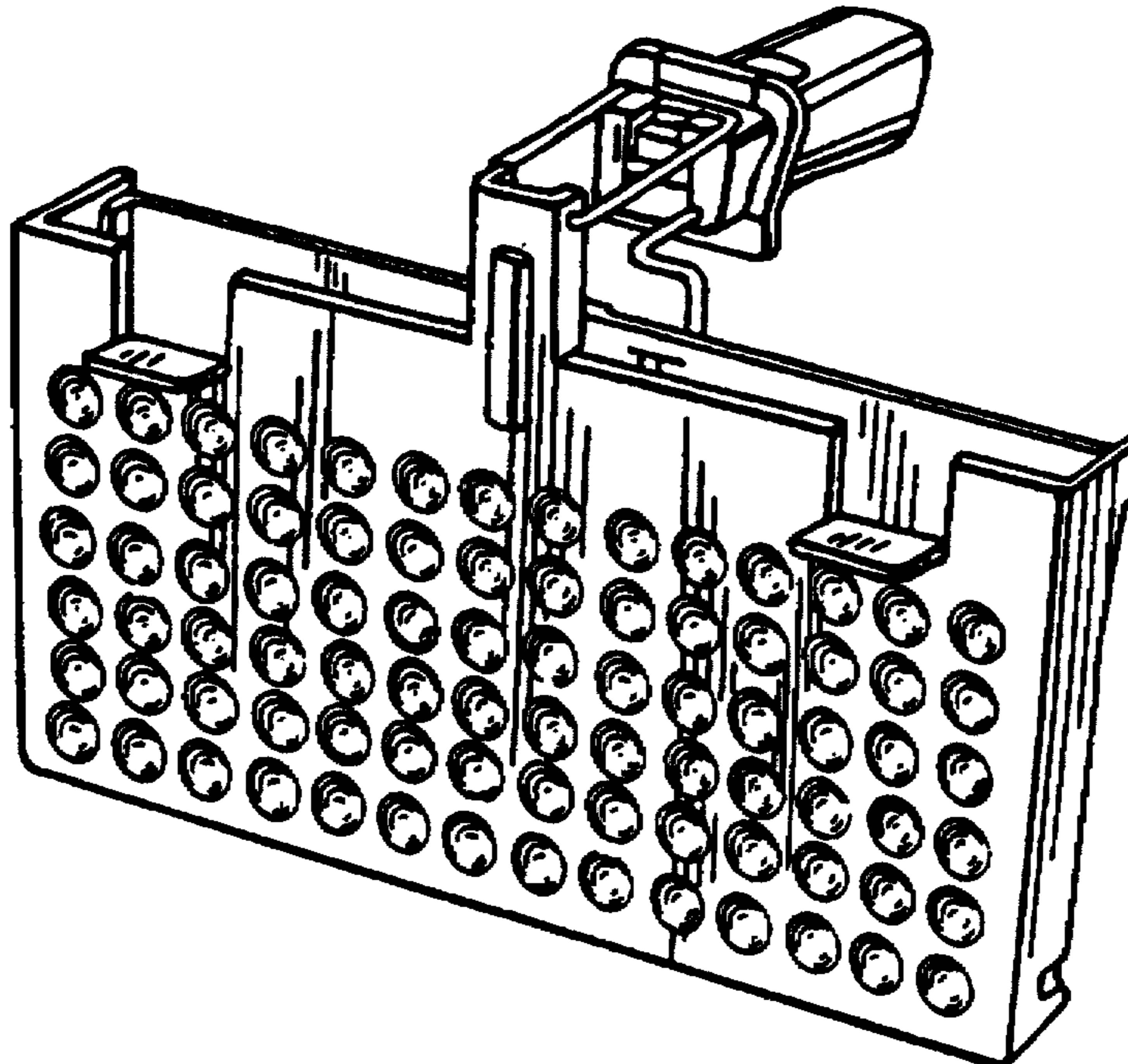
[57] **CLAIM**

The ornamental design for a sandwich holder, as shown and described.

DESCRIPTION

FIG. 1 is a front perspective view of a sandwich holder showing my new design;
FIG. 2 is a rear perspective view of the sandwich holder of FIG. 1;
FIG. 3 is a side view in elevation of the sandwich holder of FIG. 1 as seen from the left-hand side of FIG. 5;
FIG. 4 is a side view in elevation of the sandwich holder of FIG. 1 as seen from the right-hand side of FIG. 5;
FIG. 5 is a front view in elevation of the sandwich holder of FIG. 1;
FIG. 6 is a rear view in elevation of the sandwich holder of FIG. 1;
FIG. 7 is a top plan view of FIG. 5;
FIG. 8 is a bottom view of FIG. 5; and,
FIG. 9 is a front perspective view similar to FIG. 1 of the sandwich holder in an open state.

1 Claim, 2 Drawing Sheets



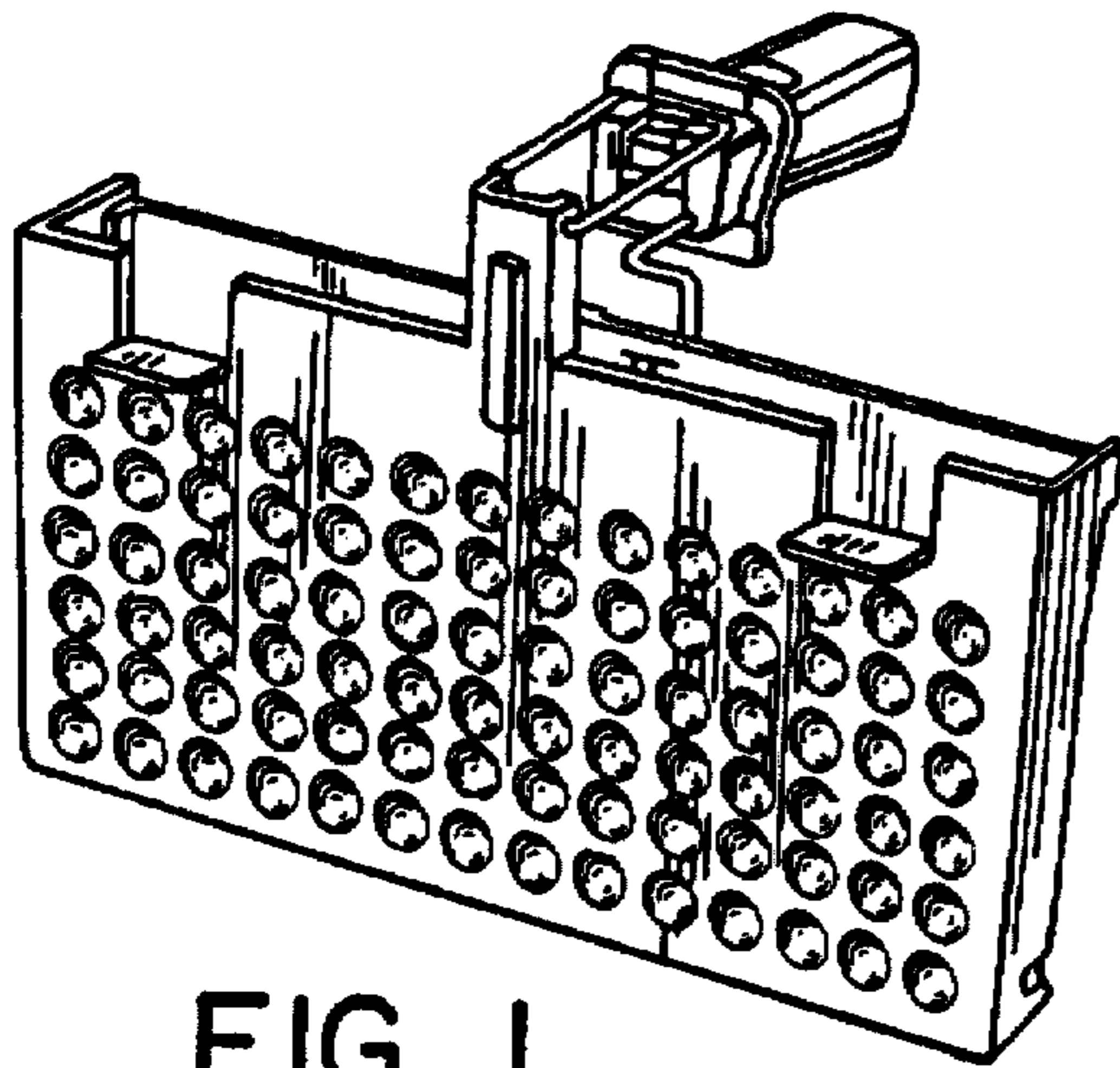


FIG. 1

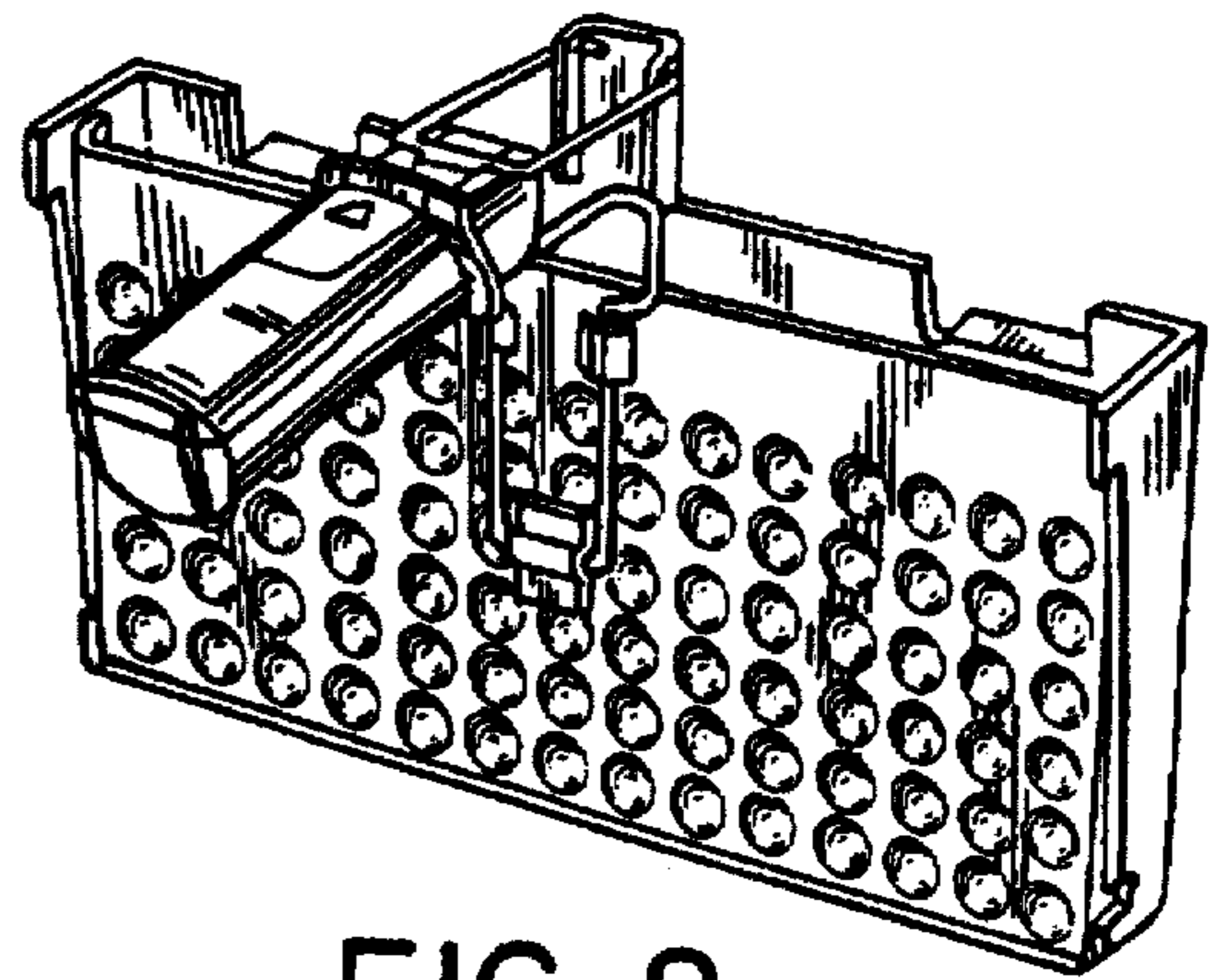


FIG. 2

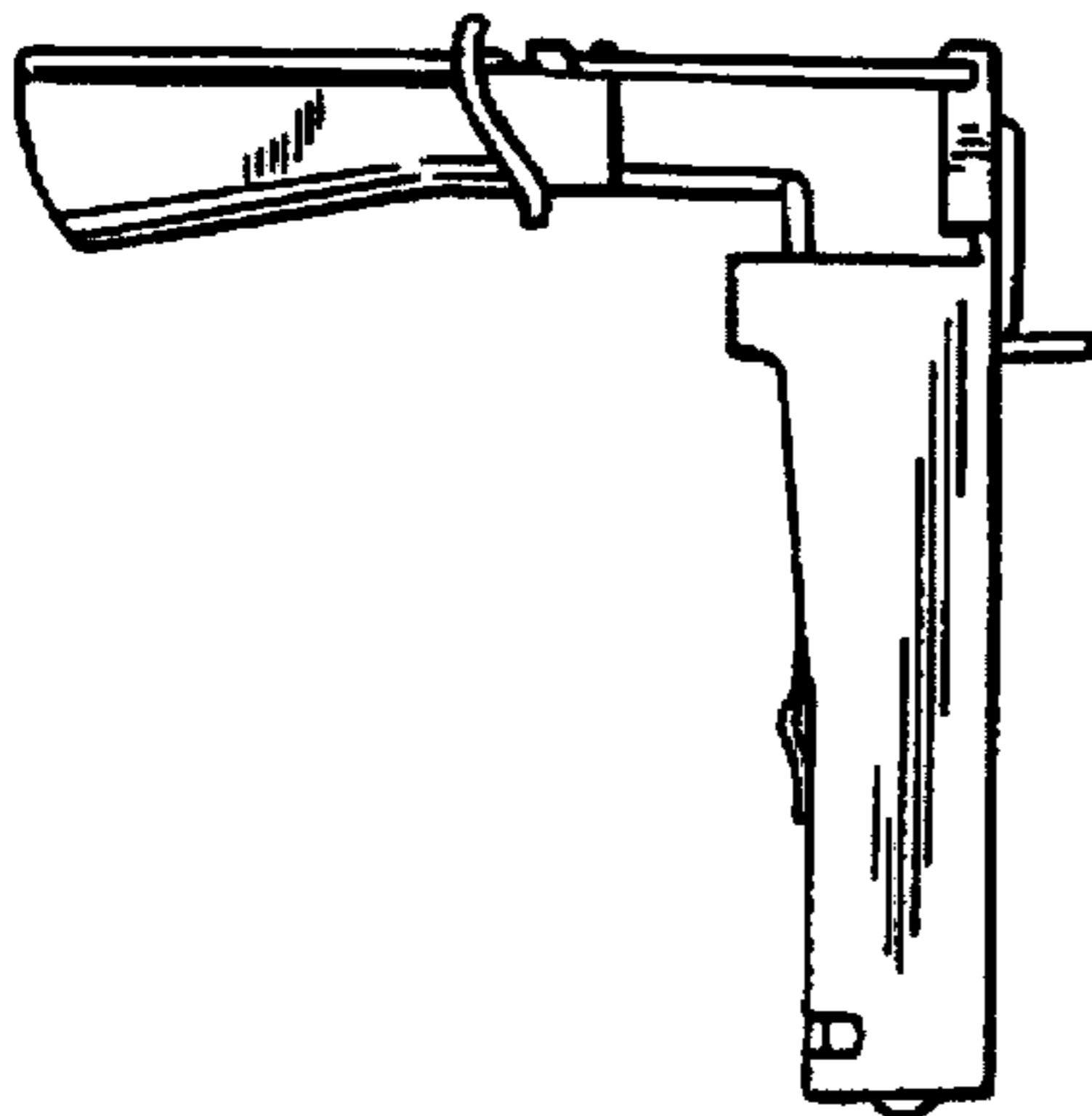


FIG. 3

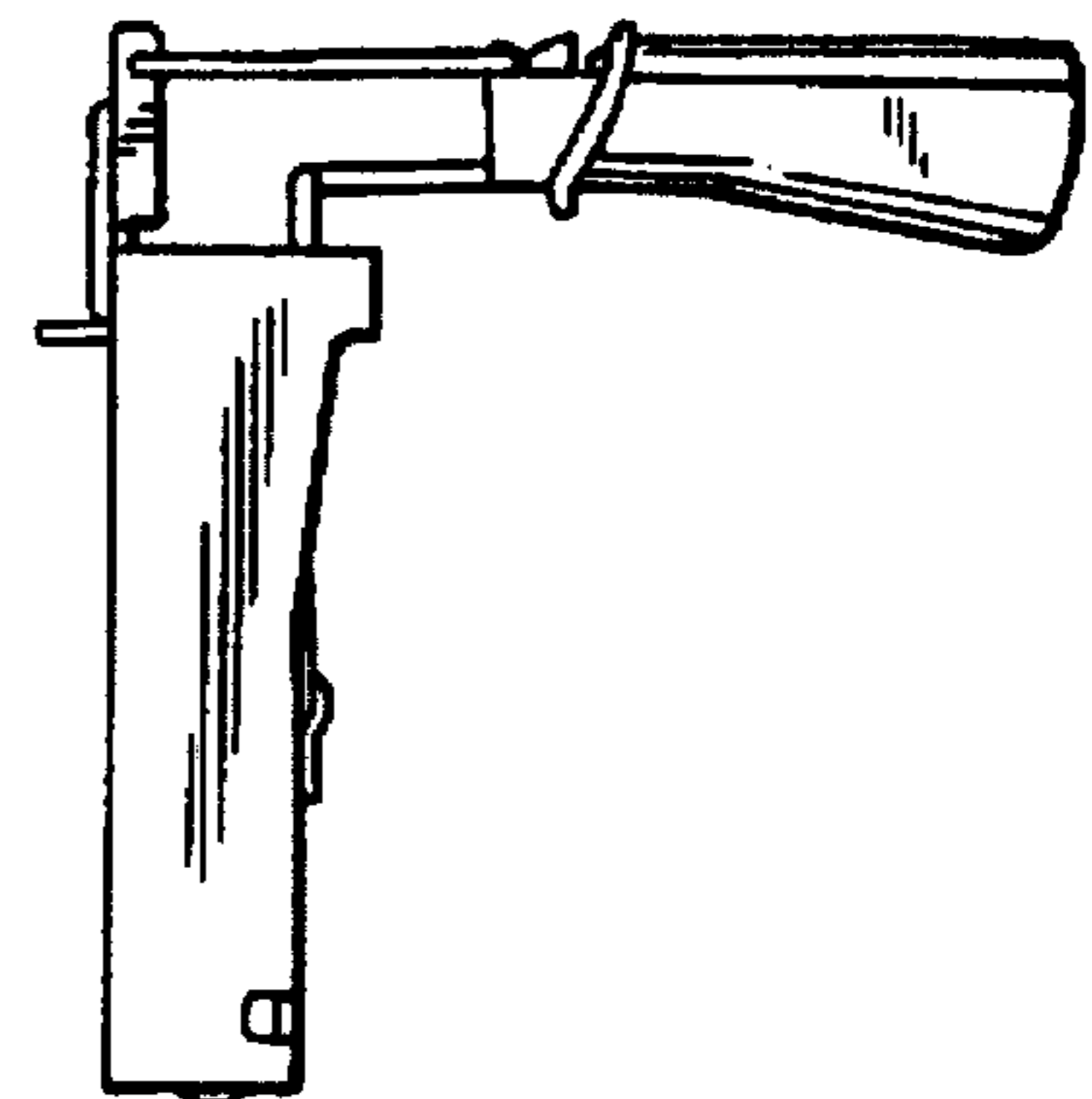


FIG. 4

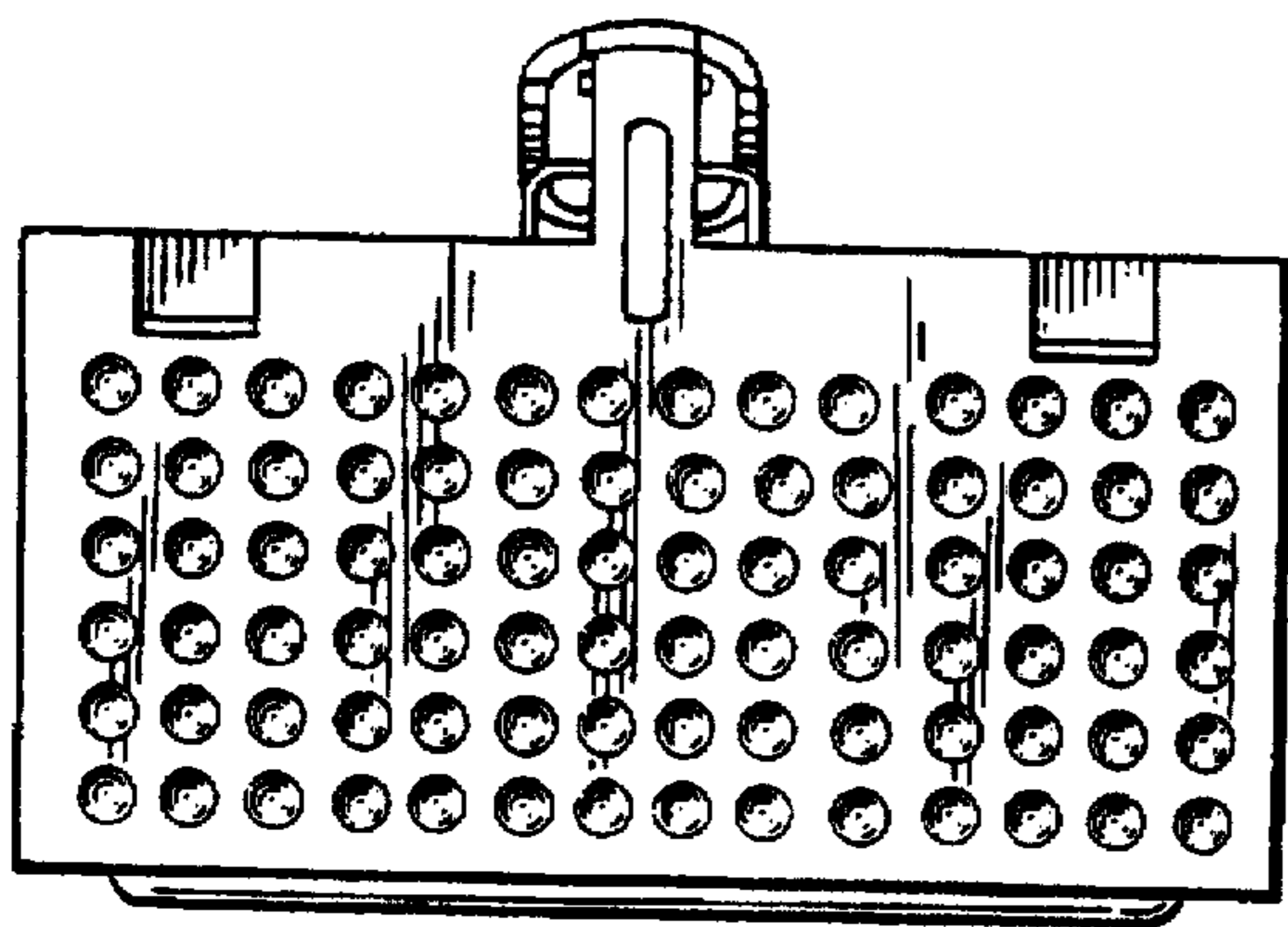


FIG. 5

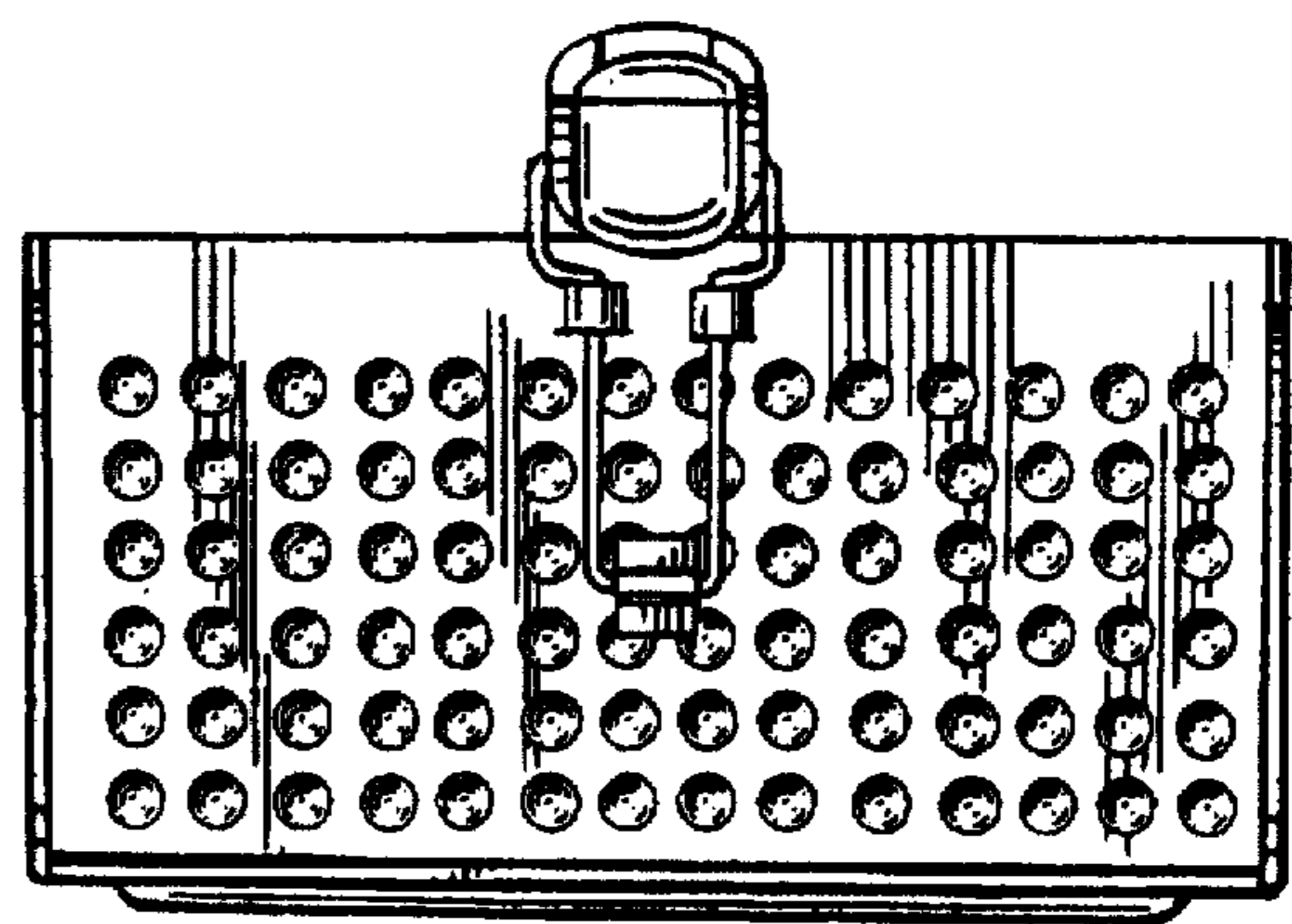


FIG. 6

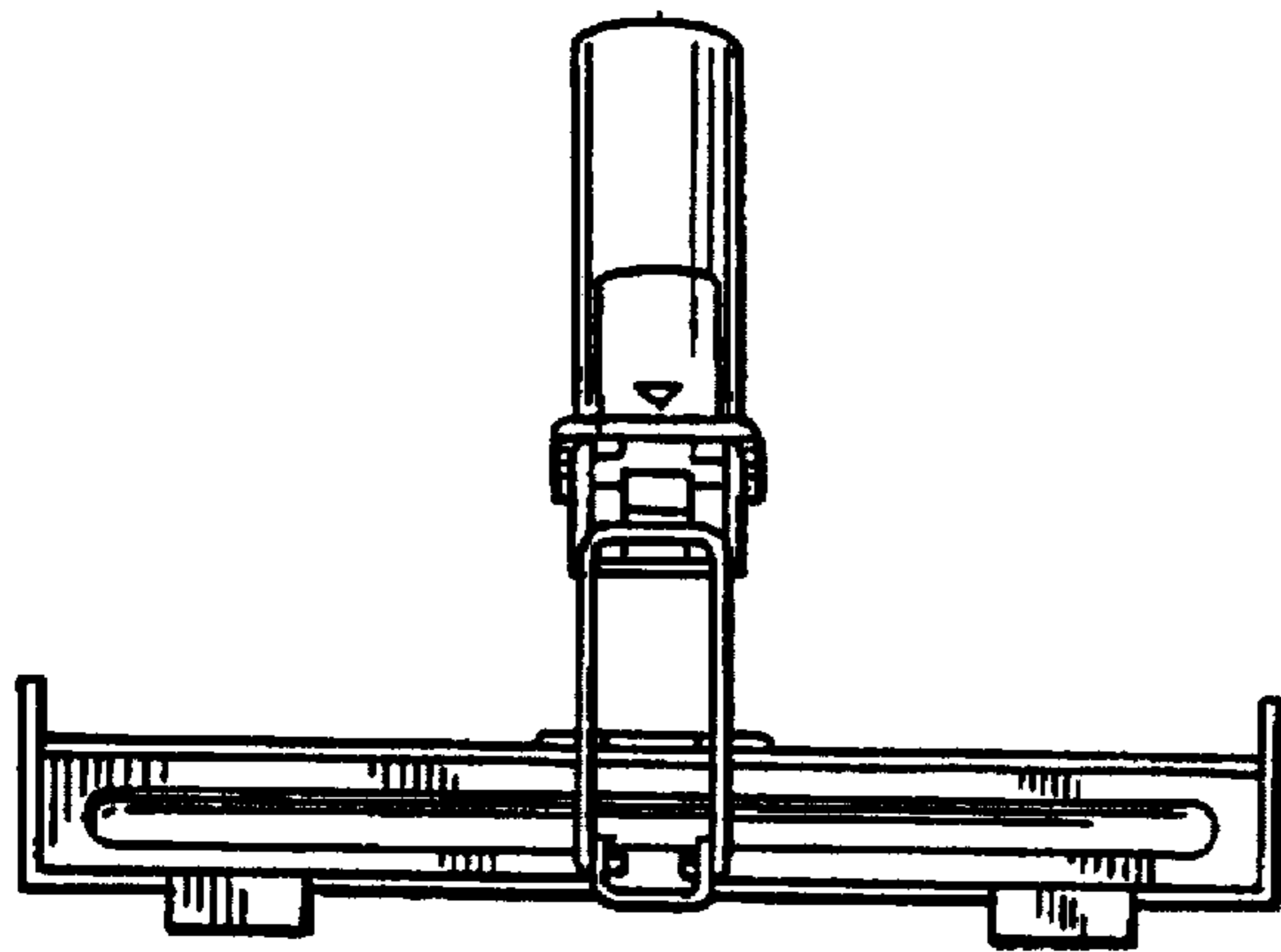


FIG. 7

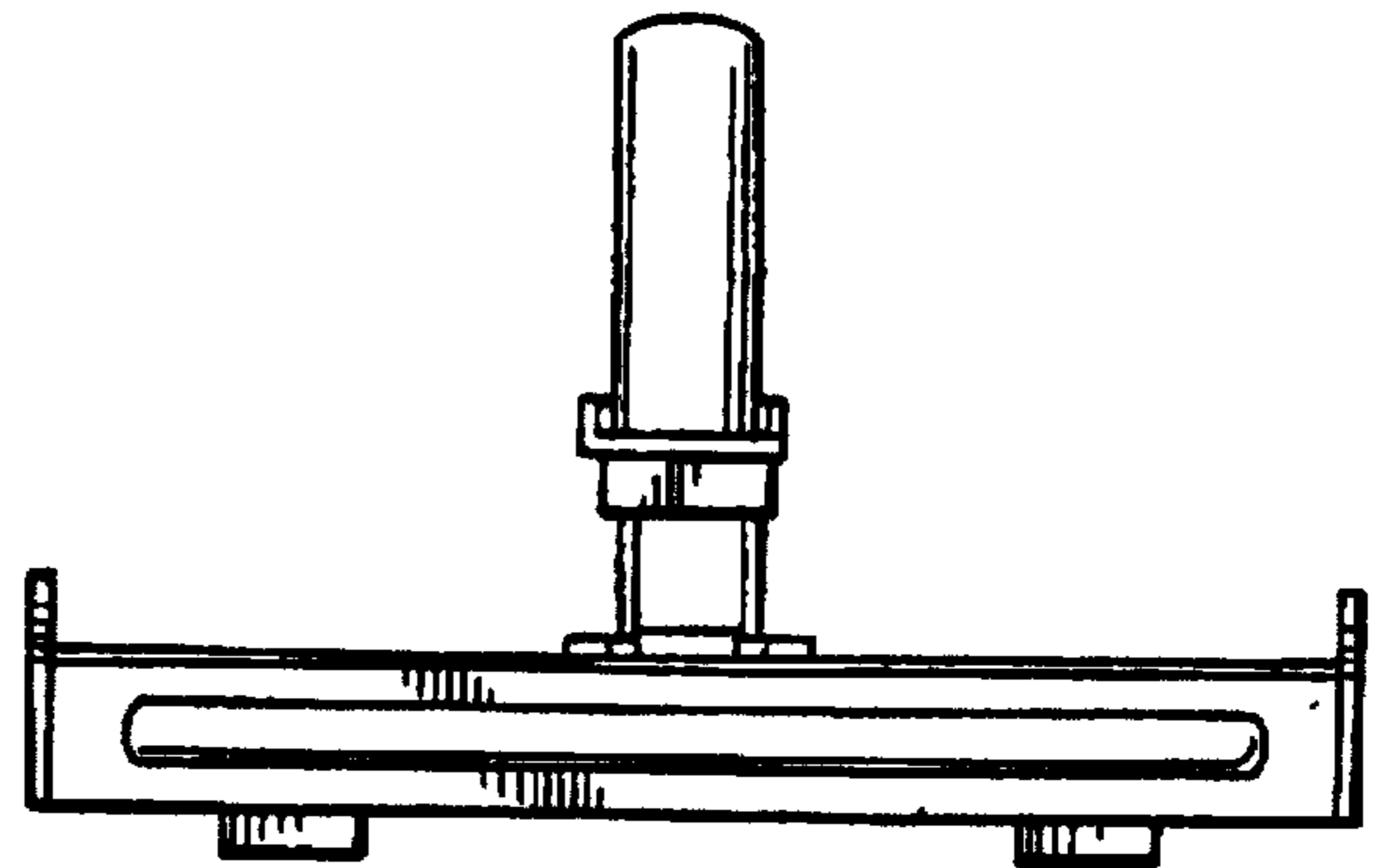


FIG. 8

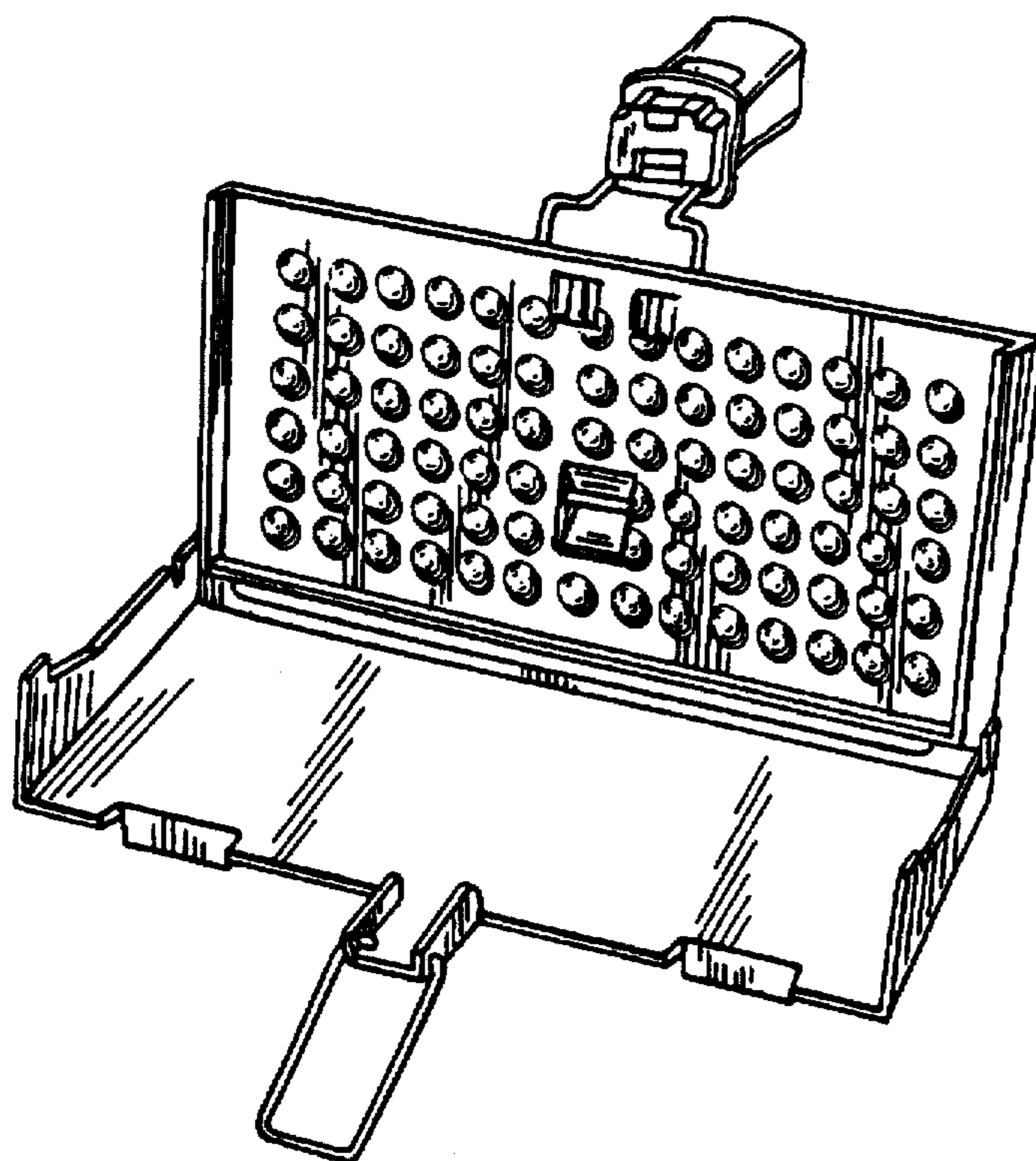


FIG. 9