



US00D384856S

United States Patent [19] Iribe

[11] Patent Number: Des. 384,856

[45] Date of Patent: **Oct. 14, 1997

[54] CASE FOR A VIDEO CASSETTE

[75] Inventor: Toshio Iribe, Tokyo, Japan

[73] Assignee: Sony Corporation, Tokyo, Japan

[**] Term: 14 Years

[21] Appl. No.: 45,839

[22] Filed: Oct. 31, 1995

[51] LOC (6) Cl. 06-99

[52] U.S. Cl. D6/632

[58] Field of Search D6/407, 626-635;
D19/75, 76, 90; D9/432; 206/387.1, 308-312

[56] References Cited

U.S. PATENT DOCUMENTS

D. 192,278	2/1962	Meyer	D19/90
D. 303,041	8/1989	Thompson	D6/632
D. 340,575	10/1993	Suwa	D6/632
4,541,527	9/1985	Nagel	206/308.3
4,678,080	7/1987	Nelson	206/387.1
5,361,898	11/1994	Gottlieb	206/387.1
5,405,007	4/1995	Iwahashi	206/387.1

FOREIGN PATENT DOCUMENTS

226359	6/1987	European Pat. Off.	206/387.1
405112385	5/1993	Japan	206/387.1
219863	1/1988	United Kingdom	206/387.1

Primary Examiner—Doris V. Coles
Attorney, Agent, or Firm—Foley & Lardner

[57] CLAIM

The ornamental design for a case for a video cassette, as shown and described.

DESCRIPTION

FIG. 1 is a front perspective view of a case for a video cassette showing my new design;
 FIG. 2 is a rear perspective view wherein the lid of the case is opened;
 FIG. 3 is a top plan view thereof;
 FIG. 4 is a left side elevational view thereof;
 FIG. 5 is a front elevational view thereof;
 FIG. 6 is a bottom plan view thereof;
 FIG. 7 is a right side elevational view thereof;
 FIG. 8 is a rear elevational view thereof;
 FIG. 9 is a front perspective view of a second embodiment of a case for a video cassette;
 FIG. 10 is a rear perspective view wherein the lid of the case is opened;
 FIG. 11 is a top plan view of FIG. 9;
 FIG. 12 is a left side elevational view of FIG. 9;
 FIG. 13 is a front elevational view of FIG. 9;
 FIG. 14 is a bottom plan view of FIG. 9;
 FIG. 15 is a right side elevational view of FIG. 9; and,
 FIG. 16 is a rear elevational view of FIG. 9.

1 Claim, 4 Drawing Sheets

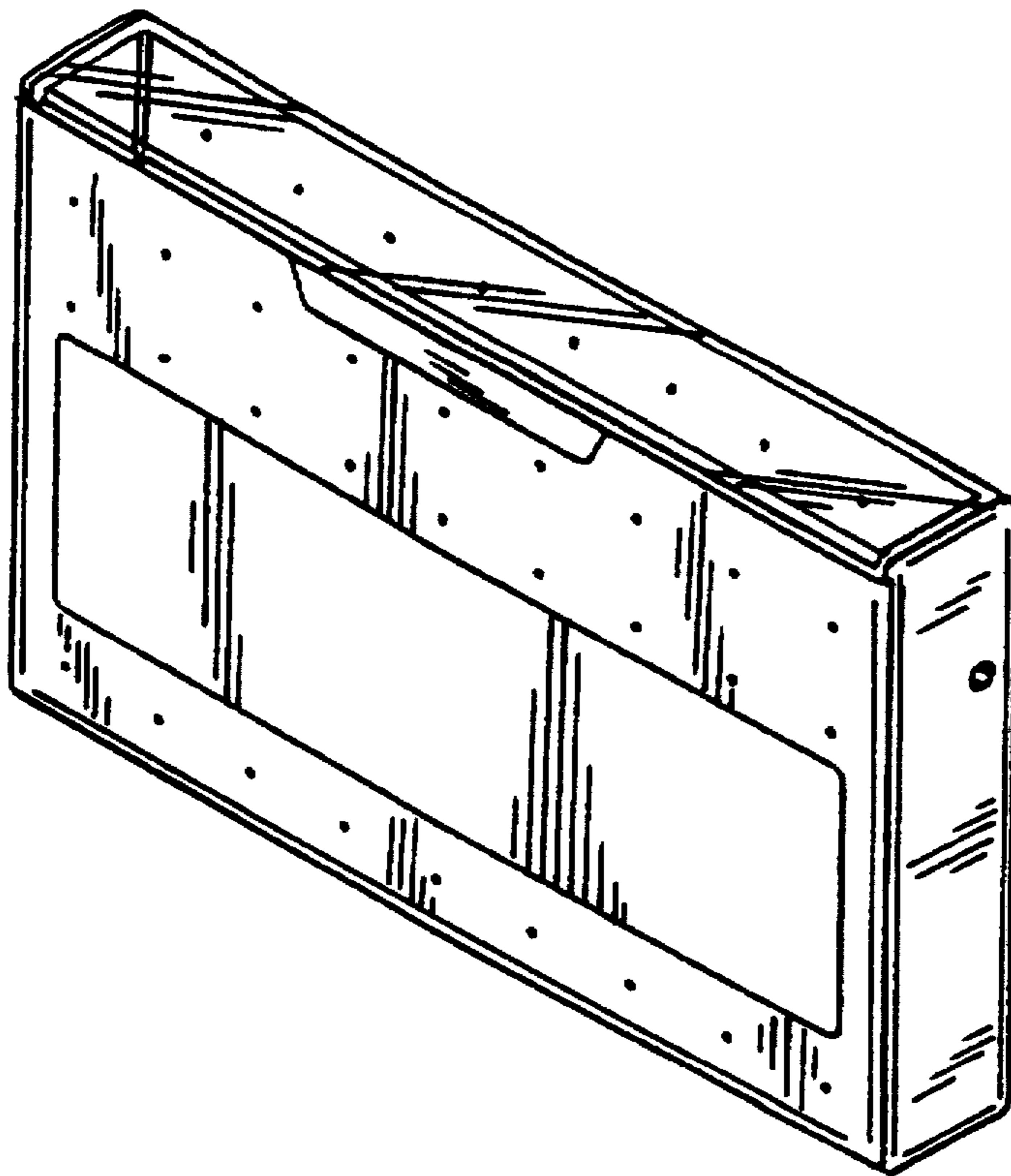


FIG. 2

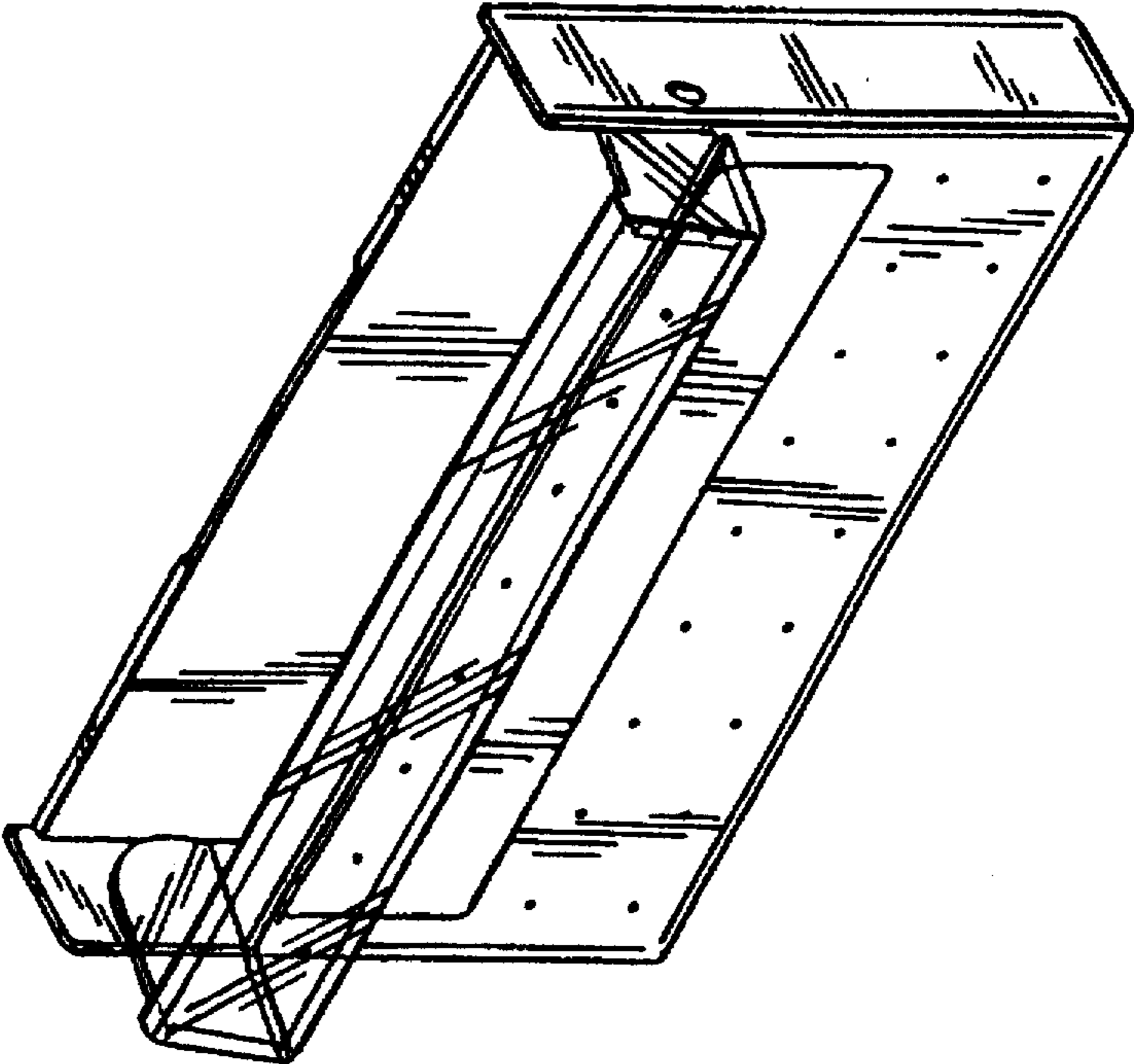


FIG. 1

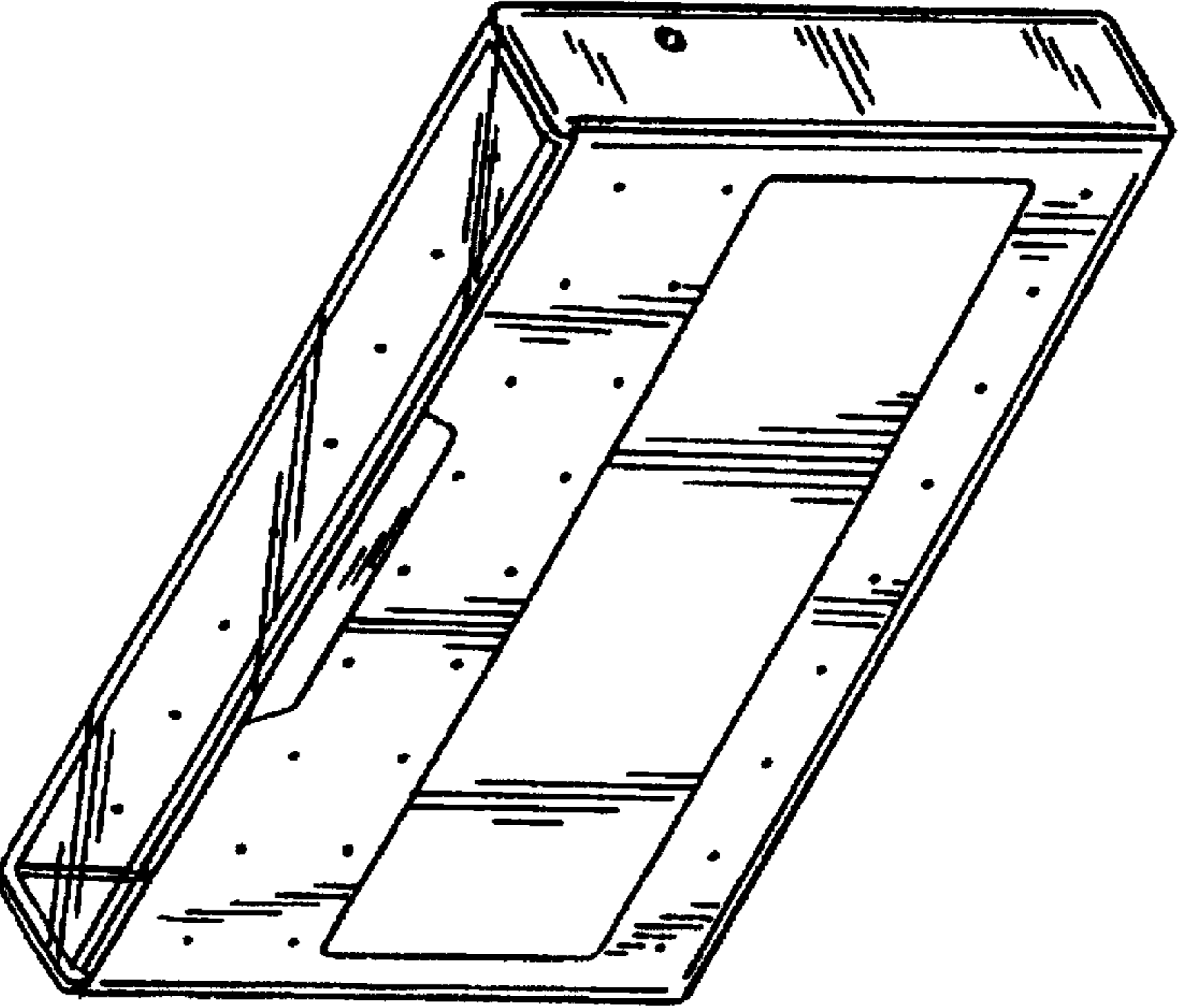


FIG. 3



FIG. 4



FIG. 5

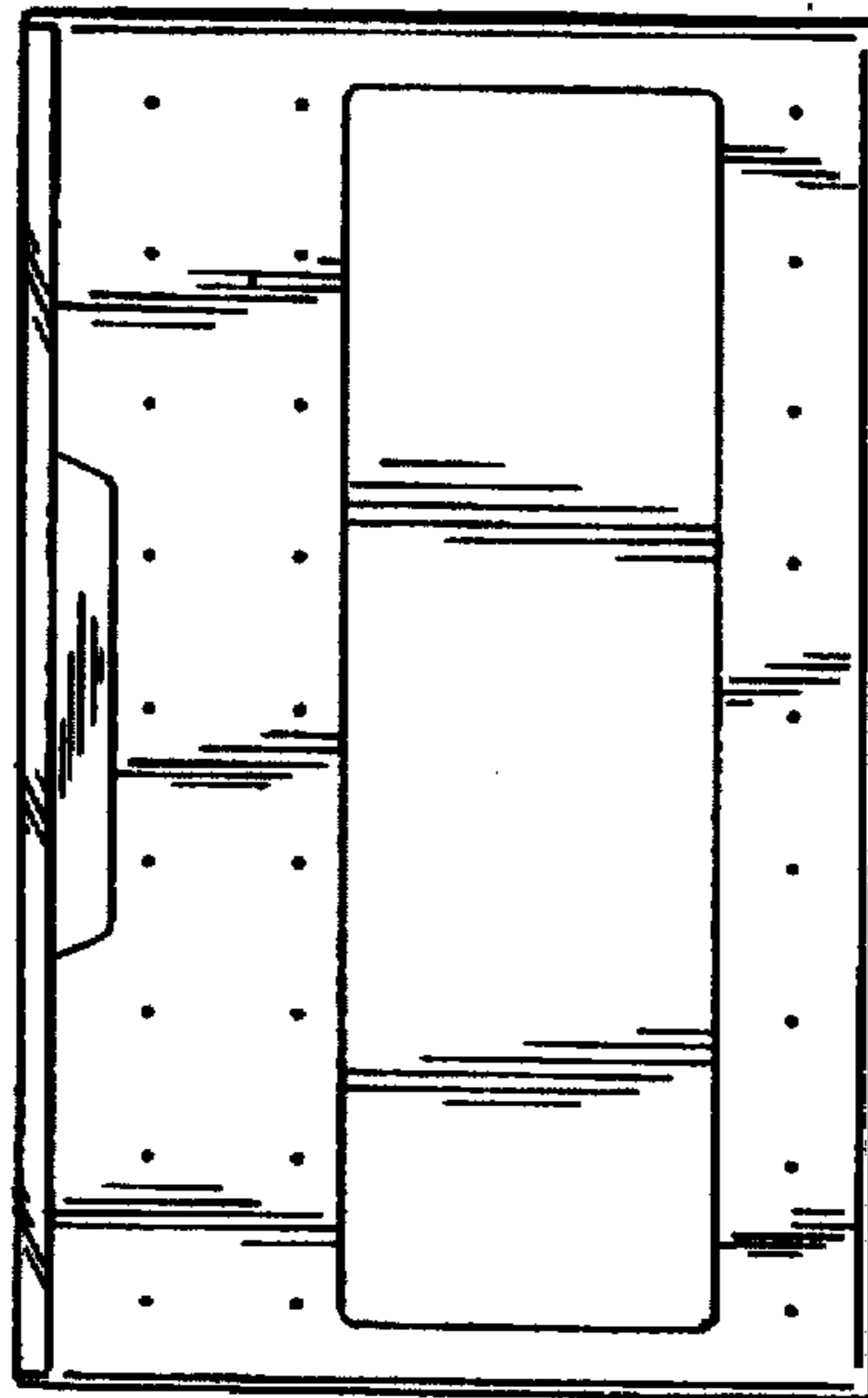


FIG. 7



FIG. 8

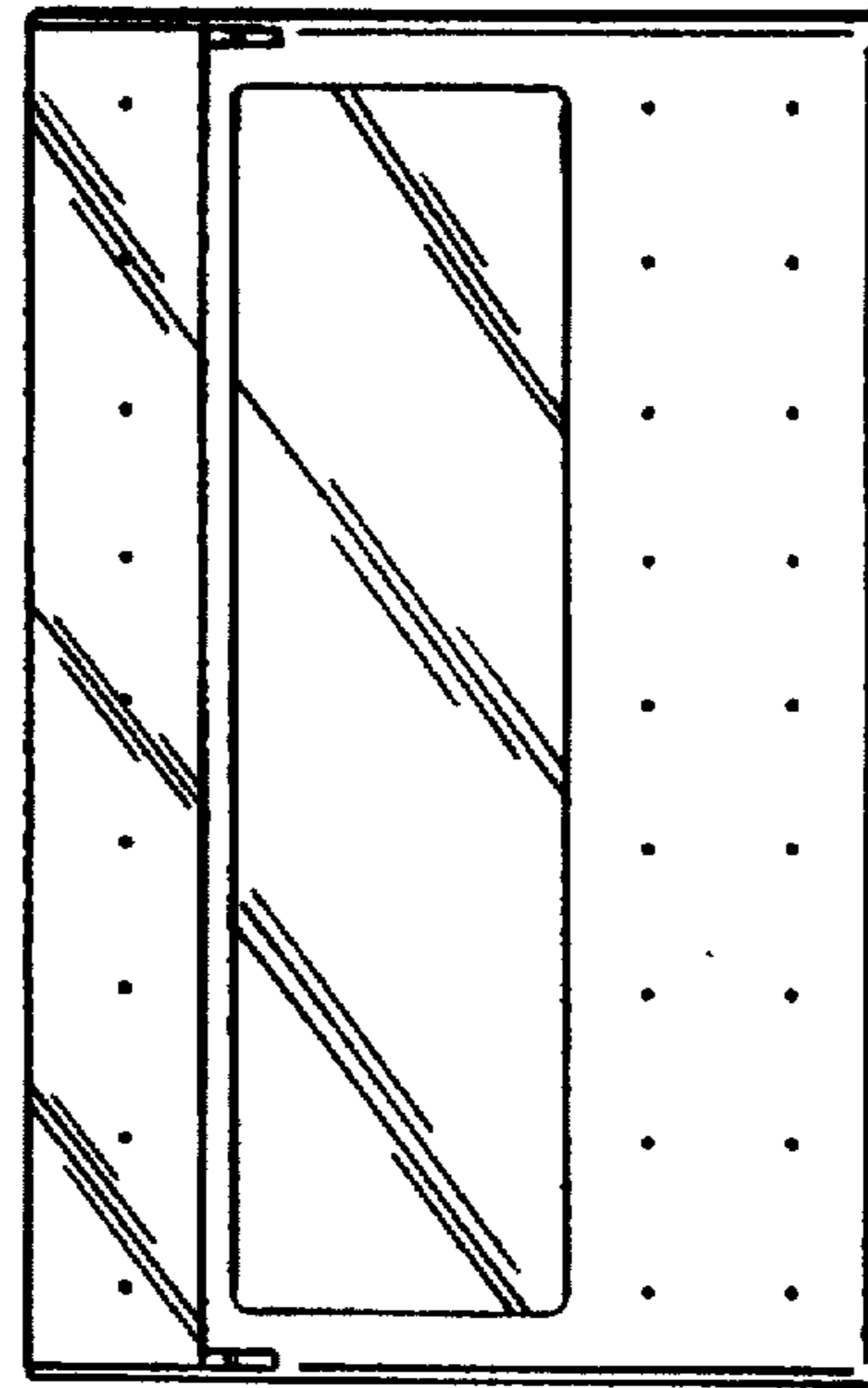


FIG. 6

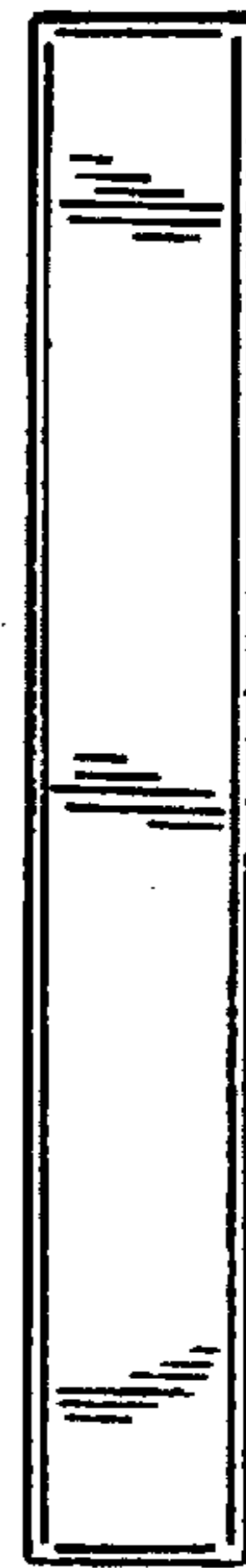


FIG. 10

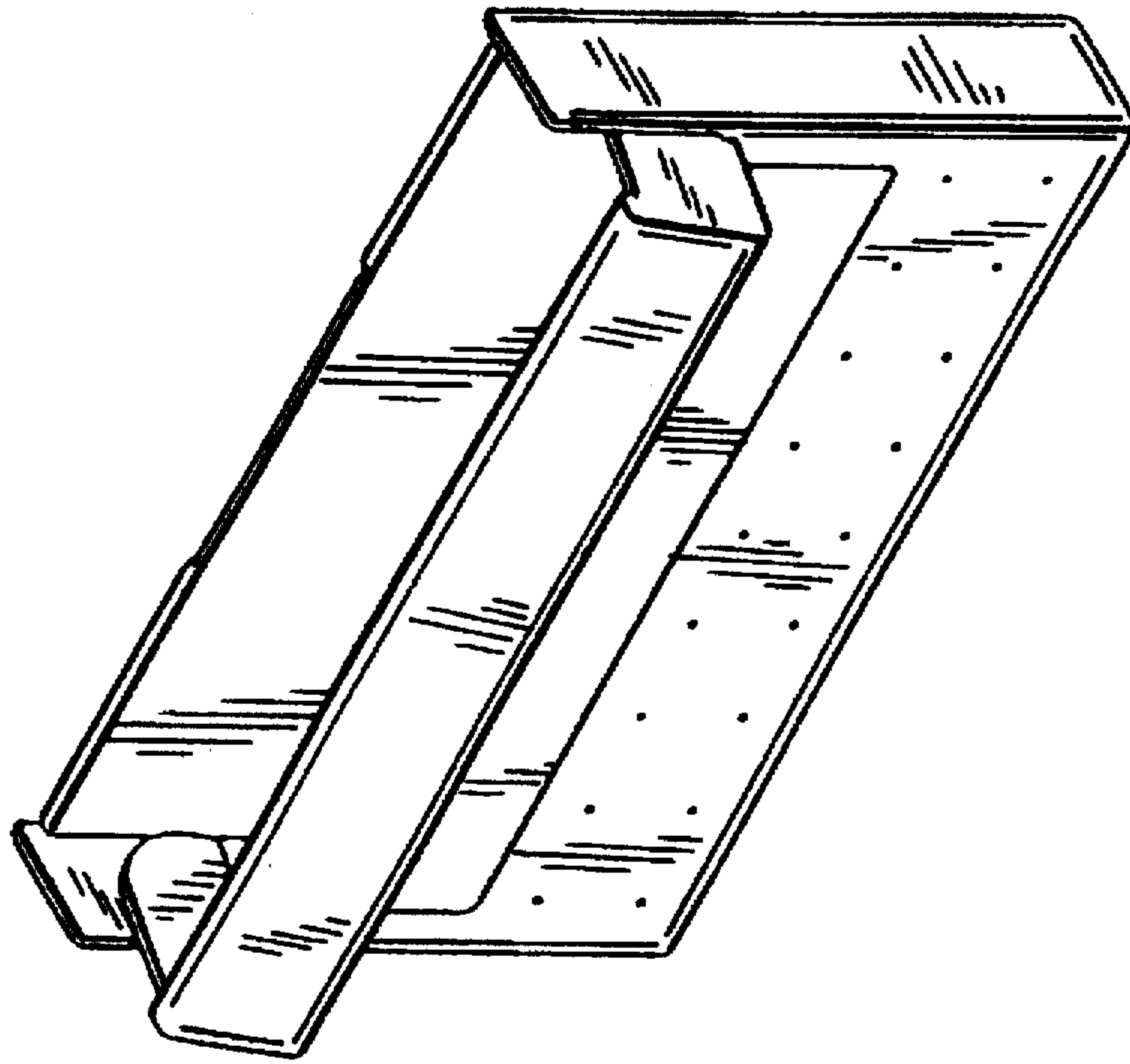


FIG. 9

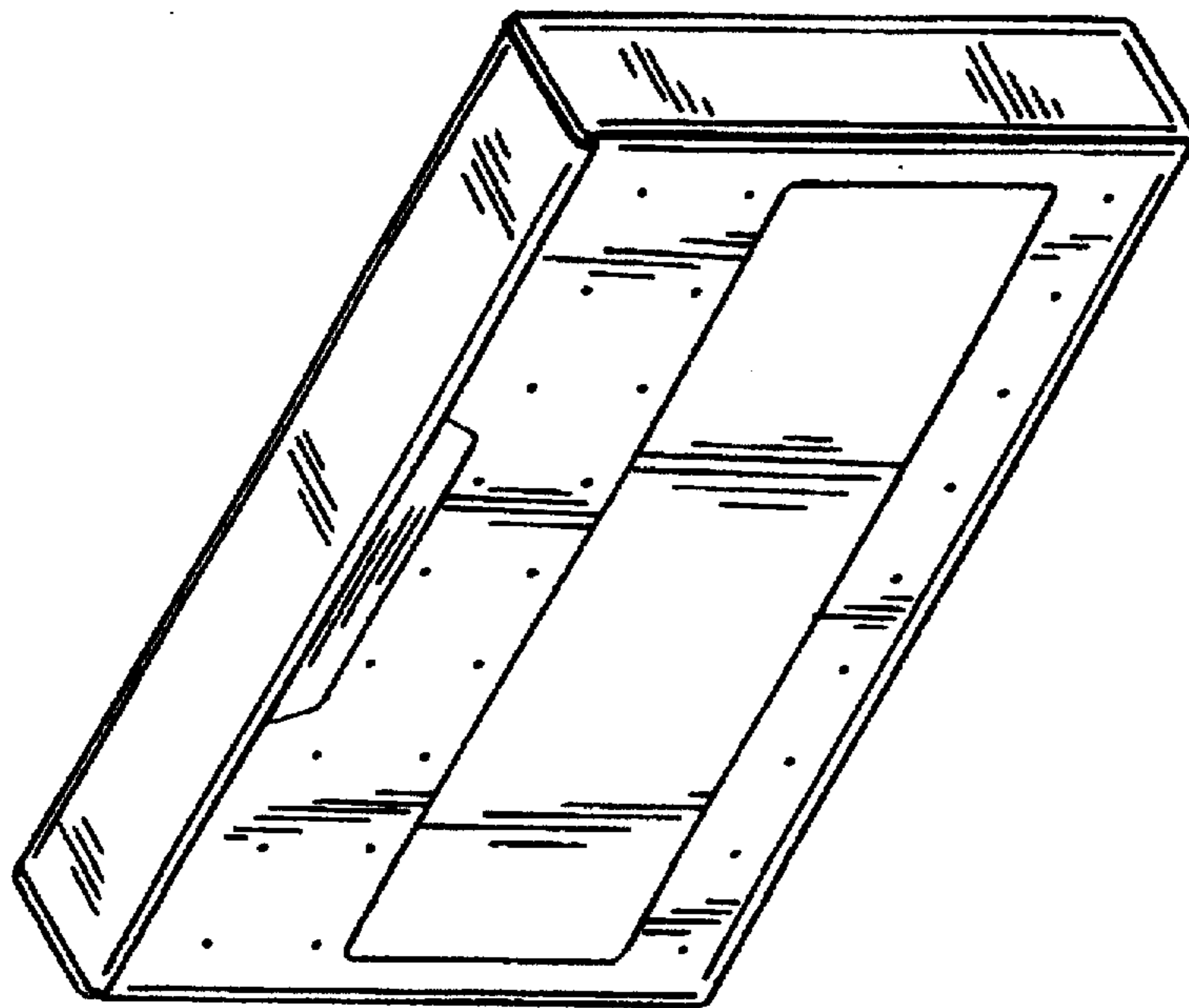


FIG. 11



FIG. 12

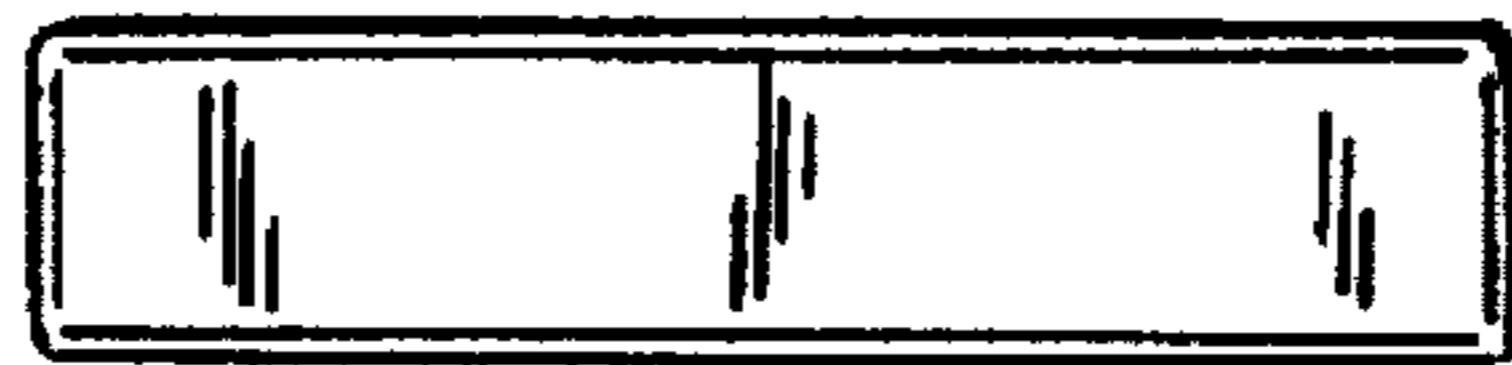


FIG. 13

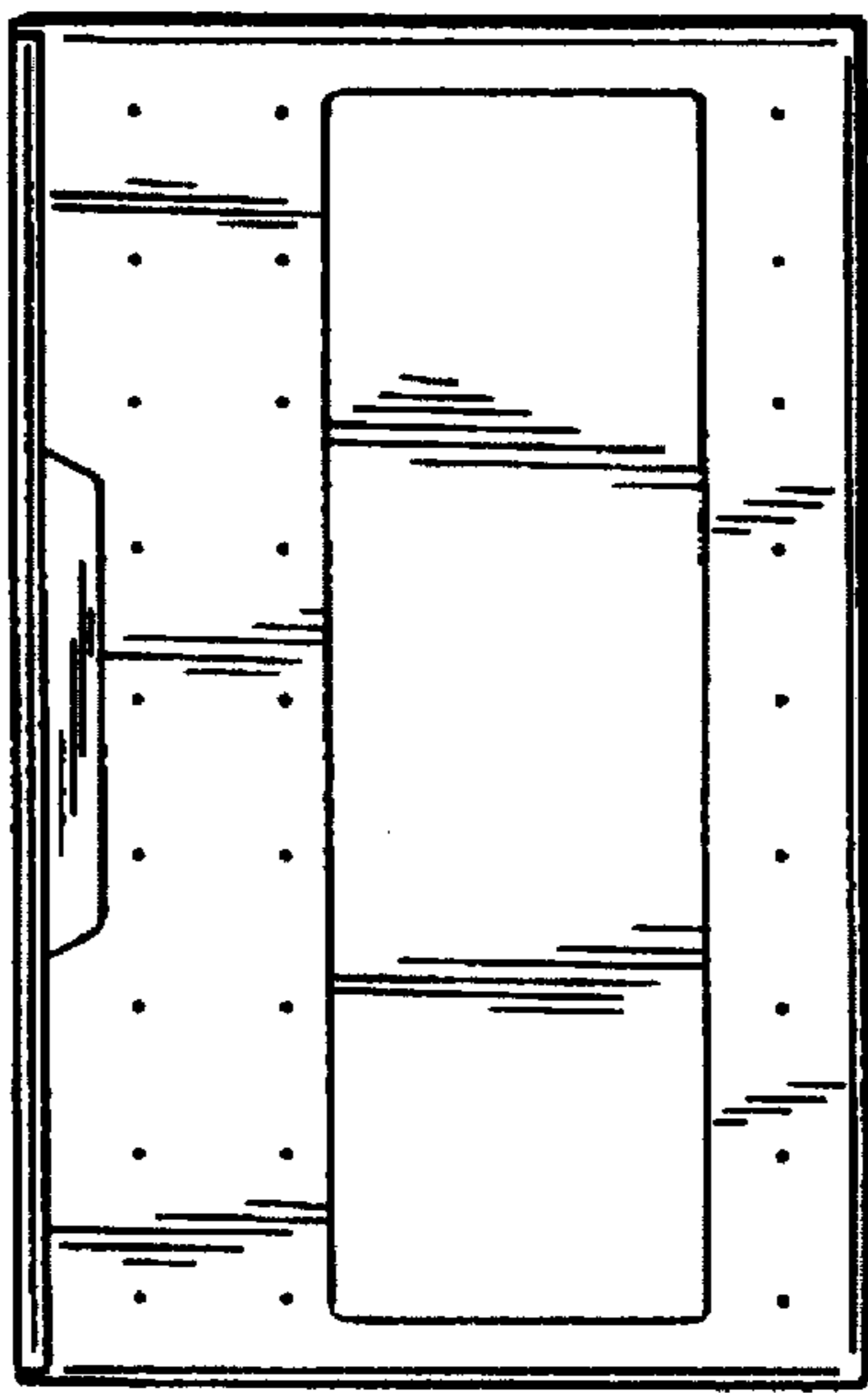


FIG. 15



FIG. 16

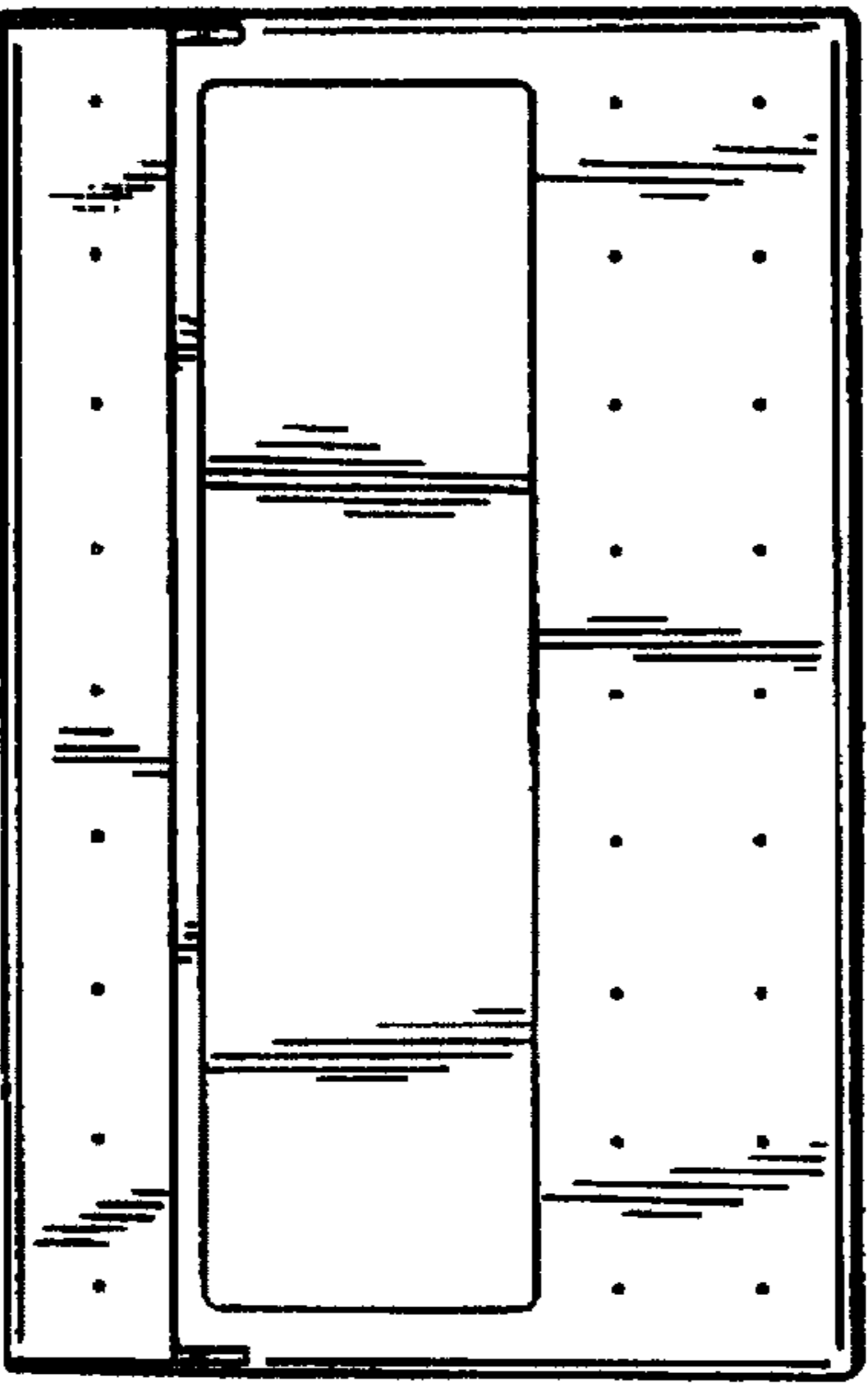


FIG. 14

