



US00D384848S

United States Patent [19]
von Buelow et al.

[11] **Patent Number: Des. 384,848**
[45] **Date of Patent: **Oct. 14, 1997**

[54] **SHOWER ACCESSORY**

[75] **Inventors: John von Buelow, Oak Park; Ernesto Victor Quinteros, North Hollywood; John Kevin Clay, Woodland Hills, all of Calif.**

[73] **Assignee: Interbath, Inc., City of Industry, Calif.**

[**] **Term: 14 Years**

[21] **Appl. No.: 58,370**

[22] **Filed: Aug. 12, 1996**

Related U.S. Application Data

- [62] Division of Ser. No. 46,710, Oct. 26, 1995.
- [51] **LOC (6) Cl. 07-07**
- [52] **U.S. Cl. D6/540; D6/524**
- [58] **Field of Search D6/524-525, 536-540; 211/71, 86, 87, 88, 90, 126, 134, 181; 248/200, 205.1, 218.4**

[56] **References Cited**

U.S. PATENT DOCUMENTS

- D. 293,183 12/1987 Aaron D6/525
- D. 316,646 5/1991 Cunningham D6/525

- D. 327,596 7/1992 Emery D6/540
- 4,948,079 8/1990 Baeta D6/540 X
- 5,377,367 1/1995 Bischoff D6/540 X

OTHER PUBLICATIONS

Williams Sonoma Hold Everything Catalogue p. 20. Bathtub rack assembly.

Primary Examiner—Brian N. Vinson
Attorney, Agent, or Firm—Graham & James LLP

[57] **CLAIM**

The ornamental design for a shower accessory, as shown and described.

DESCRIPTION

FIG. 1 is a top, front, and right side perspective view of a shower accessory showing our new design, the broken-line disclosure being for illustrative purposes only and forming no part of the claimed design;

FIG. 2 is left side elevational view thereof, the right side being a mirror image of that shown;

FIG. 3 is a top plan view thereof;

FIG. 4 is a front elevational view thereof;

FIG. 5 is a bottom plan view thereof; and,

FIG. 6 is a rear elevational view thereof.

1 Claim, 3 Drawing Sheets

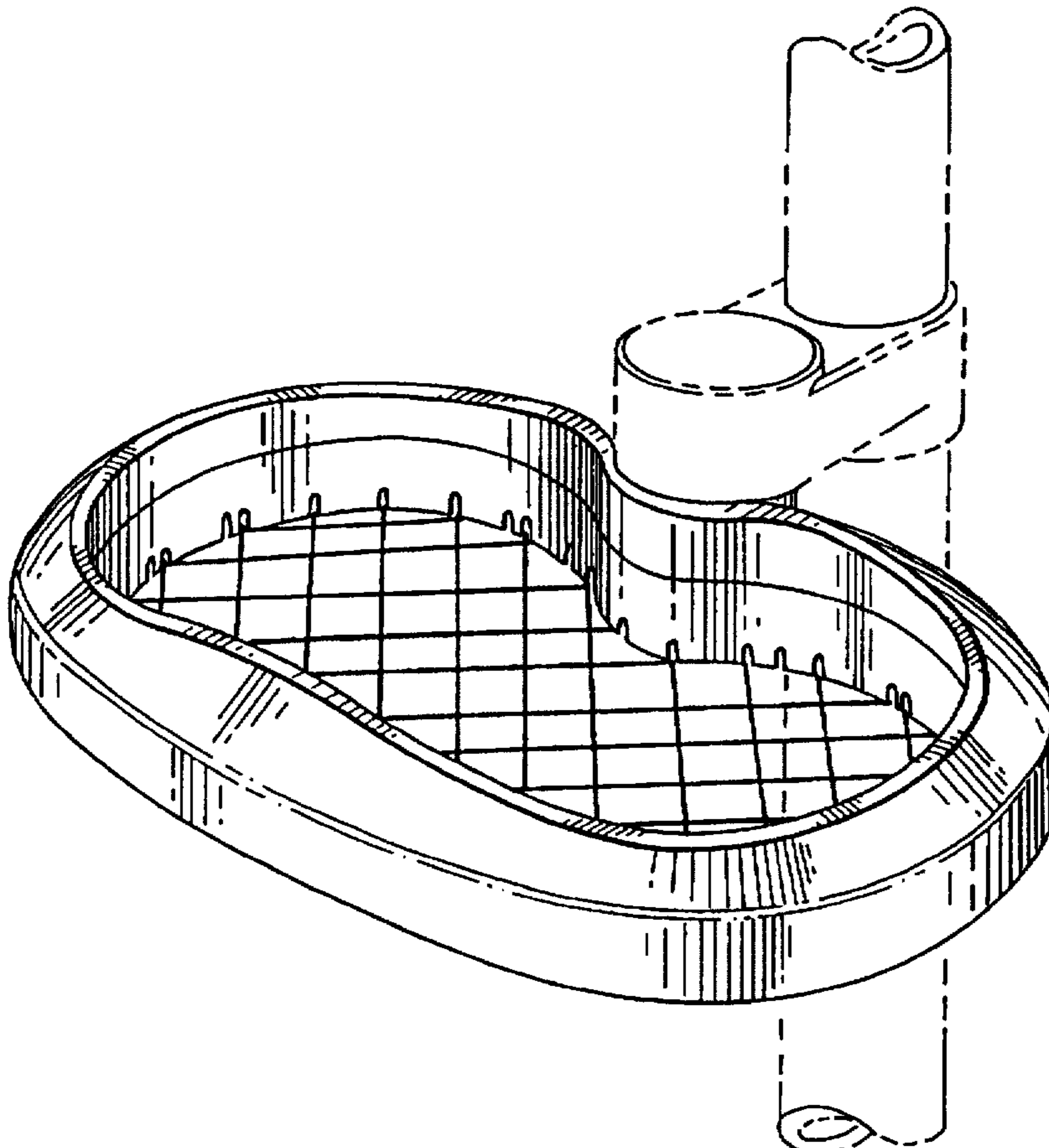


FIG. 1

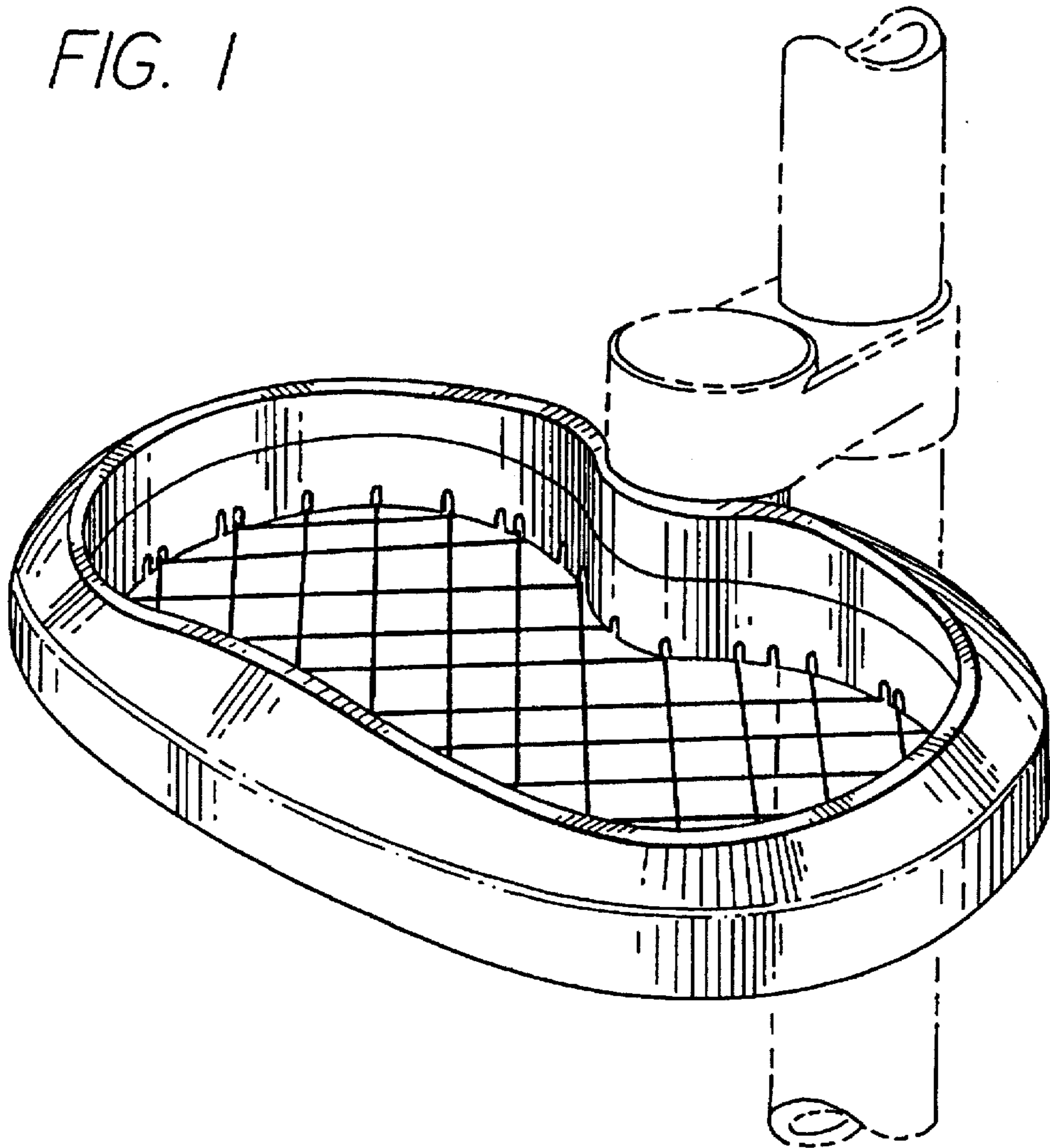


FIG. 2

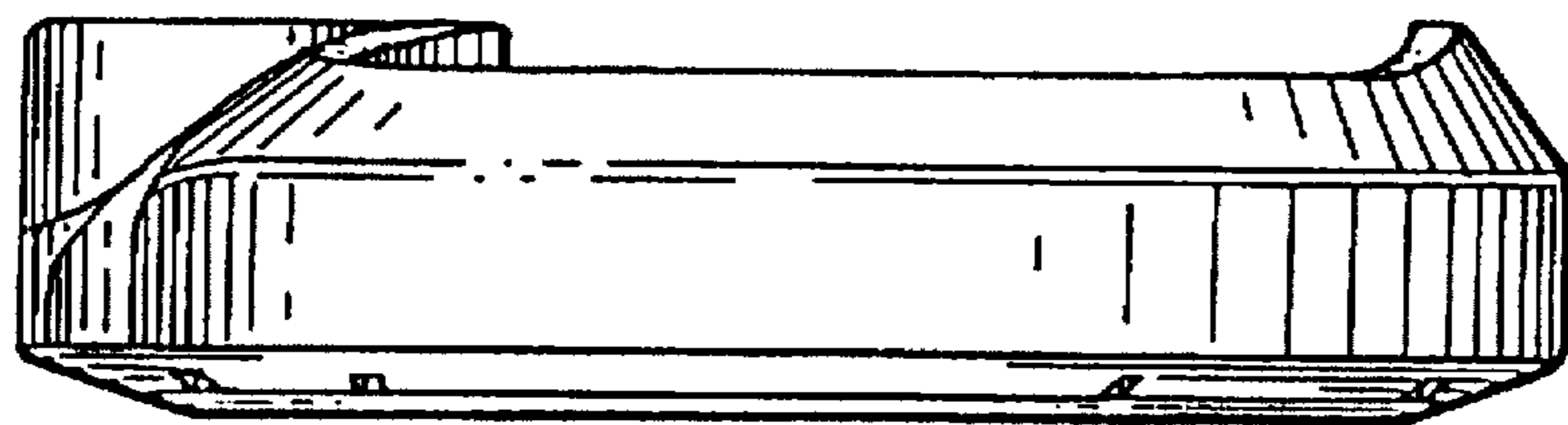


FIG. 3

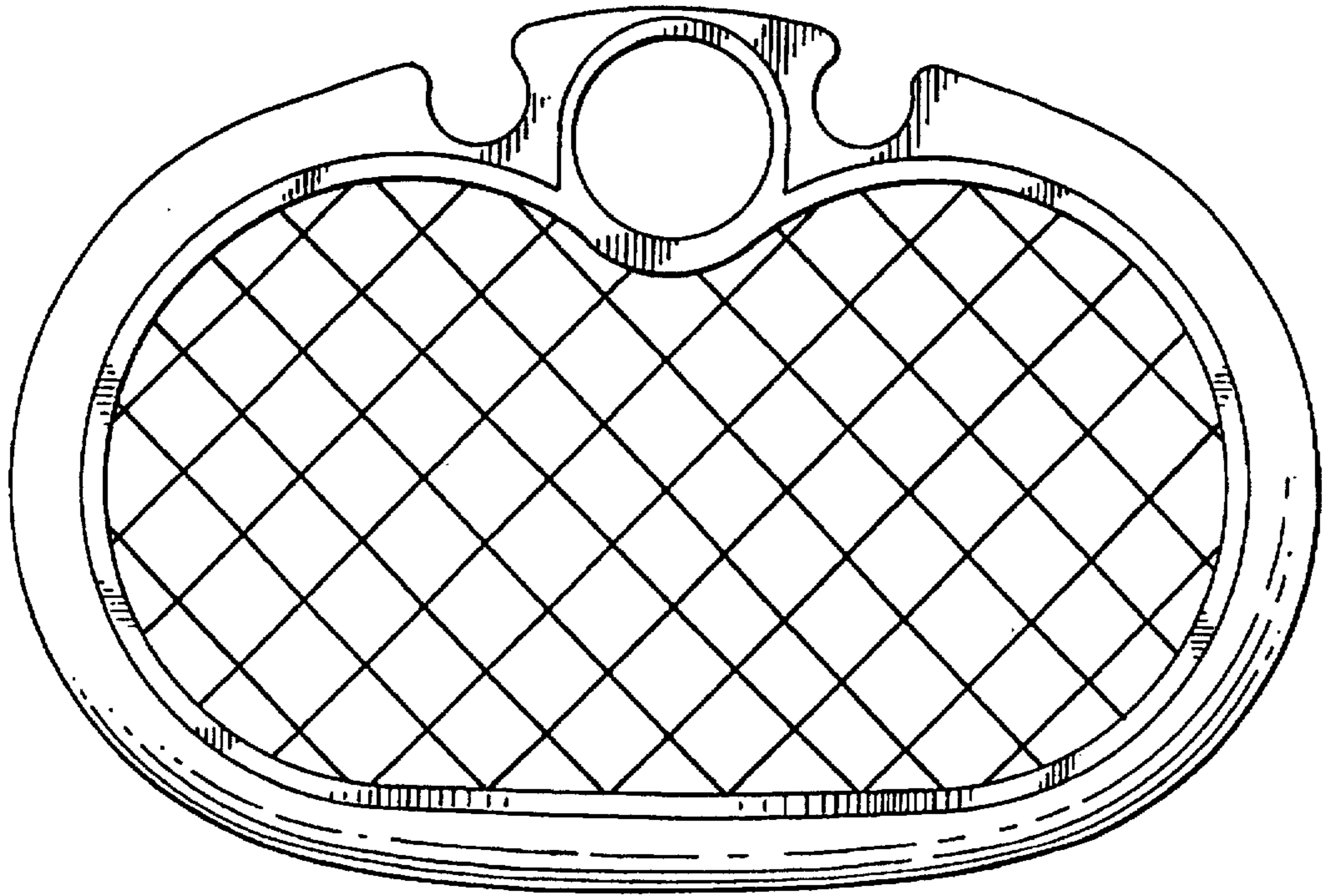


FIG. 4

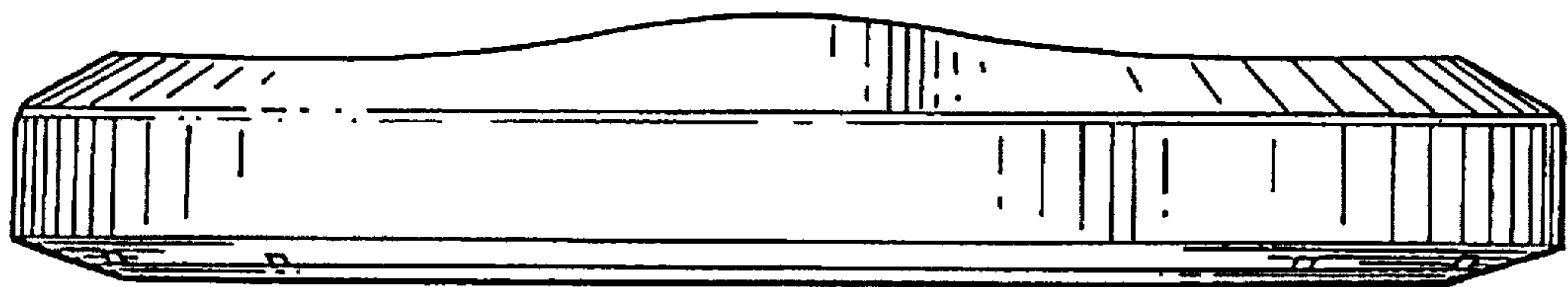


FIG. 5

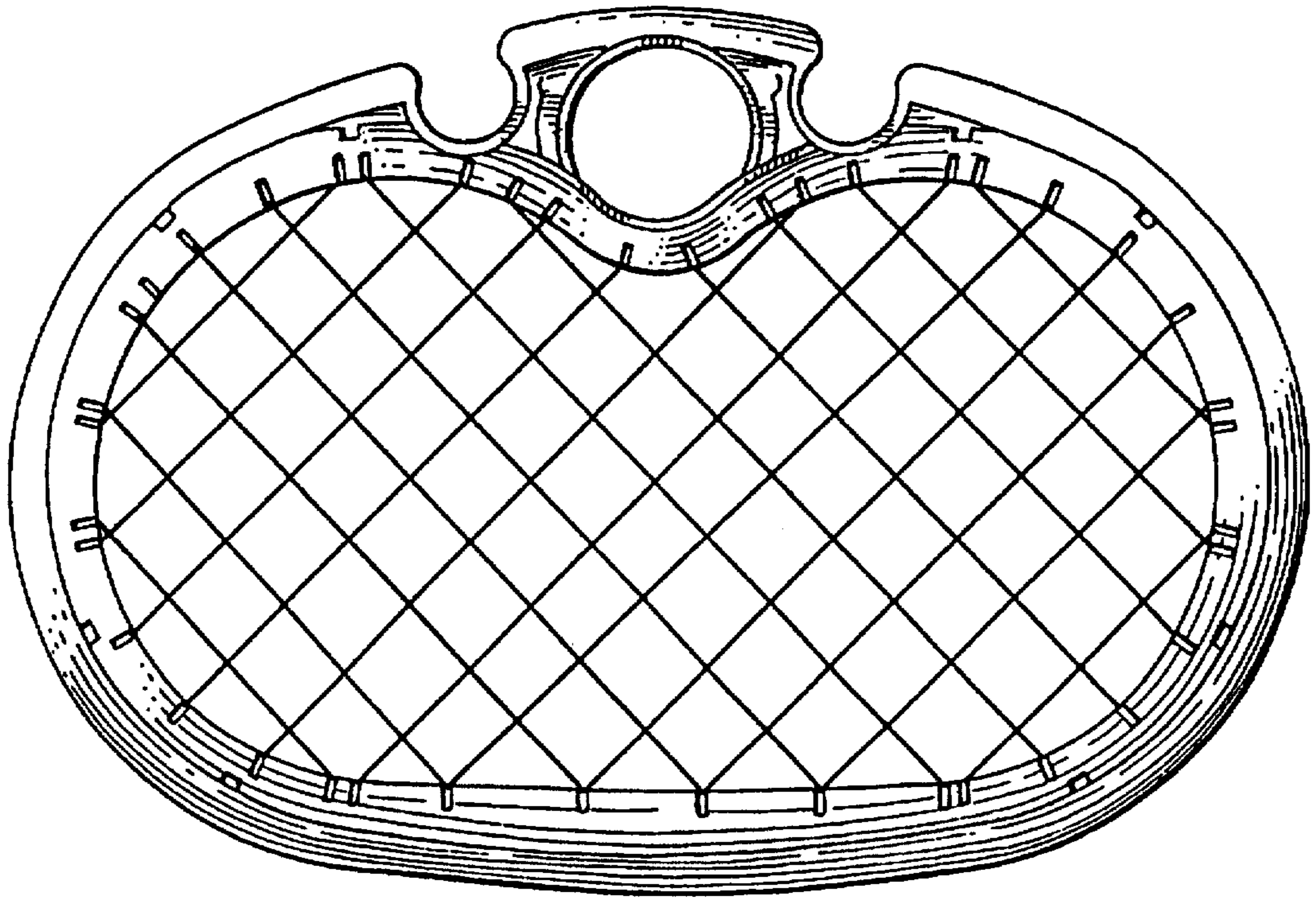


FIG. 6

