



US00D384845S

United States Patent [19]
Zaidman

[11] **Patent Number:** **Des. 384,845**

[45] **Date of Patent:** ****Oct. 14, 1997**

[54] **HEADBOARD**

D. 176,276 12/1955 McMurtrie D6/397
D. 249,420 9/1978 Mountain et al. D6/561

[76] **Inventor:** **Paul Zaidman, 772 Queenston Street,
Winnipeg, Canada**

Primary Examiner—Janice E. Seeger
Attorney, Agent, or Firm—Pollock, Vande Sande & Priddy

[**] **Term:** **14 Years**

[57] **CLAIM**

[21] **Appl. No.:** **58,718**

The ornamental design for a headboard, as shown and described.

[22] **Filed:** **Aug. 21, 1996**

[51] **LOC (6) Cl.** **06-04**

DESCRIPTION

[52] **U.S. Cl.** **D6/505; D6/384; D6/561;
D6/397**

FIG. 1 is a top view of a headboard showing my new design;
FIG. 2 is a front view thereof;

[58] **Field of Search** D6/382-385, 388-395,
D6/505-508, 560, 561, 396, 397, 436-438,
443, 446, 445, 447; 5/53.1, 280, 281, 2.1

FIG. 3 is a left side view thereof, the right side view
corresponding thereto; and,

FIG. 4 is a perspective view thereof.

[56] **References Cited**

U.S. PATENT DOCUMENTS

D. 150,377 7/1948 Spence D5/560

1 Claim, 2 Drawing Sheets

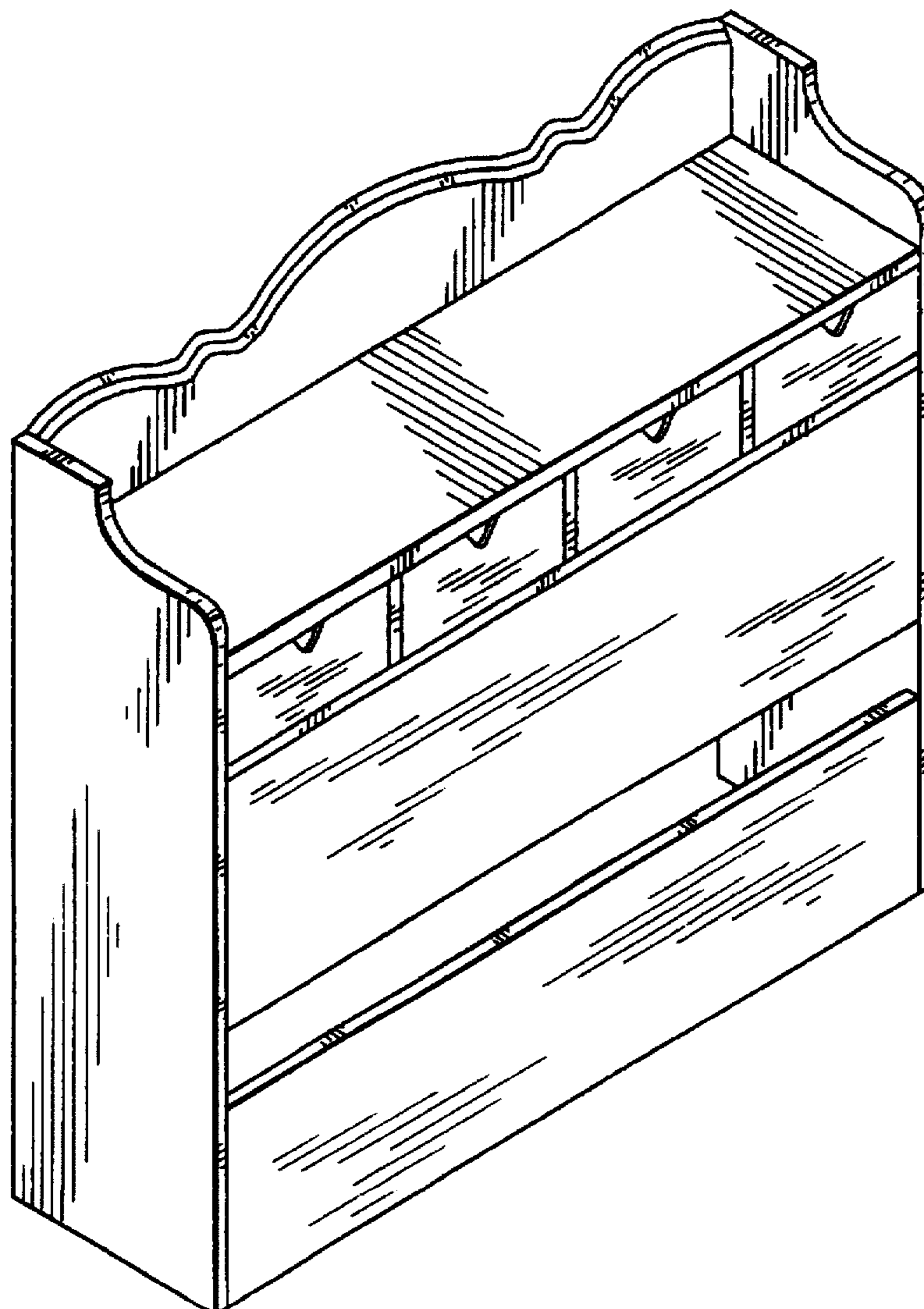




FIG 1

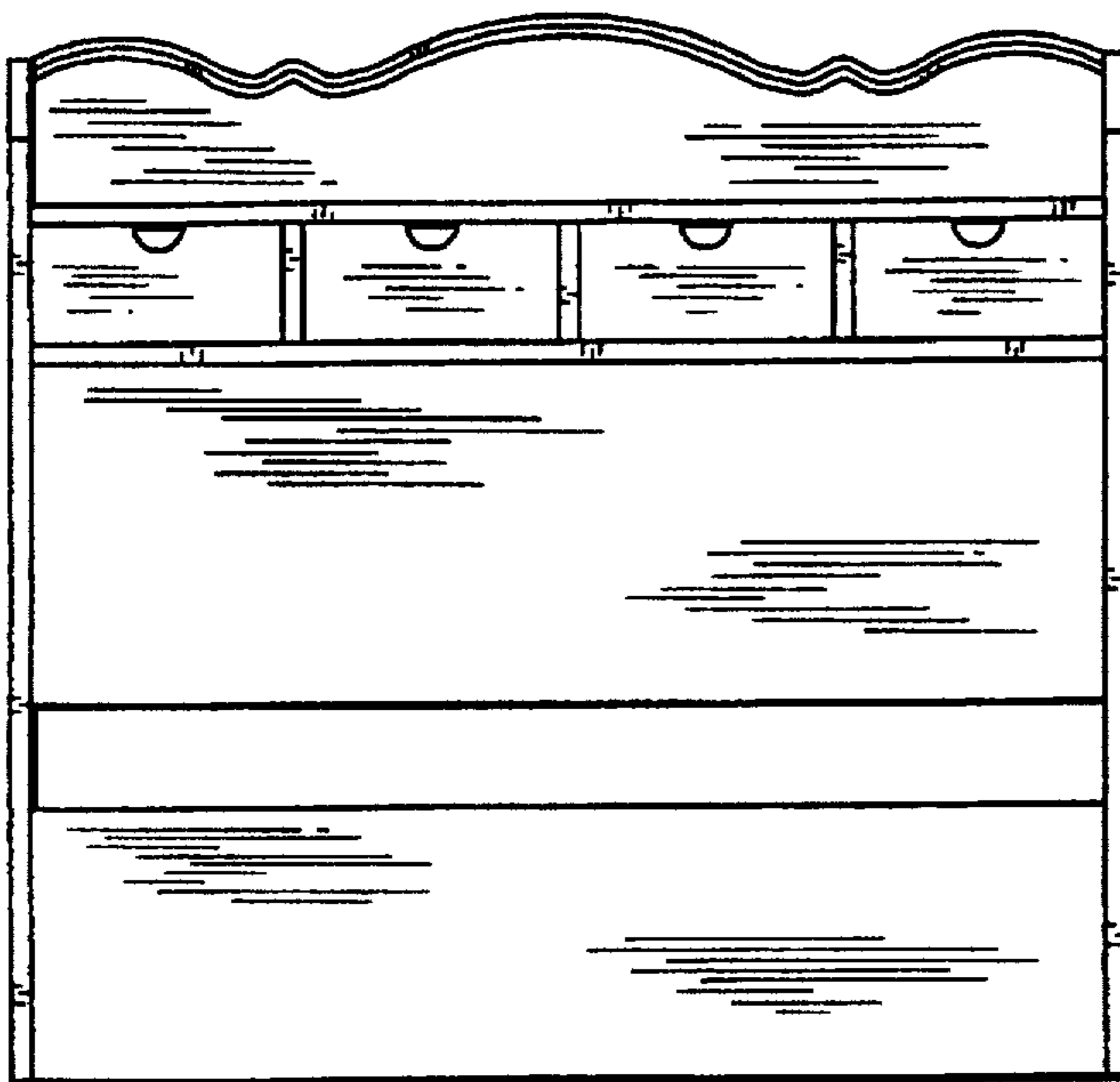


FIG 2

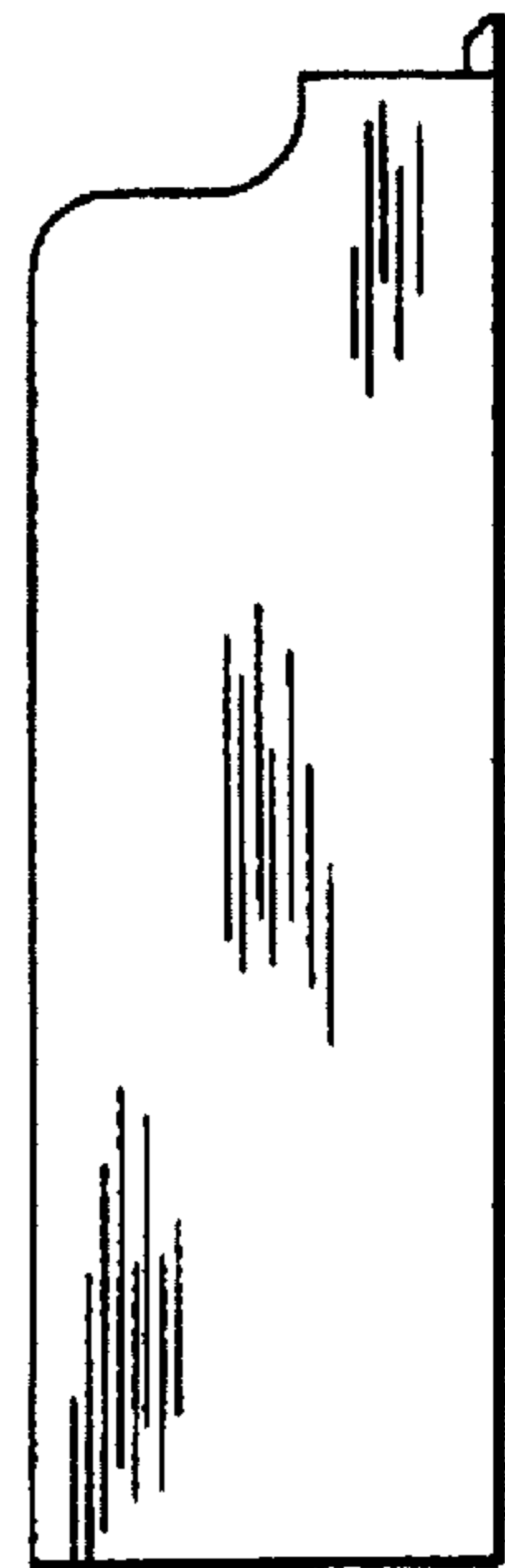


FIG 3

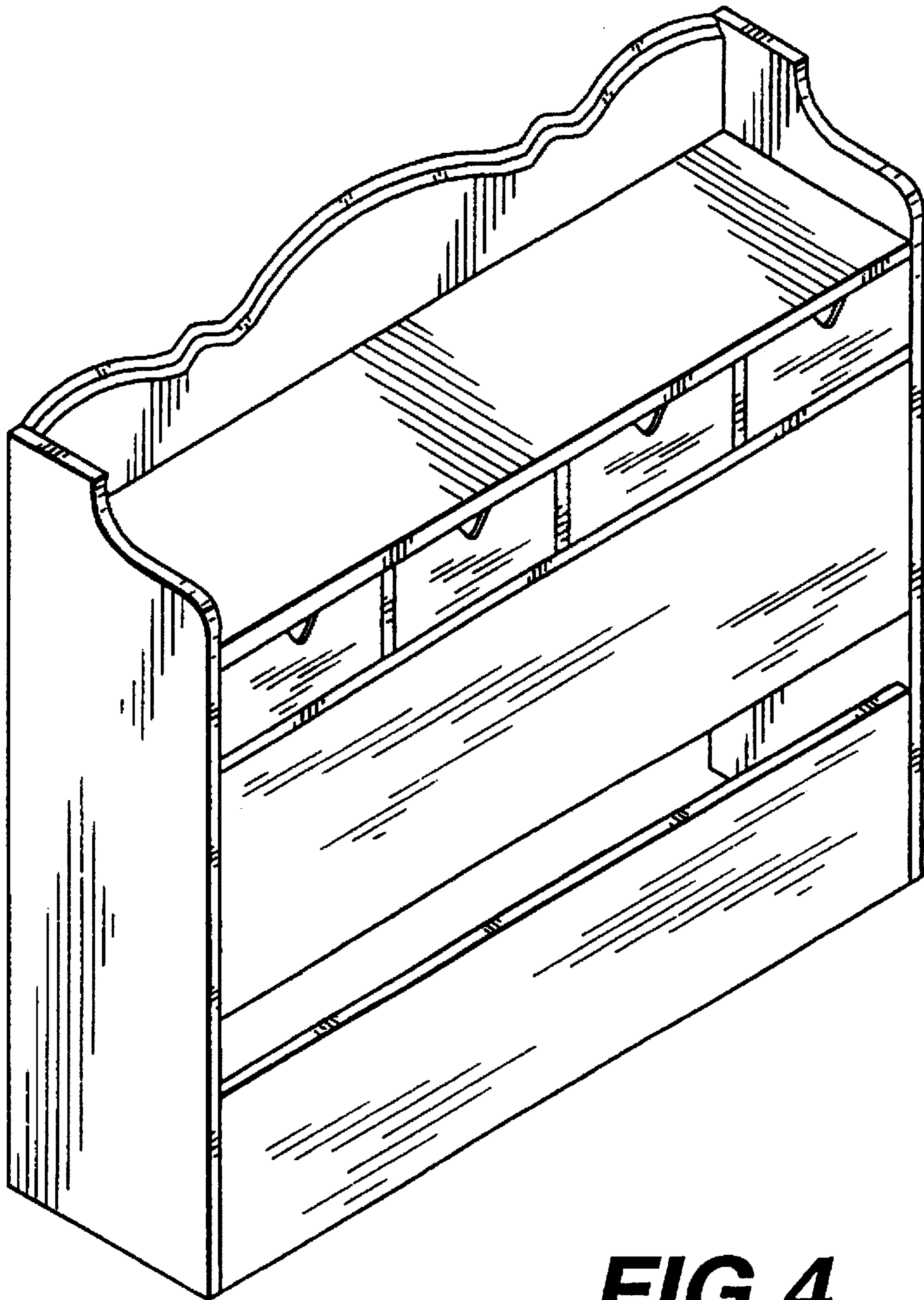


FIG 4