



US00D384844S

United States Patent [19] Zaidman

[11] Patent Number: Des. 384,844

[45] Date of Patent: **Oct. 14, 1997

[54] **HEADBOARD**

[76] Inventor: **Paul Zaidman**, 772 Queenston Street,
Winnipeg MB, Canada

[**] Term: **14 Years**

[21] Appl. No.: **54,273**

[22] Filed: **May 10, 1996**

[51] LOC (6) Cl. **06-04**

[52] U.S. Cl. **D6/505; D6/384; D6/397**

[58] Field of Search **D6/382-385, 388-395,
D6/505-508, 396, 397, 436-438, 443, 445-447;
5/53.1, 280, 281, 2.1**

[56] **References Cited**

U.S. PATENT DOCUMENTS

- D. 168,800 2/1953 May D6/505 X
- D. 178,939 10/1956 Van Koert D6/397

- D. 184,711 3/1959 Carter D6/397
- D. 343,532 1/1994 Korch et al. D6/397
- D. 365,698 1/1996 Pauer et al. D6/397

OTHER PUBLICATIONS

Thomasville, County, p. 8, headboard at center.
Thomasville, Continuity, p. 8, at top.

Primary Examiner—Janice E. Seeger
Attorney, Agent, or Firm—Pollock, Vande Sande & Priddy

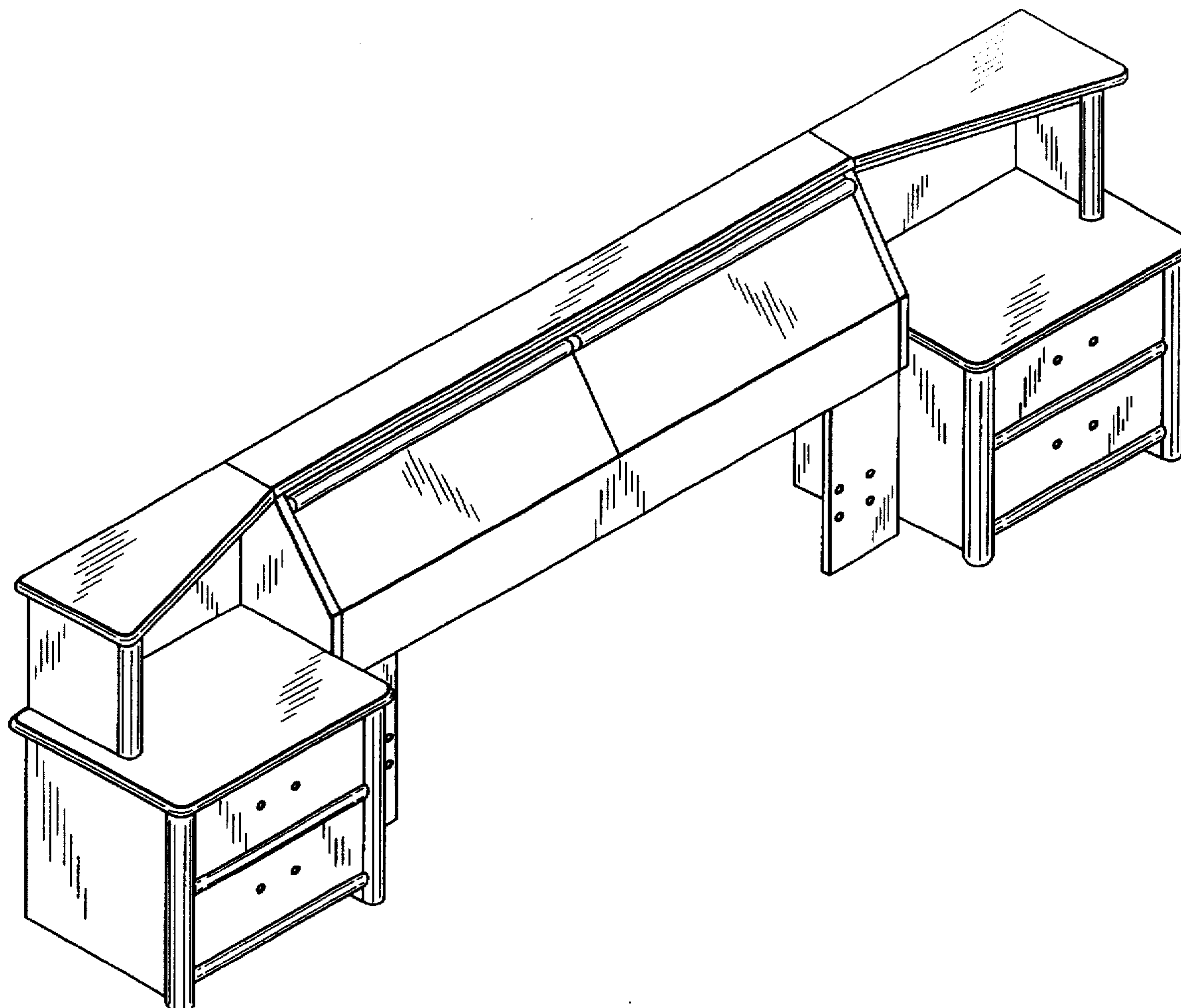
[57] **CLAIM**

The ornamental design for a headboard, as shown and described.

DESCRIPTION

FIG. 1 is a right front top perspective view of a headboard showing my new design; and, FIG. 2 is a left rear top view thereof.

1 Claim, 2 Drawing Sheets



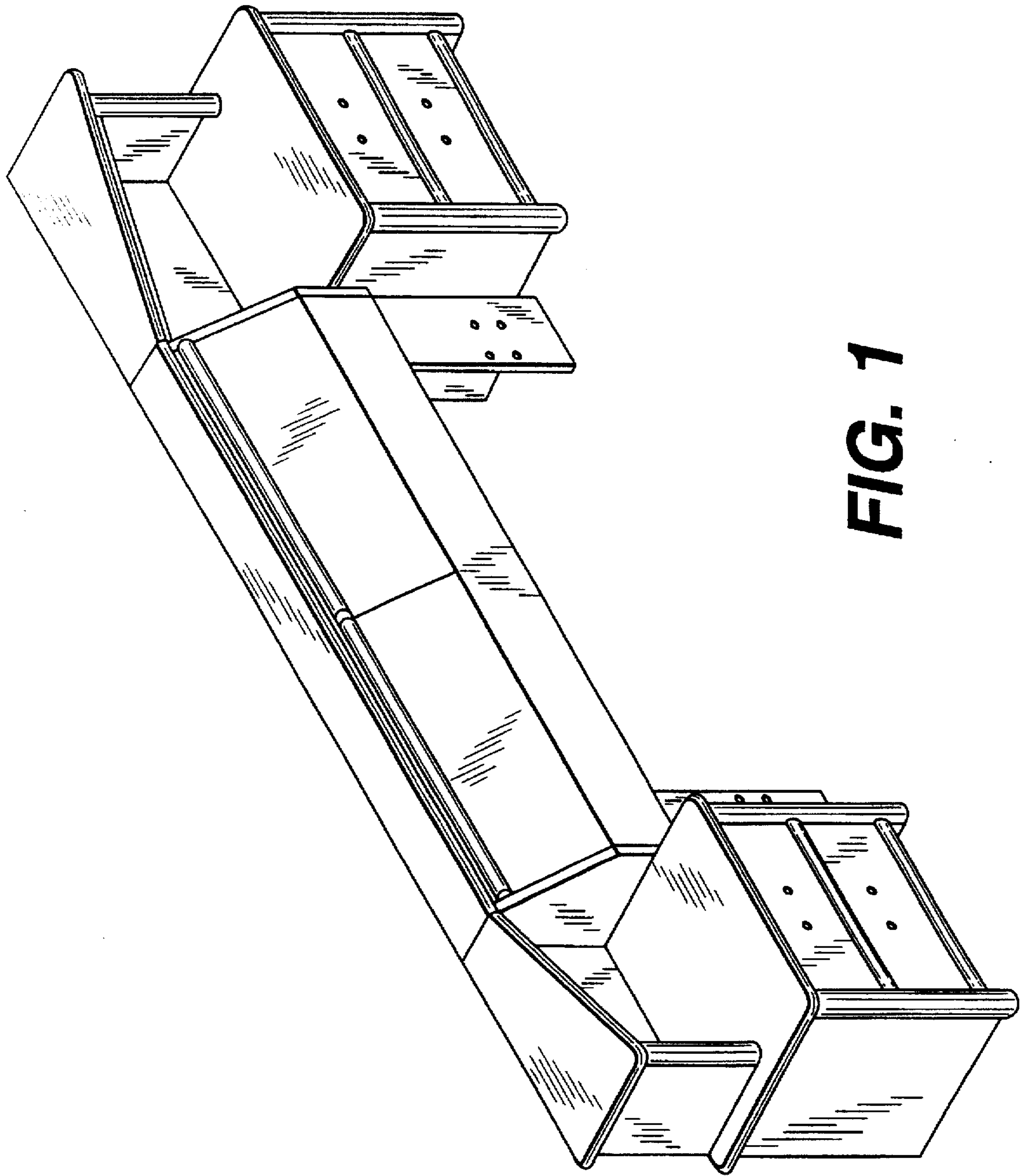


FIG. 1

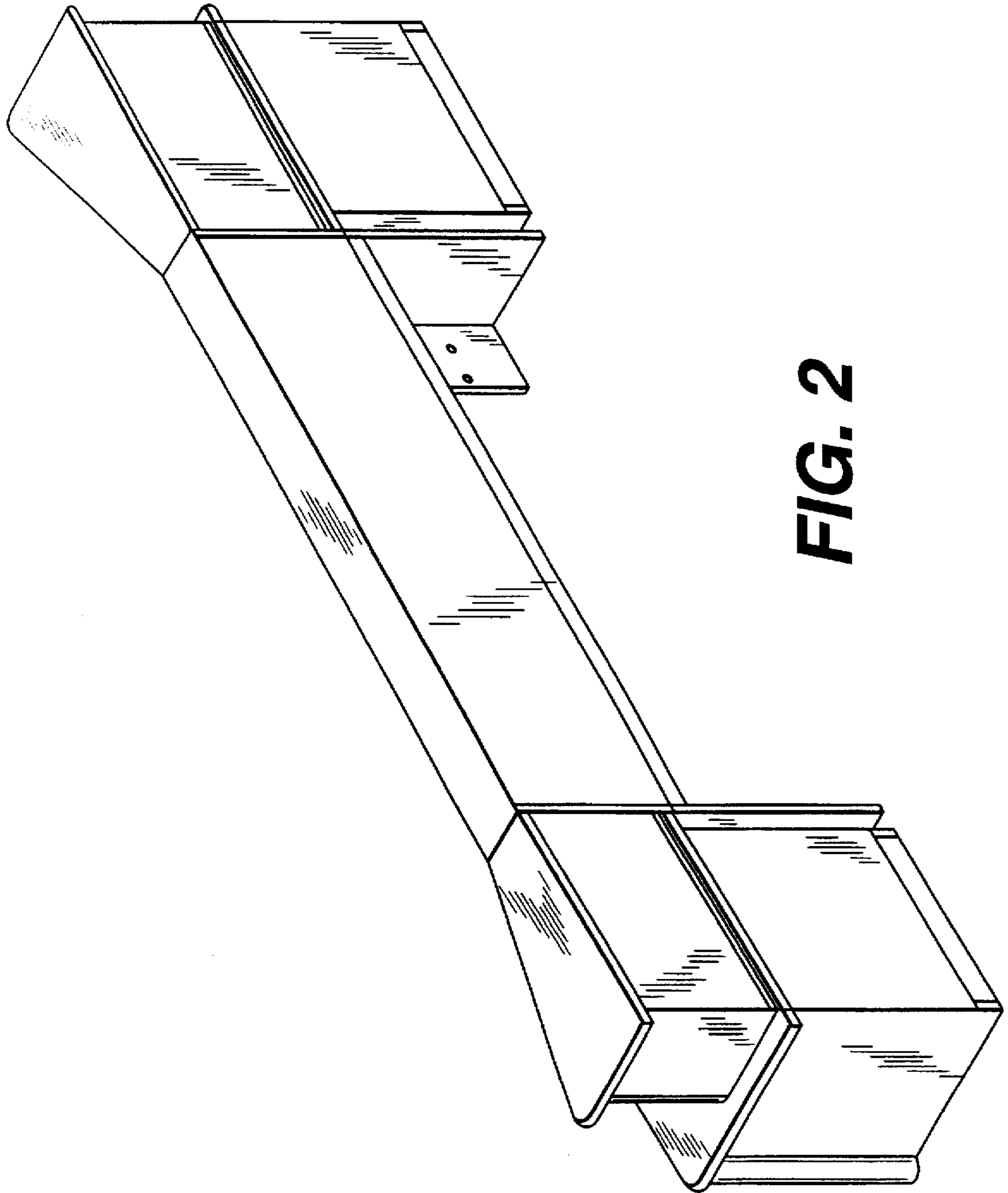


FIG. 2