



US00D384839S

United States Patent [19]
Muller

[11] **Patent Number: Des. 384,839**
[45] **Date of Patent: **Oct. 14, 1997**

[54] **TABLE**
[75] **Inventor: Carl A. Muller, Altadena, Calif.**
[73] **Assignee: Elite Manufacturing Corporation, Gardena, Calif.**
[**] **Term: 14 Years**

[21] **Appl. No.: 52,645**
[22] **Filed: Apr. 4, 1996**
[51] **LOC (6) Cl. 06-03**
[52] **U.S. Cl. D6/488; D6/488**
[58] **Field of Search D6/480-489, 495; 108/153, 156, 161, 184; 248/188, 188.1**

[56] **References Cited**

U.S. PATENT DOCUMENTS

D. 170,420 9/1953 Luhrs D6/487
D. 367,785 3/1996 Lewis D6/480

OTHER PUBLICATIONS

Bloomington, Sep. 24, 1994, p. 2, table at bottom.
Gunlocke Trident Table.
Ethan Allen c1992, p. 287, #3 at top right.

Primary Examiner—Janice E. Seeger
Attorney, Agent, or Firm—Stetina Brunda & Buyan

[57] **CLAIM**

The ornamental design for a table, as shown and described.

DESCRIPTION

FIG. 1 is a front top perspective view of the table of the present invention showing my new design;
FIG. 2 is a top plan view thereof;
FIG. 3 is a front elevational view thereof;
FIG. 4 is an end elevational view thereof;
FIG. 5 is a perspective view of a table, showing a second embodiment of my new design;
FIG. 6 is a top plan view thereof;
FIG. 7 is a front elevational view thereof;
FIG. 8 is a perspective view of a table, showing a third embodiment of my new design;
FIG. 9 is a top plan view thereof; and,
FIG. 10 is a side elevational view thereof.

1 Claim, 3 Drawing Sheets

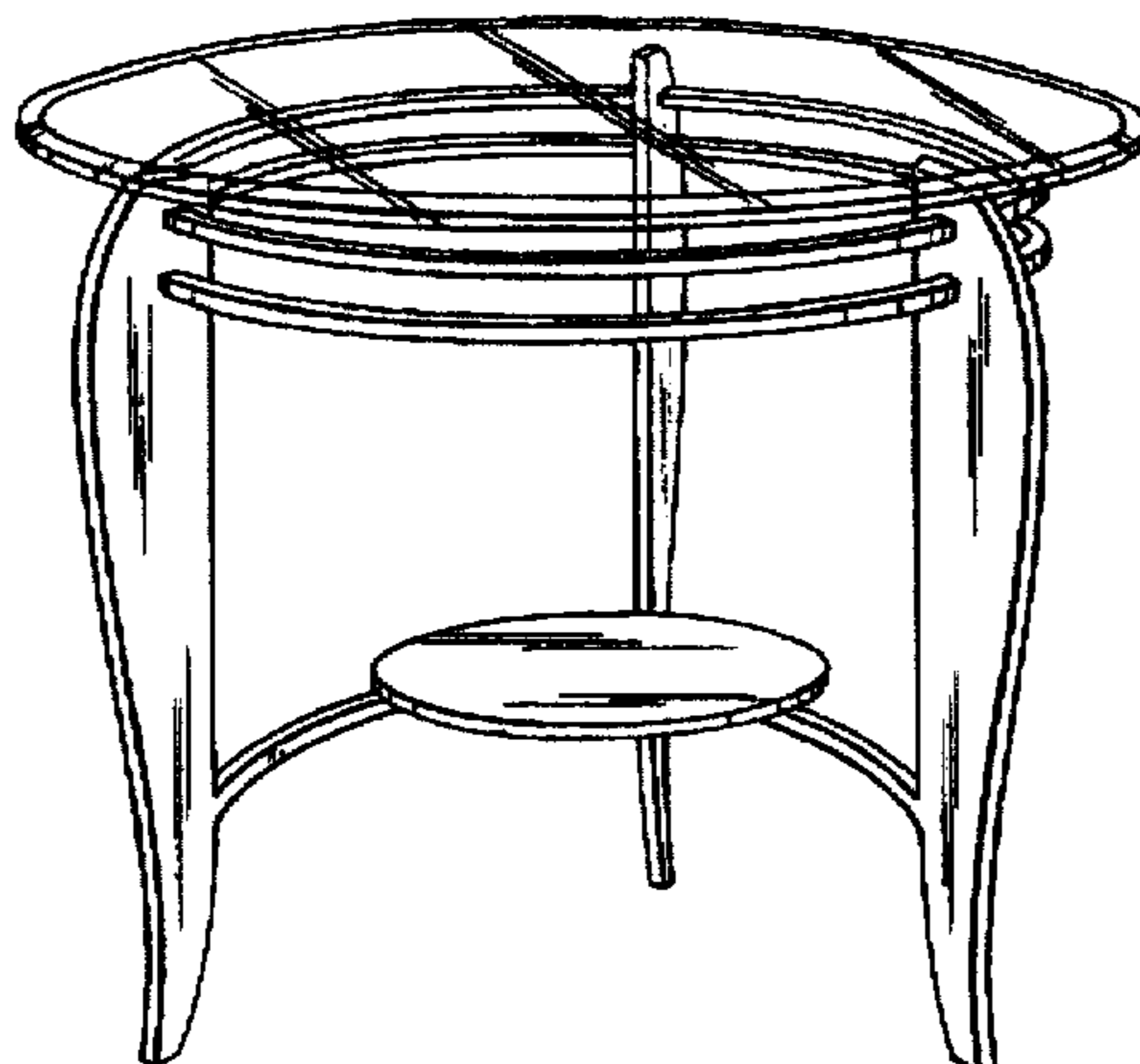
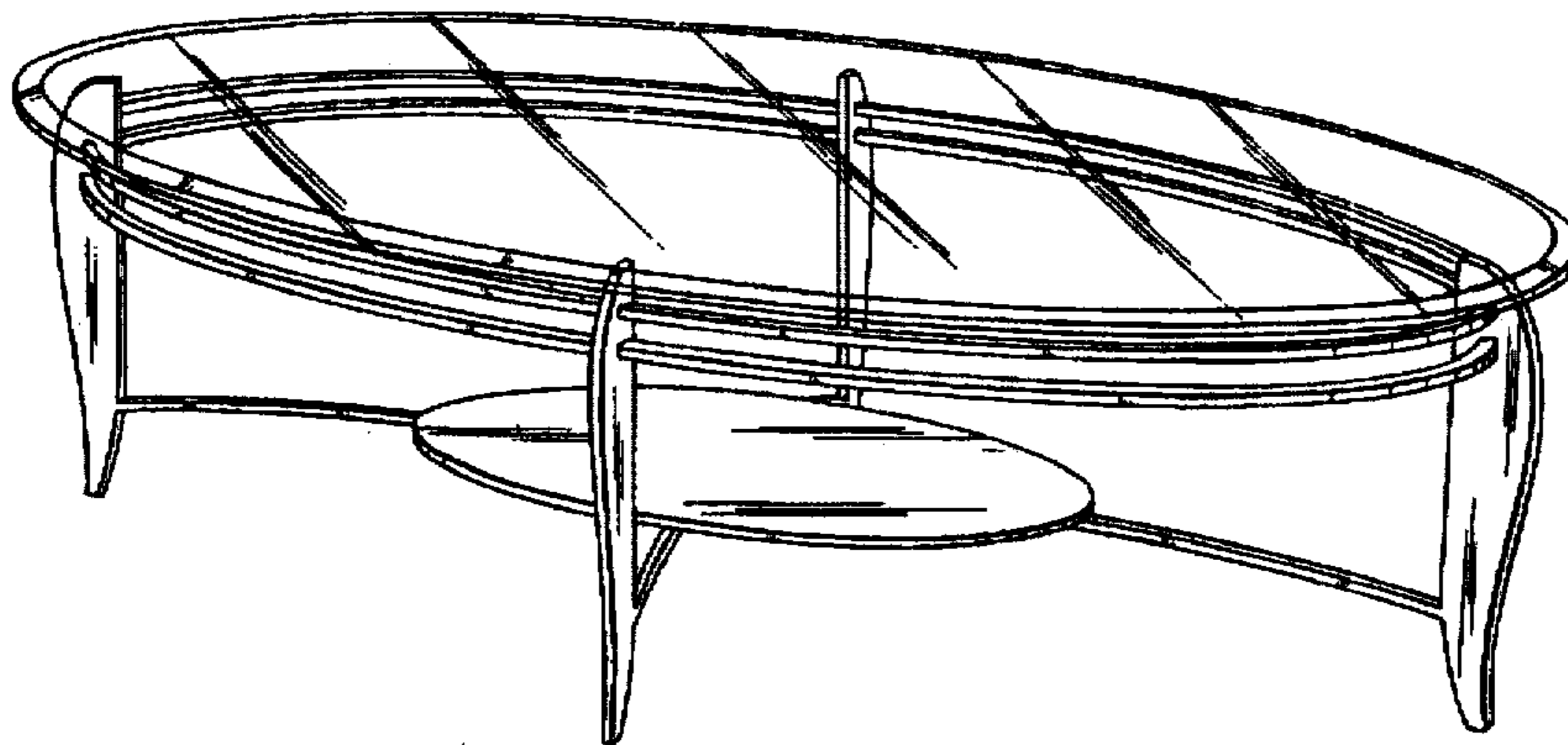


Fig. 1

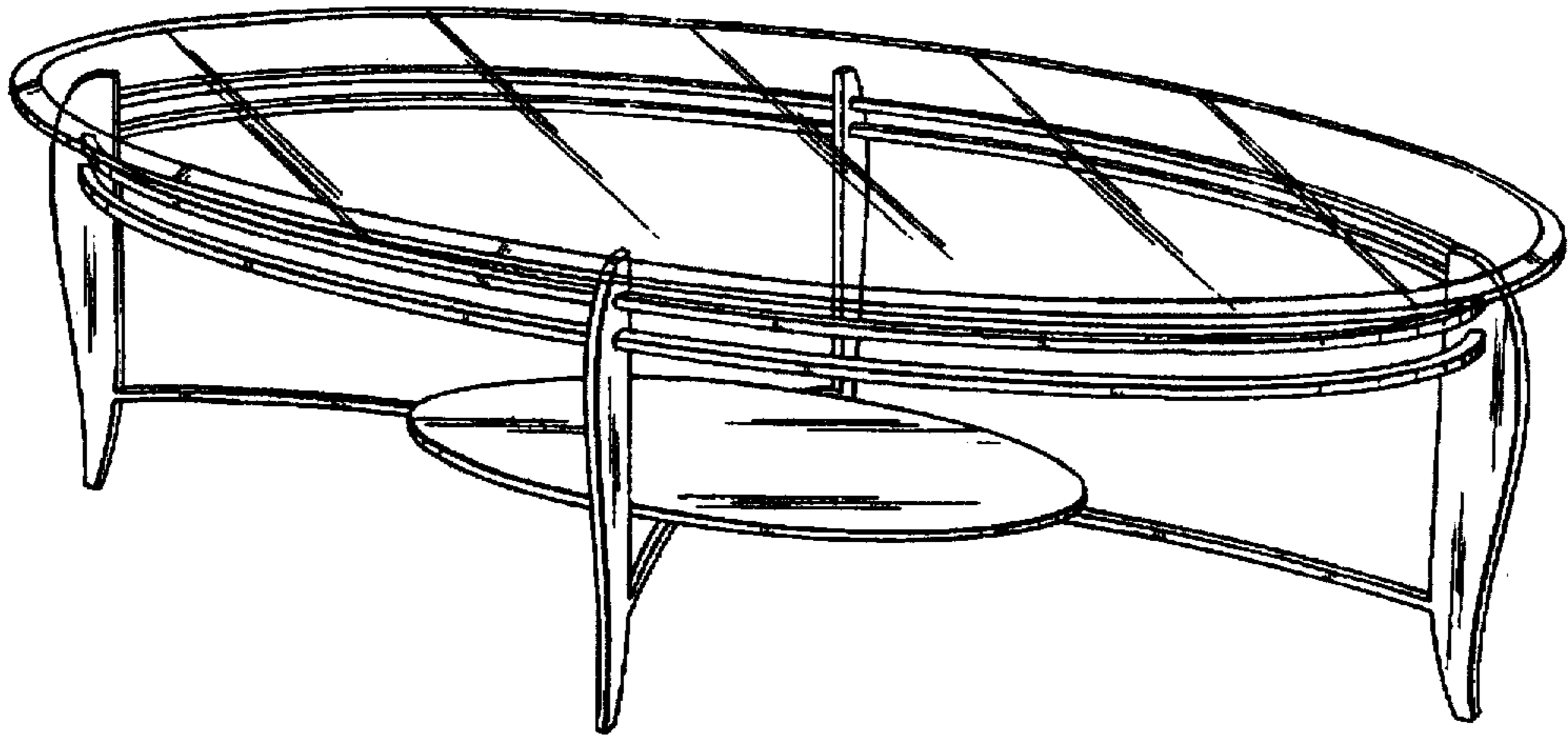


Fig. 2

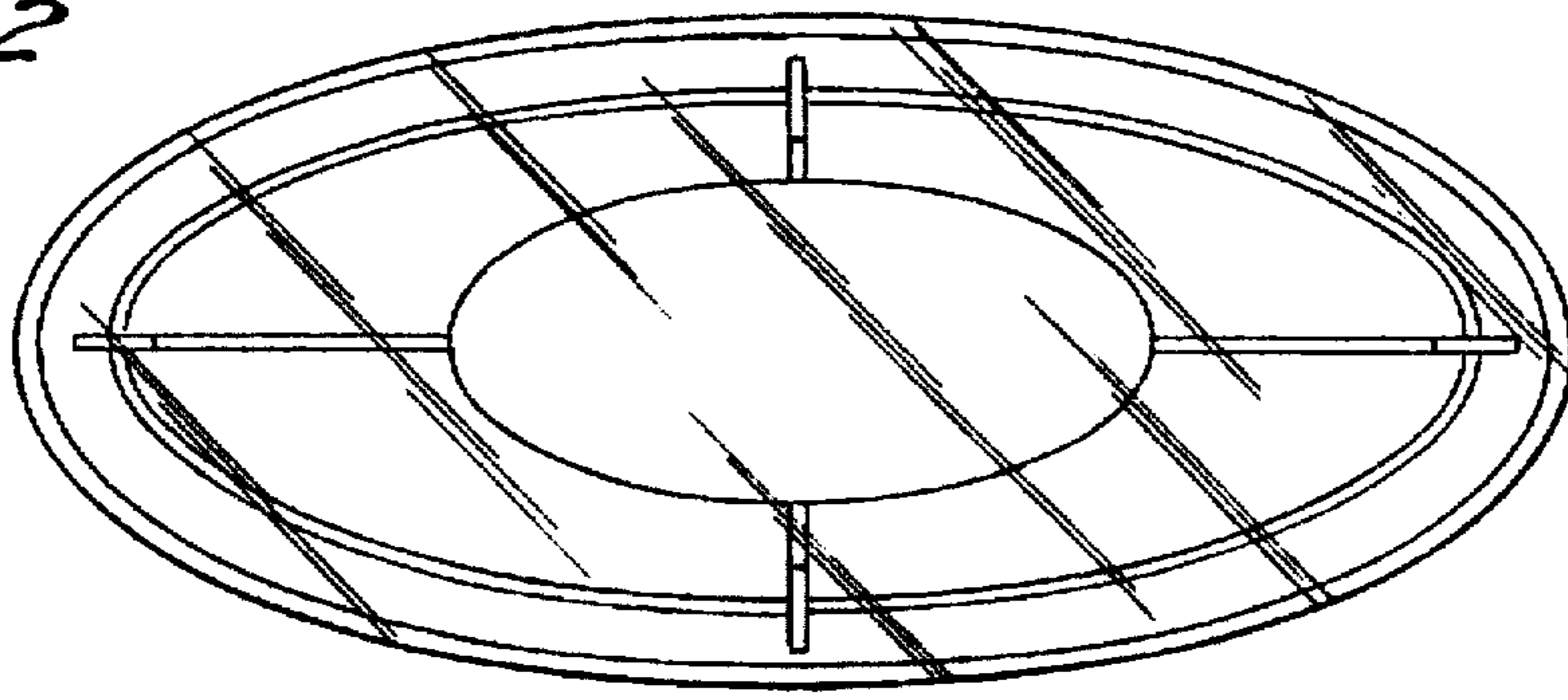


Fig. 3

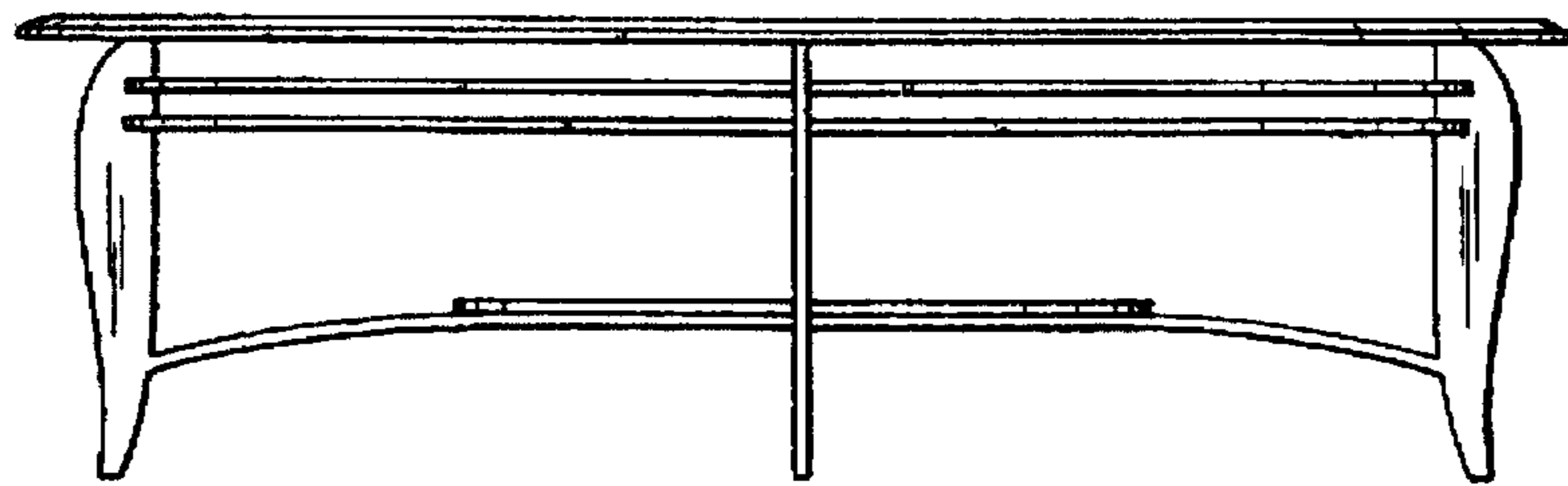


Fig. 4

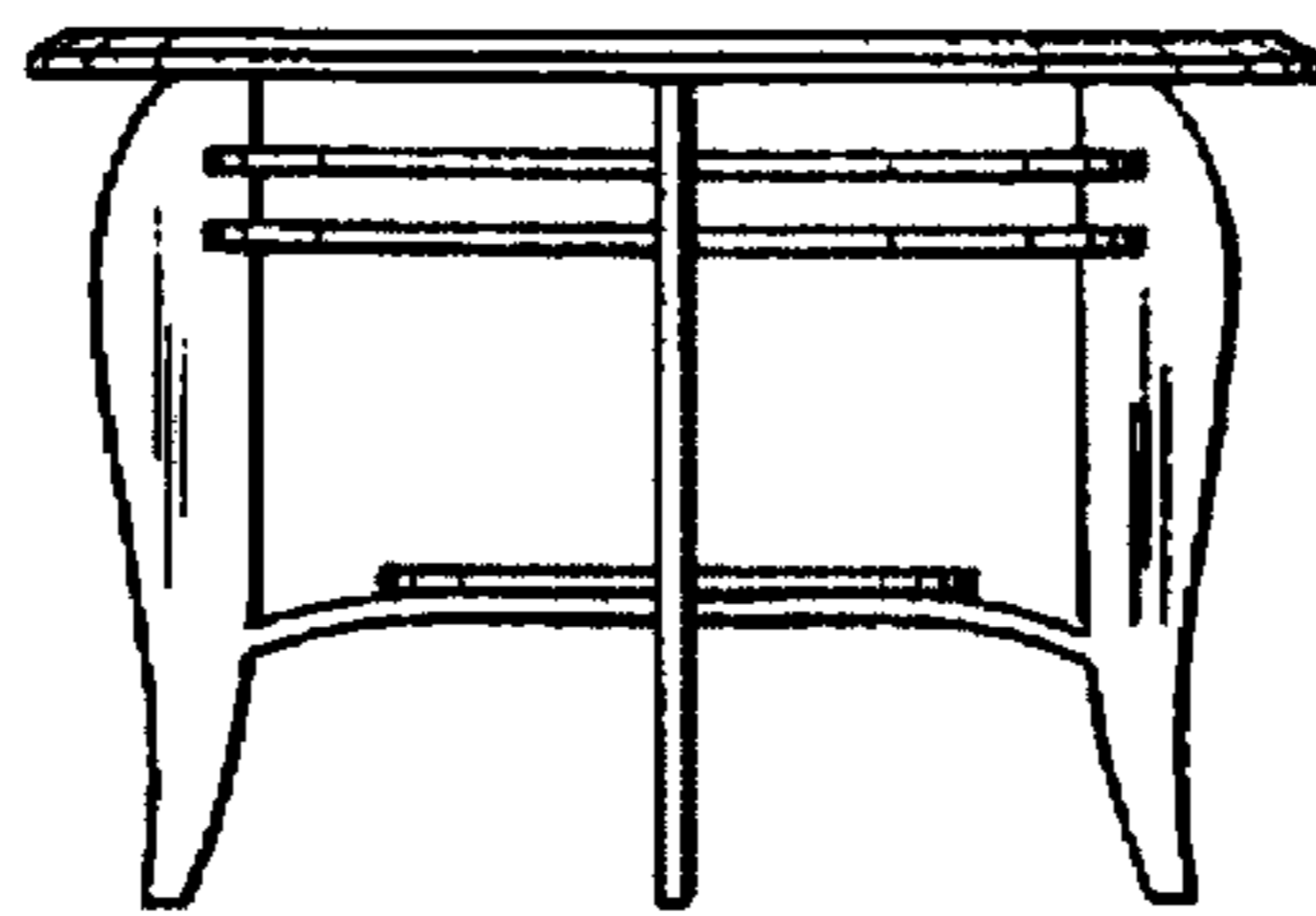


Fig. 5

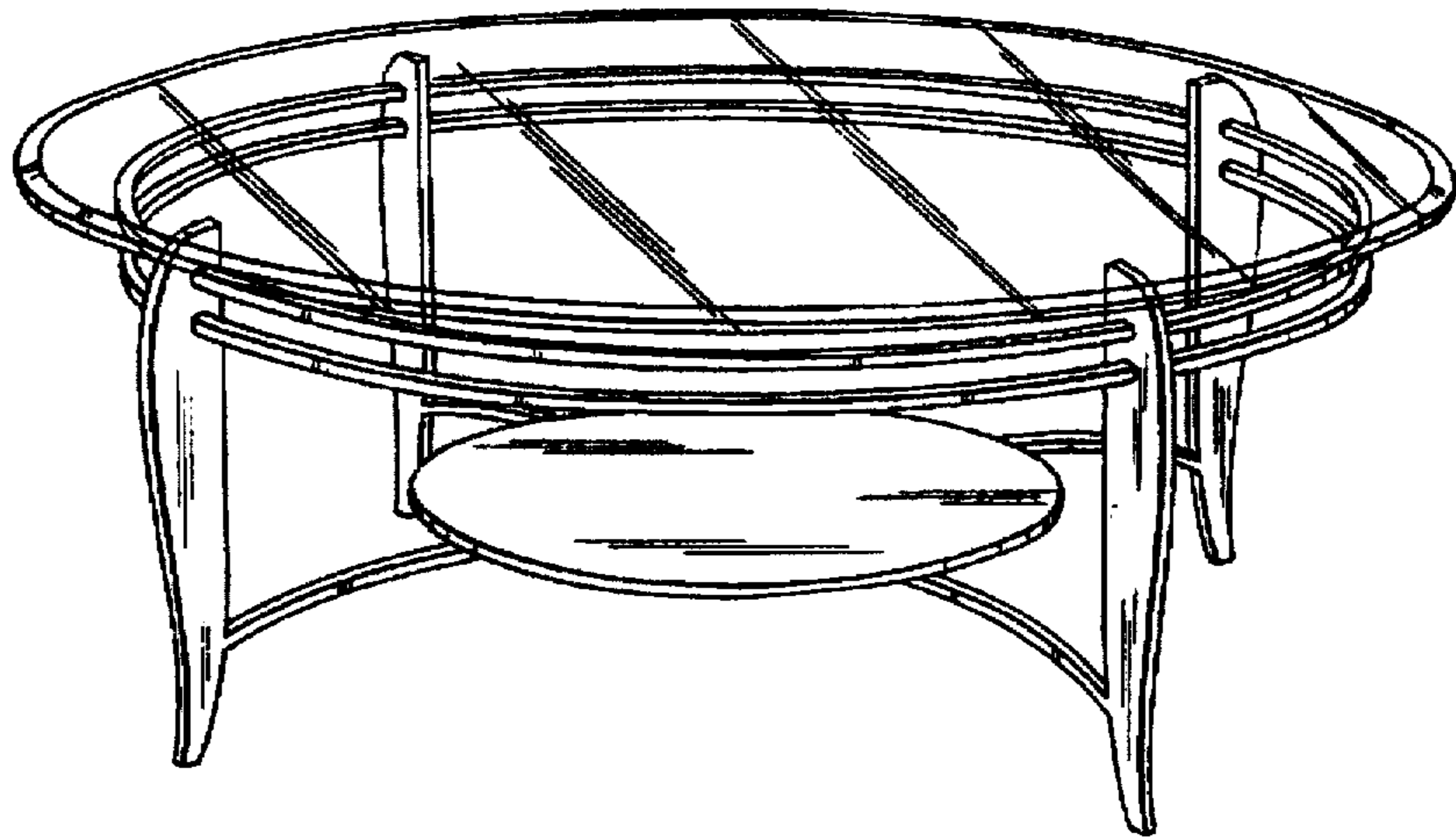


Fig. 6

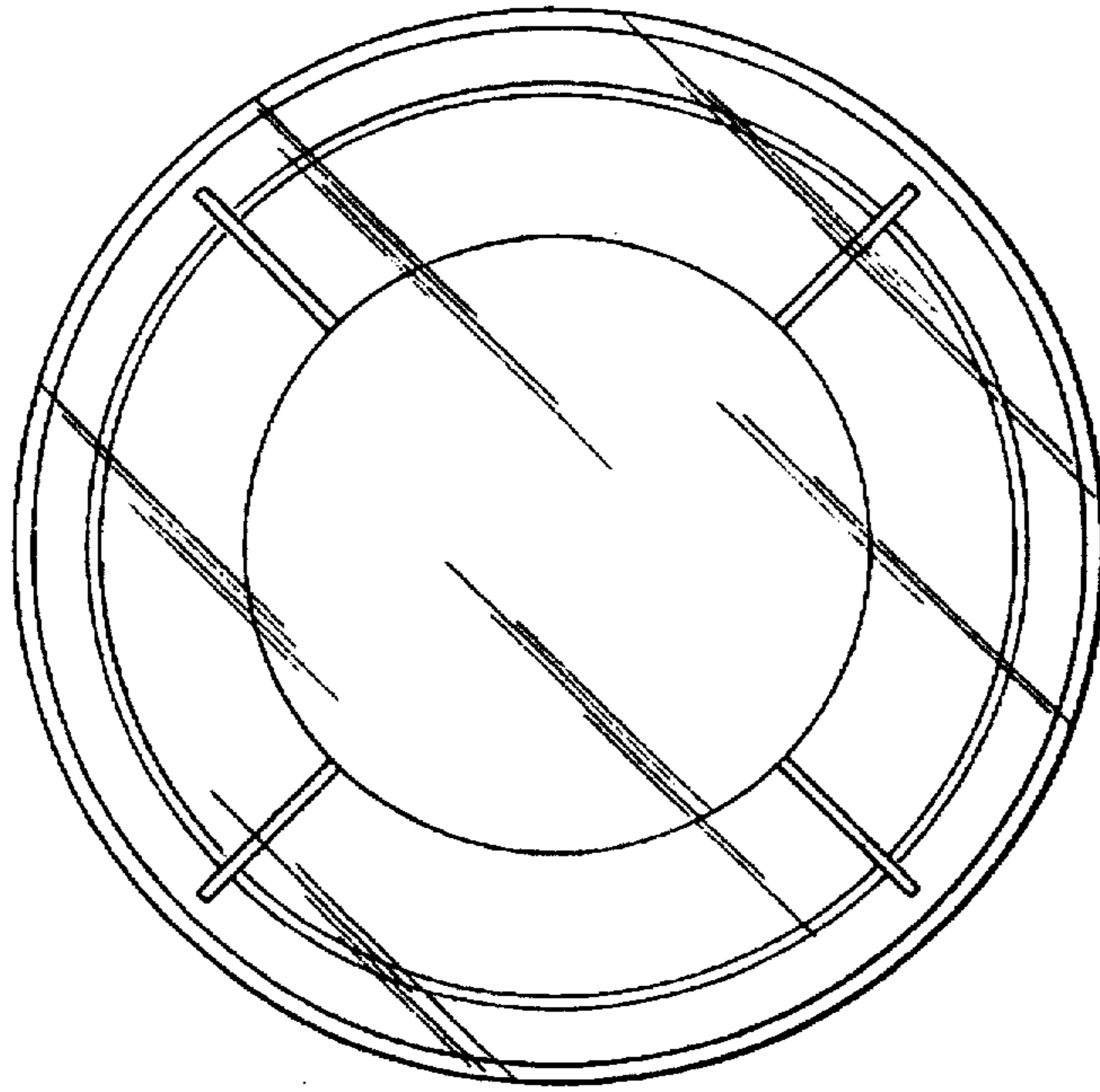


Fig. 7

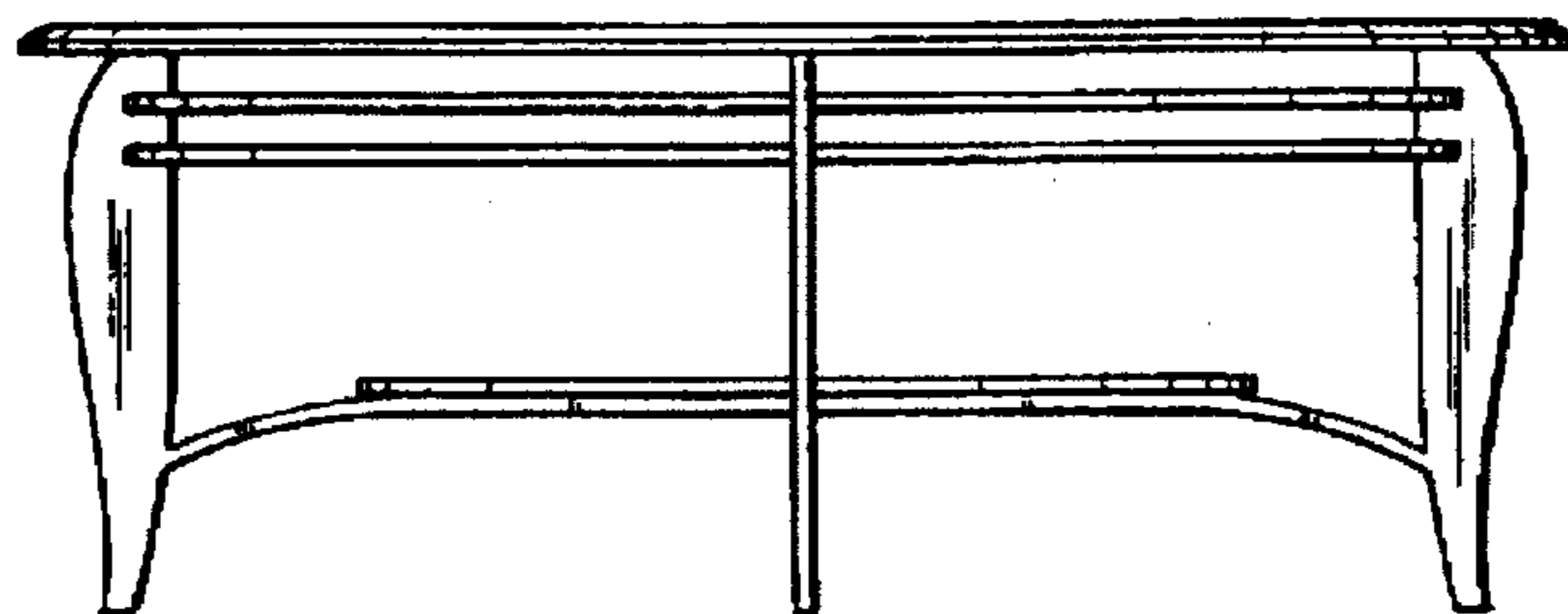


Fig. 8

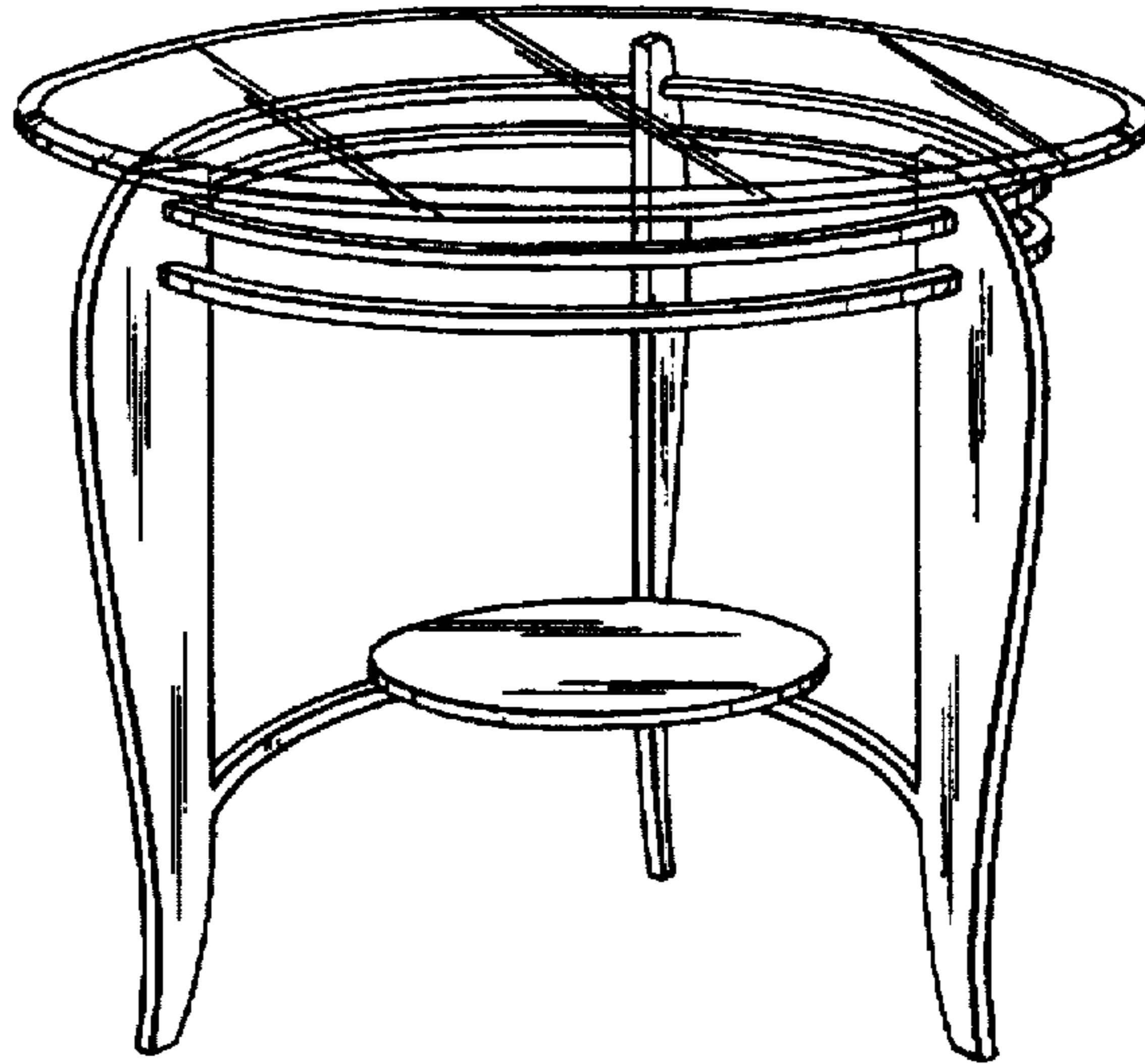


Fig. 9

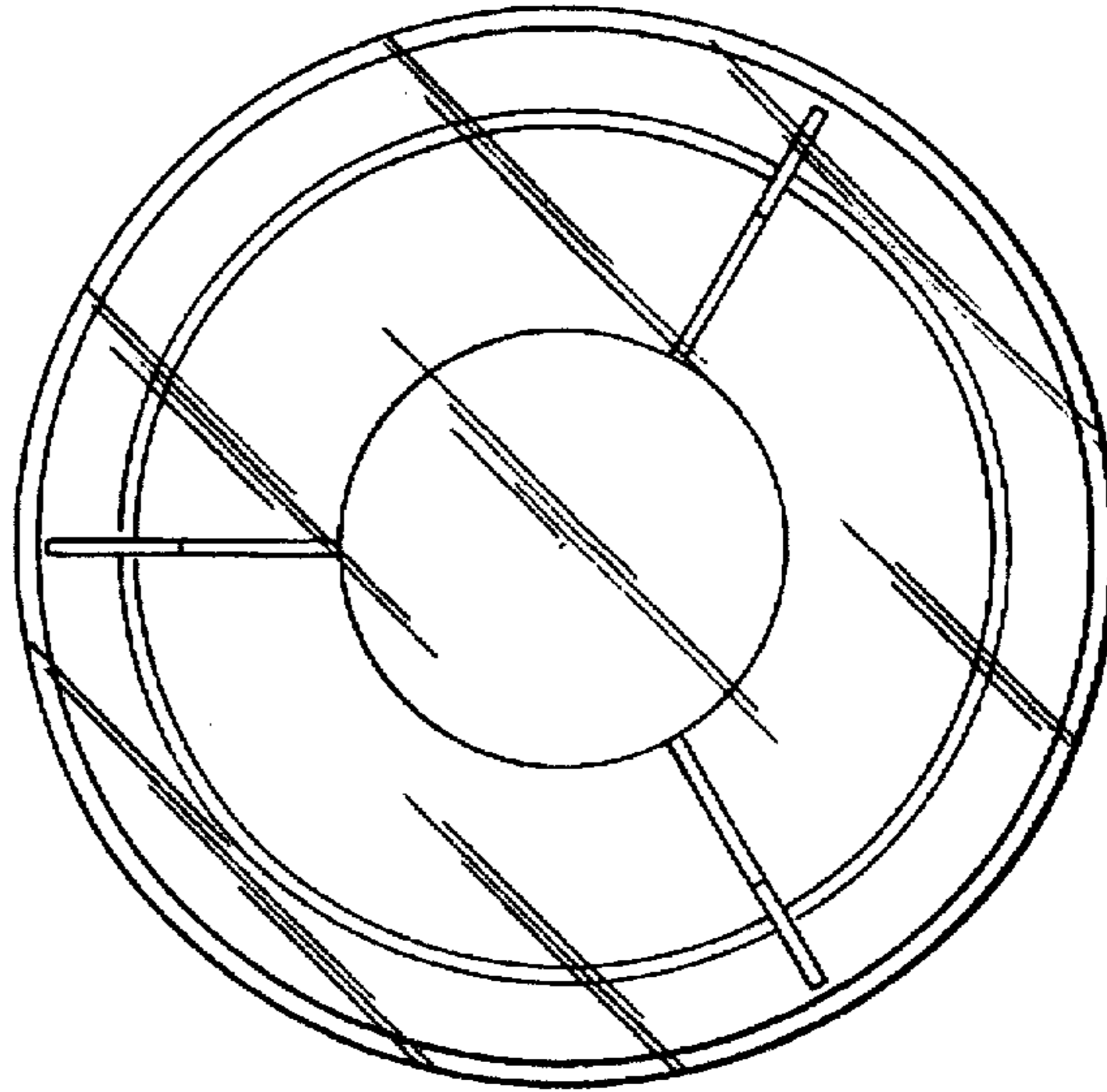


Fig. 10

