



US00D384838S

United States Patent [19]

[11] Patent Number: **Des. 384,838**

Topper et al.

[45] Date of Patent: ****Oct. 14, 1997**

[54] **SHELVING UNIT**

3,492,057	1/1970	Watson	211/42 X
3,866,549	2/1975	Berton	108/153
5,421,467	6/1995	Dittborn	108/6

[76] Inventors: **Scott Topper**, 3324 SE. Lincoln, Portland, Oreg. 97214; **Jennifer Horner**, 5328 SE. 45th, Portland, Oreg. 97206

Primary Examiner—James Gandy
Assistant Examiner—Linda Brooks
Attorney, Agent, or Firm—Wallenstein & Wagner, Ltd.

[**] Term: **14 Years**

[57] **CLAIM**

[21] Appl. No.: **52,128**

The ornamental design for a "shelving unit", as shown and described.

[22] Filed: **Mar. 25, 1996**

DESCRIPTION

[51] LOC (6) Cl. **06-04**

[52] U.S. Cl. **D6/473**

[58] Field of Search D6/411, 429, 407, D6/630, 449, 463, 465, 467, 468, 473, 475, 474, 477, 476, 478, 479, 480, 482-487, 490; 211/42, 194, 188, 186; 248/150, 188.1; 108/16, 31, 32, 90, 153, 91, 92, 93, 100, 186, 115, 116, 144, 149, 157, 59, 106; 312/244, 107, 108, 265.2, 265.5, 265.6, 351.5, 351.8, 294, 297, 312, 321

FIG. 1 is a perspective view of a shelving unit showing a first embodiment of our new design;
FIG. 2 is a perspective view of the first embodiment of our shelving unit in its collapsed position;
FIG. 3 is a top elevational view thereof;
FIG. 4 is a front elevational view thereof;
FIG. 5 is a right side elevational view thereof; the left side elevational view being a symmetrical image thereof;
FIG. 6 is a bottom elevational view thereof;
FIG. 7 is a rear elevational view thereof;
FIG. 8 is a perspective view of a second embodiment of our shelving unit, the only differences being the addition of another row of shelves and a second adjoining identical column of shelves; and,
FIG. 9 is a perspective view of the second embodiment in its collapsed position.

[56] **References Cited**

U.S. PATENT DOCUMENTS

D. 91,022	11/1933	De Vries	D6/475
D. 227,065	6/1973	Mayers	D6/475
D. 313,134	12/1990	Pollack	D6/479
D. 337,673	7/1993	Goetz	D6/473
D. 361,680	8/1995	Palsson	D6/479
1,427,249	8/1922	Weston	211/42 X

1 Claim, 3 Drawing Sheets

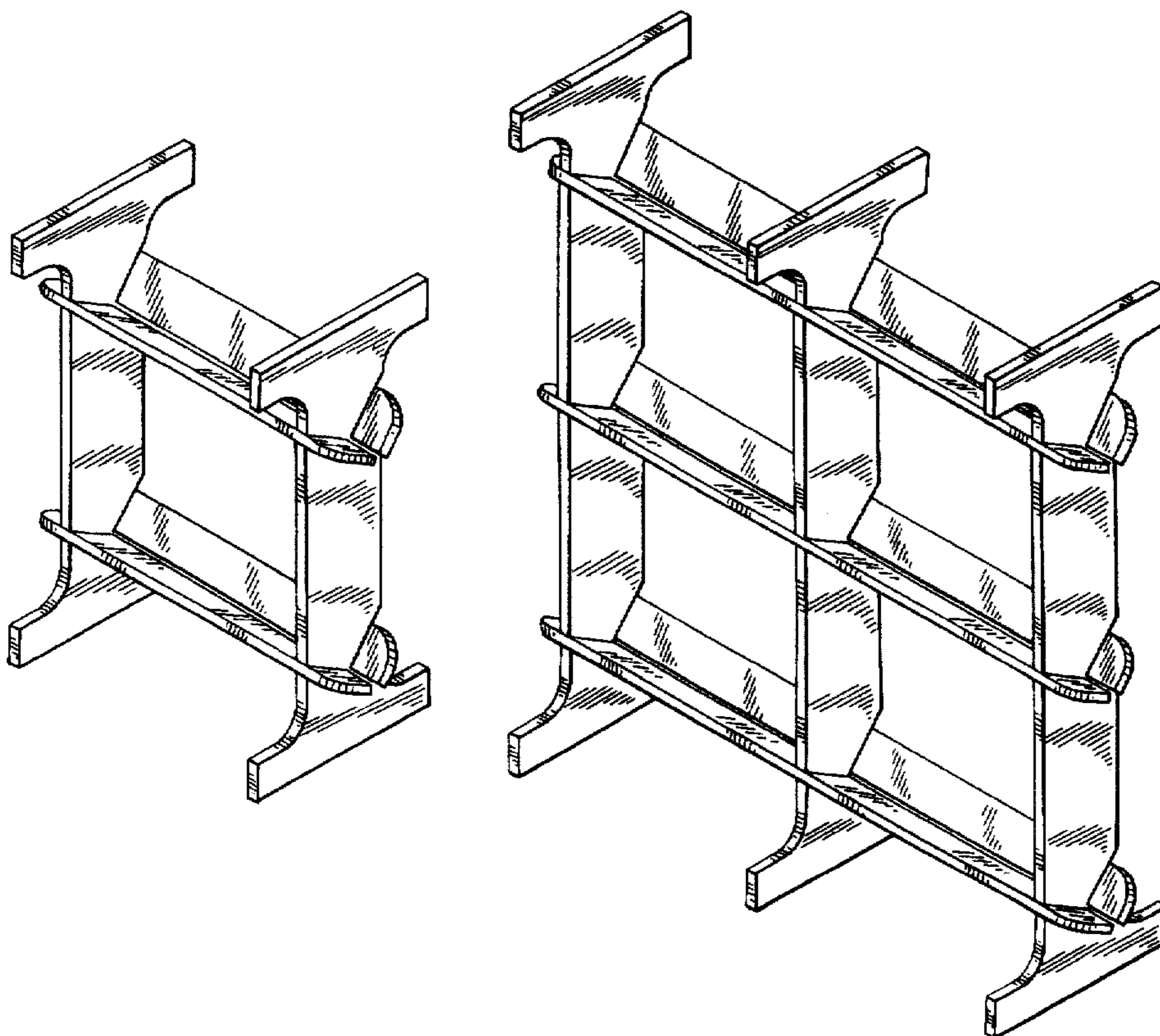


FIG. 1

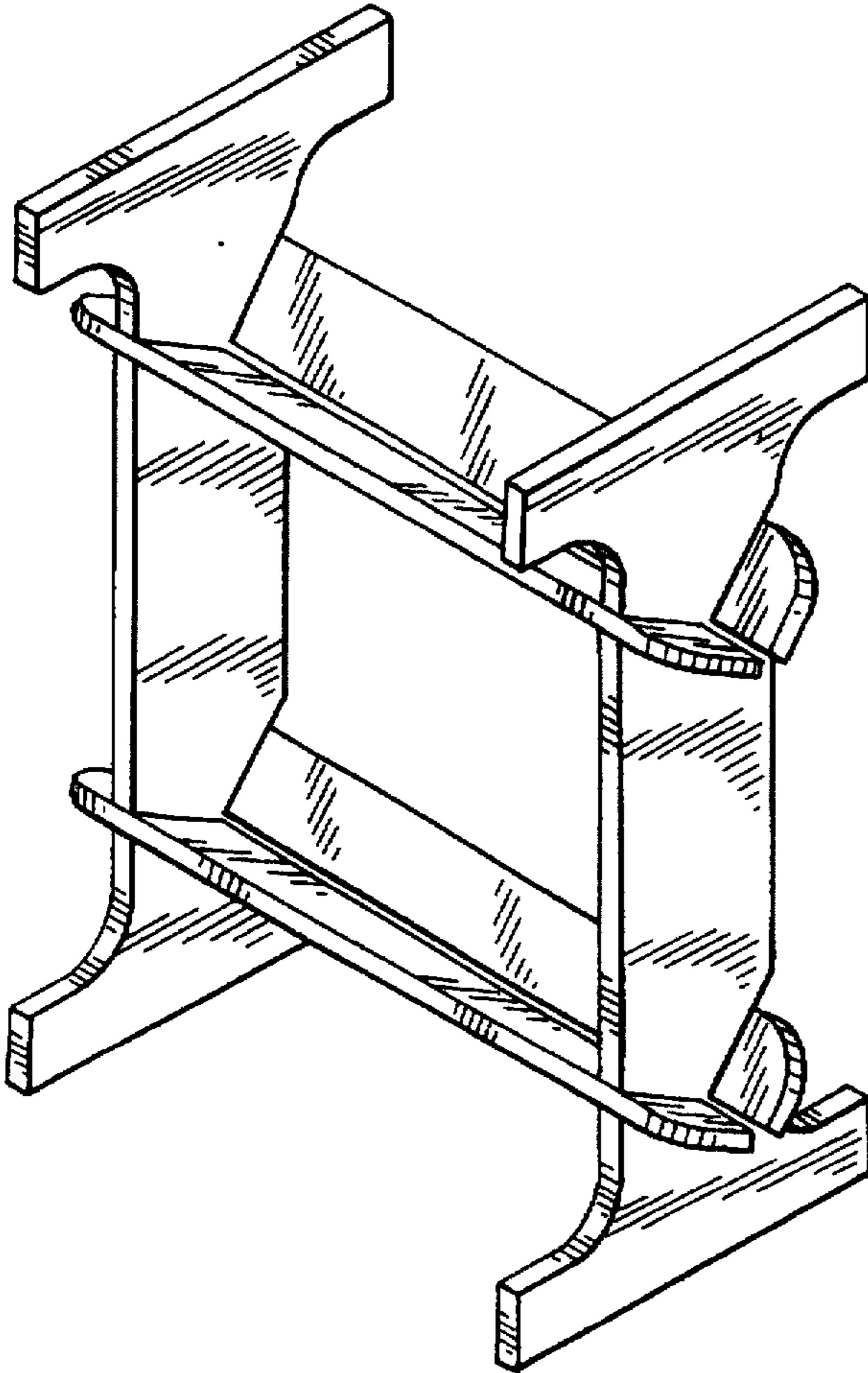


FIG. 2

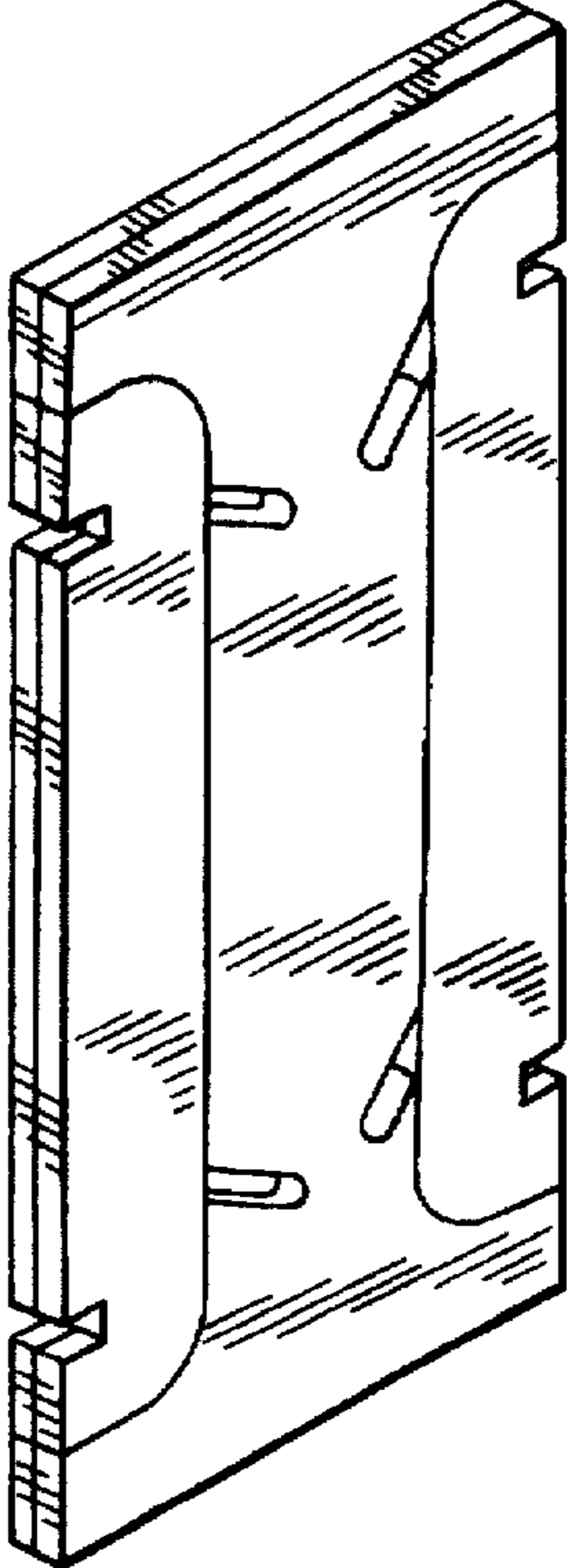


FIG. 3

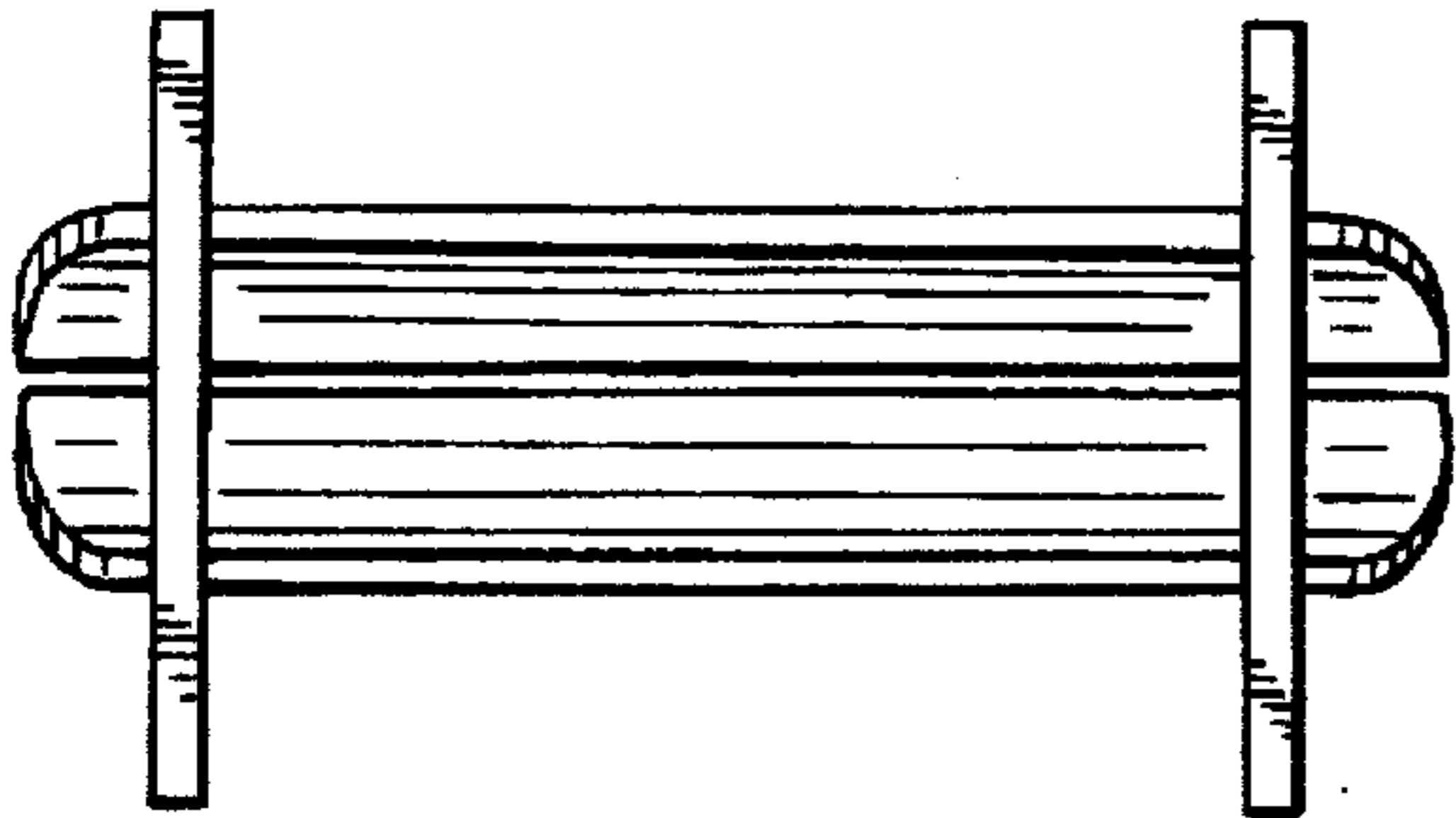


FIG. 4

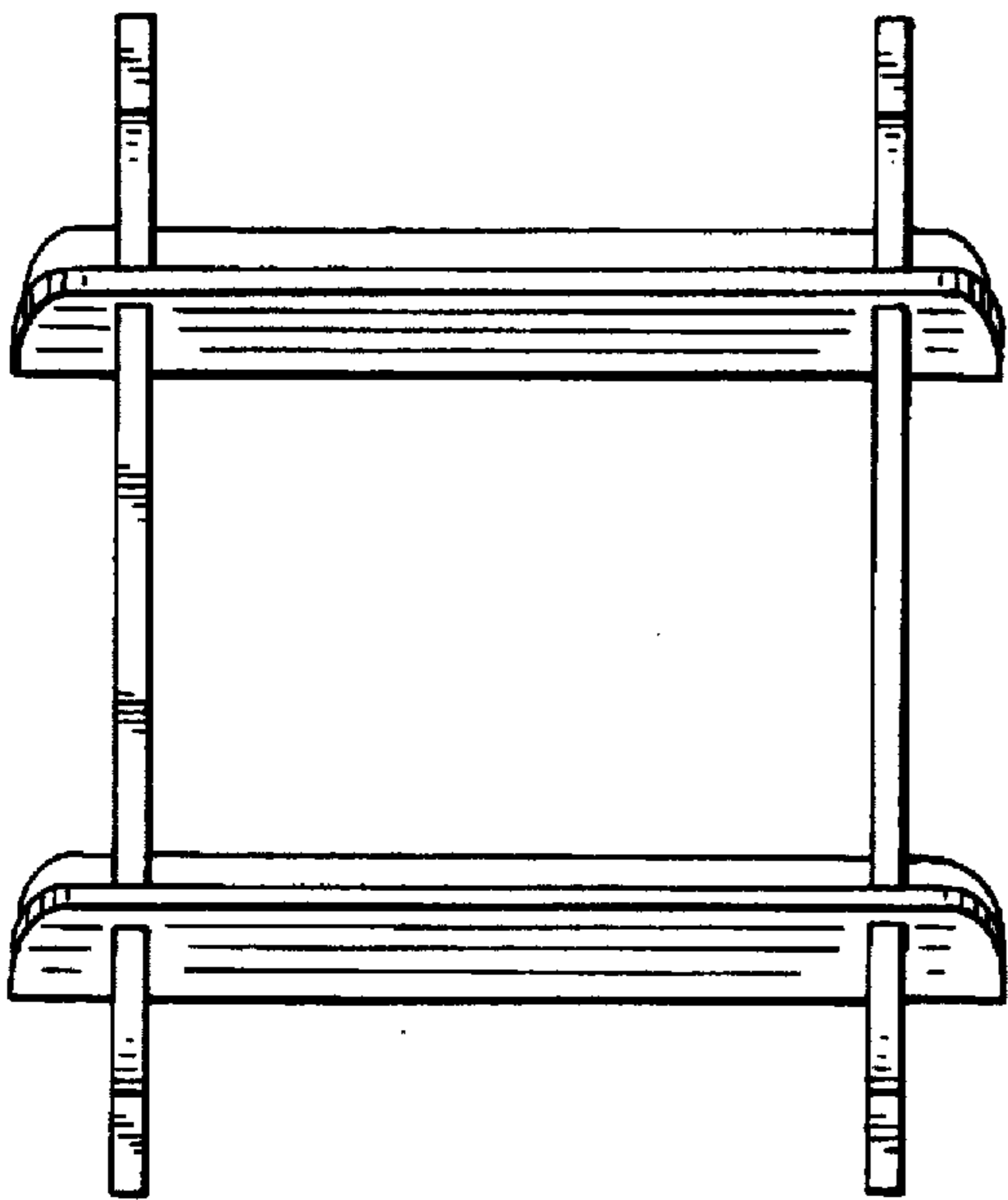


FIG. 6

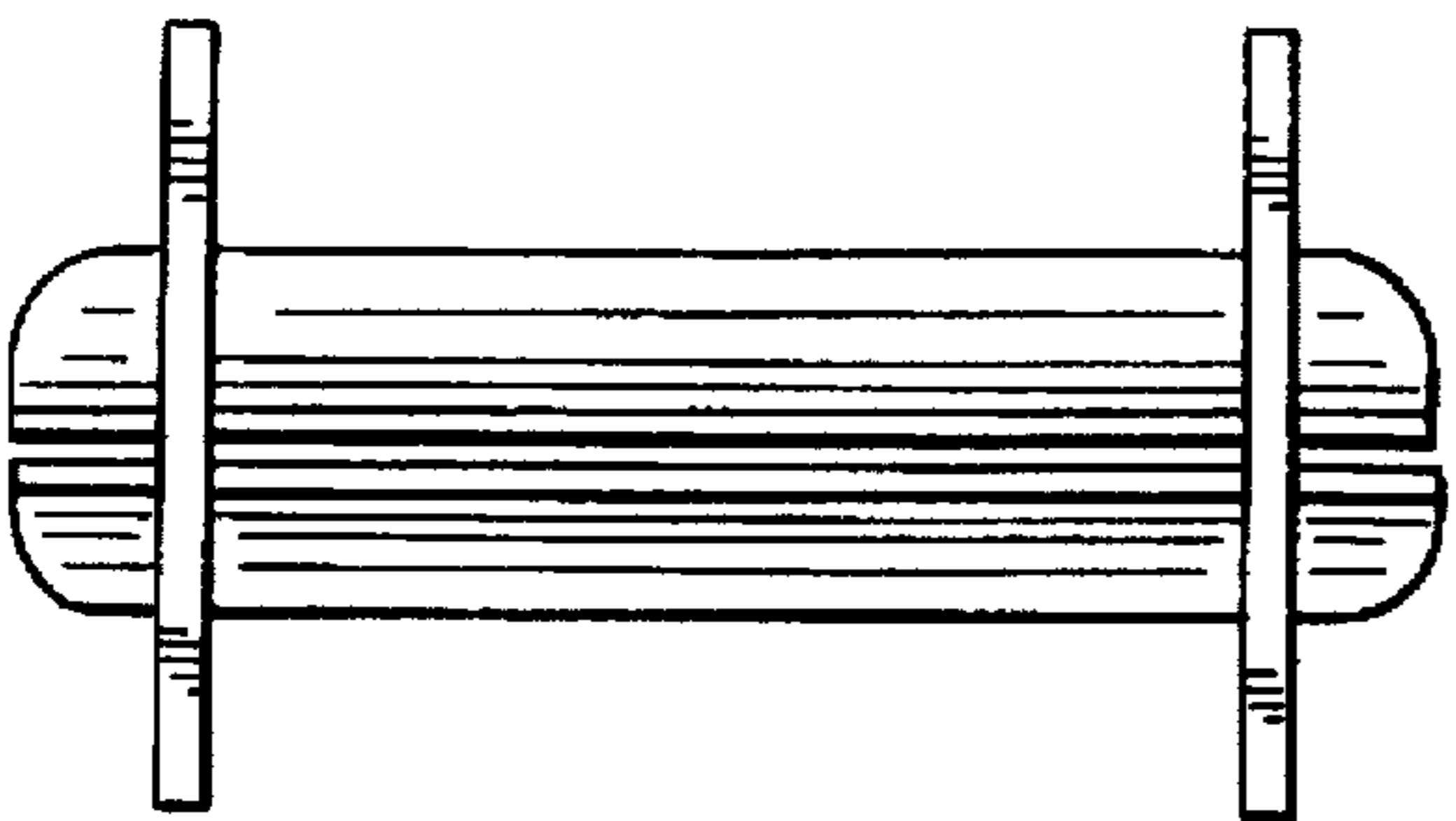


FIG. 5

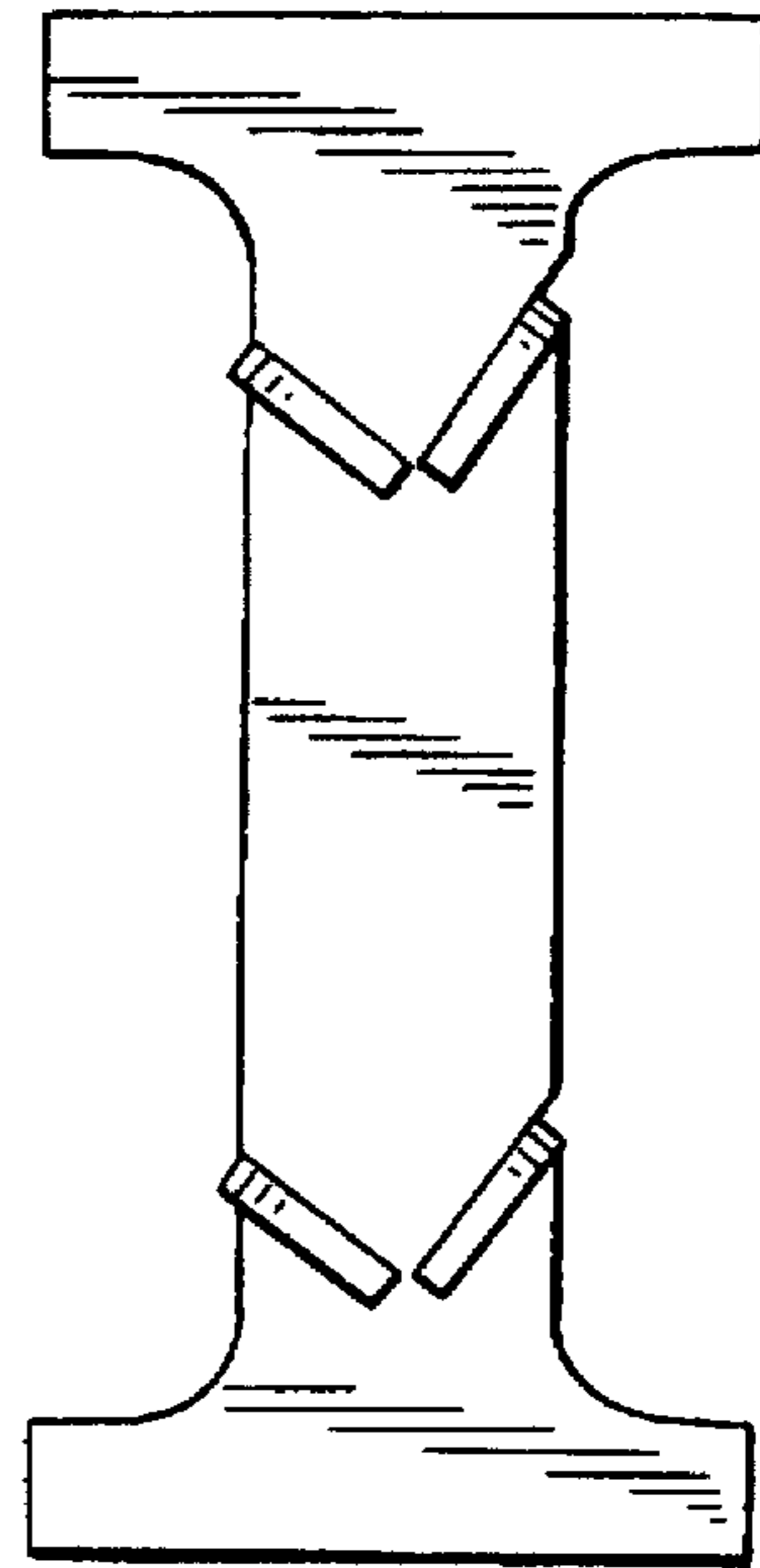


FIG. 7

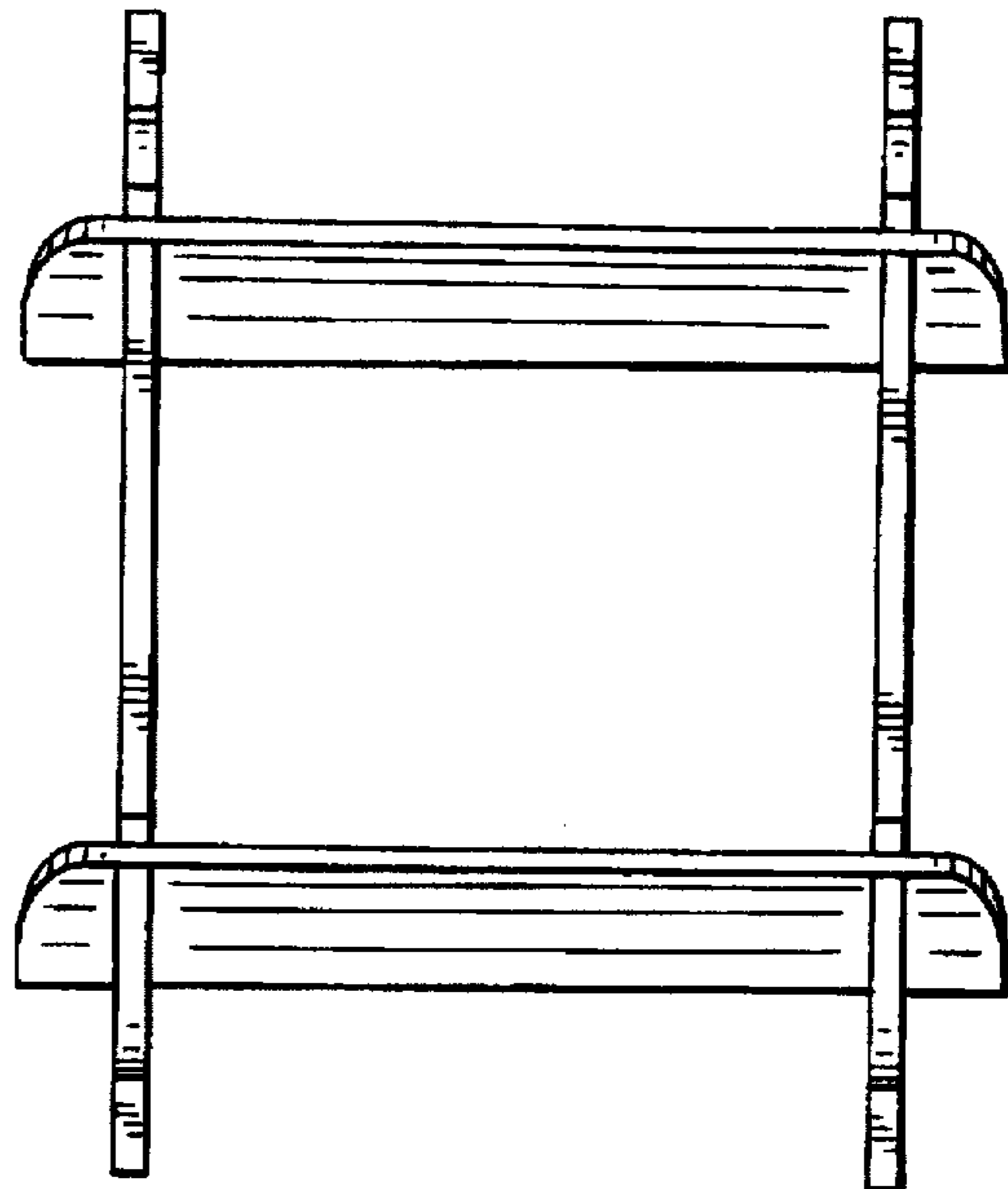


FIG. 8

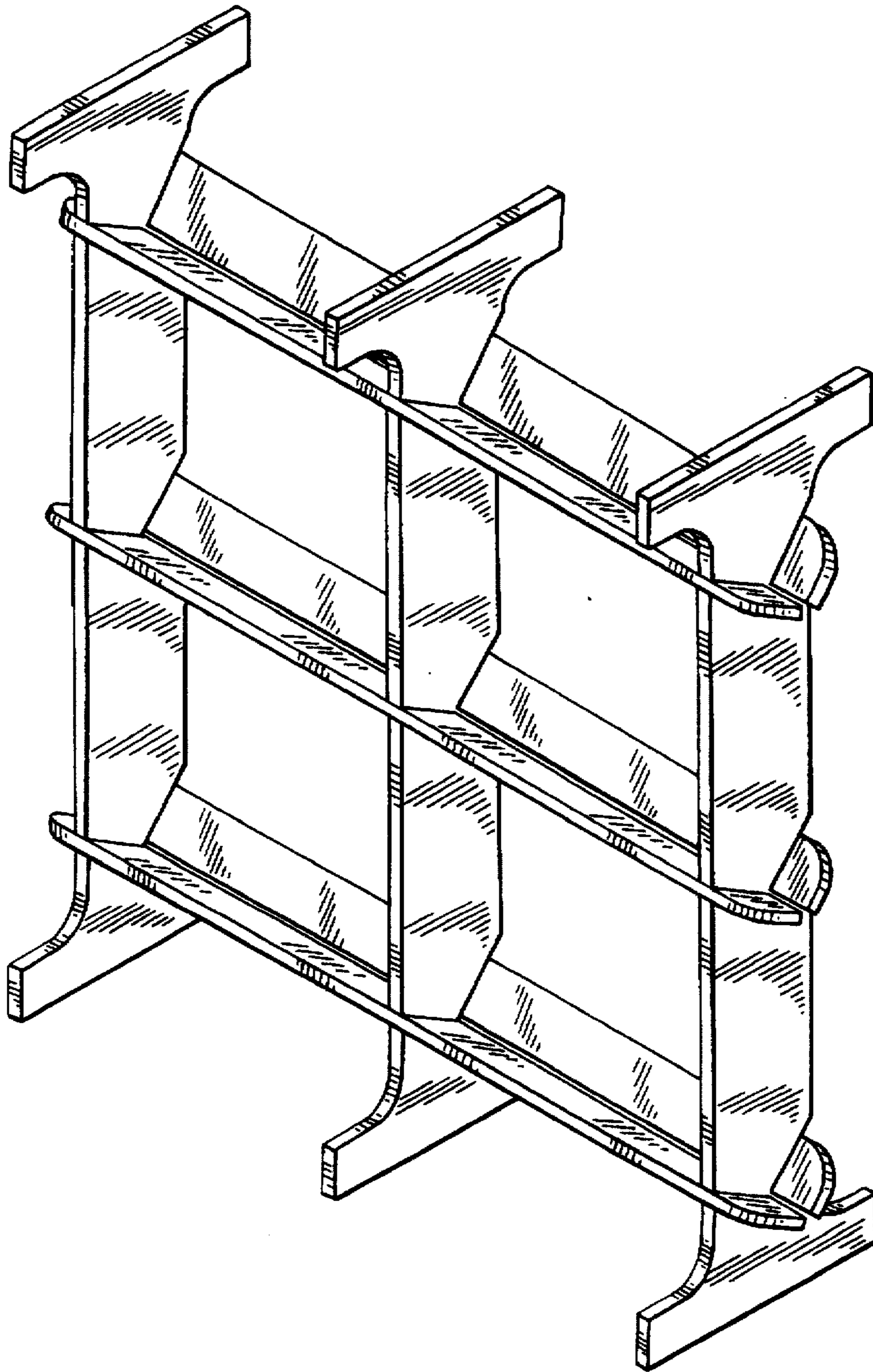
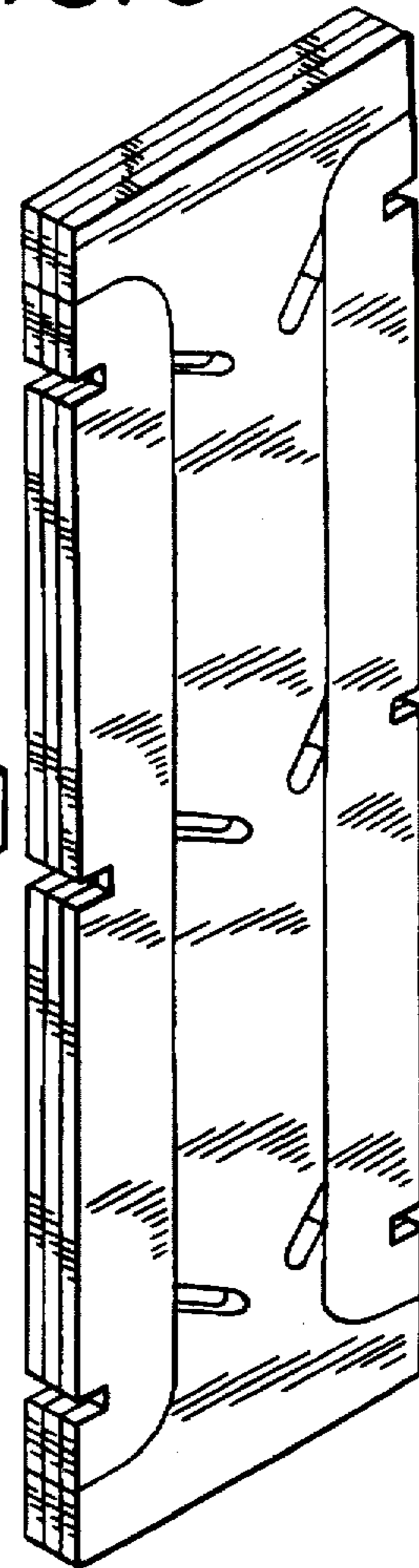


FIG. 9



UNITED STATES PATENT AND TRADEMARK OFFICE
CERTIFICATE OF CORRECTION

PATENT NO. : DES 384,838
DATED : October 14, 1997
INVENTOR(S) : Scott Topper and Jennifer Horner

It is certified that error appears in the above-identified patent and that said Letters Patent is hereby corrected as shown below:

On the title page,
In the Description, Fig. 8, please delete
"a second adjoining identical column of shelves,"
and insert therefor -- another shelf support column --.

Signed and Sealed this

Sixth Day of January, 1998



BRUCE LEHMAN

Attest:

Attesting Officer

Commissioner of Patents and Trademarks