

US00D384837S

United States Patent [19]
Bergelin

[11] **Patent Number:** **Des. 384,837**
[45] **Date of Patent:** ****Oct. 14, 1997**

[54] **DRESSER**
[75] **Inventor:** **Christopher S. Bergelin, Morganton, N.C.**
[73] **Assignee:** **Henredon Furniture Industries, Inc., Morganton, N.C.**
[**] **Term:** **14 Years**
[21] **Appl. No.:** **57,795**
[22] **Filed:** **Jul. 31, 1996**
[51] **LOC (6) Cl.** **06-04**
[52] **U.S. Cl.** **D6/445**
[58] **Field of Search** **D6/432-448; 312/245, 312/257, 204**

D. 334,305 3/1993 Wheelless et al. D6/445
D. 363,837 11/1995 Tatum et al. D6/446
D. 373,491 9/1996 Waltees, III et al. D6/445
D. 374,572 10/1996 Paus D6/445

Primary Examiner—Carmen H. Vales-Lado
Attorney, Agent, or Firm—Edgar A. Zarins; Malcolm L. Sutherland

[57] **CLAIM**

The ornamental design for a dresser, as shown and described.

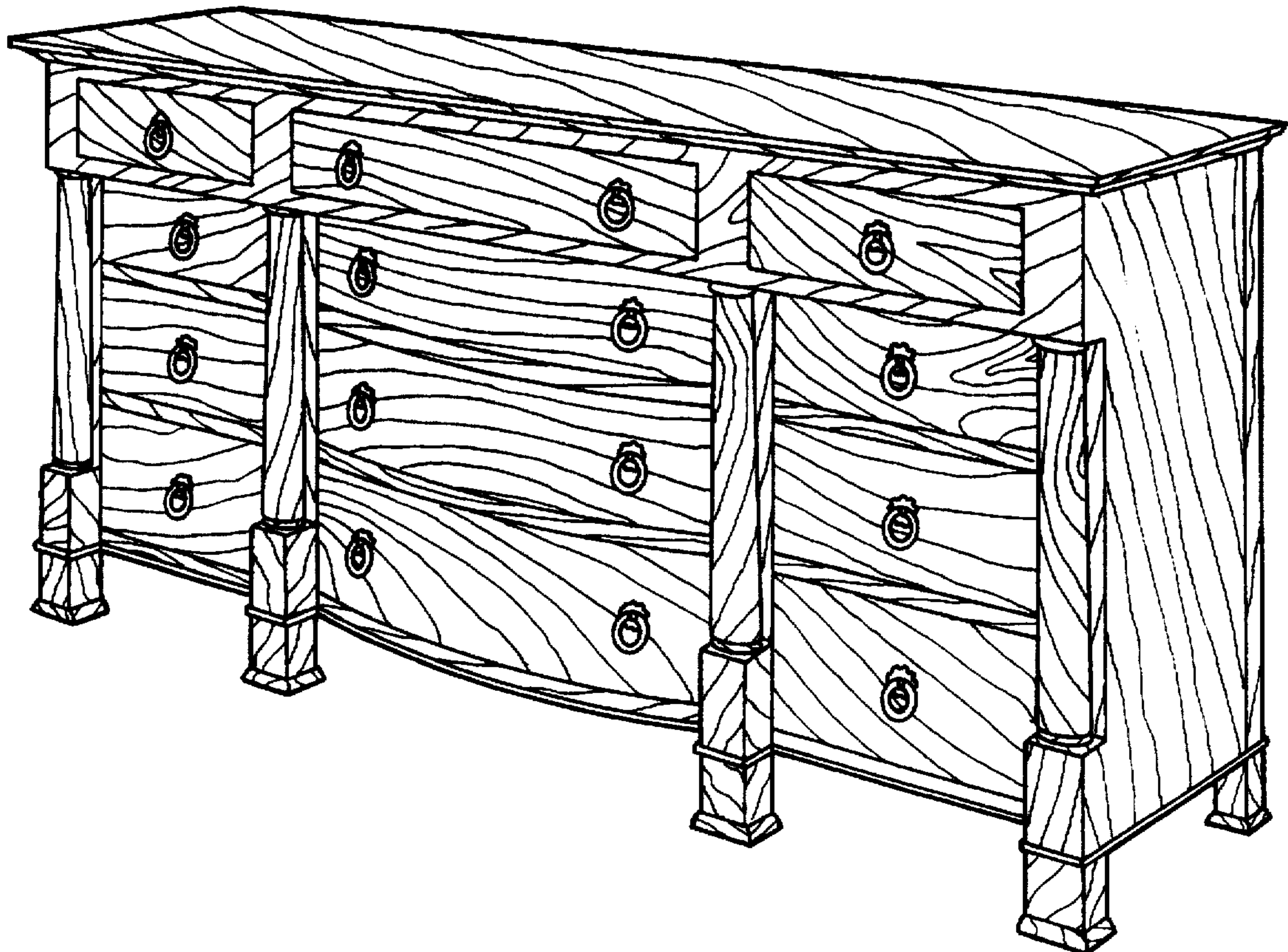
DESCRIPTION

FIG. 1 is a perspective view of a dresser showing my new design;
FIG. 2 is a top plan view thereof;
FIG. 3 is a front elevational view thereof; and,
FIG. 4 is a left side elevational view as seen when in use, the right side being a mirror image thereof.

[56] **References Cited**
U.S. PATENT DOCUMENTS

D. 178,054 6/1956 Herrmann D6/446
D. 183,849 11/1958 Lubeist et al. D6/446

1 Claim, 2 Drawing Sheets



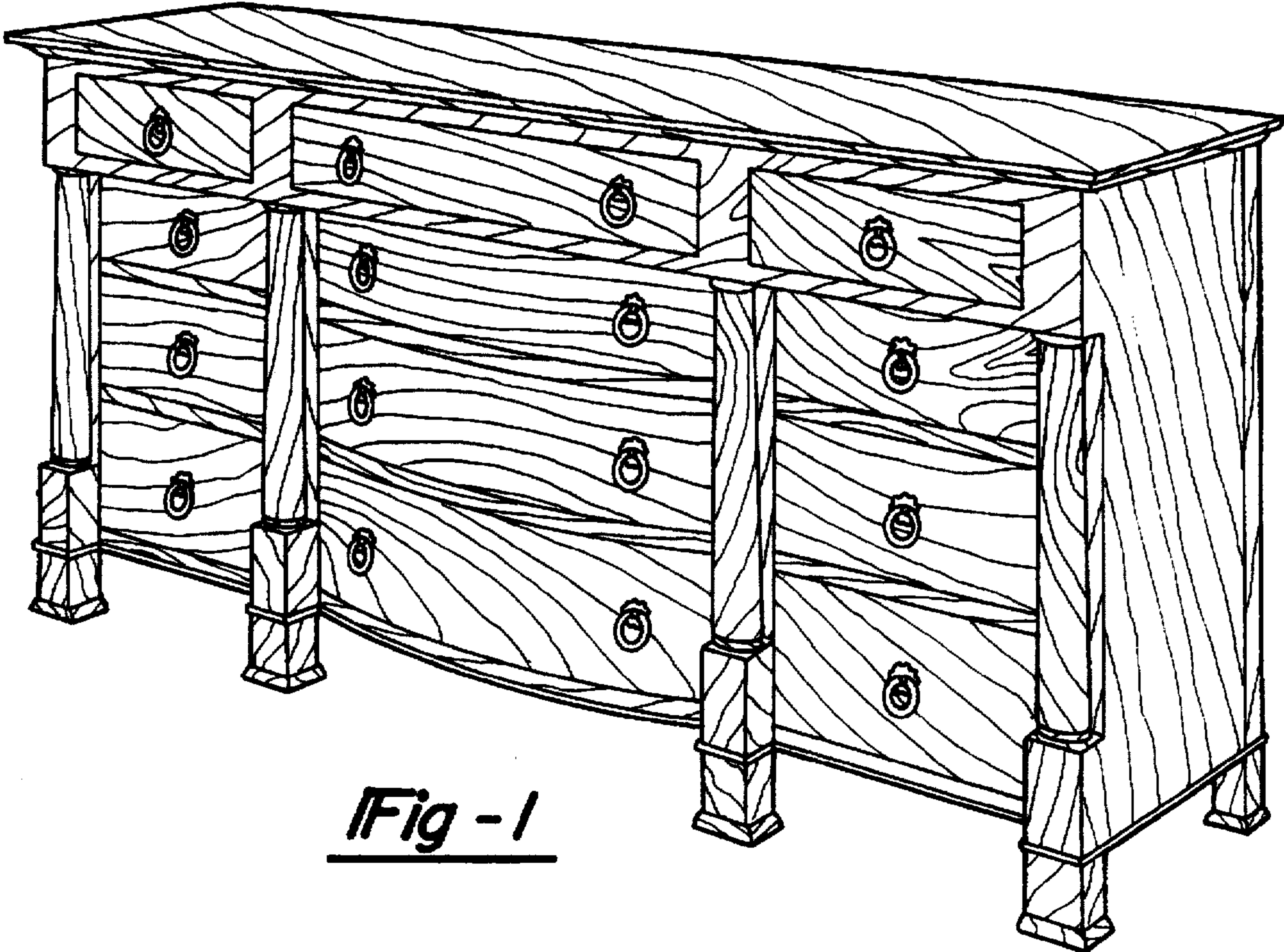
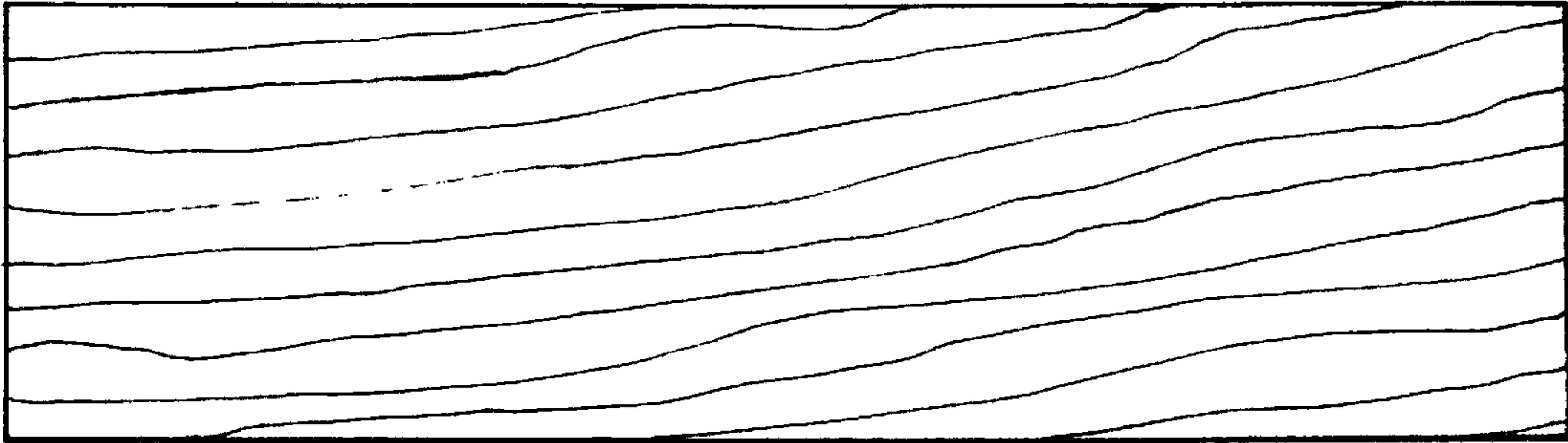


Fig - 1

Fig - 2



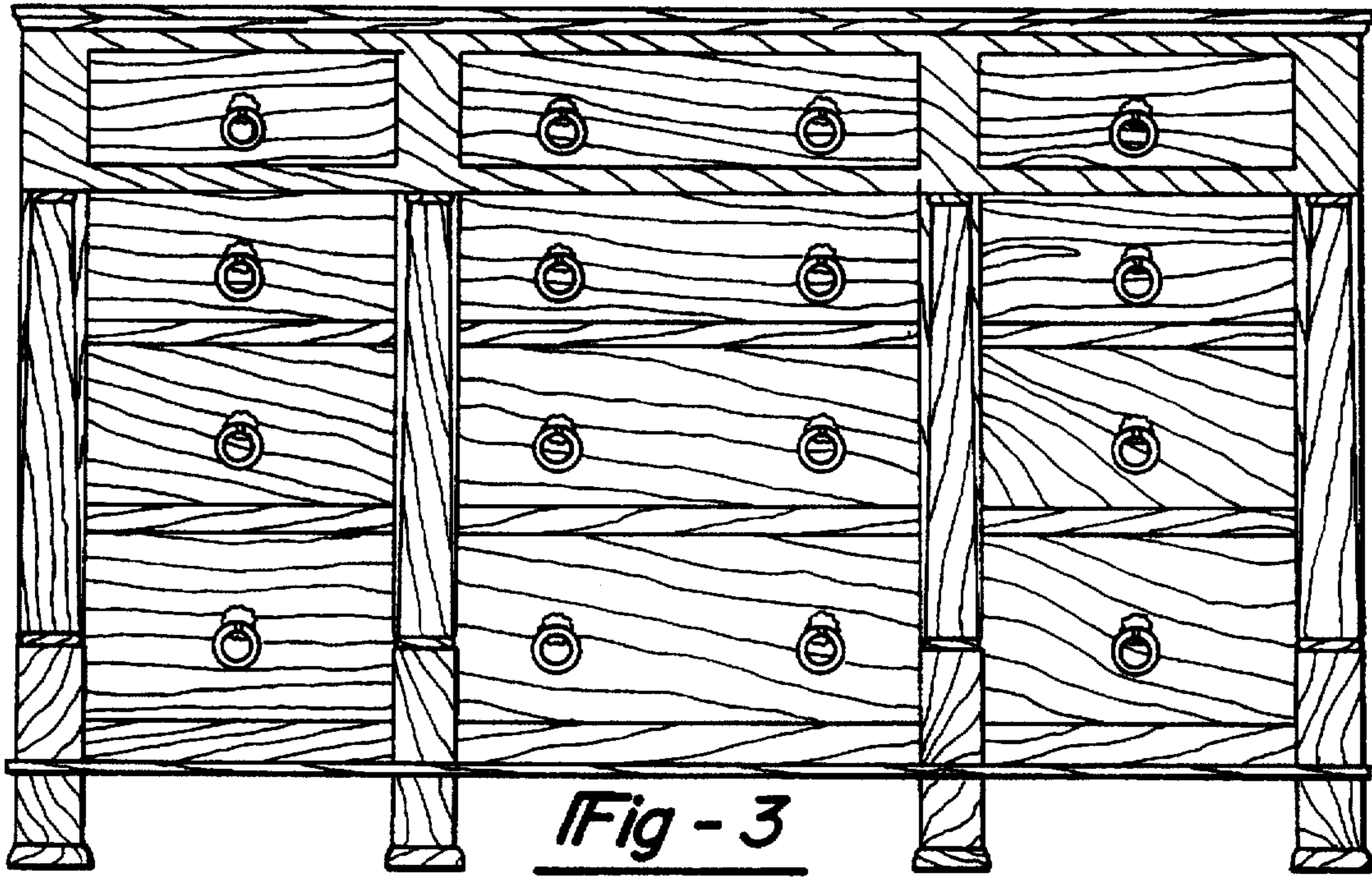


Fig - 4

