



US00D384834S

United States Patent [19]

[11] Patent Number: **Des. 384,834**

Midorikawa et al.

[45] Date of Patent: ****Oct. 14, 1997**

- [54] **BED**
- [75] Inventors: **Akihiro Midorikawa, Abiko; Yoshihiko Ando, Hino; Takako Yanagida, Fussa; Junko Yano, Tokorozawa, all of Japan**
- [73] Assignee: **France Bed Co., Ltd., Japan**
- [**] Term: **14 Years**
- [21] Appl. No.: **56,654**
- [22] Filed: **Jul. 5, 1996**
- [51] **LOC (6) Cl. 06-01**
- [52] **U.S. Cl. D6/392; D6/393**
- [58] **Field of Search D6/382-385, 388-395, D6/505-508; 5/239, 240, 236.1, 613, 618, 53.1, 280, 281**

- 4,345,344 8/1982 Gadoury et al. 5/618 X
- 4,559,656 12/1985 Foster 5/236.1
- 5,438,723 8/1995 Carrol 5/618
- 5,577,279 11/1996 Foster et al. 5/618

Primary Examiner—Janice E. Seeger
Attorney, Agent, or Firm—Laff, Whitesel, Conte & Saret, Ltd.

[57] CLAIM

The ornamental design for a bed, as shown and described.

DESCRIPTION

FIG. 1 is a front elevational view of a bed, showing our new design;
 FIG. 2 is a top plan view thereof;
 FIG. 3 is a left side elevational view thereof;
 FIG. 4 is a right side elevational view thereof;
 FIG. 5 is a rear elevational view thereof;
 FIG. 6 is a bottom plan view thereof; and,
 FIG. 7 is a front elevational view showing the bed with a floorboard raised.
 The inside of the headboard and footboard are flat and unornamented.

[56] References Cited

U.S. PATENT DOCUMENTS

- D. 265,357 7/1982 Bergenwall D6/392
- D. 370,135 5/1996 Meiners D6/382
- 3,722,010 3/1973 Saternus 5/618
- 4,084,274 4/1978 Willis et al. 5/613 X

1 Claim, 4 Drawing Sheets

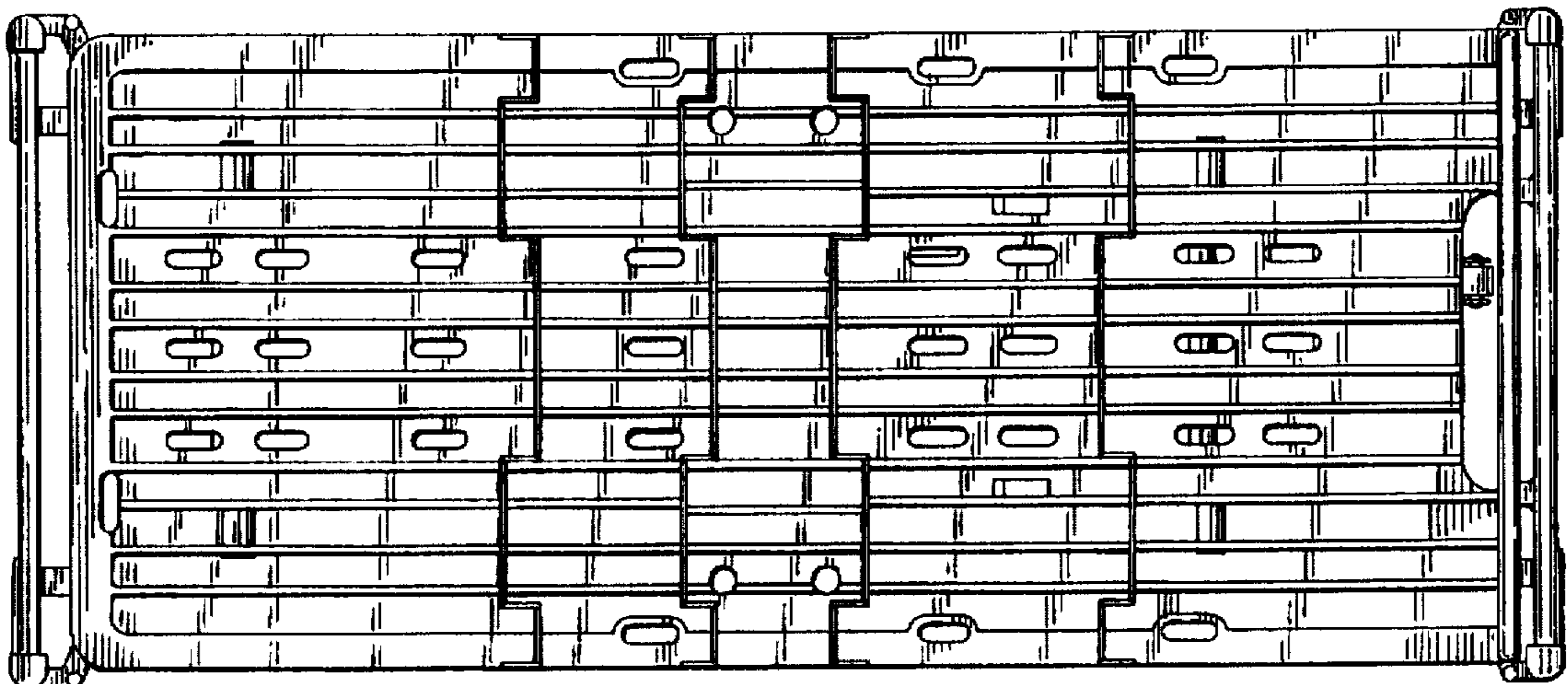
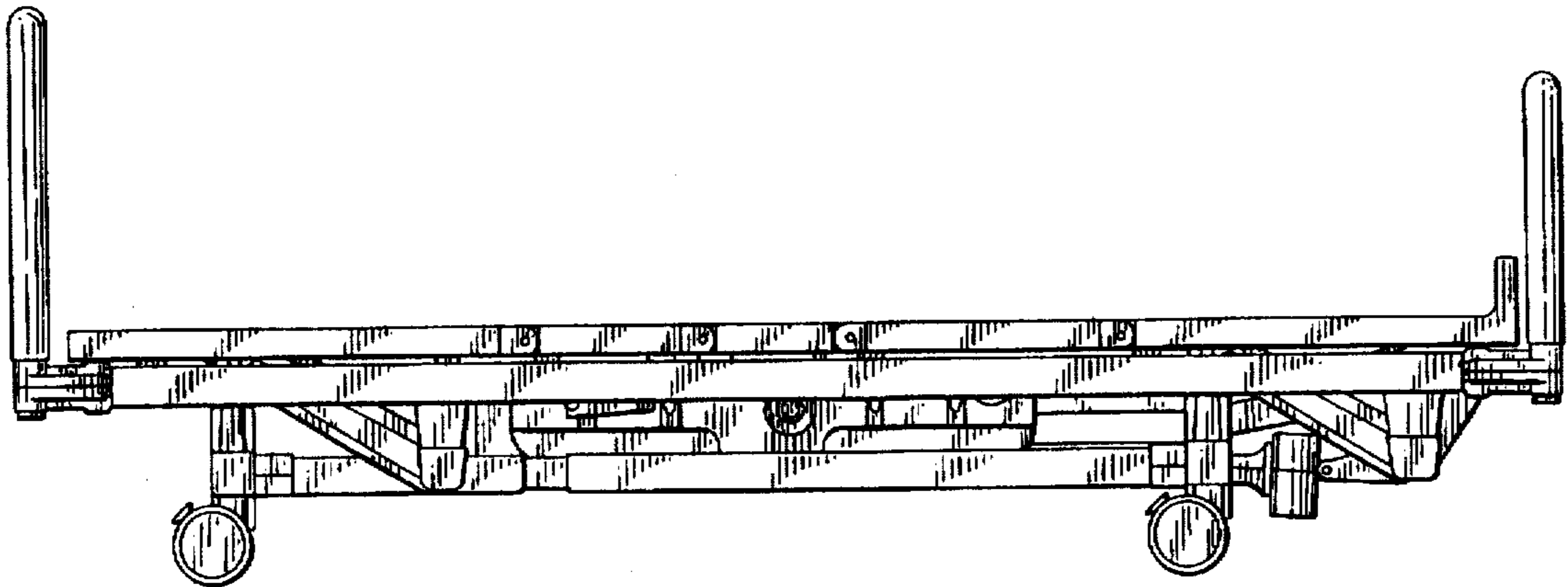


FIG. 1

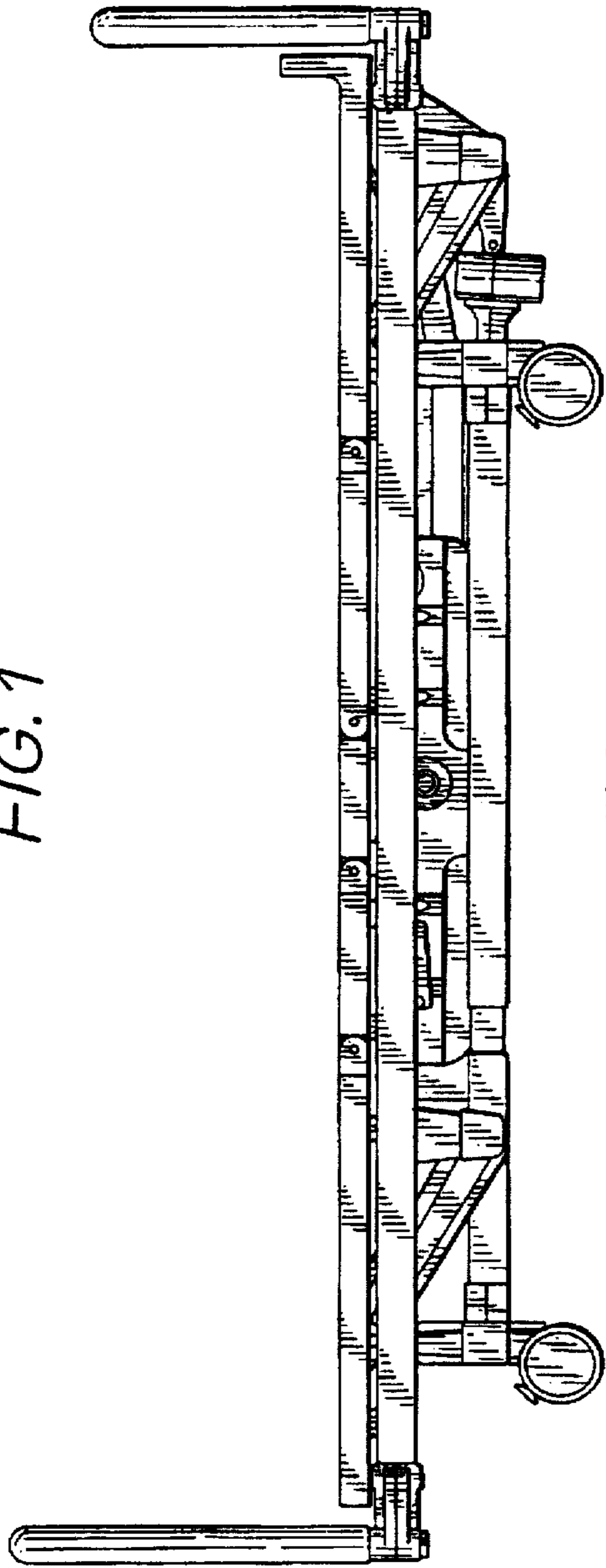


FIG. 2

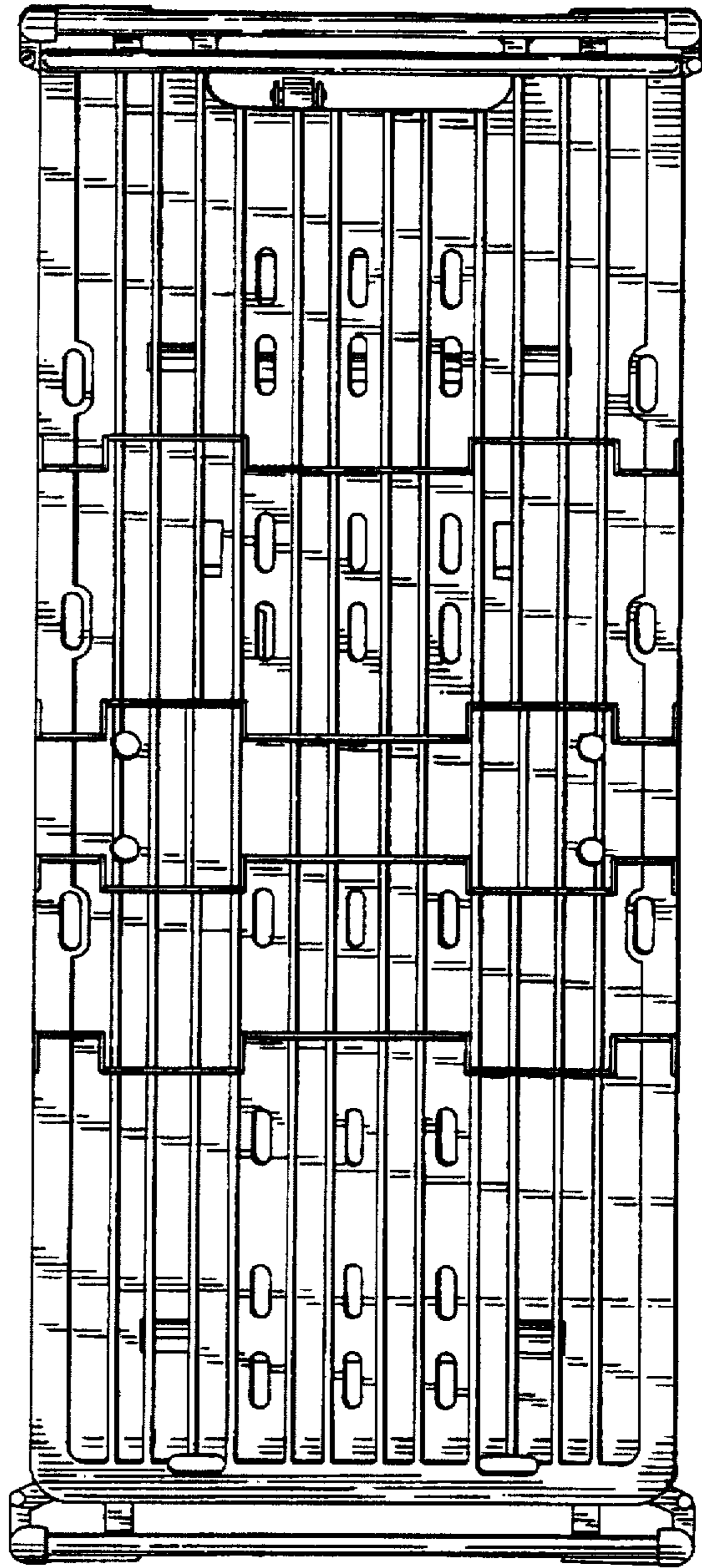


FIG. 4

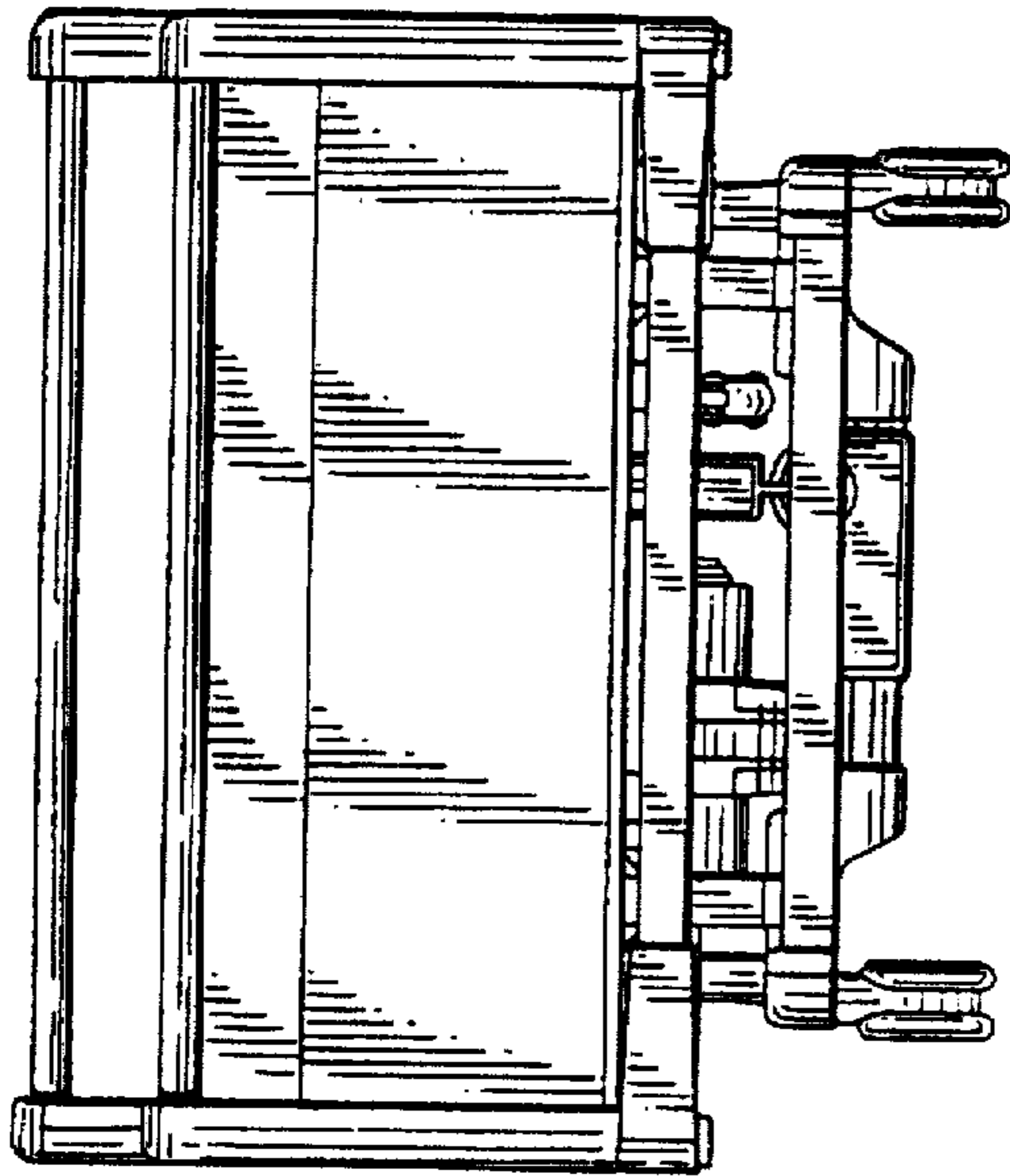


FIG. 3

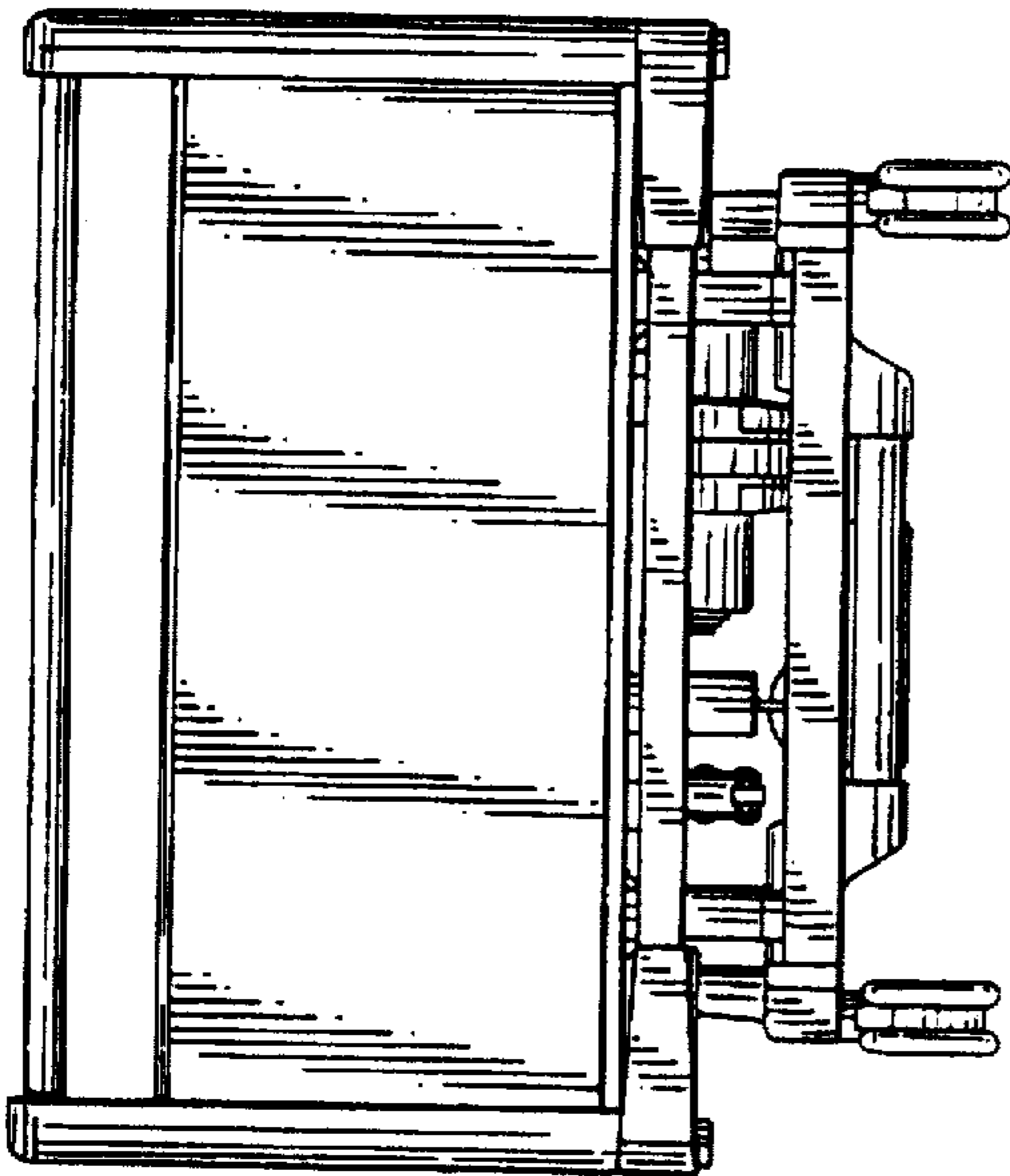


FIG. 5

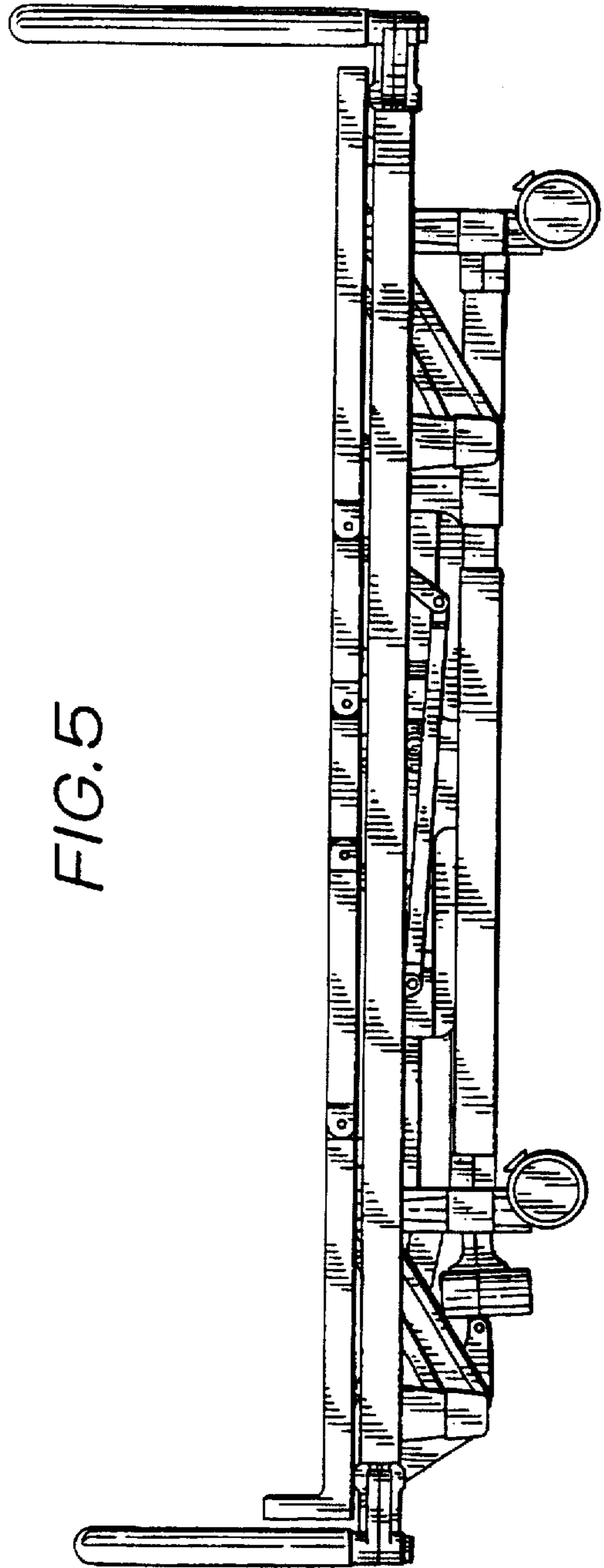
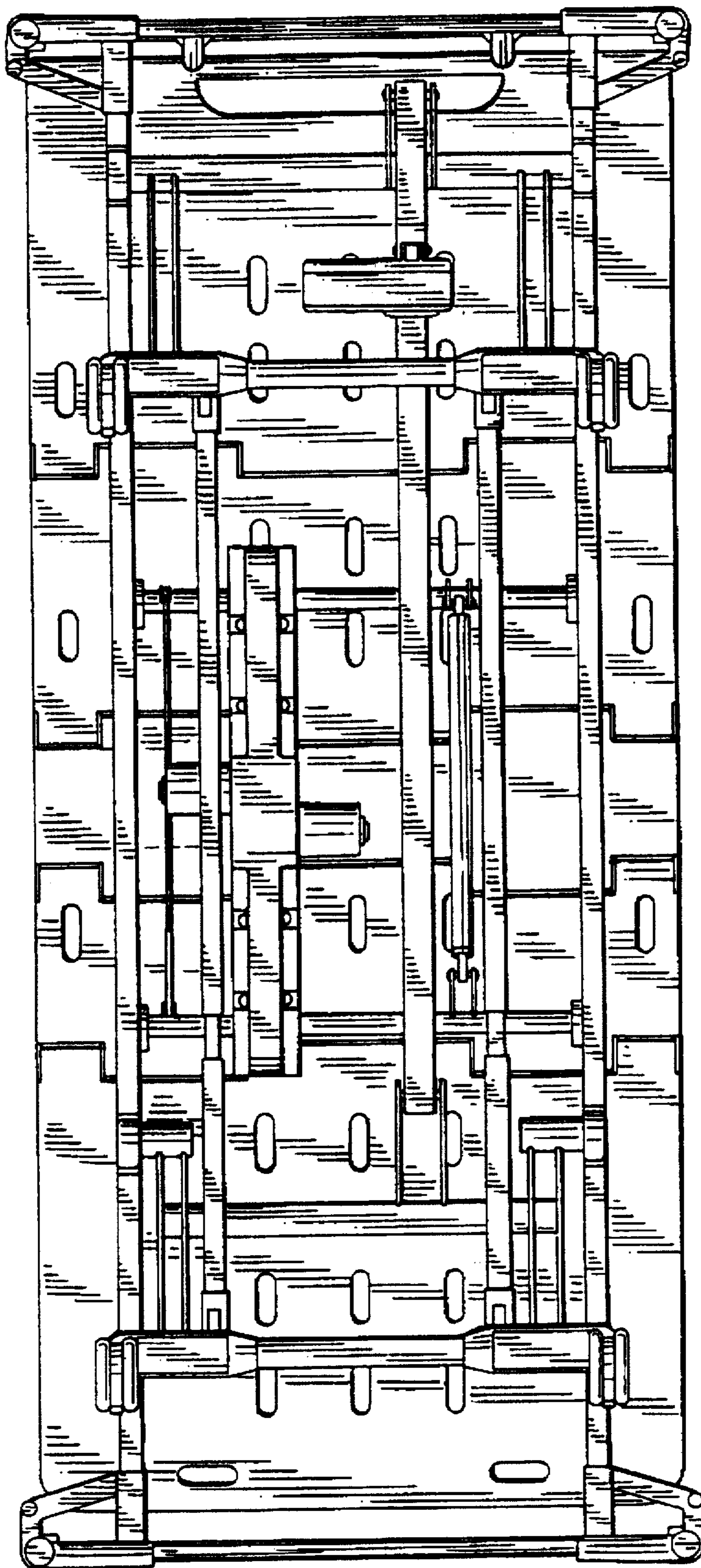


FIG. 6



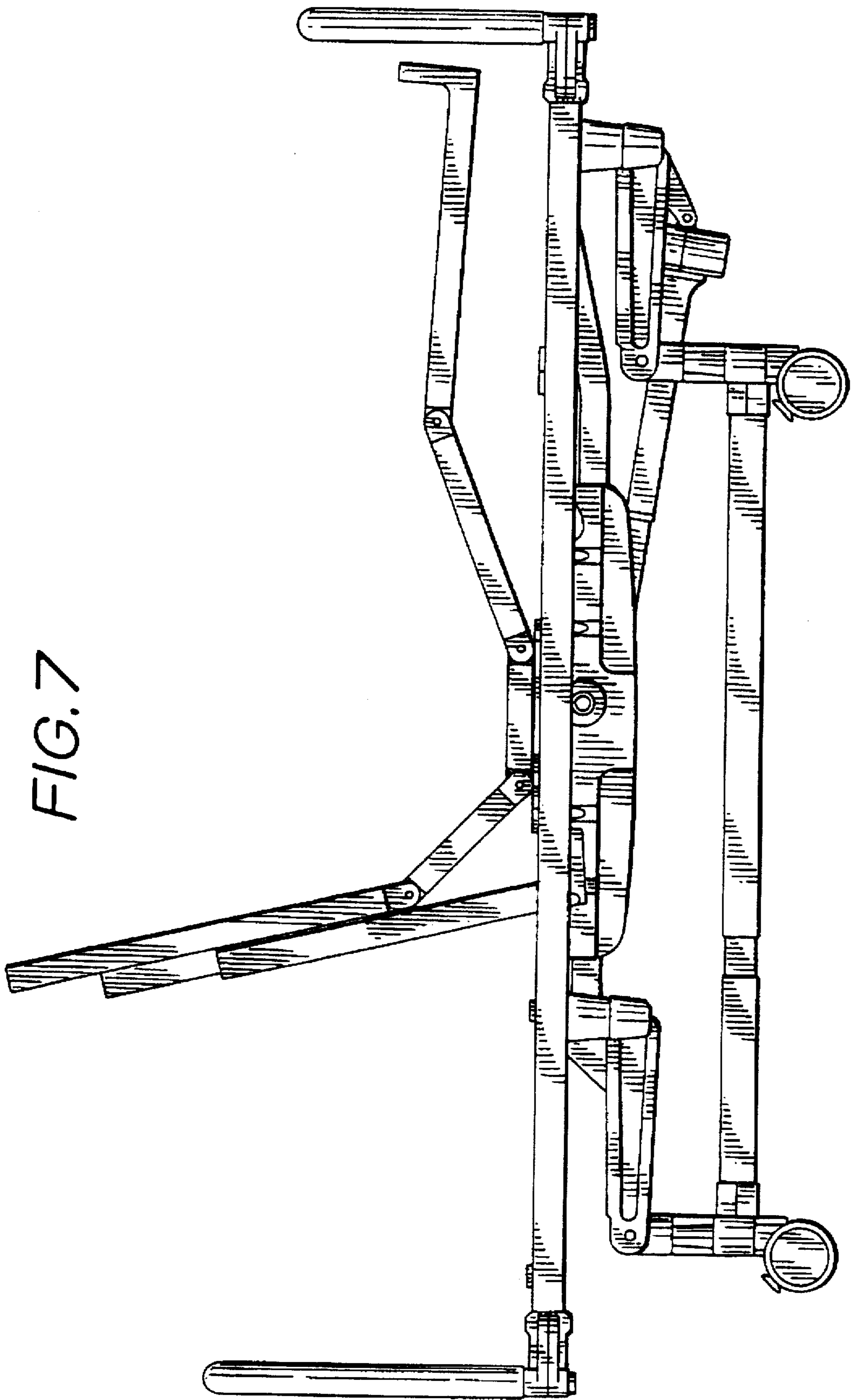


FIG. 7