



US00D384830S

# United States Patent [19]

Daniel

[11] Patent Number: **Des. 384,830**

[45] Date of Patent: **\*\*Oct. 14, 1997**

[54] **BASEBALL BED**

[76] Inventor: **William Tate Daniel**, 2105 Twin Brook Dr., Sellersburg, Ind. 47172

[\*\*] Term: **14 Years**

[21] Appl. No.: **54,801**

[22] Filed: **May 22, 1996**

[51] LOC (6) Cl. .... **06-01**

[52] U.S. Cl. .... **D6/388**

[58] Field of Search ..... D6/382-385, 388-395, D6/505-508; 5/53.1, 280, 281, 907

[56] **References Cited**

**U.S. PATENT DOCUMENTS**

- D. 120,222 4/1940 Harman .
- D. 178,668 9/1956 Jensen .
- D. 247,727 4/1978 Mitchell .
- D. 248,262 6/1978 Robichaud .
- D. 344,863 3/1994 Winkler .

D. 366,574 1/1996 Paus ..... D6/393

*Primary Examiner*—Janice E. Seeger  
*Attorney, Agent, or Firm*—Middleton & Reutlinger; David W. Carrithers

[57] **CLAIM**

The ornamental design for a baseball bed, as shown and described.

**DESCRIPTION**

FIG. 1 is a perspective view of a baseball bed made in accordance with my design;

FIG. 2 is a left side view, the right side being a mirror image thereof;

FIG. 3 is a top plan view thereof;

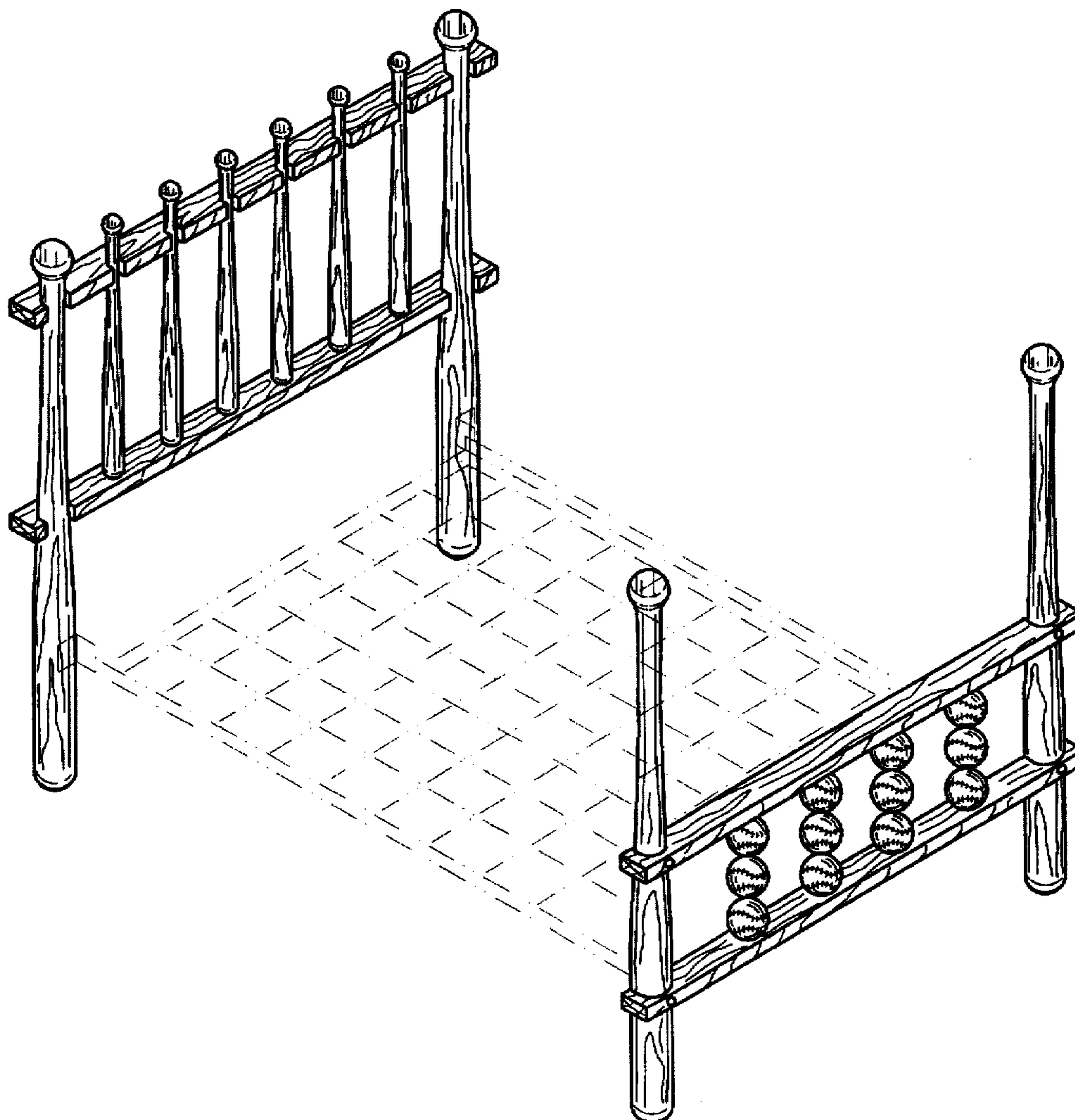
FIG. 4 a bottom plan view thereof;

FIG. 5 is a front plan view thereof; and,

FIG. 6 is a rear plan view thereof.

The broken lines are for environmental purposes only and form no part of the claimed design.

**1 Claim, 2 Drawing Sheets**



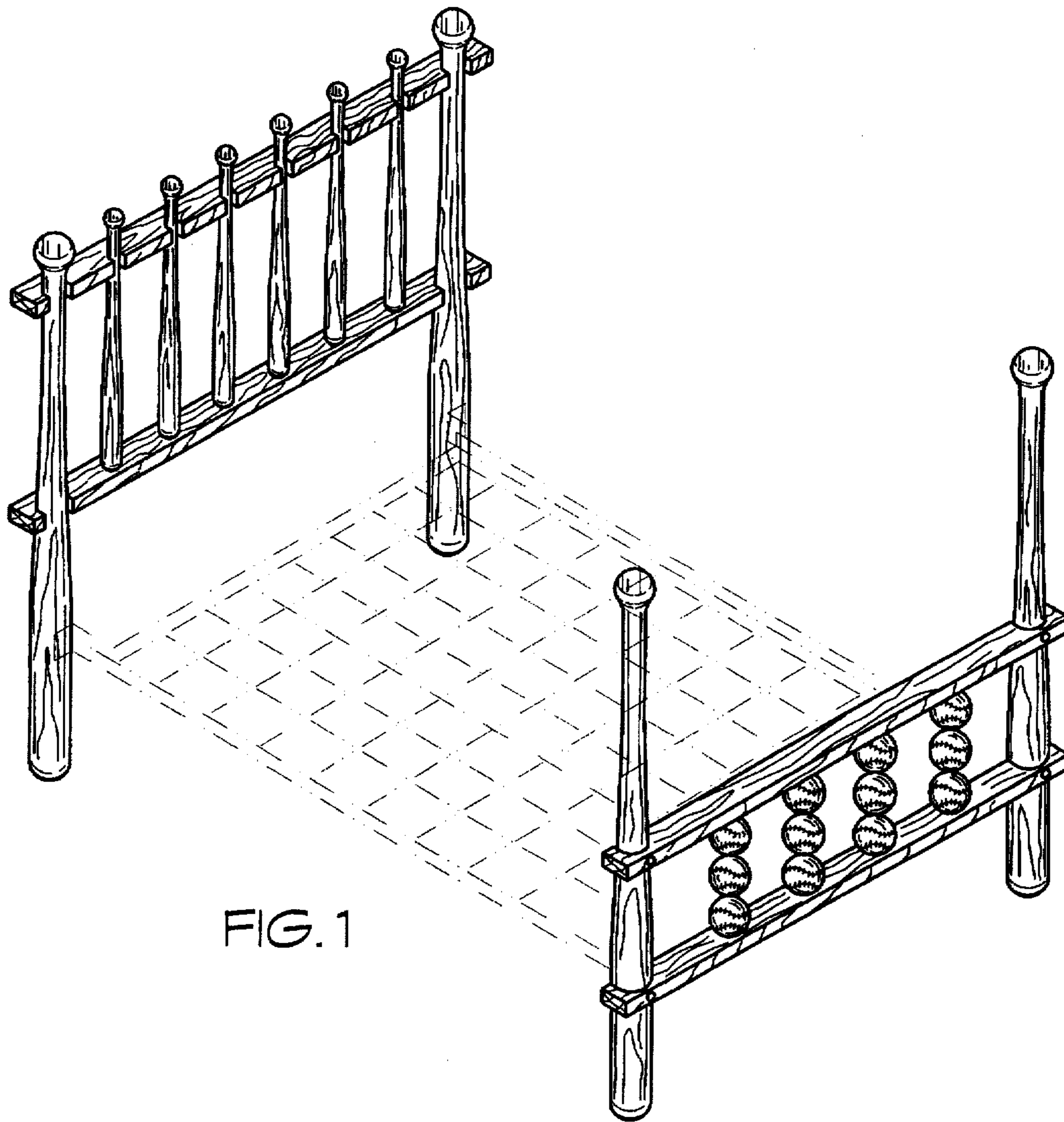


FIG. 1

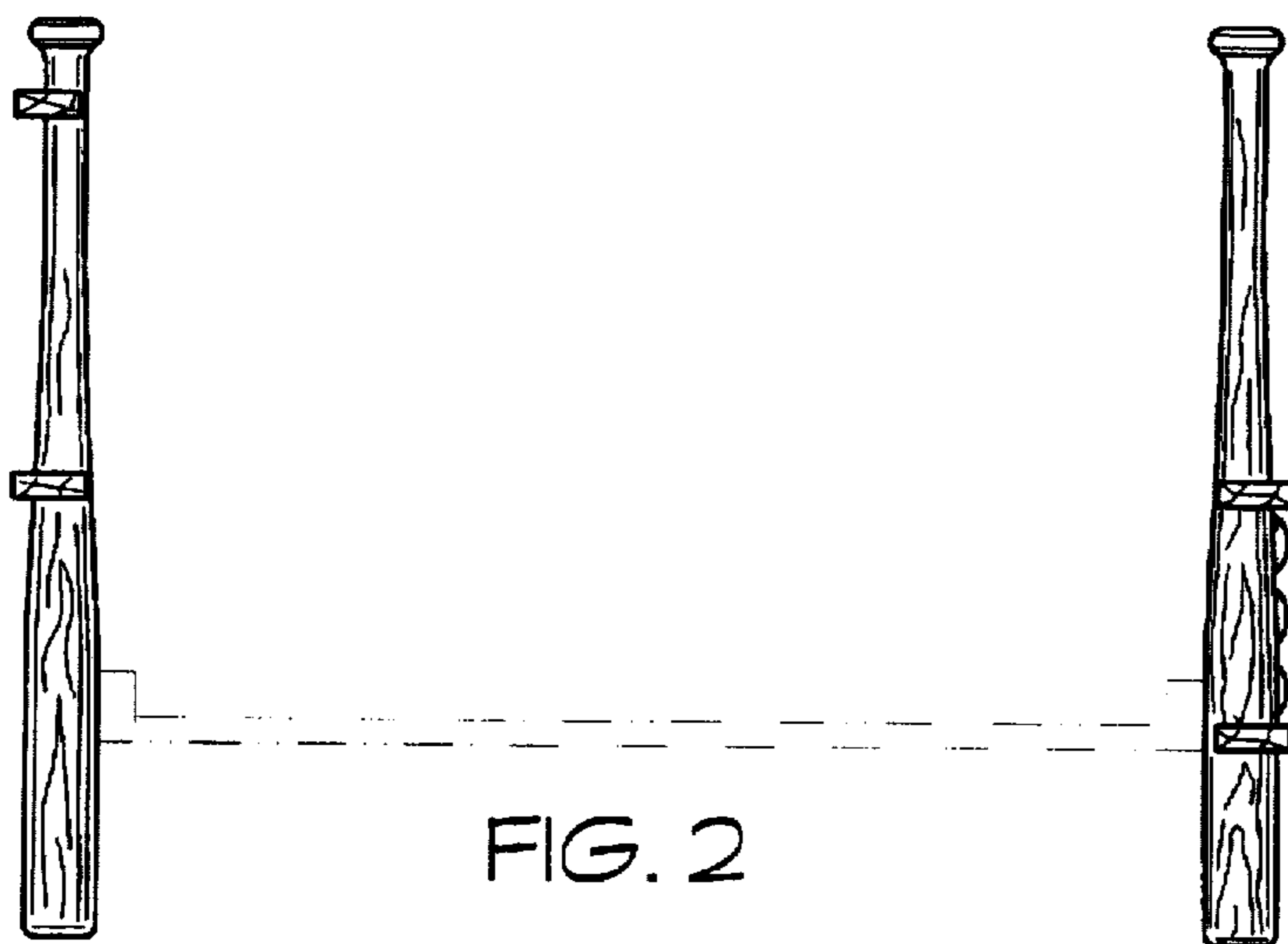


FIG. 2

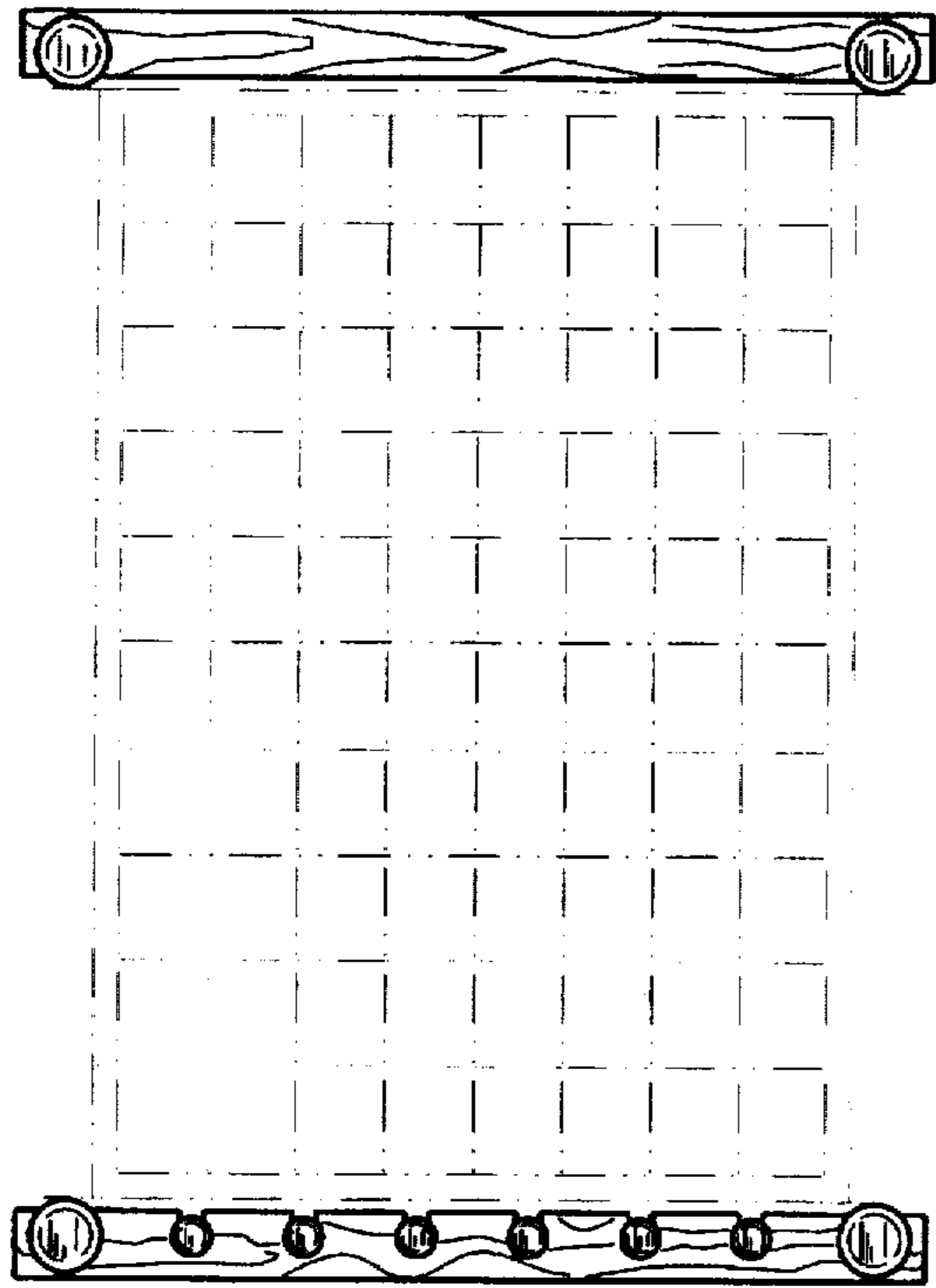


FIG. 3

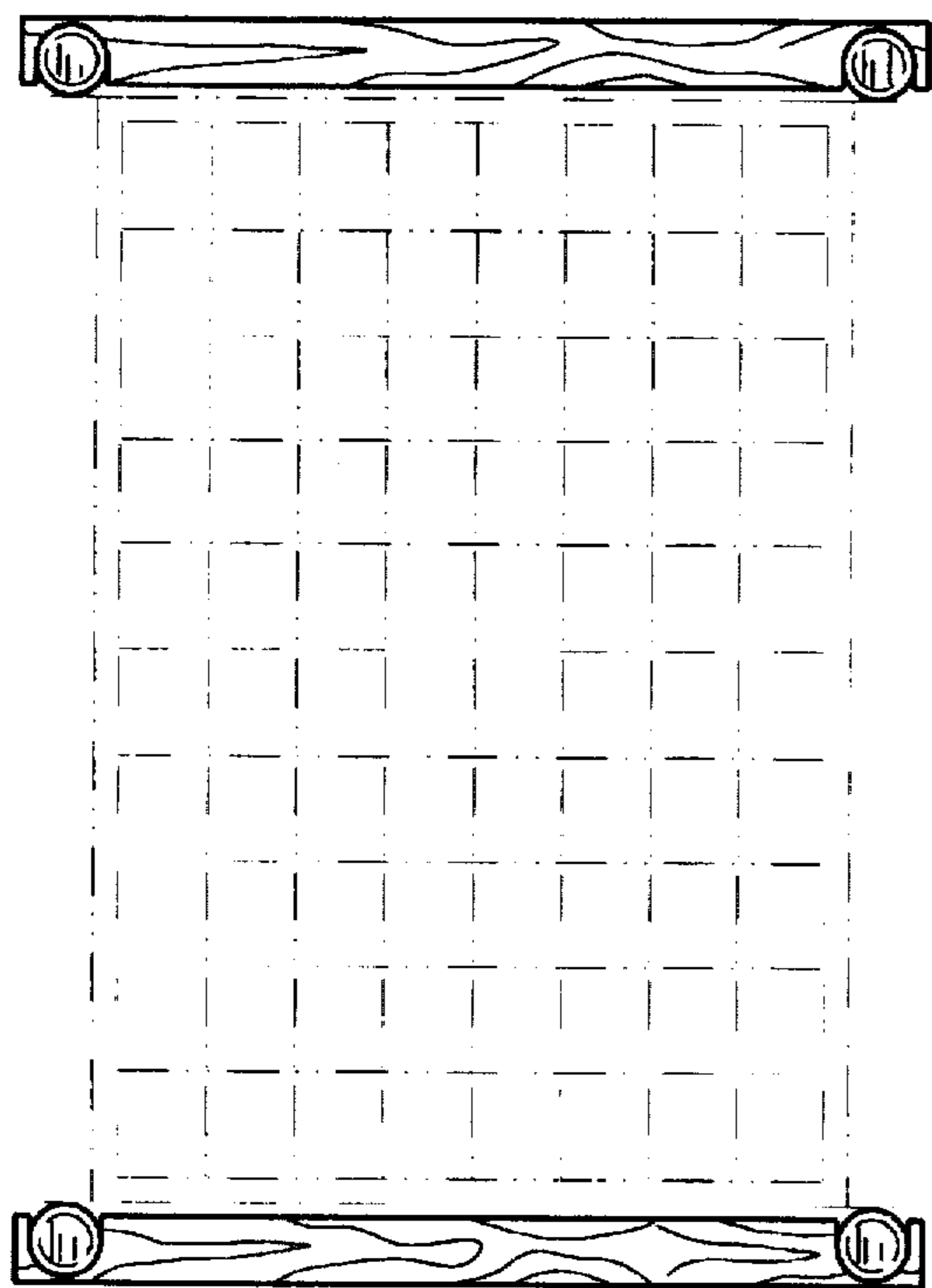


FIG. 4

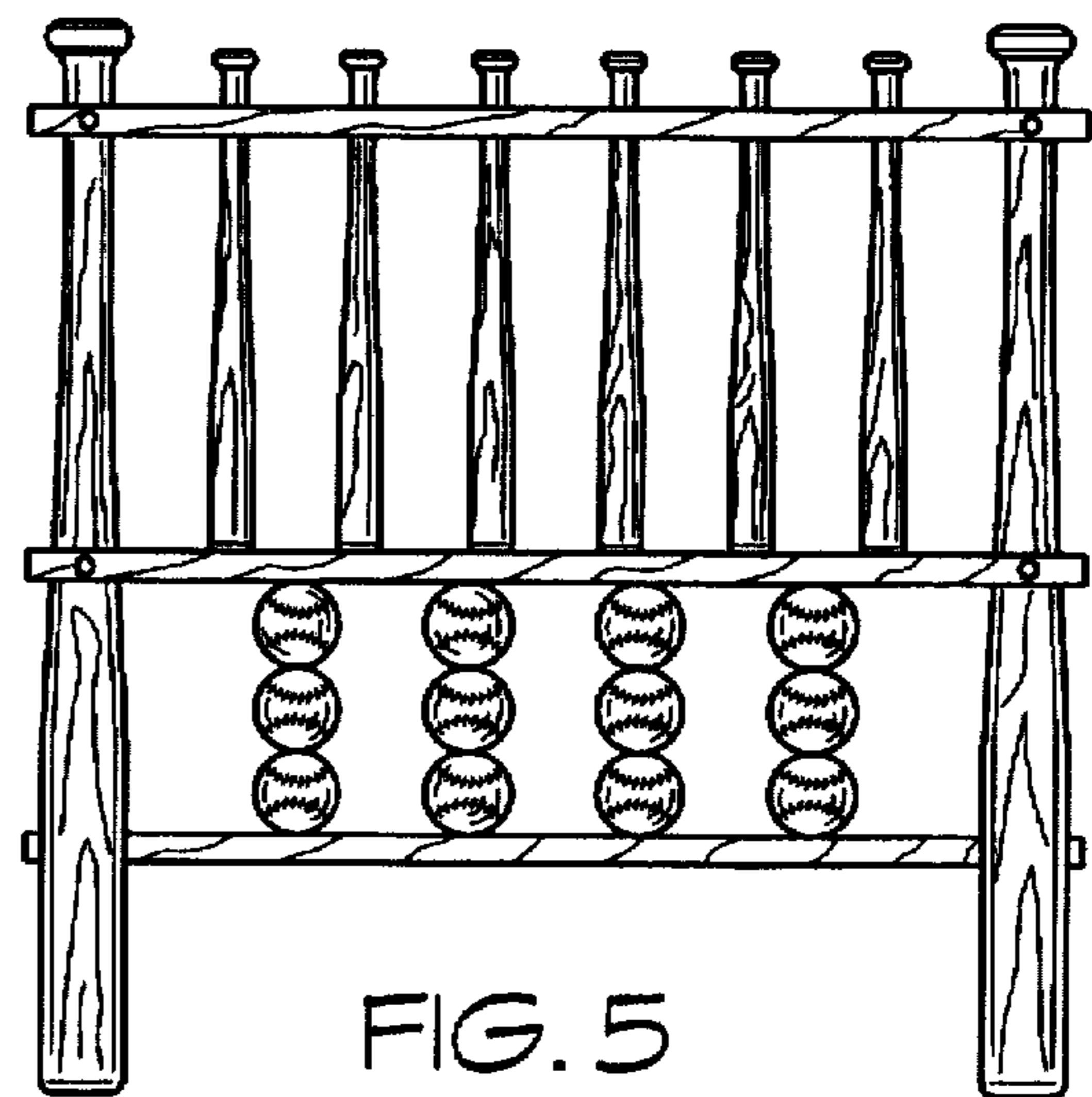


FIG. 5

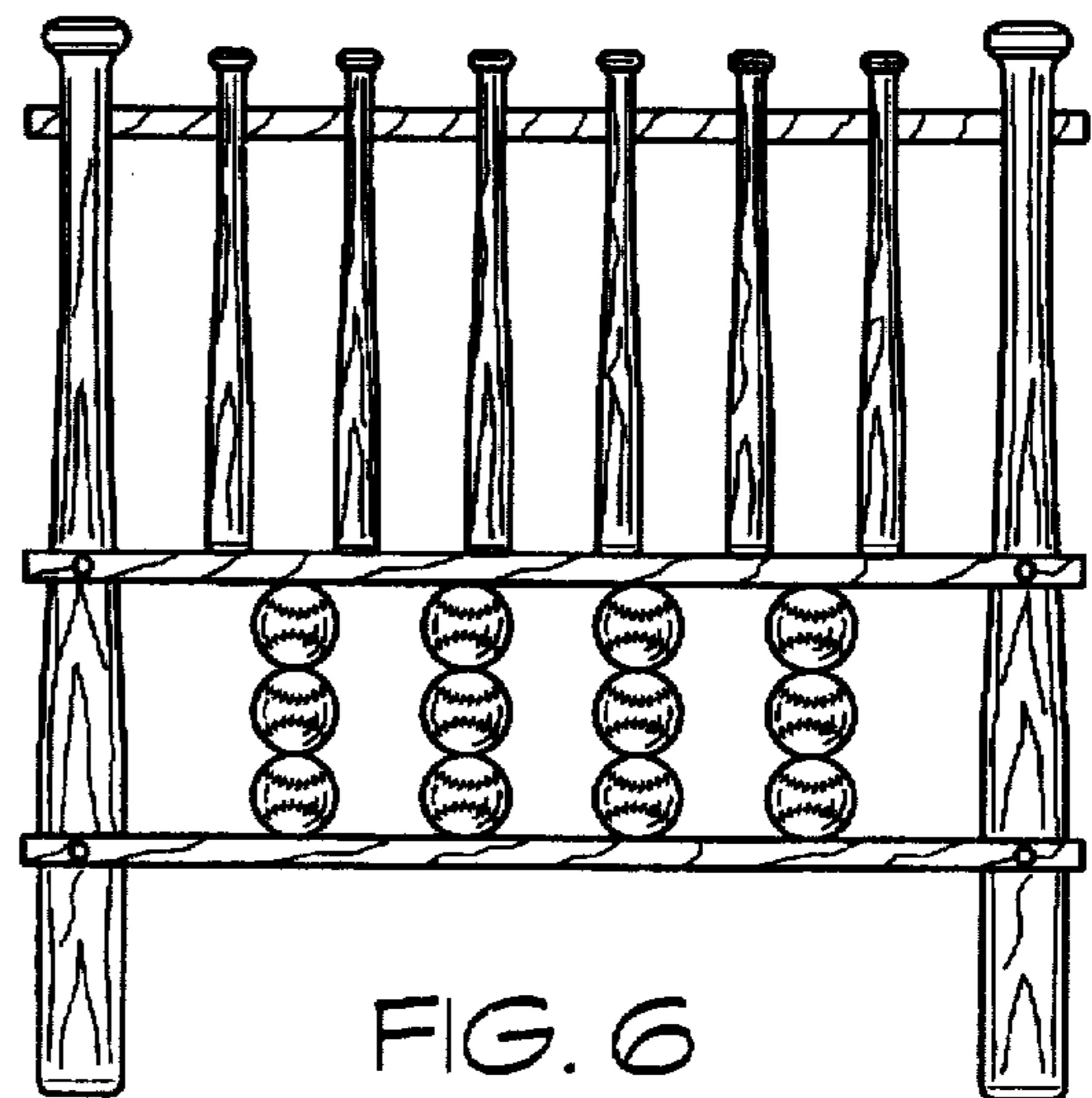


FIG. 6