



US00D384824S

**United States Patent** [19]  
**Johnson**

[11] **Patent Number:** **Des. 384,824**  
[45] **Date of Patent:** **\*\*Oct. 14, 1997**

[54] **PHOTOGRAPH DISPLAY BALL**  
[75] **Inventor:** **Maria Ward Johnson**, Toronto, Canada  
[73] **Assignee:** **The Photoball Company, Inc.**,  
Toronto, Canada  
[\*\*] **Term:** **14 Years**

D. 367,560 3/1996 Kwan ..... D6/302 X  
3,715,823 2/1973 Brossard ..... 40/798 X  
3,802,104 4/1974 Wiley ..... 40/729  
5,254,026 10/1993 Kaiser ..... 40/725 X

*Primary Examiner*—Janice E. Seeger  
*Attorney, Agent, or Firm*—Rudnick & Wolfe

[21] **Appl. No.:** **55,846**  
[22] **Filed:** **Jun. 14, 1996**

[57] **CLAIM**  
The ornamental design of a photograph display ball, as shown and described.

[51] **LOC (6) Cl.** ..... **06-07**  
[52] **U.S. Cl.** ..... **D6/314; D11/121; D6/309**  
[58] **Field of Search** ..... **D6/300-302, 308-314,**  
**D6/470, 472; 40/700, 711, 714-716, 720,**  
**725, 765-767, 790, 798; D11/121**

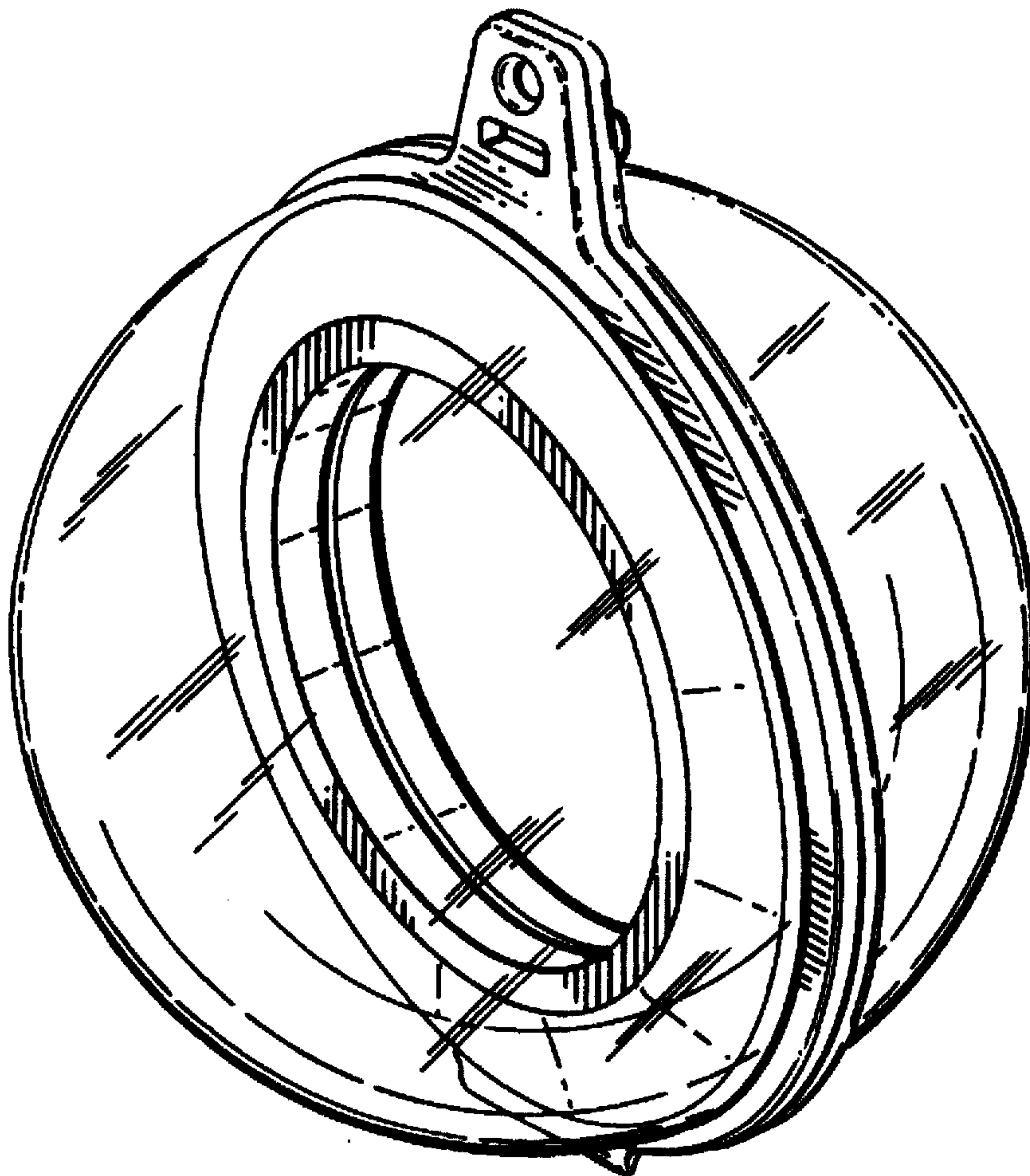
**DESCRIPTION**

FIG. 1 is a perspective view showing my new design;  
FIG. 2 is a frontal view thereof;  
FIG. 3 is a side elevational view thereof;  
FIG. 4 is a rear view thereof;  
FIG. 5 is a side elevational view thereof;  
FIG. 6 is a top view thereof; and,  
FIG. 7 is a bottom view thereof.

[56] **References Cited**  
**U.S. PATENT DOCUMENTS**

D. 158,699 5/1950 Wasilevich ..... D6/314  
D. 219,851 2/1971 Loewy ..... D6/472

**1 Claim, 2 Drawing Sheets**



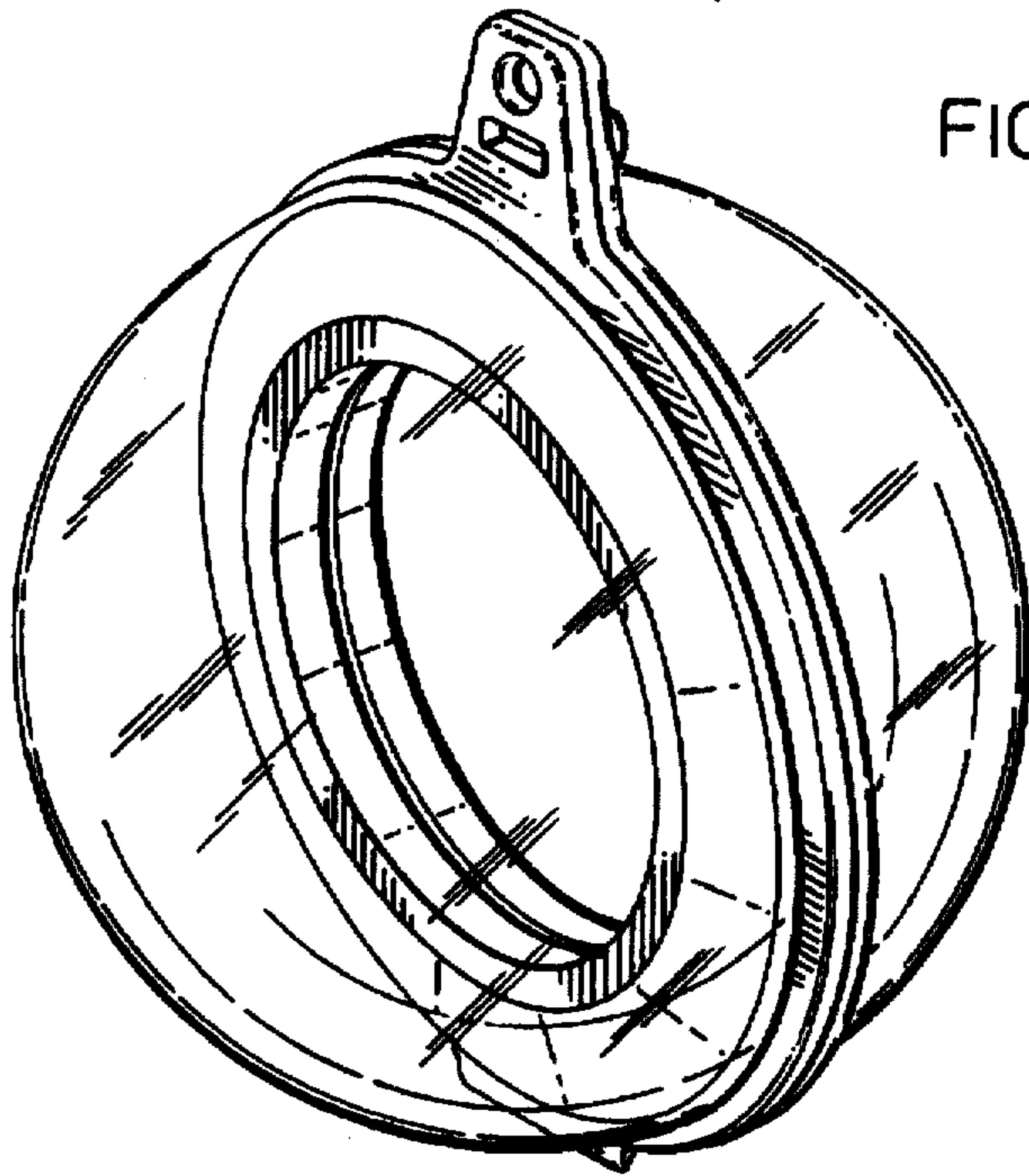


FIG. 1.

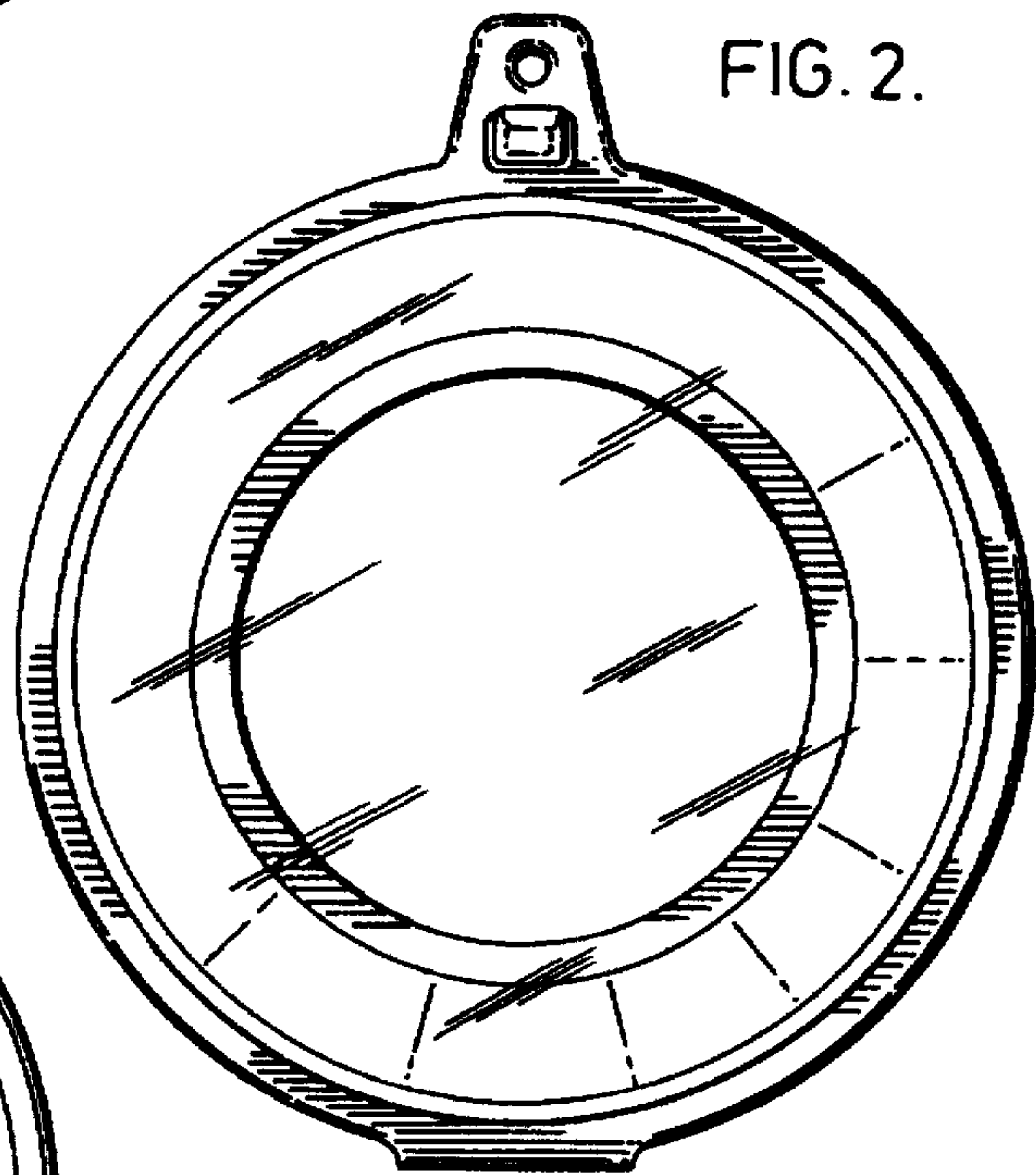


FIG. 2.

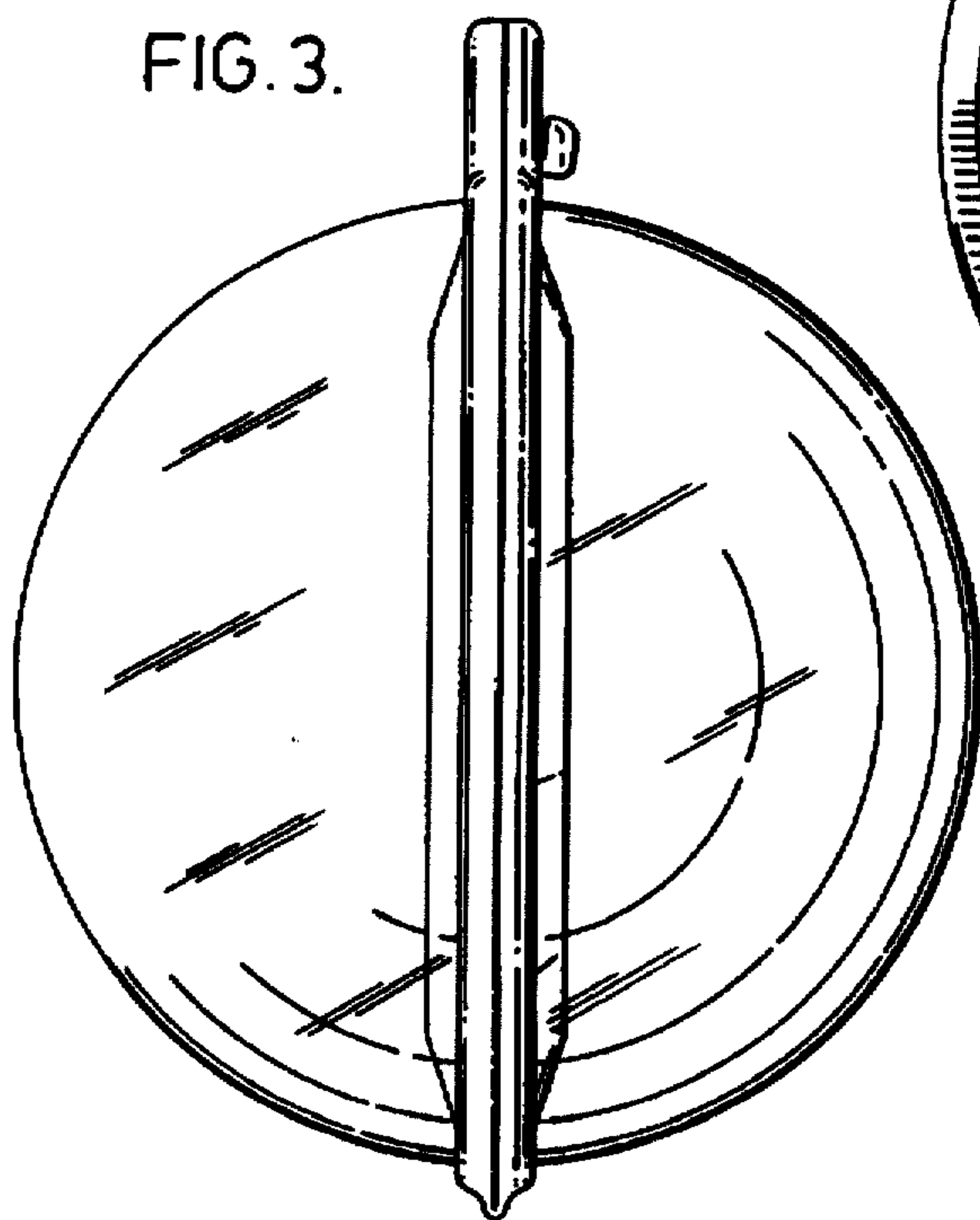


FIG. 3.

FIG. 4.

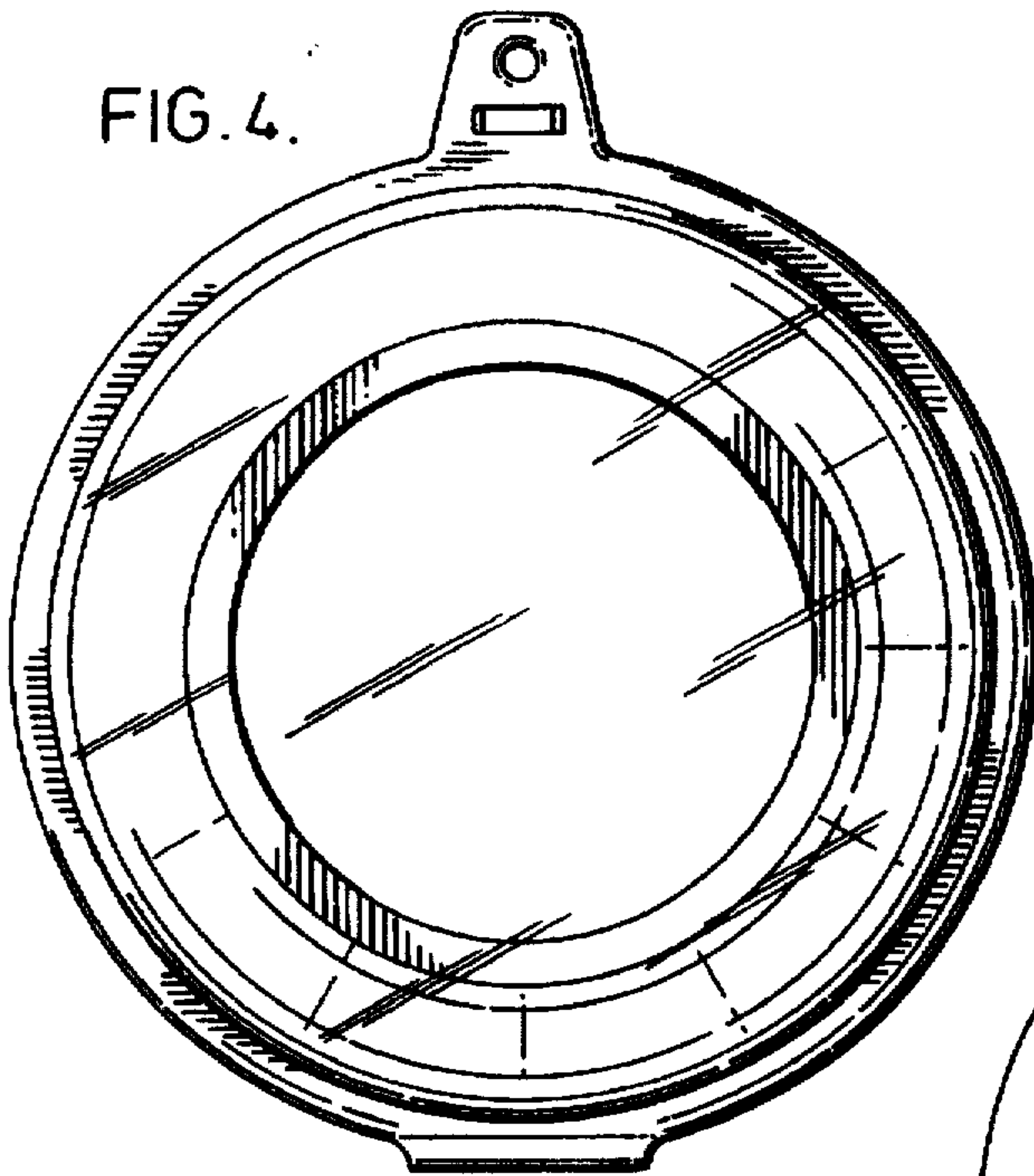


FIG. 5.

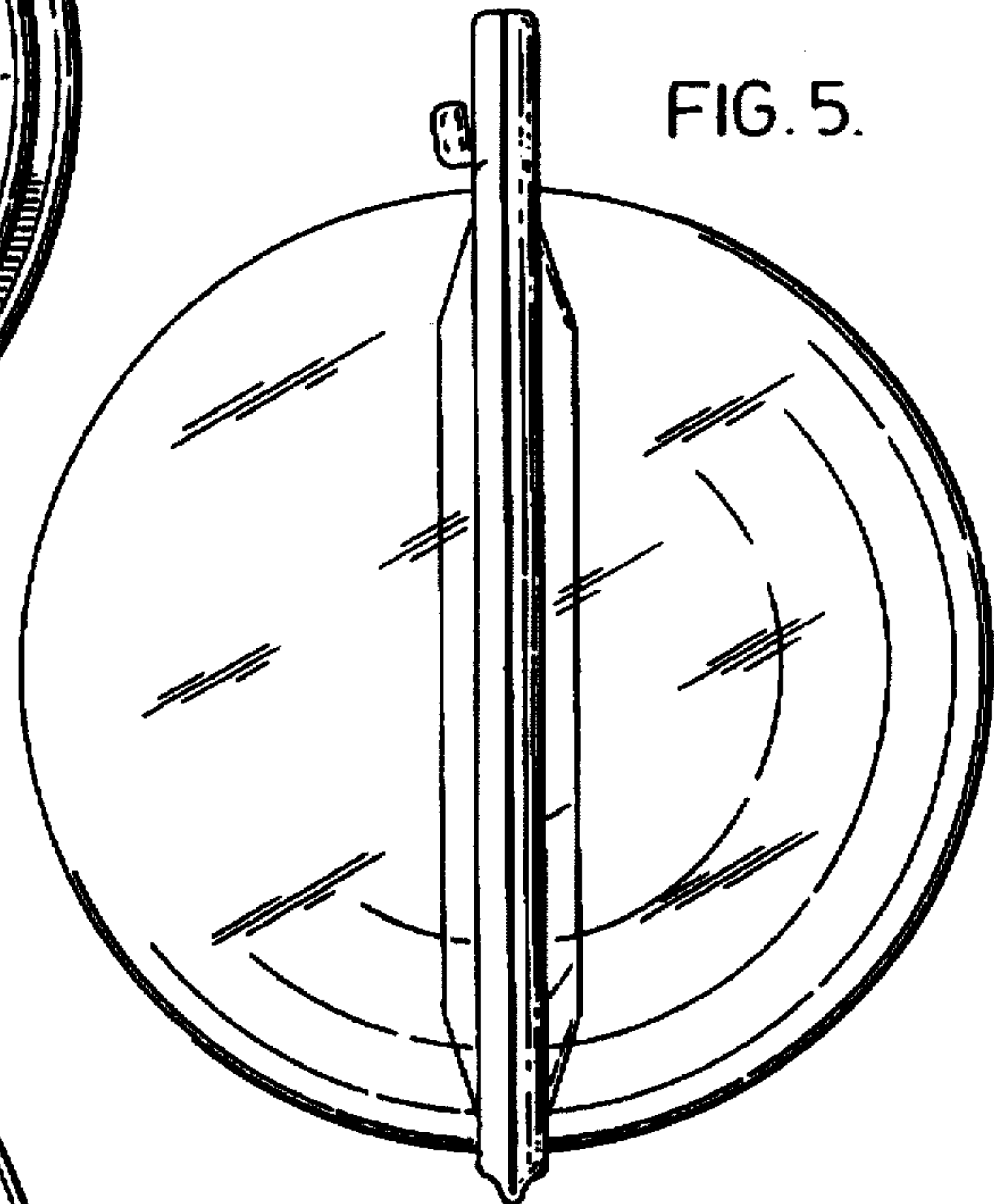


FIG. 6.

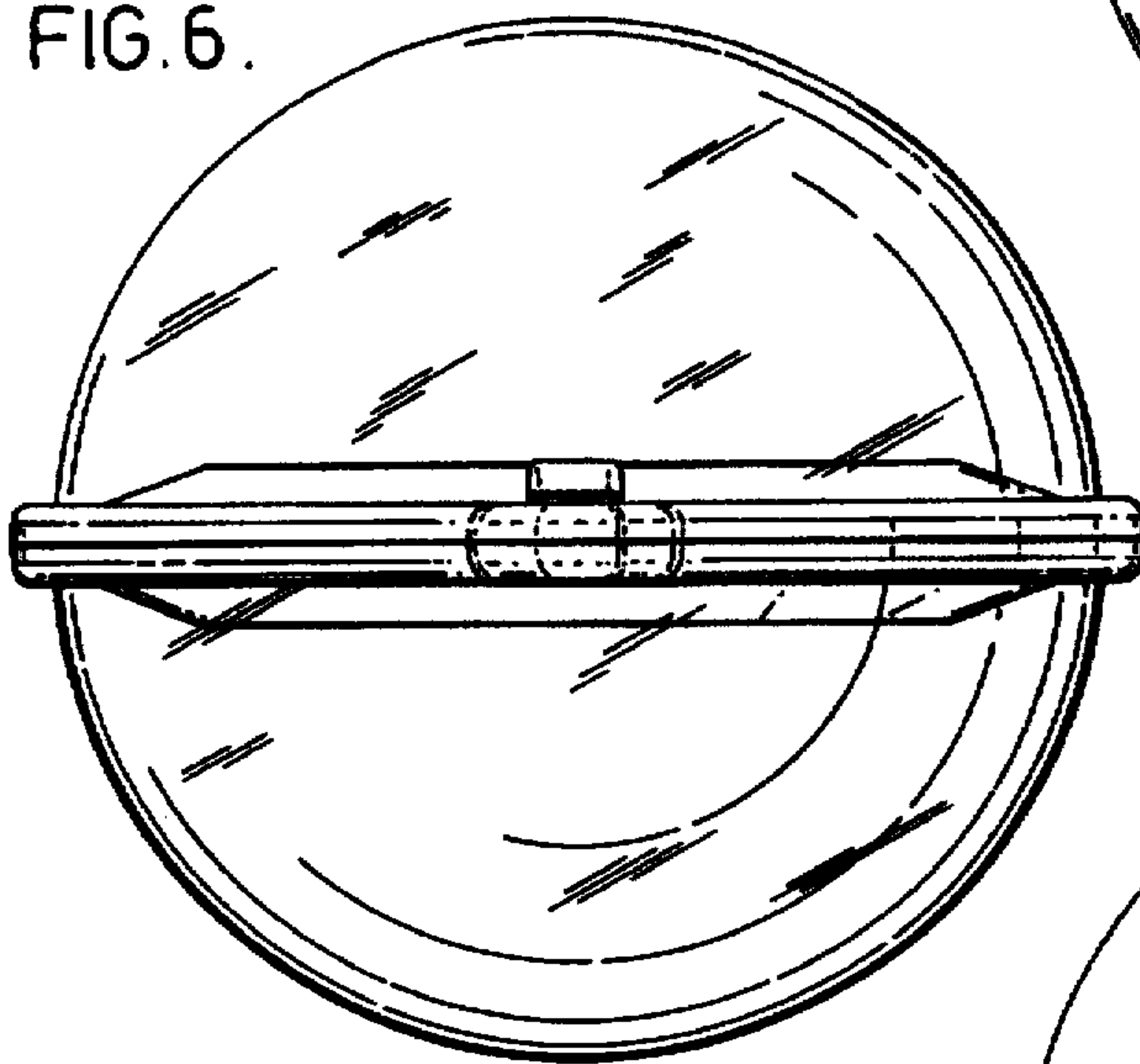


FIG. 7.

