



US00D384823S

United States Patent [19]

[11] Patent Number: **Des. 384,823**

Sugar et al.

[45] Date of Patent: ****Oct. 14, 1997**

[54] **COMBINATION HUMIDOR/PICTURE FRAME**

2,689,060	9/1954	Katzman	40/724	X
3,589,049	6/1971	Cornelius	40/711	X
5,546,687	8/1996	Iorfida	40/714	

[76] Inventors: **David Sugar**, 411 S. Third Ave., Superior, Colo. 80027; **Allyson McDuffie**, P.O. Box 18671, Boulder, Colo. 80308

Primary Examiner—Janice E. Seeger

[**] Term: **14 Years**

[57] CLAIM

[21] Appl. No.: **58,592**

The ornamental design for a combination humidor/picture frame, as shown and described.

[22] Filed: **Aug. 19, 1996**

DESCRIPTION

[51] LOC (6) Cl. **06-07**

FIG. 1 is a top plan view of a combination humidor/picture frame, showing our new design;

[52] U.S. Cl. **D6/300; D27/186; D27/187; D27/189**

FIG. 2 is a front elevational view thereof;

[58] **Field of Search** D6/300-302, 308-314, D6/470, 472; D27/186, 187, 189, 172, 183; D20/19; 312/31; 206/242, 265; 40/700, 714-716, 721-724, 725, 779, 765-767, 790, 798

FIG. 3 is a side elevational view thereof, showing the lid partially open;

FIG. 4 is a partial sectional view showing the lid in a closed position; and,

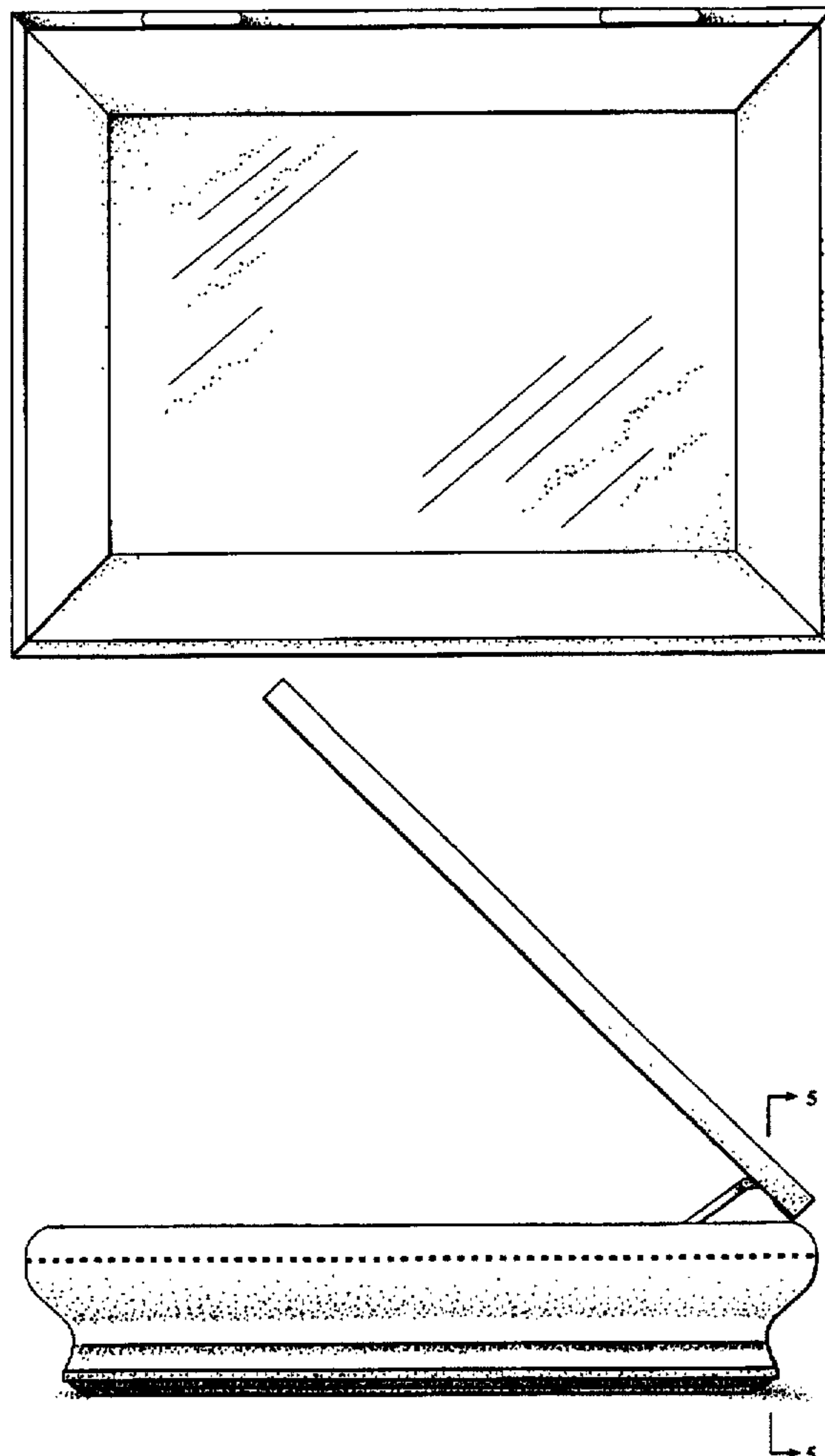
FIG. 5 is a partial sectional view showing the lid in the open position.

[56] References Cited

U.S. PATENT DOCUMENTS

2,649,799 8/1953 Spertus 40/721

1 Claim, 4 Drawing Sheets



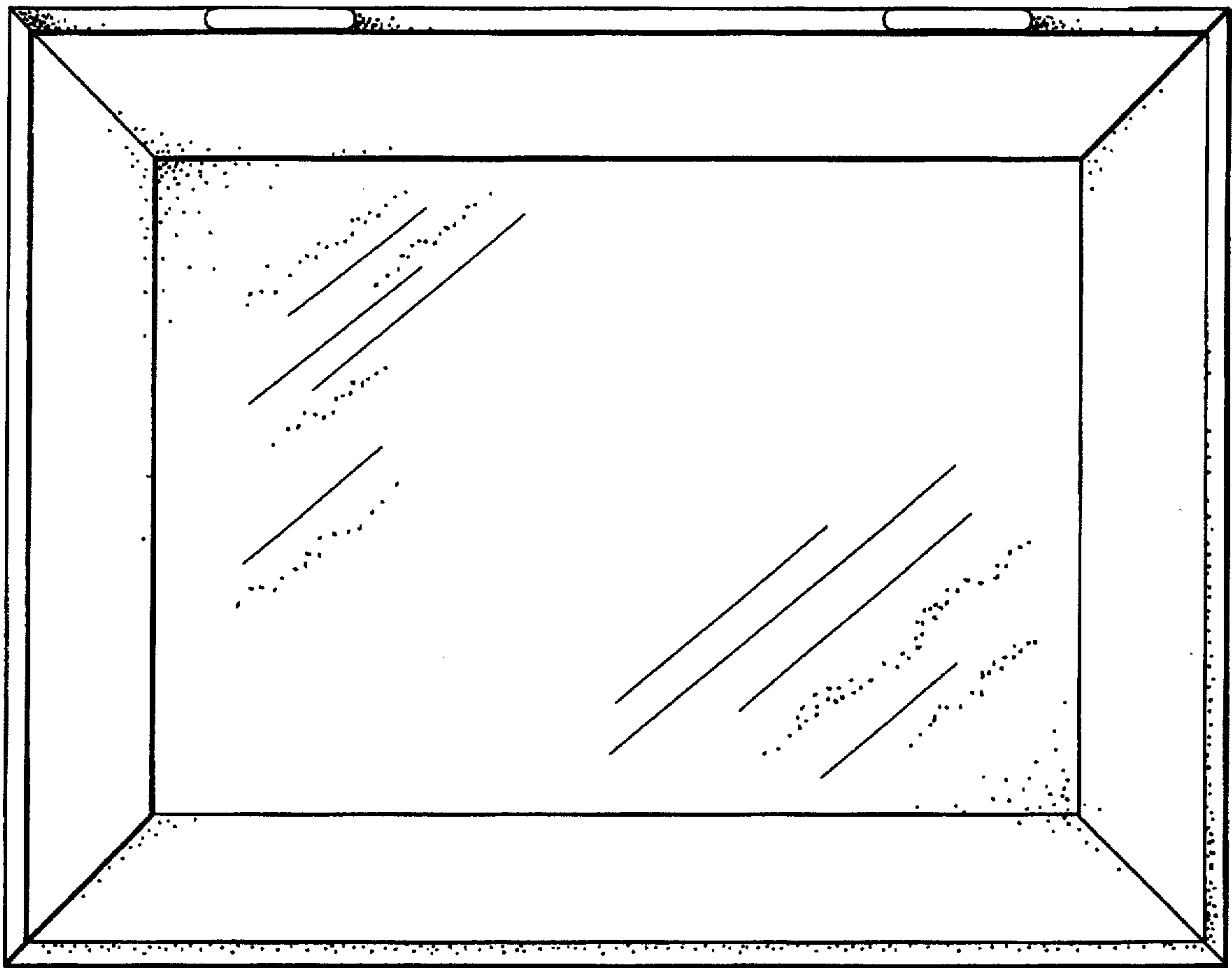


Fig. 1

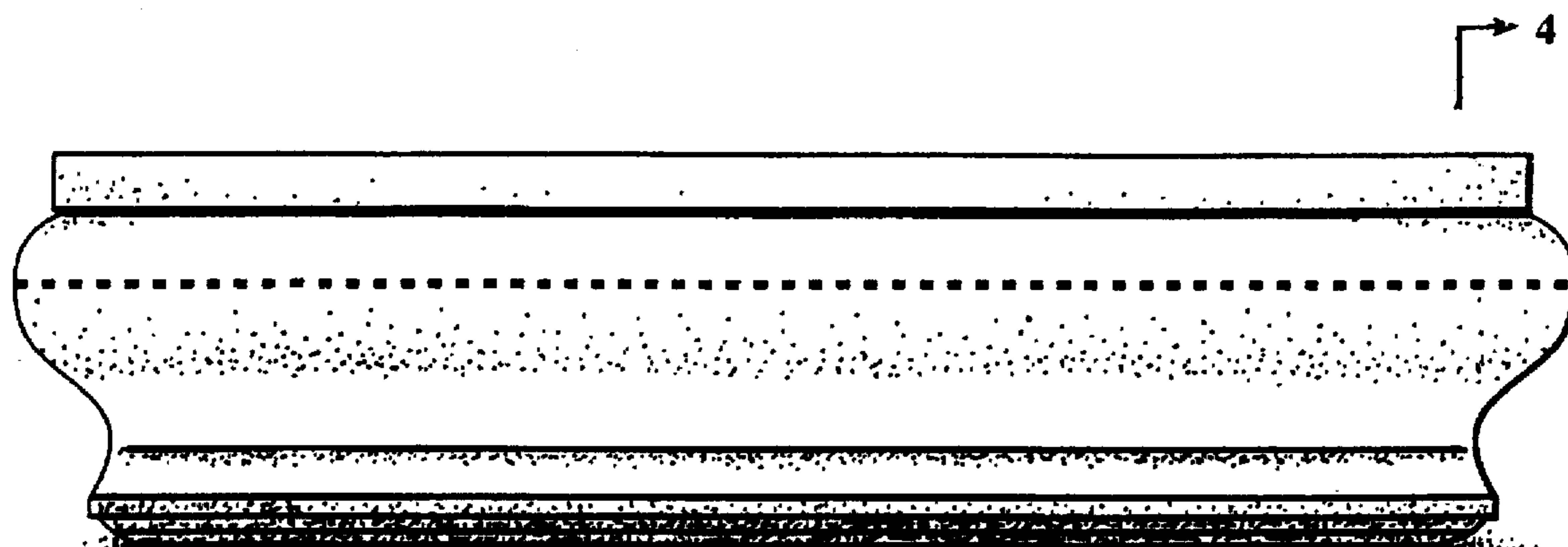


Fig. 2

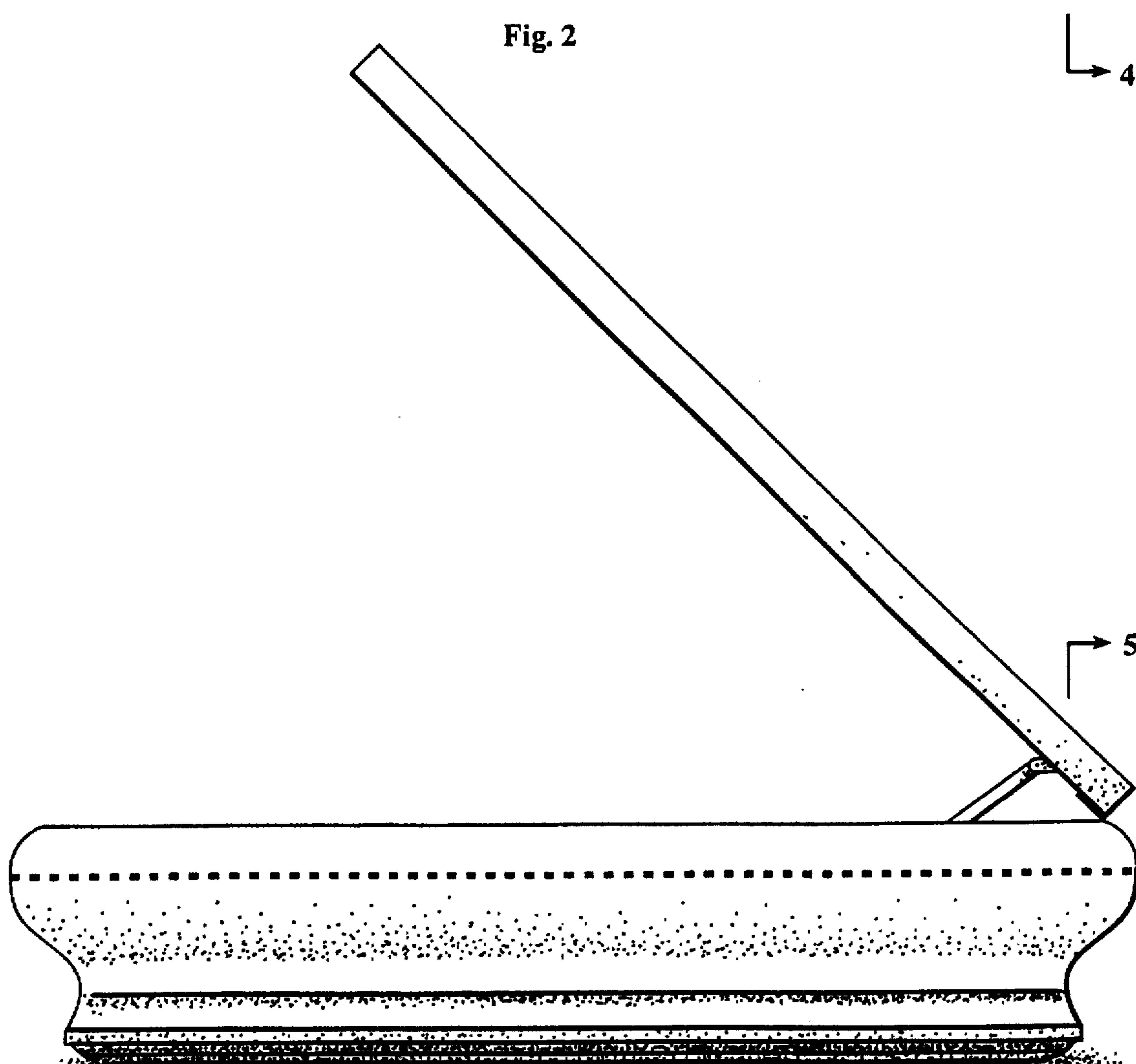


Fig. 3

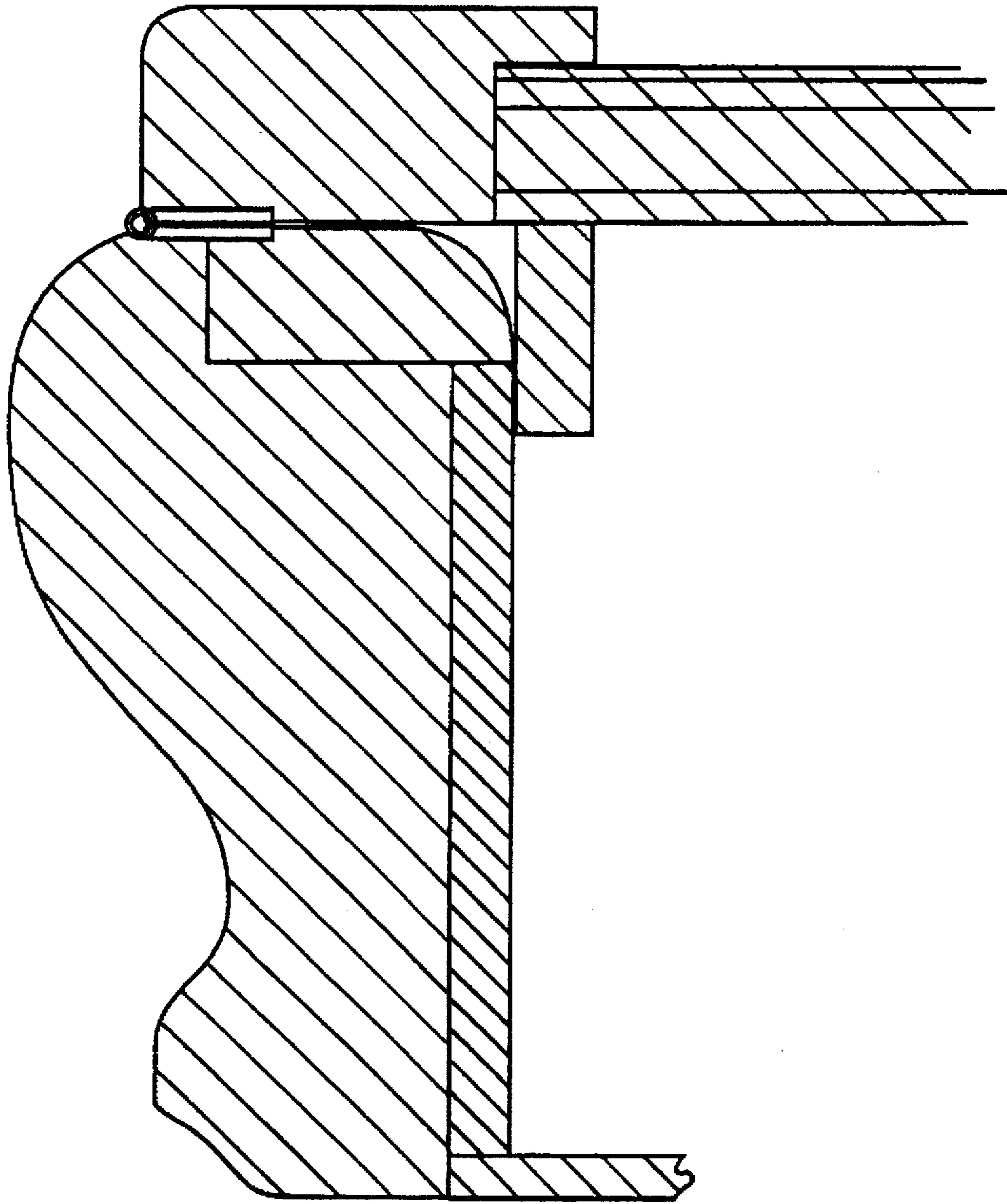


Fig. 4

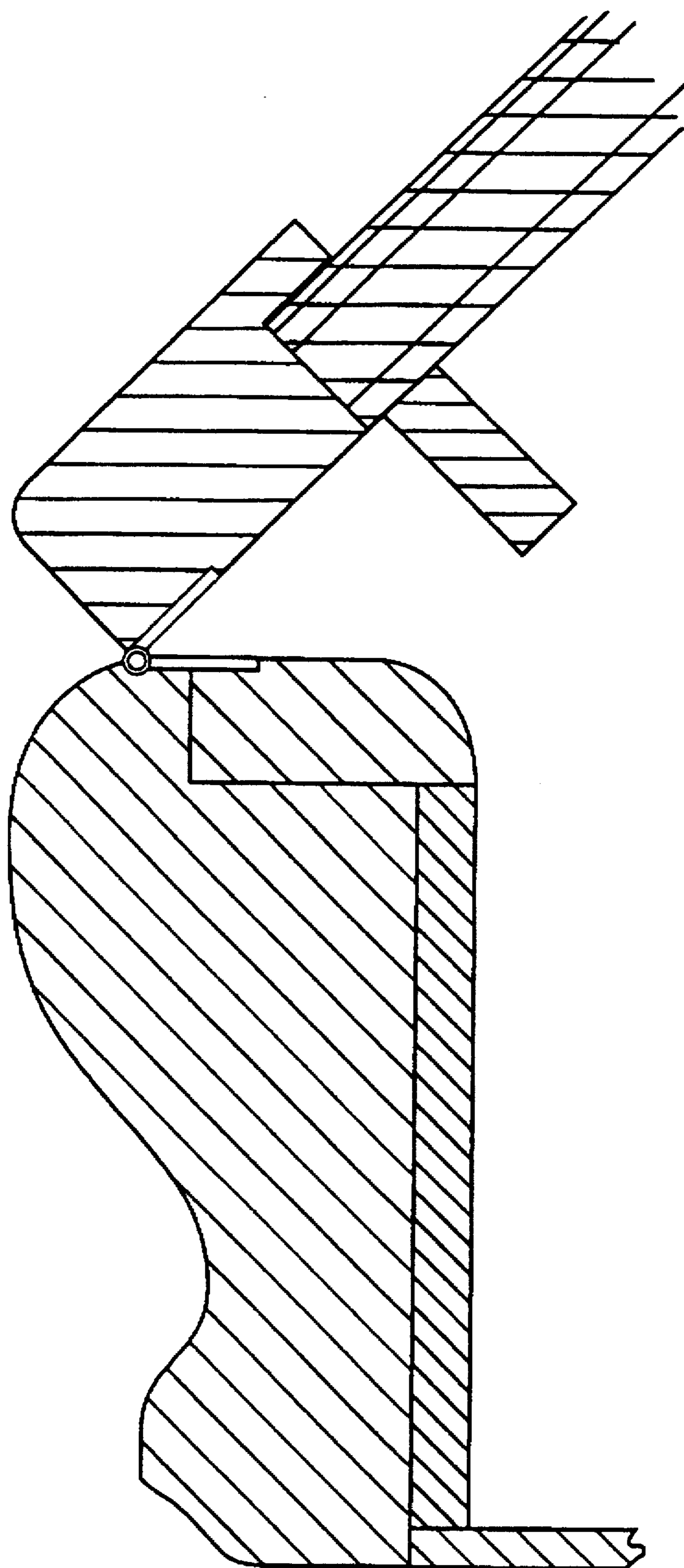


Fig. 5