



US00D384821S

United States Patent [19] Sugar

[11] Patent Number: **Des. 384,821**

[45] Date of Patent: ****Oct. 14, 1997**

[54] **COMBINATION HUMIDOR/PICTURE FRAME**

[76] Inventor: **David Sugar**, 411 S. Third Ave., Superior, Colo. 80027

[**] Term: **14 Years**

[21] Appl. No.: **58,580**

[22] Filed: **Aug. 19, 1996**

[51] LOC (6) Cl. **06-07**

[52] U.S. Cl. **D6/300; D27/186; D27/187; D27/189**

[58] Field of Search **D6/300-302, 308-314, D6/470, 472; D27/186, 187, 189, 172, 183; D20/19; 312/31; 206/242, 265; 40/700, 714-716, 721-724, 725, 779, 765-767, 790, 798**

[56] **References Cited**

U.S. PATENT DOCUMENTS

D. 142,056 8/1945 Barrett D6/311

2,649,799 8/1953 Spertus 40/721
2,689,060 9/1954 Katzman 40/724 X
3,589,049 6/1971 Cornelius 40/711 X
5,546,687 8/1996 Iorfida 40/714

Primary Examiner—Janice E. Seeger

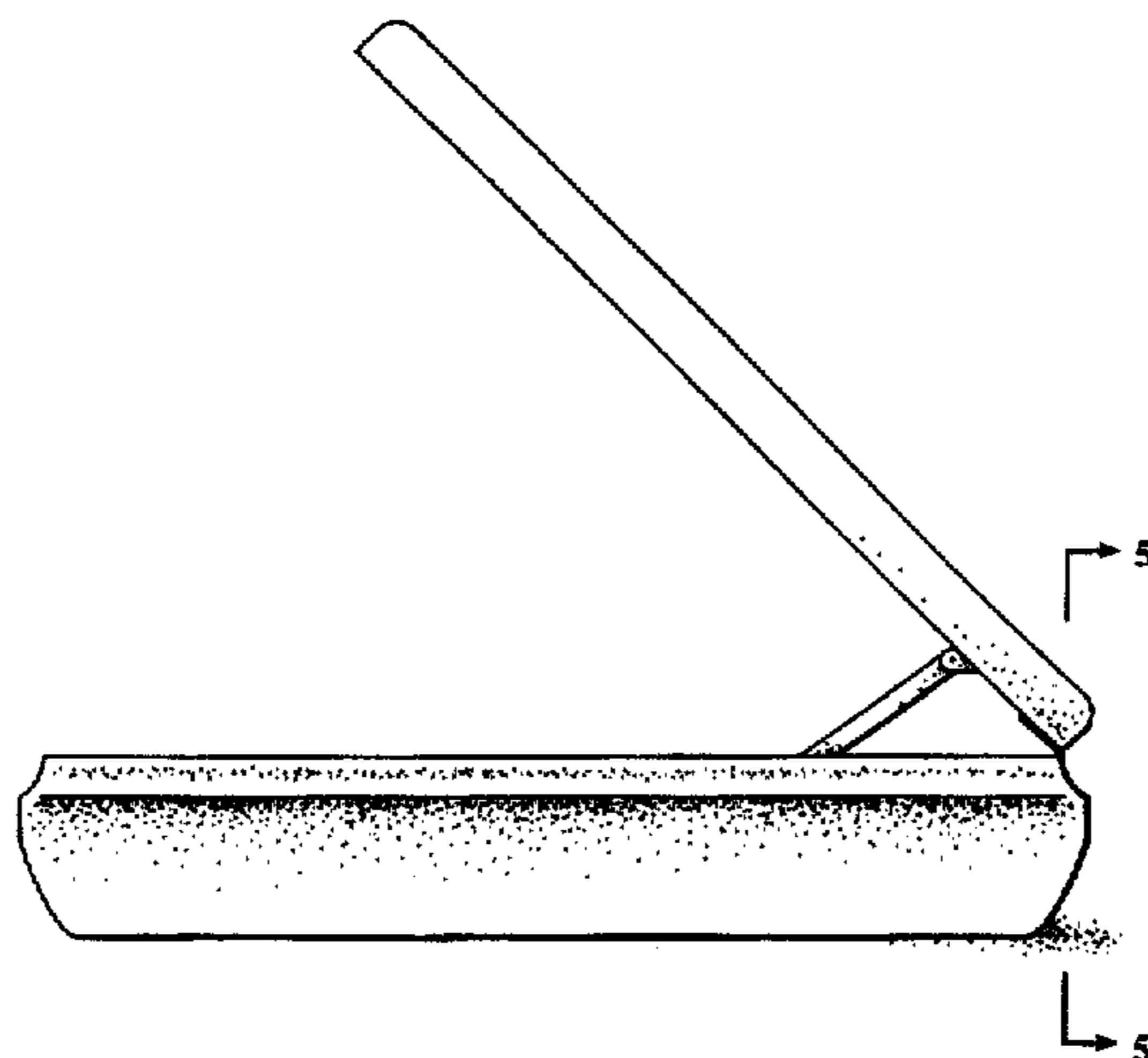
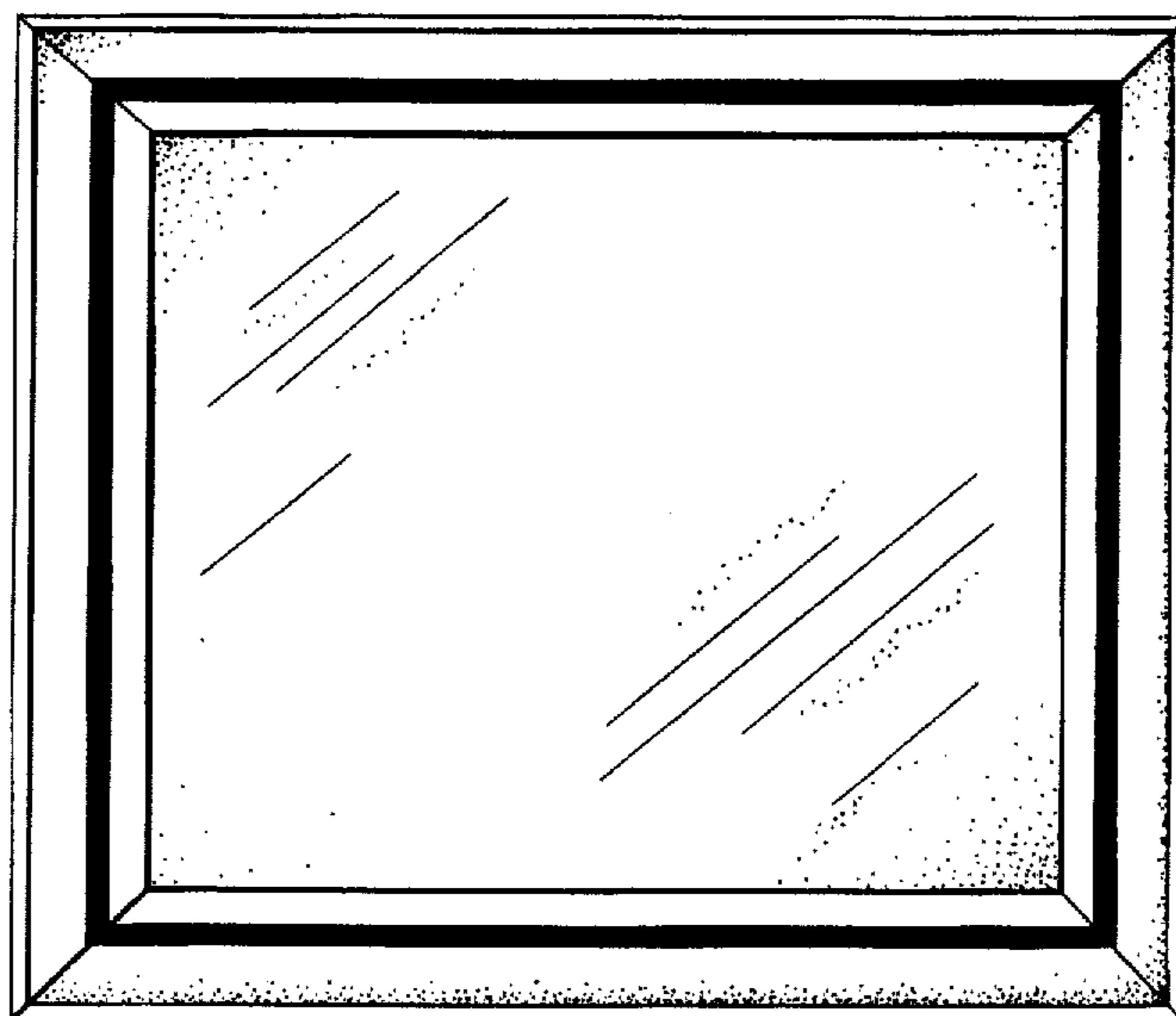
[57] **CLAIM**

The ornamental design for a combination humidor/picture frame, as shown and described.

DESCRIPTION

FIG. 1 is a top plan view of a combination humidor/picture frame, showing my new design;
FIG. 2 is a front elevational view thereof;
FIG. 3 is a side elevational view thereof, showing the lid partially open;
FIG. 4 is a partial sectional view showing the lid in a closed position; and,
FIG. 5 is a partial sectional view showing the lid in the open position.

1 Claim, 4 Drawing Sheets



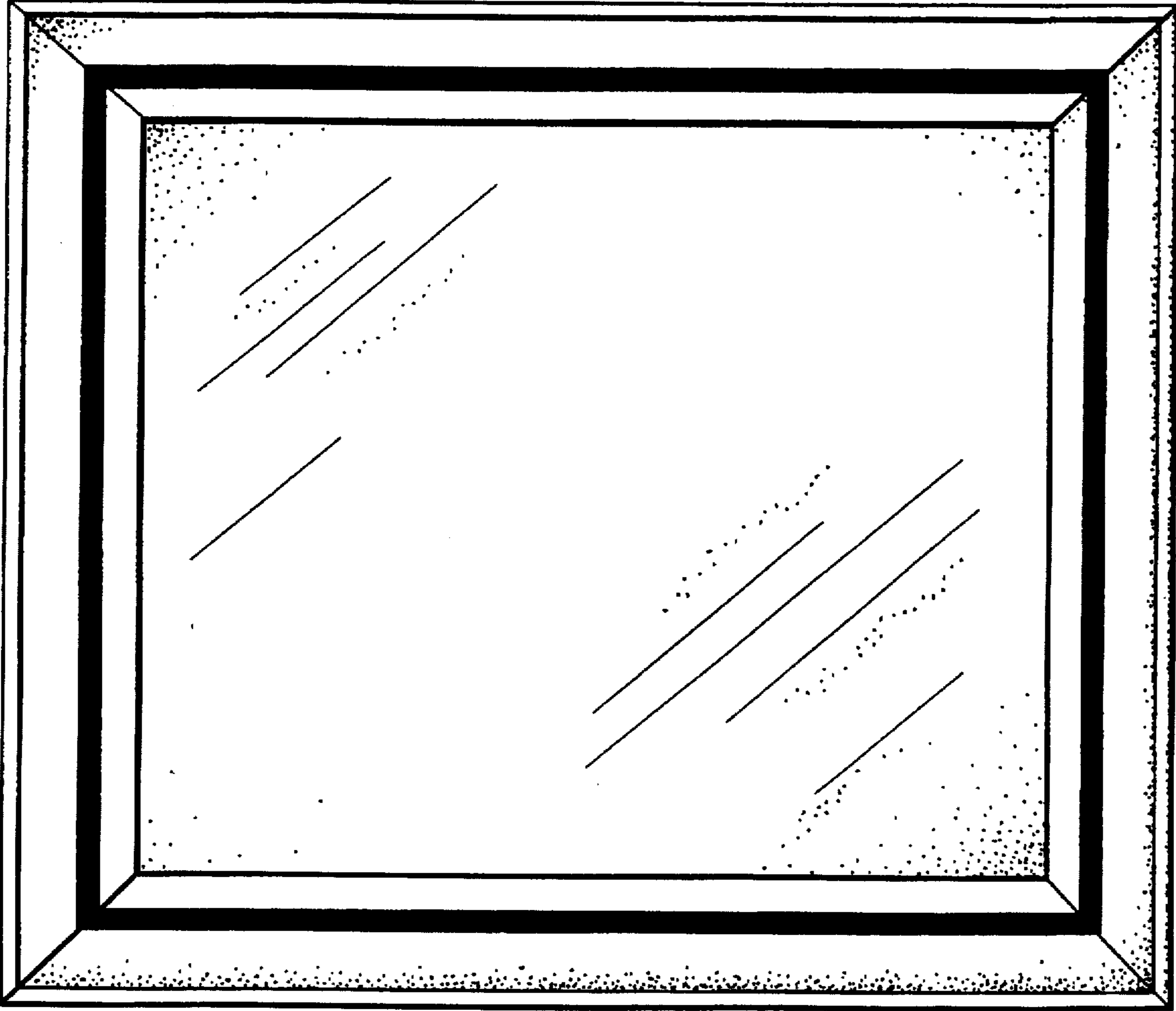
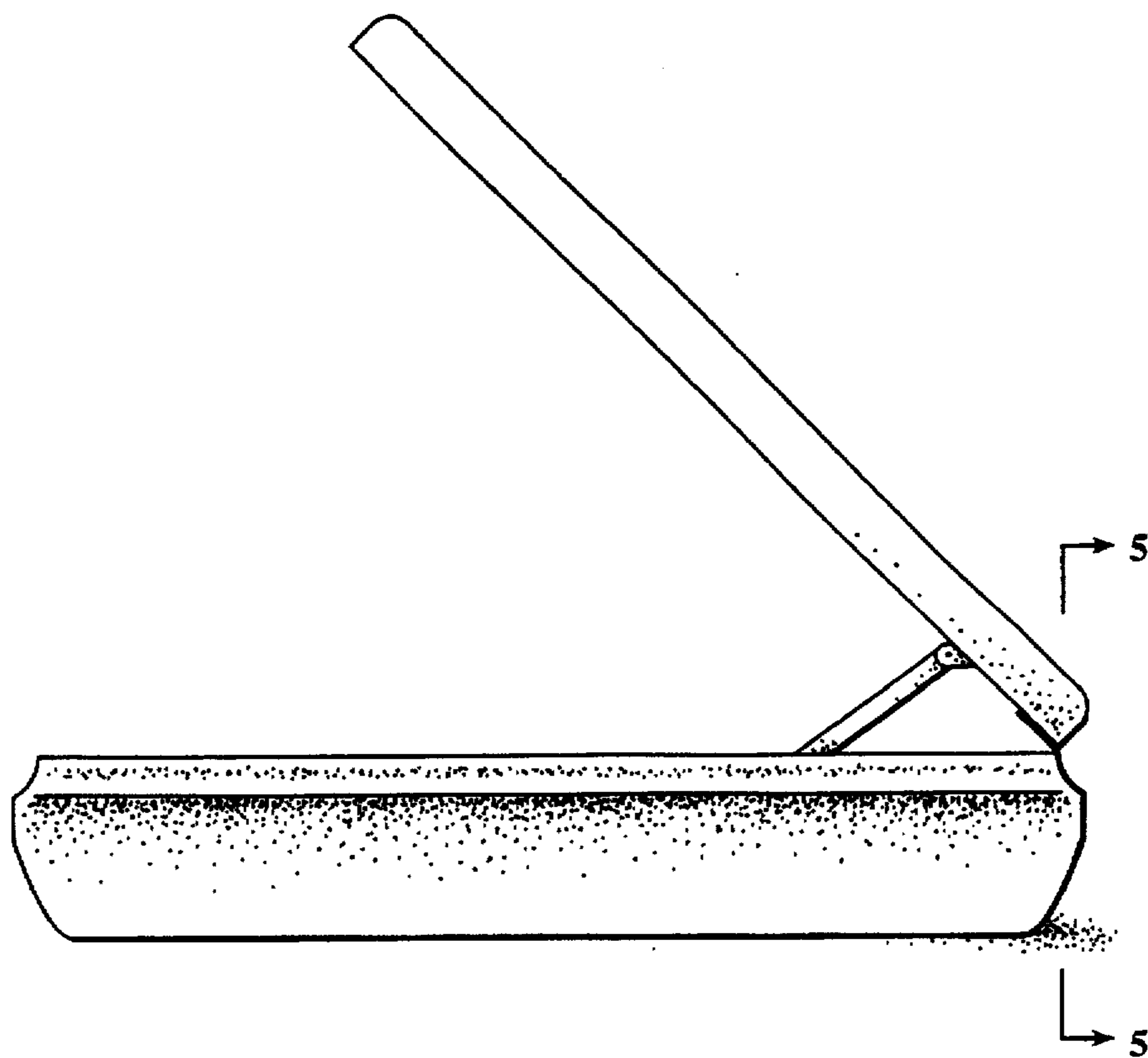
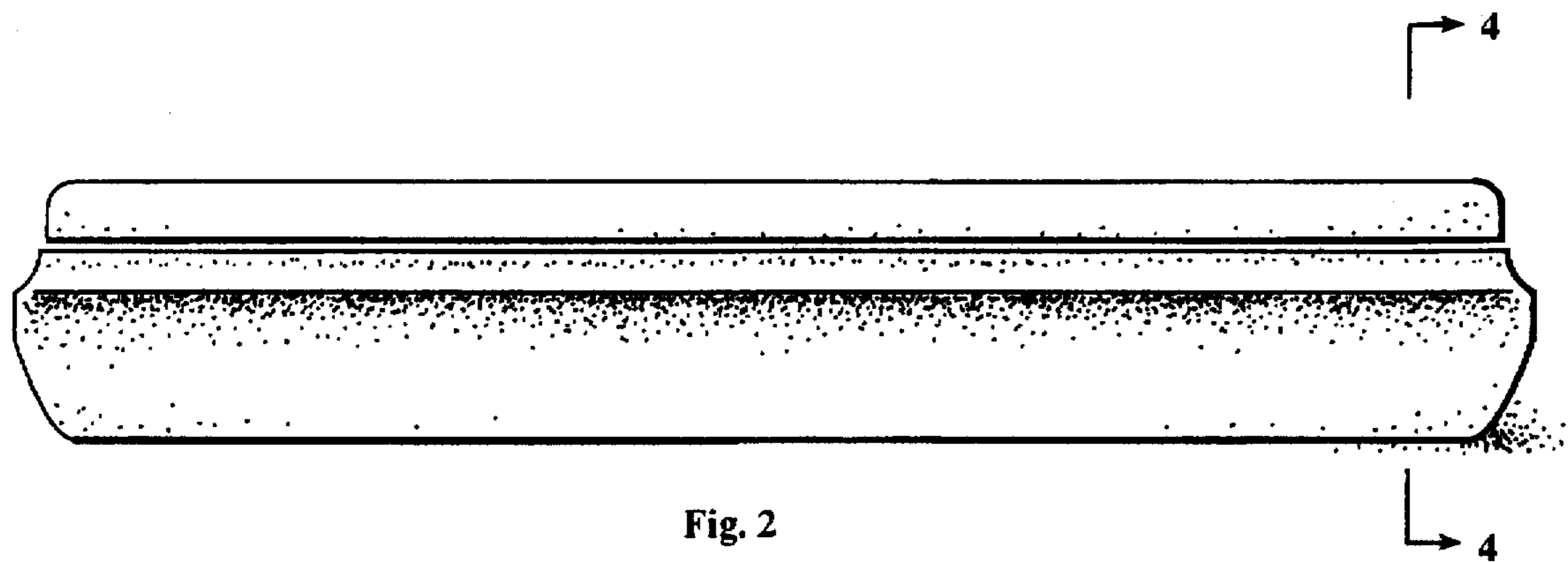


Fig. 1



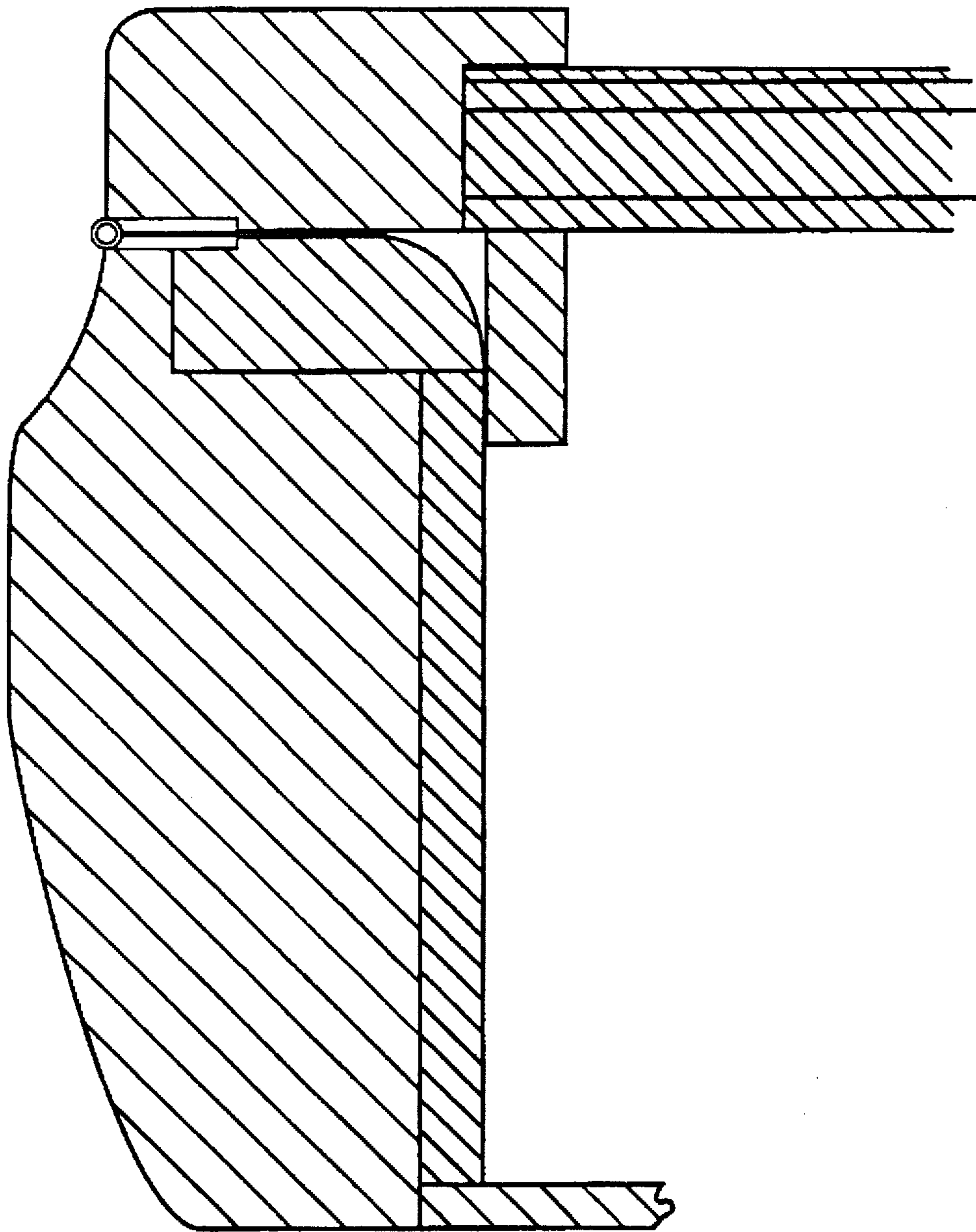


Fig. 4

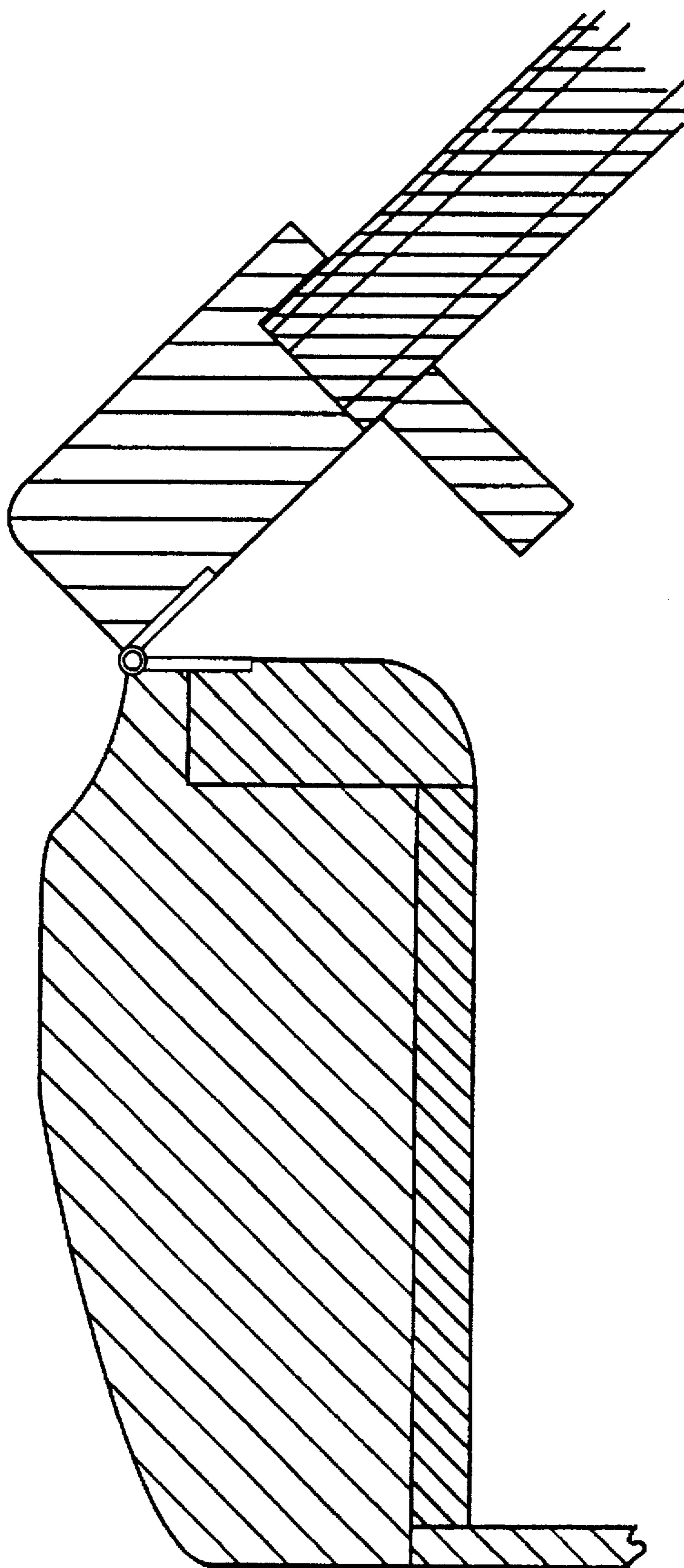


Fig. 5