



US00D384817S

United States Patent [19]

Narubin et al.

[11] Patent Number: **Des. 384,817**

[45] Date of Patent: ****Oct. 14, 1997**

[54] **FERRULE FOR A PAINT BRUSH**

[75] Inventors: **Gunar Narubin, Chicago, Ill.; Brian L. Adkinson, Stettin, Wis.**

[73] Assignee: **Fiskars Inc., Madison, Wis.**

[**] Term: **14 Years**

[21] Appl. No.: **43,957**

[22] Filed: **Sep. 14, 1995**

(Under 37 CFR 1.47)

Related U.S. Application Data

[63] Continuation-in-part of Ser. No. 16,573, Dec. 20, 1993, Pat. No. Des. 362,550.

[51] LOC (6) Cl. **04-99**

[52] U.S. Cl. **D4/199**

[58] Field of Search D4/199, 135; 15/DIG. 4, 15/143.1, 159.1, 166, 169, 191.1, 192, 193, 248.1; 16/108, 109; 29/280

[56] References Cited

U.S. PATENT DOCUMENTS

11,129	6/1854	Martin	15/169
D. 288,988	3/1987	Fomby	D4/135
D. 351,065	10/1994	Lee	D4/135
376,540	1/1888	McQuide	15/143.1
3,968,950	7/1976	Gallo	15/143.1 X
3,996,417	12/1976	Annas	16/108 X
4,471,507	9/1984	Schwartz	15/194 X

FOREIGN PATENT DOCUMENTS

750214	2/1933	France	15/248.1
--------	--------	--------	----------

Primary Examiner—Brian N. Vinson
Assistant Examiner—Lavone D. Tabor
Attorney, Agent, or Firm—Foley & Lardner

[57] CLAIM

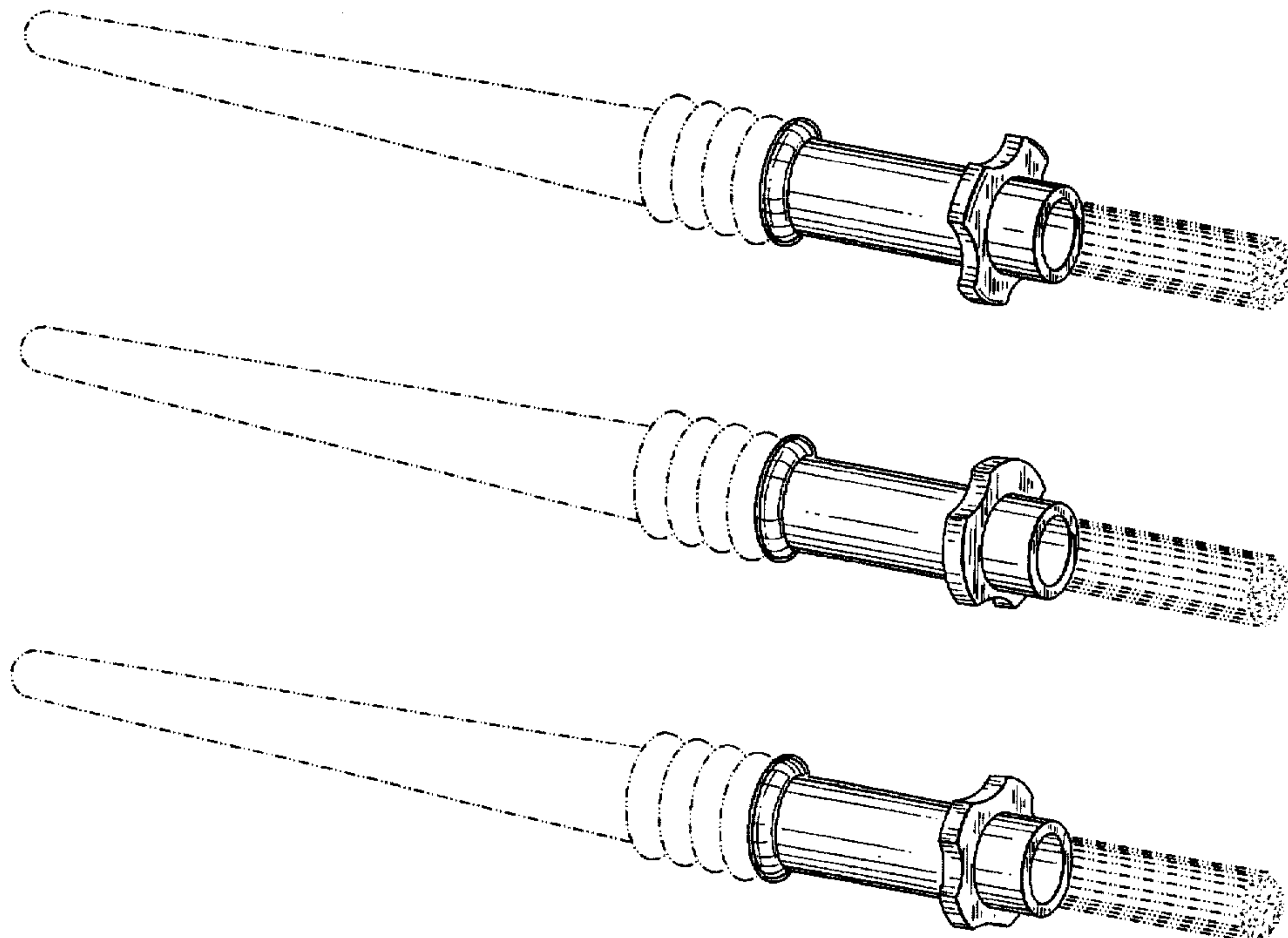
The ornamental design for a ferrule for a paint brush, as shown and described.

DESCRIPTION

FIG. 1 is a perspective view of the ferrule for a paint brush showing our new design;
 FIG. 2 is a front elevational view thereof, with the top and bottom plan views being identical thereto, and the rear elevational view being a mirror image thereof;
 FIG. 3 is a left side elevational view thereof;
 FIG. 4 is a right side elevational view thereof;
 FIG. 5 is a perspective view of a first modified embodiment of the ferrule for a paint brush;
 FIG. 6 is a front elevational view thereof, with the rear elevational view being a mirror image thereof;
 FIG. 7 is a top plan view thereof;
 FIG. 8 is a bottom plan view thereof;
 FIG. 9 is a left side elevational view thereof;
 FIG. 10 is a right side elevational view thereof;
 FIG. 11 is a perspective view of a second modified embodiment of the ferrule for a paint brush;
 FIG. 12 is a front elevational view thereof, with the rear elevational view being a mirror image thereof;
 FIG. 13 is a top plan view thereof;
 FIG. 14 is a bottom plan view thereof;
 FIG. 15 is a left side elevational view thereof; and,
 FIG. 16 is a right side elevational view thereof.

The broken line illustrations of the paint brush handle and of the bristles are for illustrative purposes only and form no part of the claimed design.

1 Claim, 3 Drawing Sheets



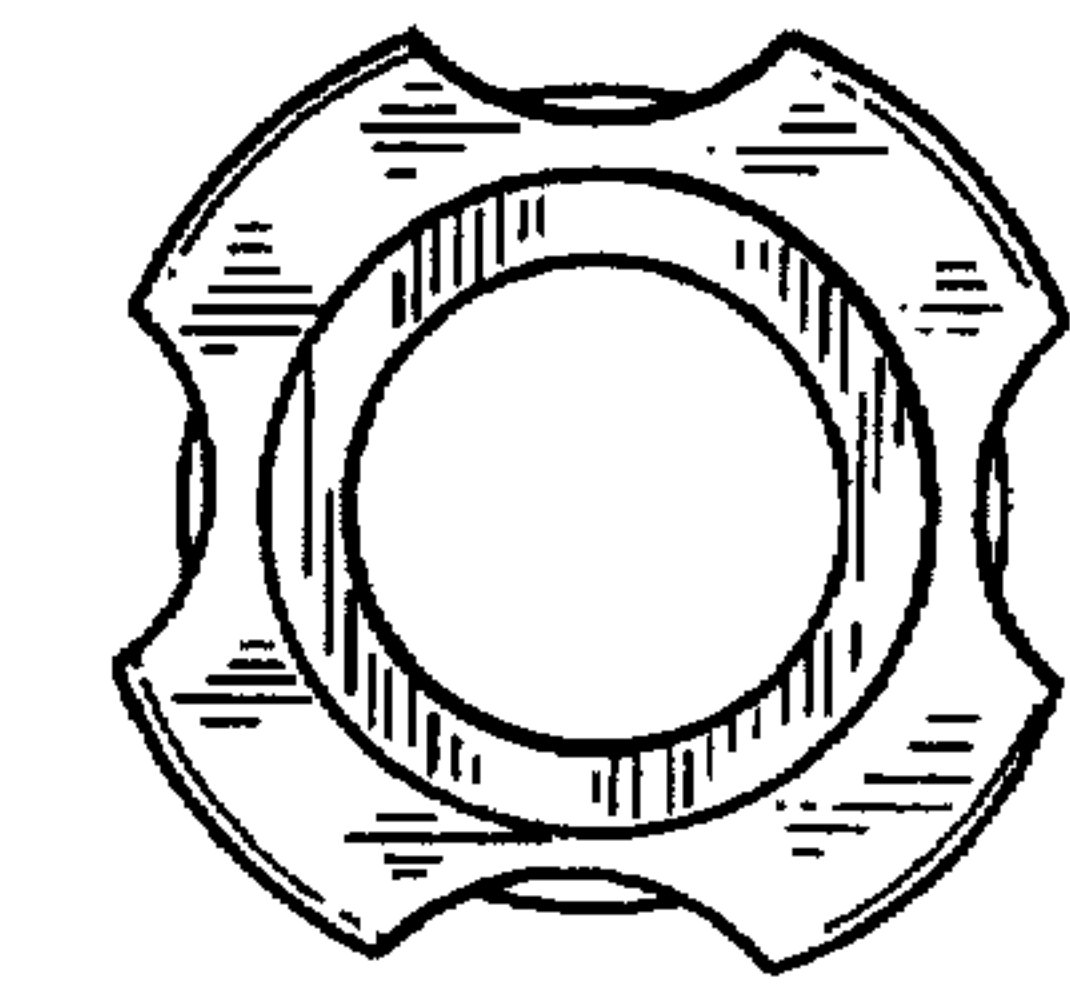
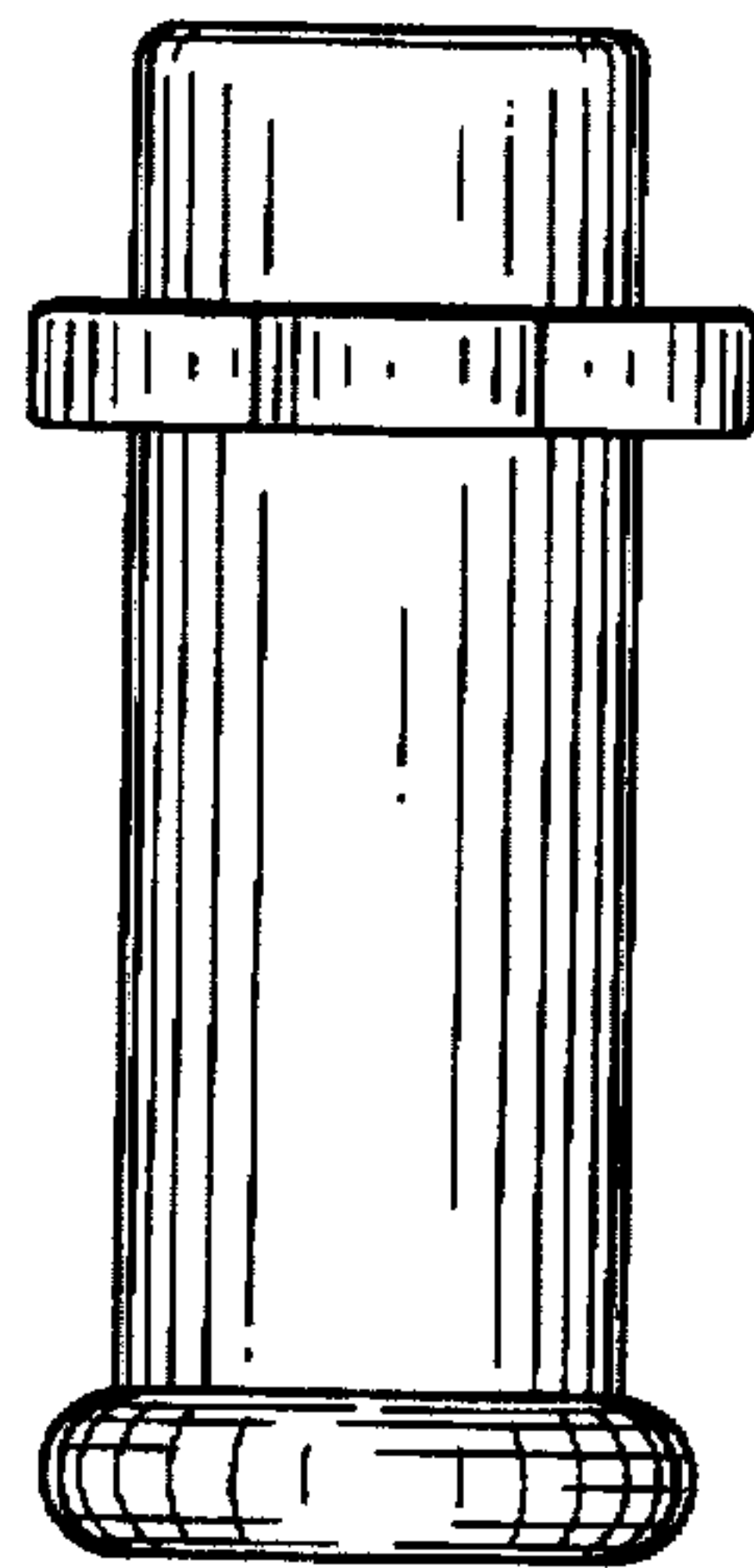
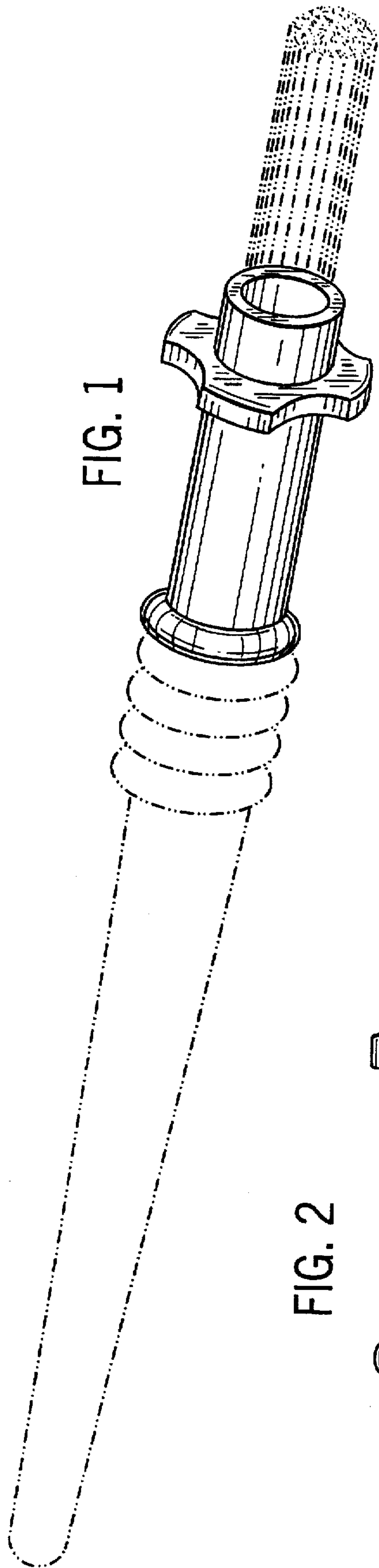


FIG. 4

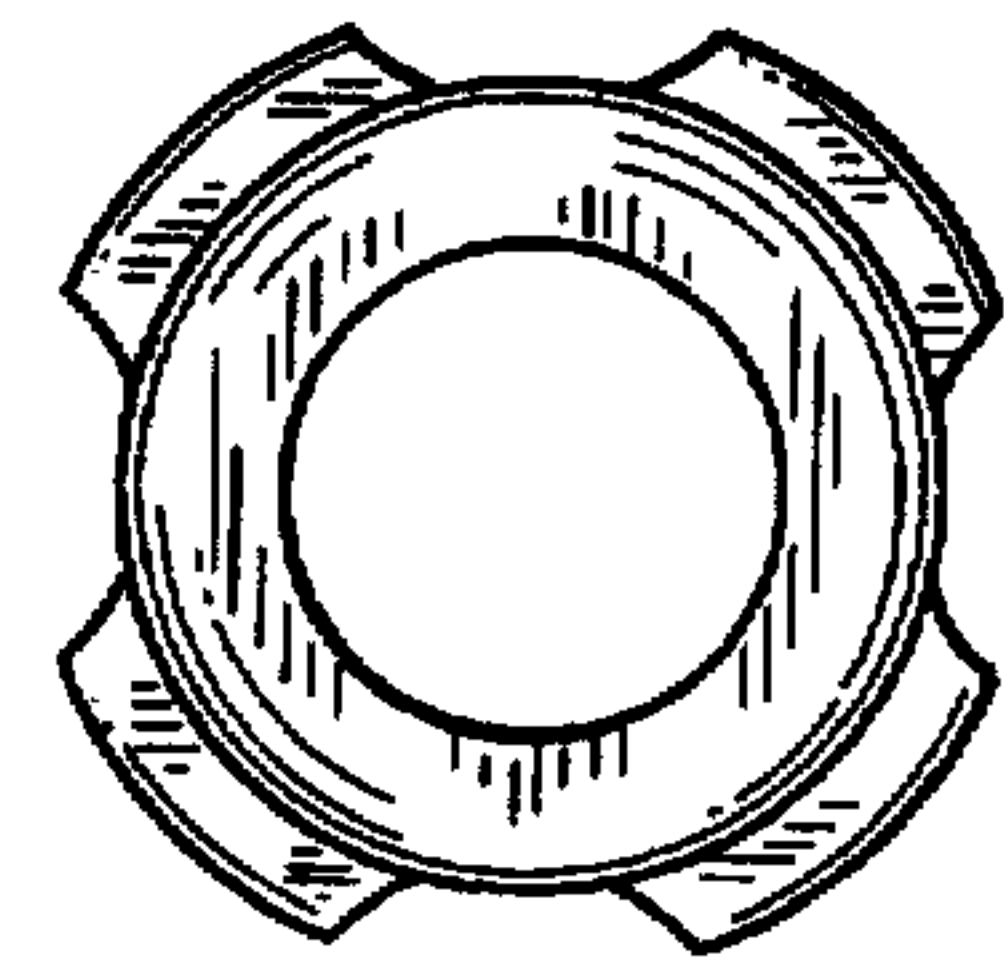


FIG. 3

FIG. 5

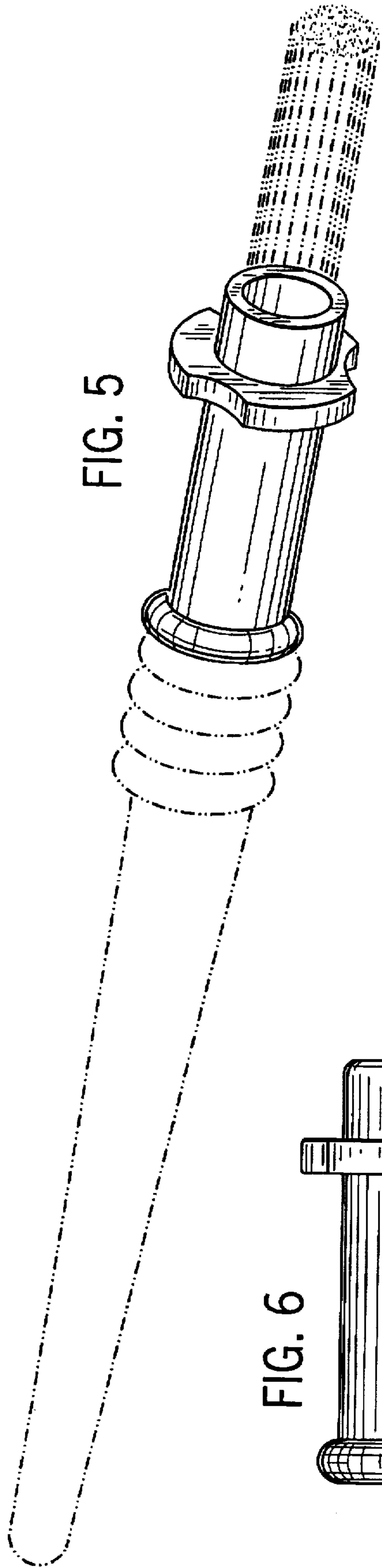


FIG. 8

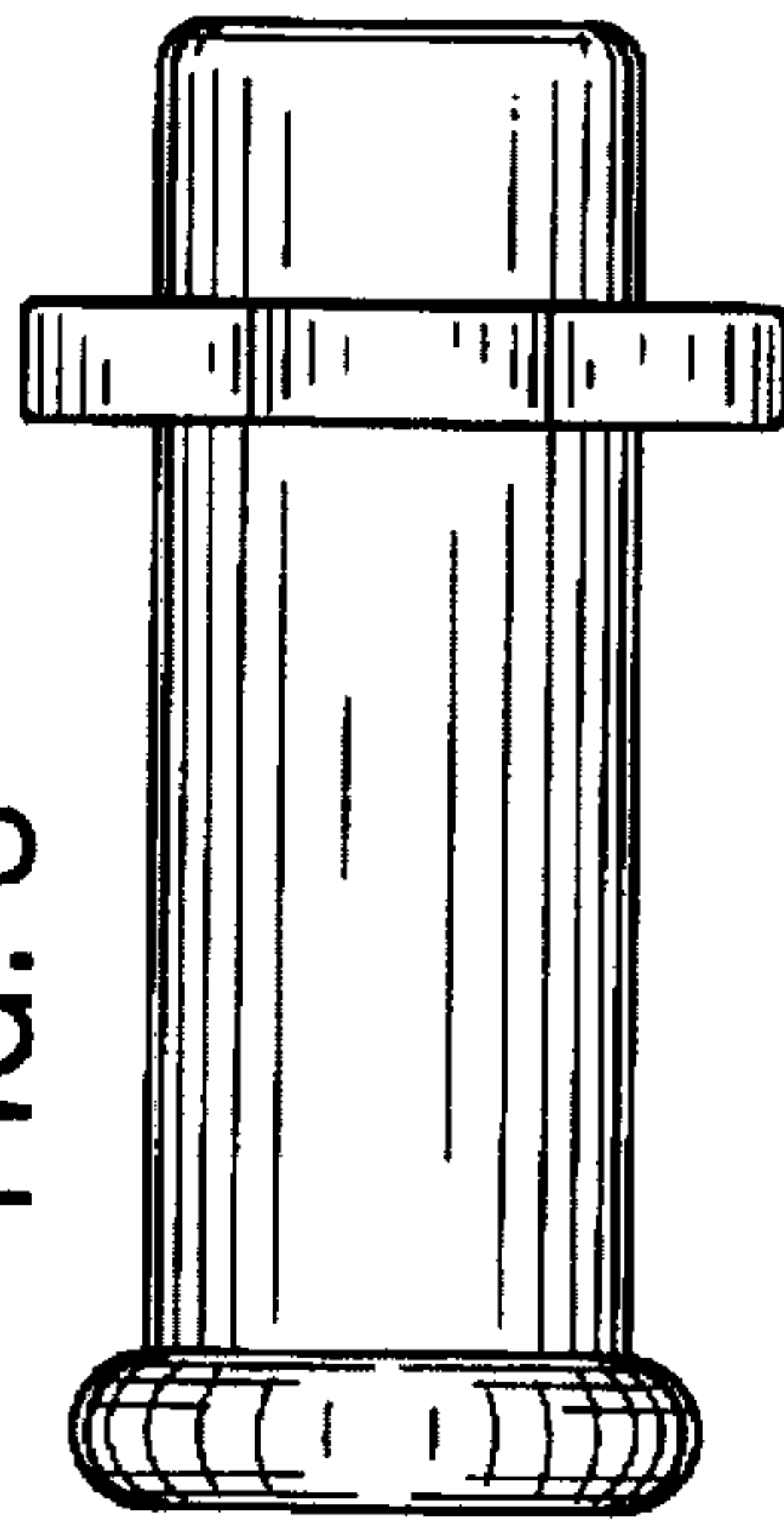


FIG. 6

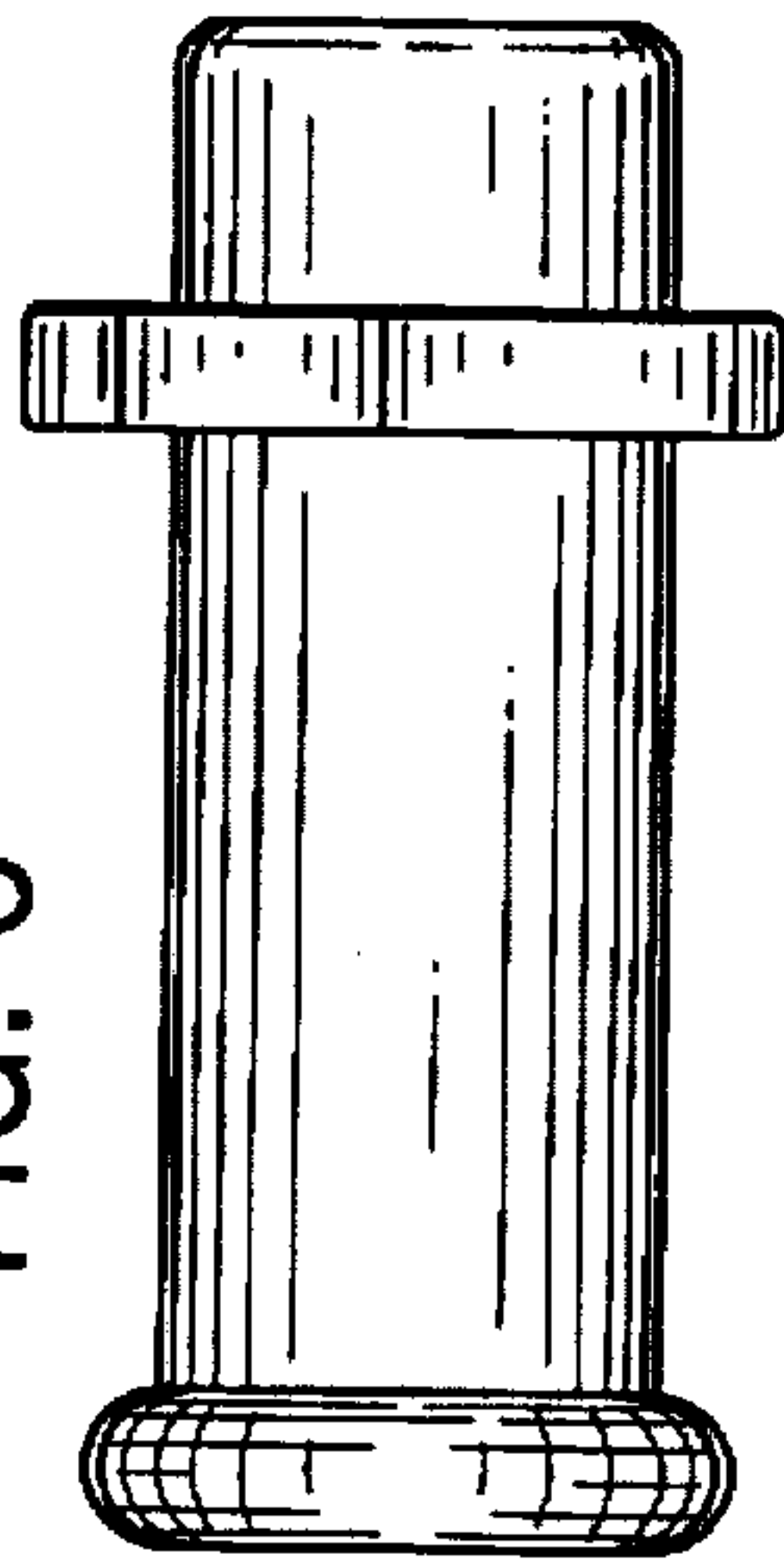


FIG. 7

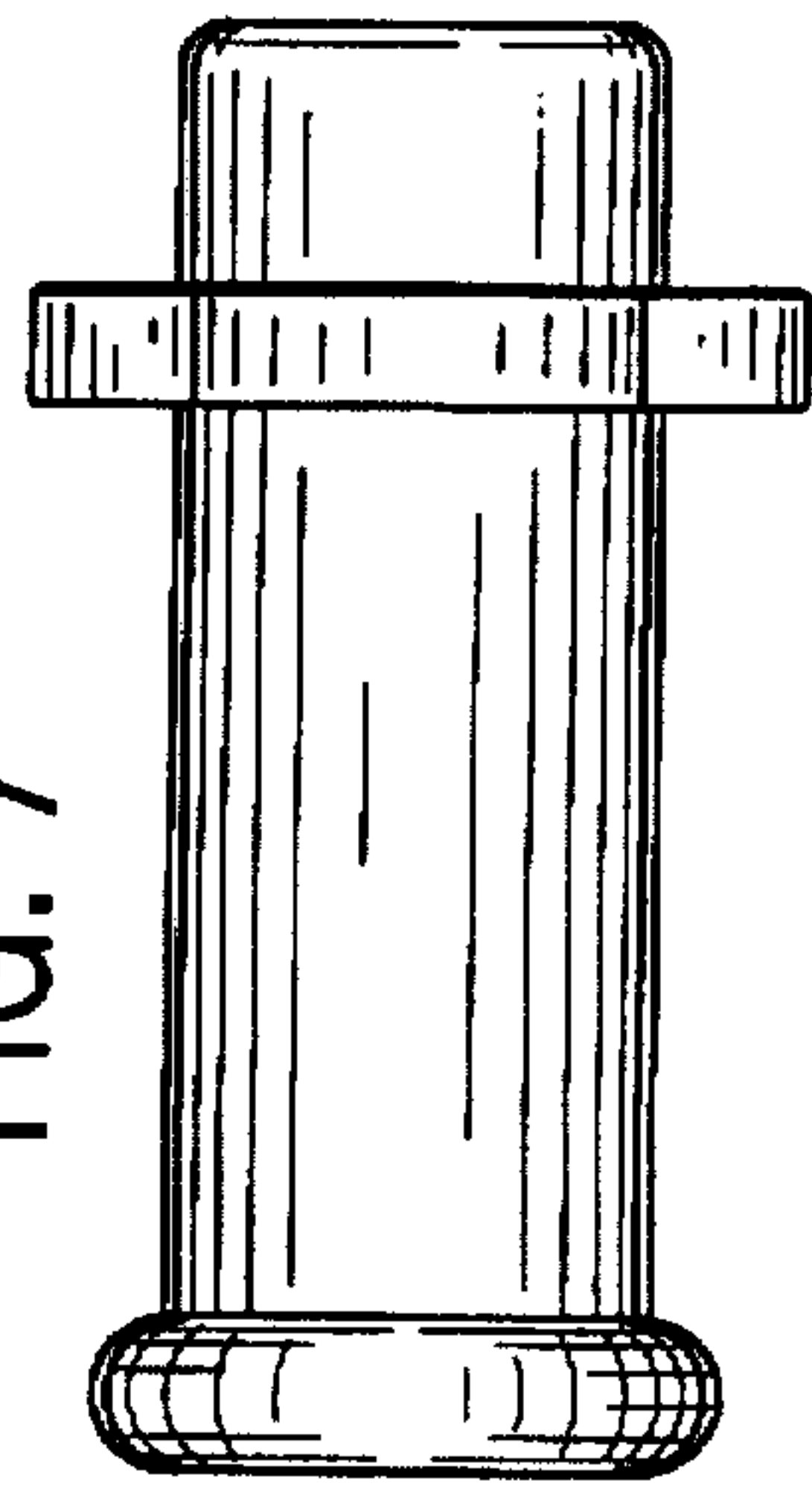


FIG. 9

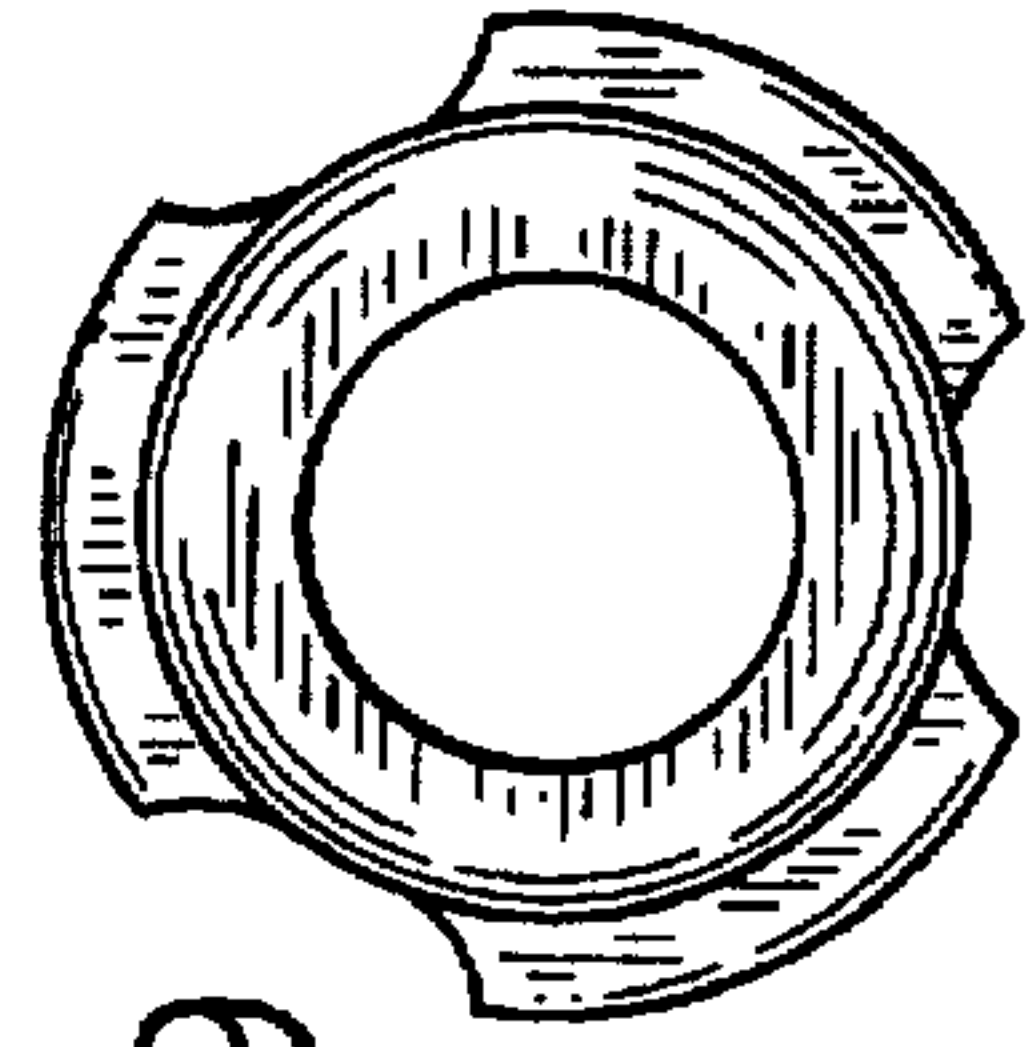
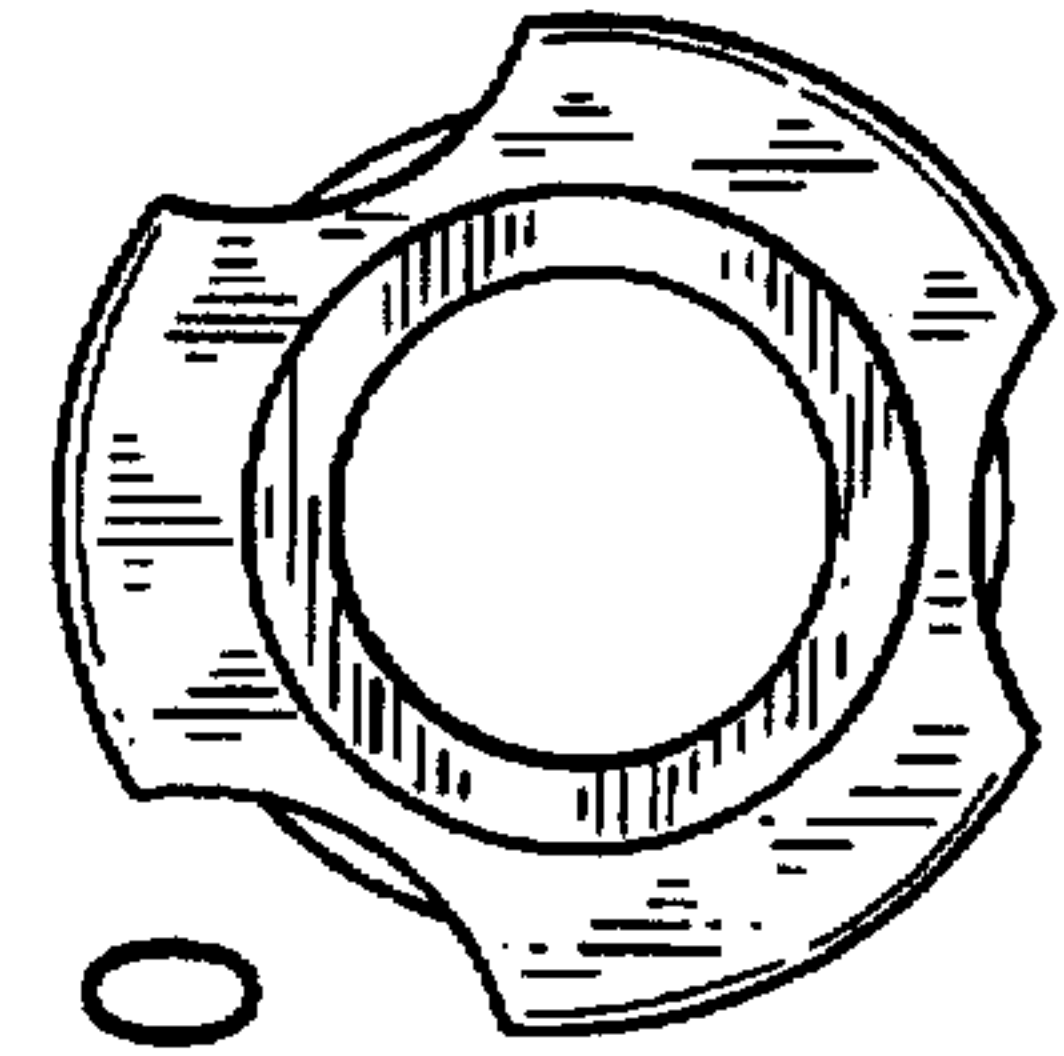


FIG. 10



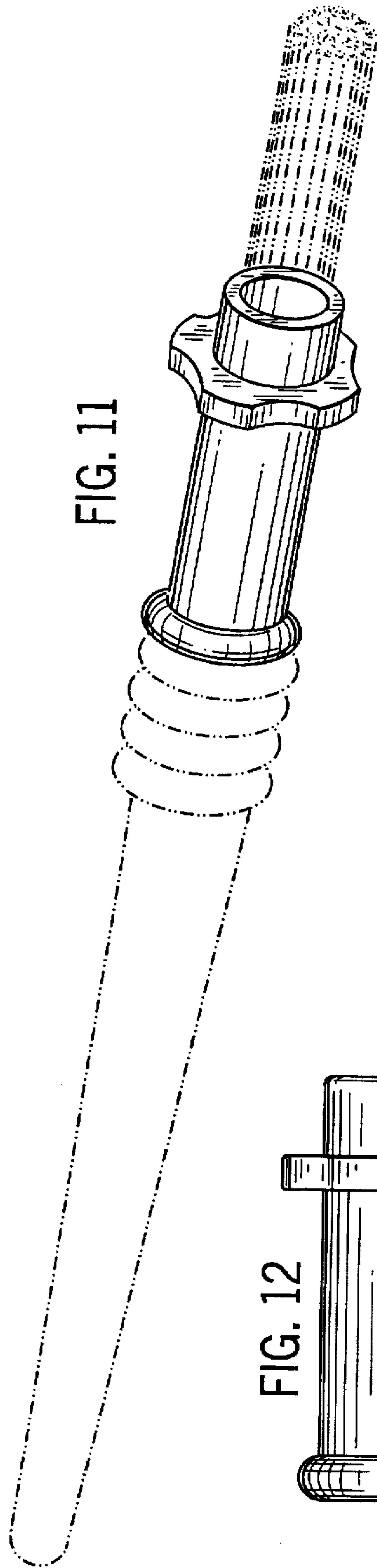


FIG. 11

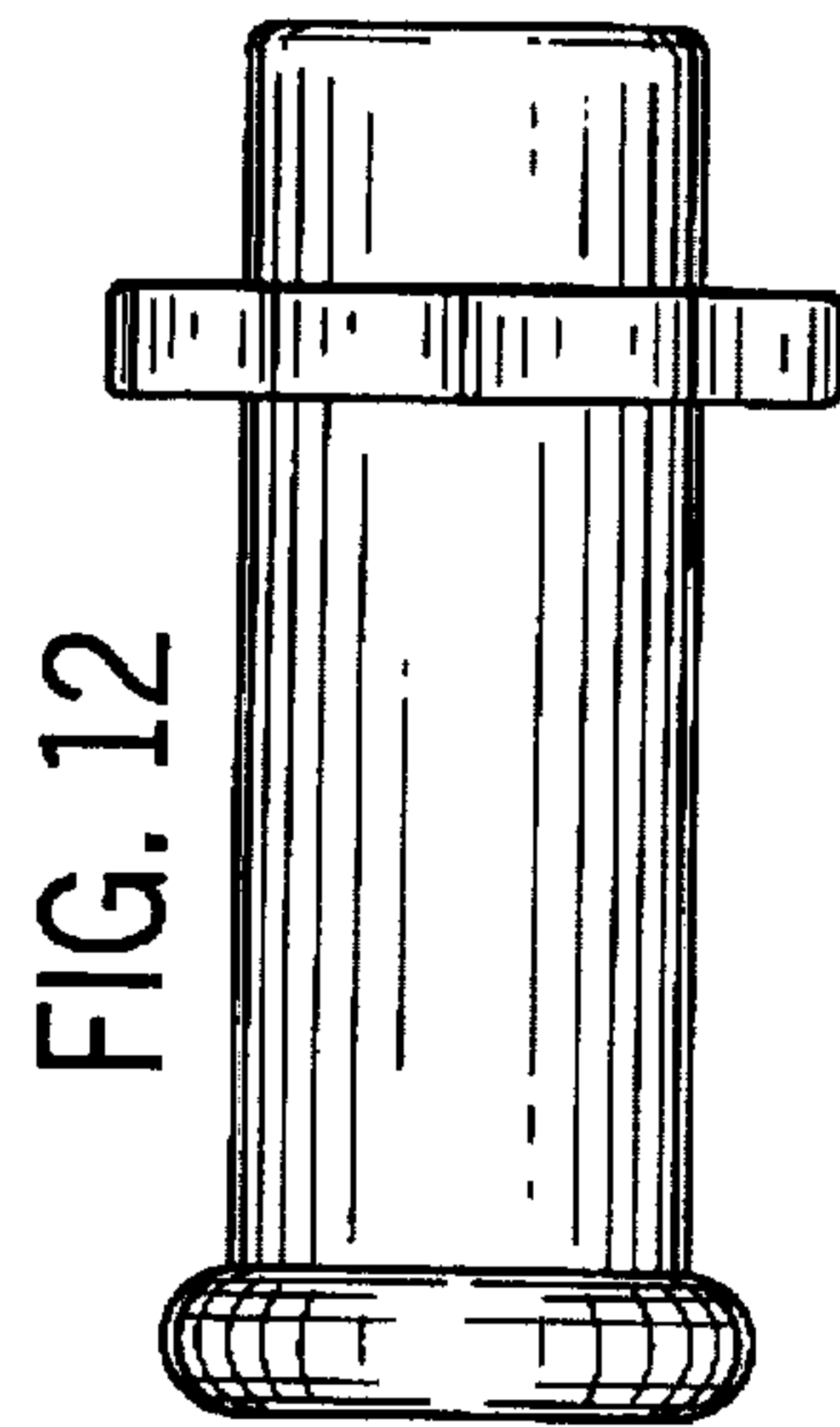


FIG. 12

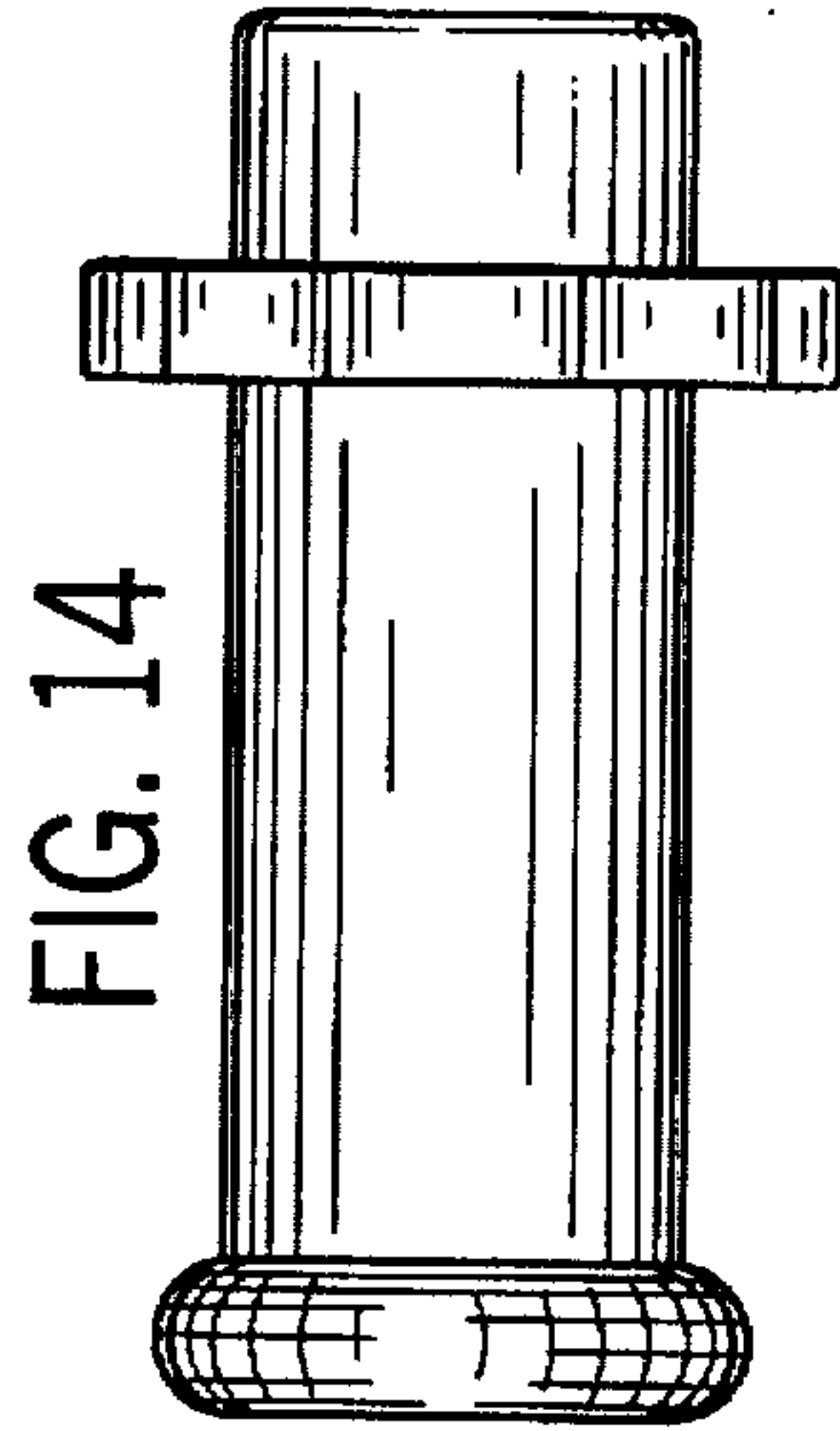


FIG. 14

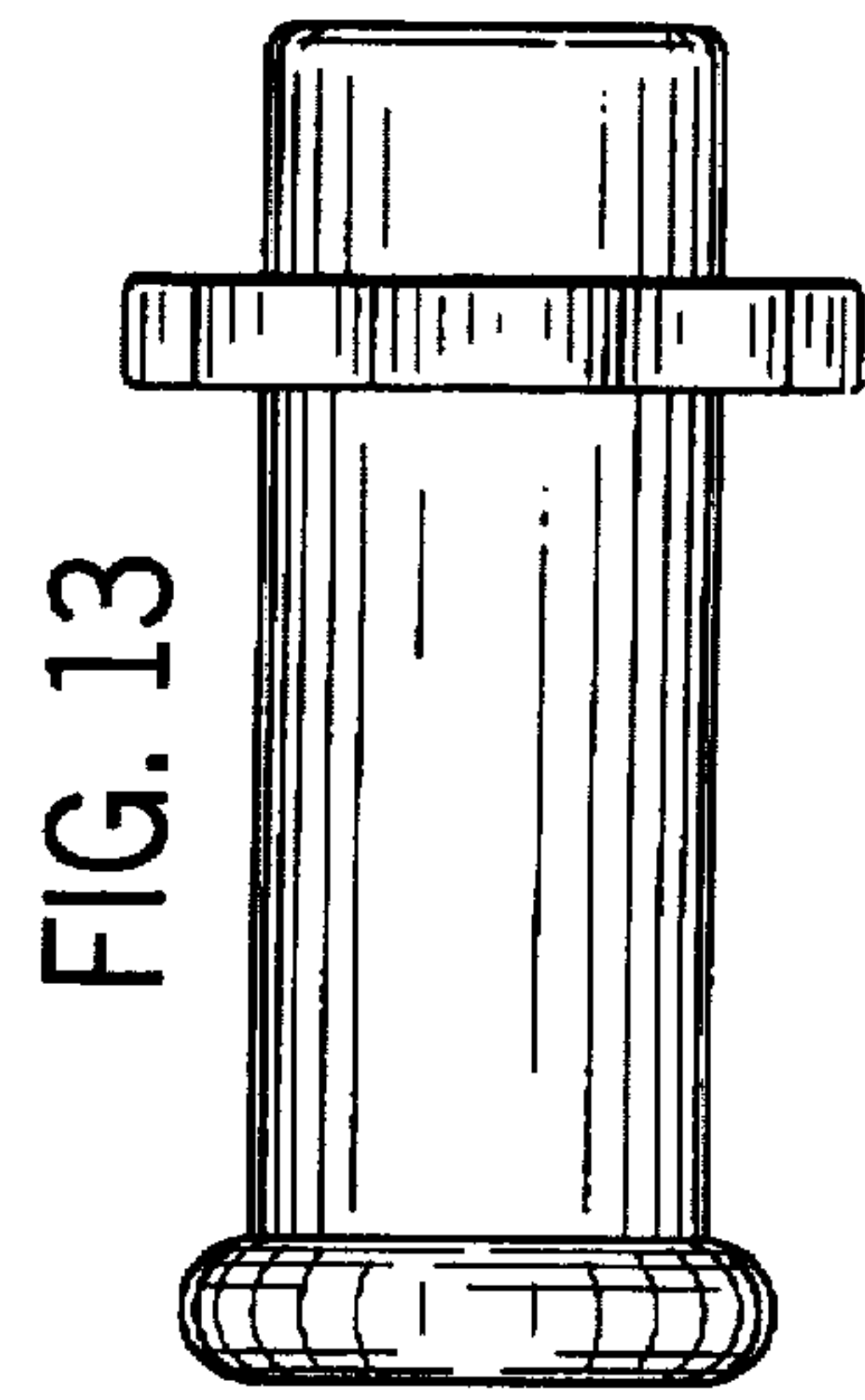


FIG. 13

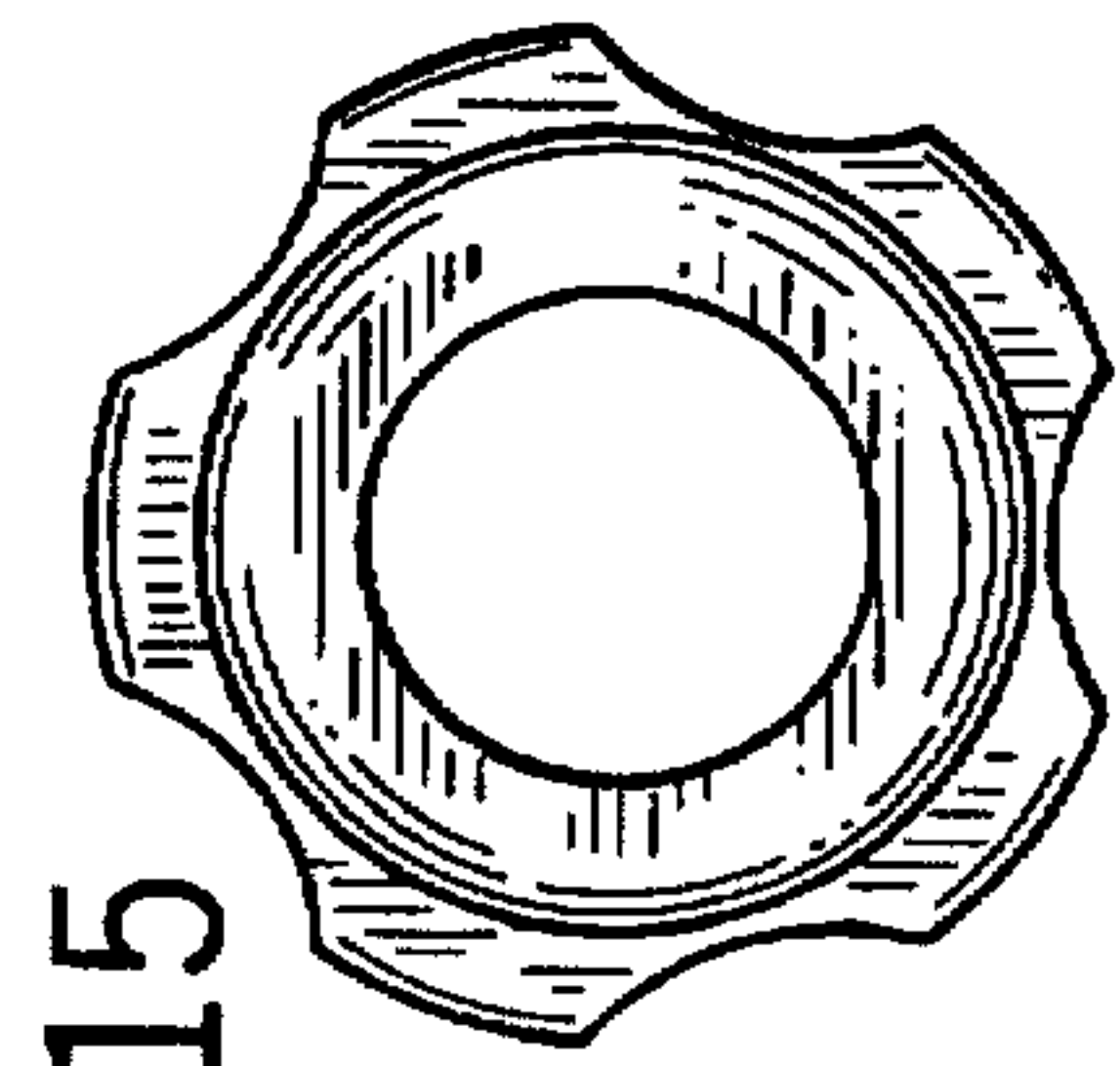


FIG. 15

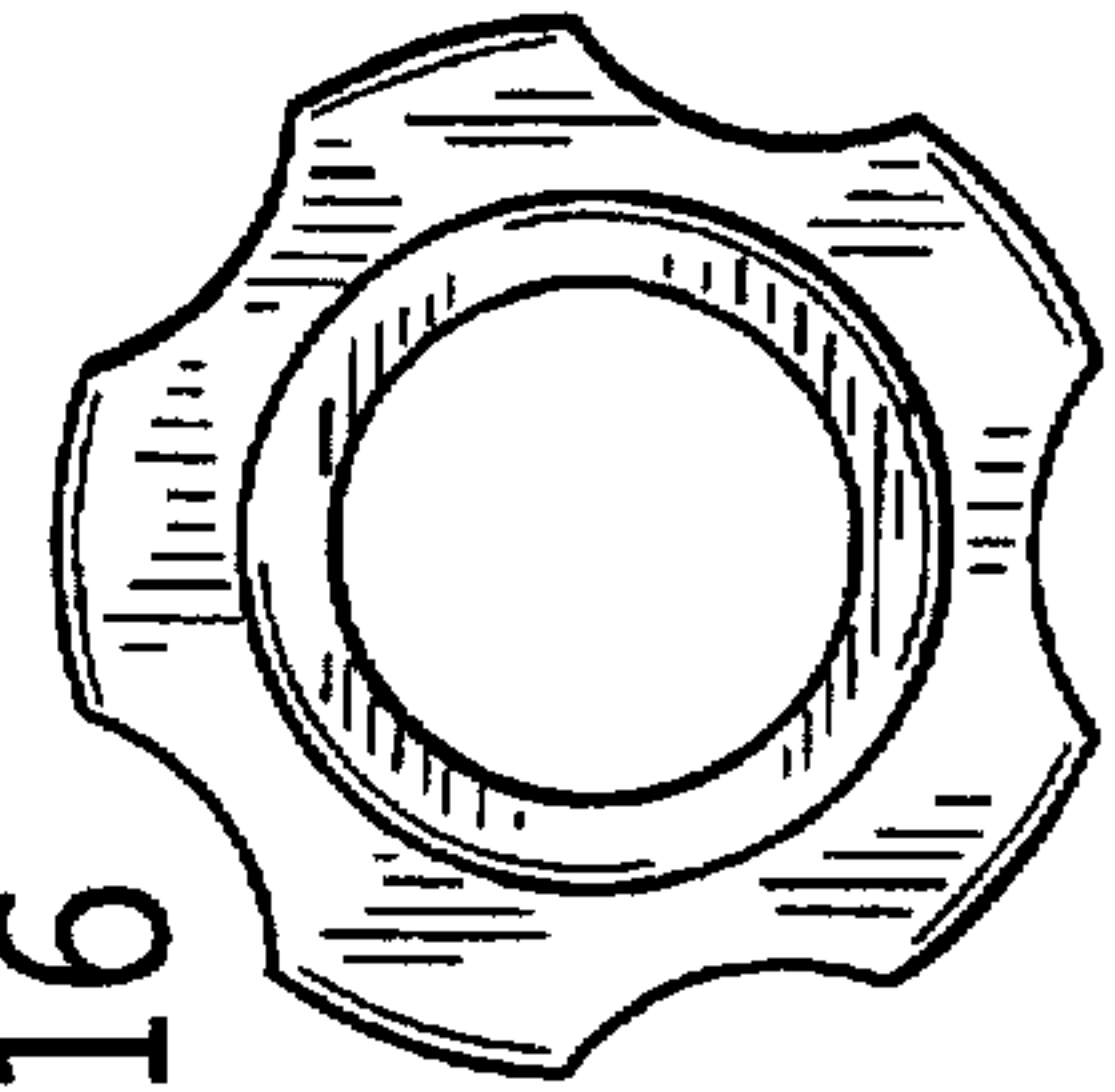


FIG. 16