



US00D384815S

United States Patent [19] Rehrig

[11] Patent Number: Des. 384,815
[45] Date of Patent: **Oct. 14, 1997

[54] UPPER RIM FOR SHOPPING BASKET

FOREIGN PATENT DOCUMENTS

[76] Inventor: **Houston Rehrig**, 4606 Foxhall Crescent, Washington, D.C. 20007

0 941 568	8/1997	France .
M94 022251.8	10/1994	Germany .
37-20200	8/1962	Japan .
45-18027	6/1970	Japan .
3 063113	3/1991	Japan .
1 253 405	11/1971	United Kingdom .
1 597 813	9/1981	United Kingdom .
2 037 892	11/1994	United Kingdom .

[**] Term: 14 Years

[21] Appl. No.: 45,206

[22] Filed: Oct. 12, 1995

[51] LOC (6) Cl. 03-99

[52] U.S. Cl. D3/318

[58] Field of Search D3/304-314; D32/37; 206/503, 506, 510, 507, 518; 217/122-125; 220/696, 752, 756; 211/126; D9/424, 425, 432, 431

OTHER PUBLICATIONS

Rubbermaid Cat, Apr. 1991, p. 10.

"The Good basket" brochure, pre-1990 (exact date unknown).

Primary Examiner—Prabhakar G. Deshmukh
Attorney, Agent, or Firm—Banner & Witcoff, Ltd.

[56] References Cited

U.S. PATENT DOCUMENTS

D. 55,023	5/1920	Blood	D3/308
D. 175,943	11/1955	Hauser .		
D. 201,740	7/1965	Rawson, Jr.	D3/321
D. 215,413	9/1969	Donovan .		
D. 290,179	6/1987	Peltola .		
D. 326,550	5/1992	Waterman	D3/304
D. 326,552	5/1992	Goodell .		
D. 330,513	10/1992	Gilchrist	D3/309 X
D. 348,343	6/1994	Lang-Ree et al.	D3/321
D. 364,961	12/1995	Rehrig	D3/307
2,556,590	3/1951	Long .		
3,027,045	3/1962	Wilson .		
3,286,877	11/1966	Haimes .		
3,307,729	3/1967	Schwartz .		
3,398,840	8/1968	Wilson .		
3,434,625	3/1969	Embry, Jr. .		
3,448,888	6/1969	Smith et al. .		
4,308,954	1/1982	Wilson .		
4,320,837	3/1982	Caroll et al.	206/505
4,334,616	6/1982	Wilson	206/505
4,478,344	10/1984	Rehrig	206/507 X
4,478,744	10/1984	Rehrig .		
4,770,300	9/1988	Klein	206/506

[57] CLAIM

The ornamental design for an upper rim for shopping basket, as shown and described.

DESCRIPTION

FIG. 1 is a side elevational view, the other side elevational view being a mirror image thereof, of an upper rim for shopping basket showing my new design;

FIG. 2 is a front end elevational view thereof, the rear elevational view thereof being a mirror image;

FIG. 3 is a top plan view thereof;

FIG. 4 is a cross-sectional view taken on line 4—4 of FIG. 3; and,

FIG. 5 is a cross-sectional view taken on line 5—5 of FIG. 3.

The broken line representation of environmental structure is for illustrative purposes only and forms no part of the claimed design.

1 Claim, 3 Drawing Sheets

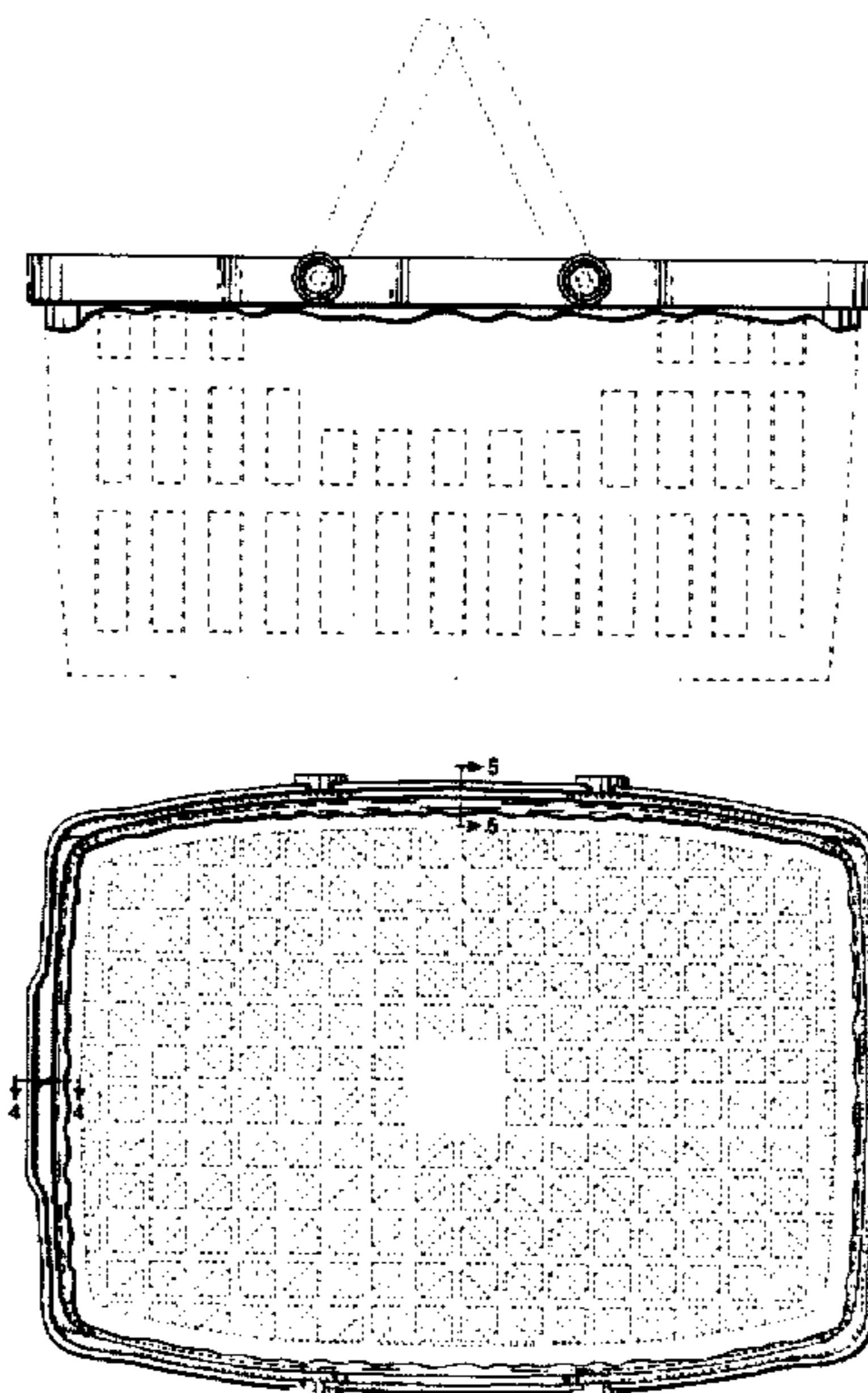


FIG. 1

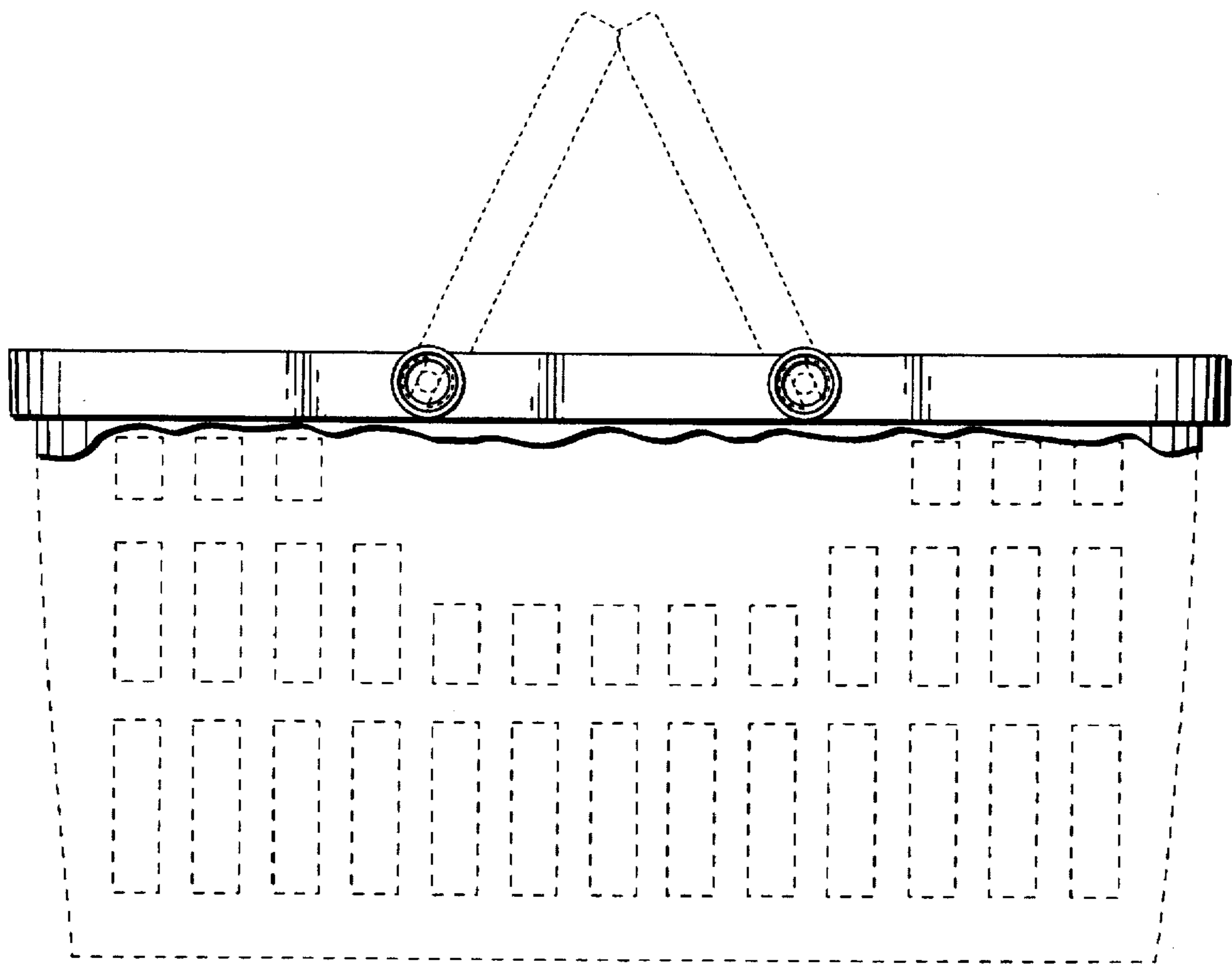


FIG. 2

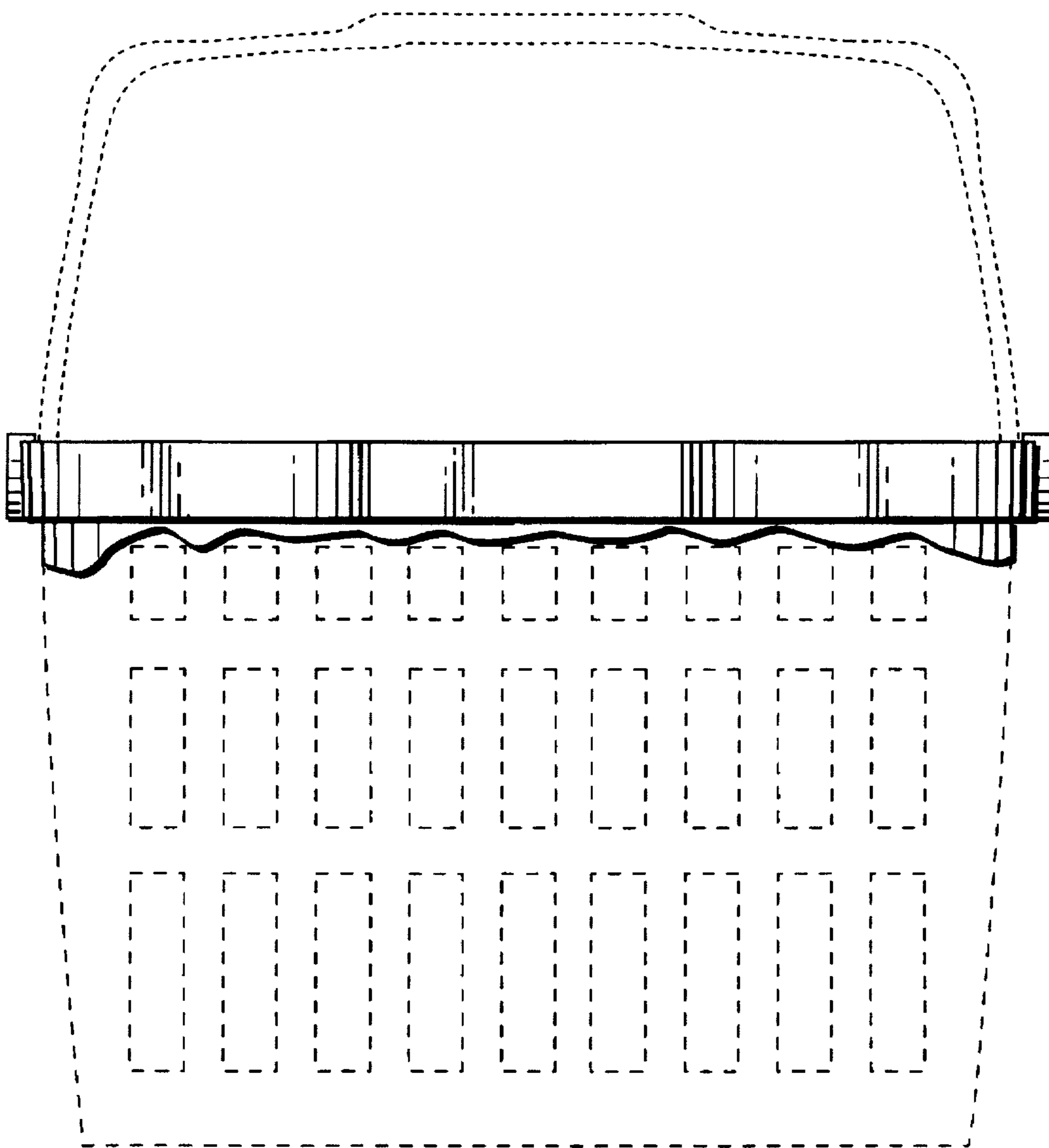


FIG. 3

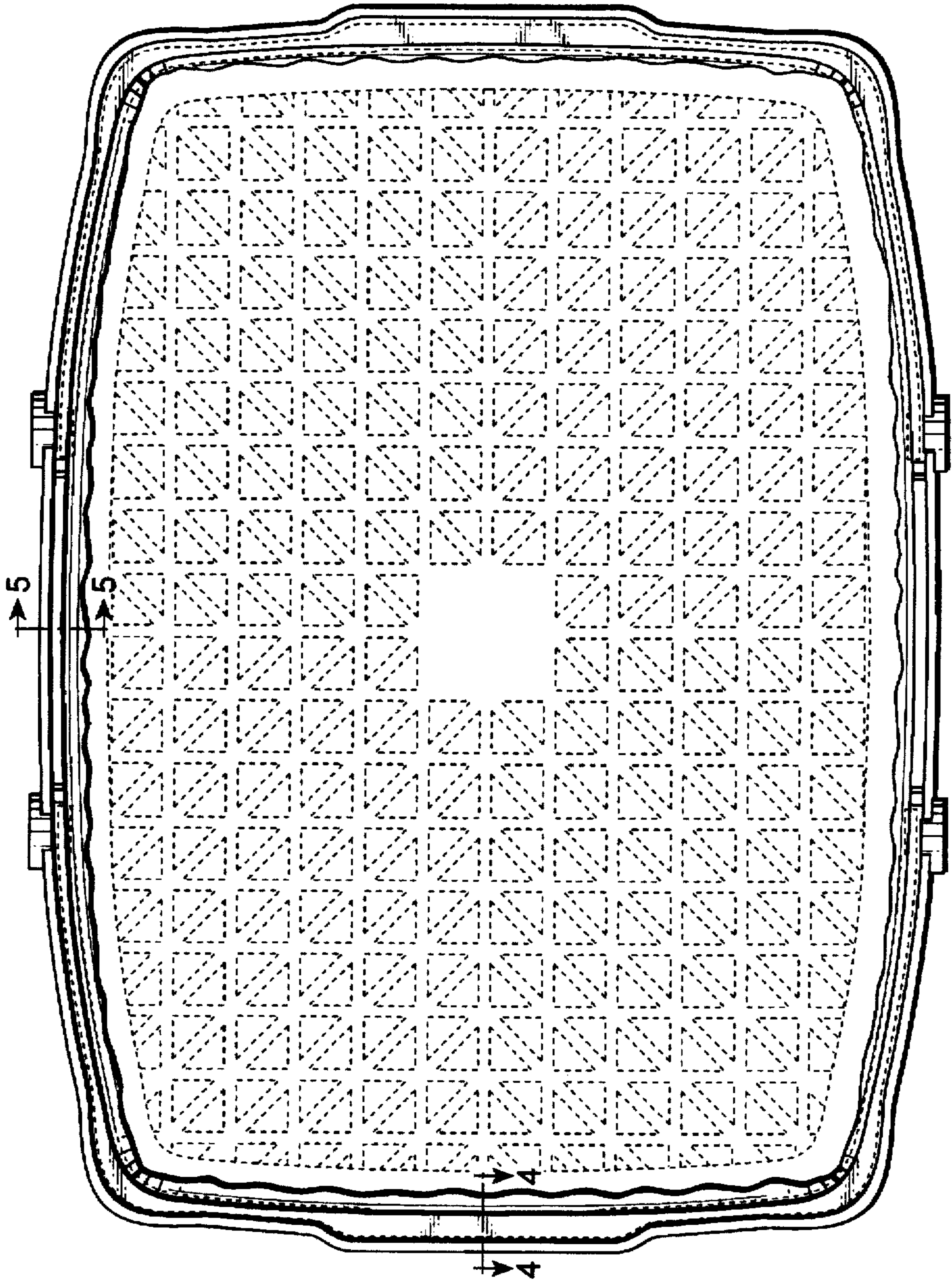


FIG. 4



FIG. 5

