

US00D384810S

# United States Patent [19] Kopel

[11] Patent Number: **Des. 384,810**

[45] Date of Patent: **\*\*Oct. 14, 1997**

[54] **COMBINED PURSE AND SUNGLASS CASE**

2,479,472 8/1949 Coplon ..... D3/265 X  
4,801,059 1/1989 Hayes ..... 150/117 X

[75] Inventor: **David Kopel**, Agoura Hills, Calif.

[73] Assignee: **Koltov, Inc.**, Westlake Village, Calif.

[\*\*] Term: **14 Years**

*Primary Examiner*—Louis S. Zarfes  
*Assistant Examiner*—Catherine R. Oliver  
*Attorney, Agent, or Firm*—Freilich, Hornbaker & Rosen

[21] Appl. No.: **37,007**

[22] Filed: **Apr. 3, 1995**

### [57] CLAIM

The ornamental design for a combined purse and sunglasses case, as shown and described.

### Related U.S. Application Data

### DESCRIPTION

[63] Continuation-in-part of Ser. No. 11,560, Aug. 6, 1993.

[51] LOC (6) Cl. .... **03-01**

[52] U.S. Cl. .... **D3/226**

[58] Field of Search ..... D3/219, 265, 266,  
D3/226, 224, 225, 230, 232, 215, 233,  
234, 242, 243, 247, 248, 252, 253, 251,  
249; 150/106, 114, 115, 117, 118, 119,  
131, 138, 142, 144; 224/205, 222, 226,  
230, 235, 236, 239, 240, 253

FIG. 1 is a front elevational view of a first embodiment of a combined purse and sunglasses case showing my new design;

FIG. 2 is a rear elevational view thereof;

FIG. 3 is a bottom plan view thereof;

FIG. 4 is a top plan view thereof;

FIG. 5 is a left side elevational view thereof;

FIG. 6 is a right side elevational view thereof;

FIG. 7 is a front elevational view of a second embodiment of a combined purse and sunglasses case showing my new design;

FIG. 8 is a rear elevational view thereof;

FIG. 9 is a bottom plan view thereof;

FIG. 10 is a top plan view thereof;

FIG. 11 is a left side elevational view thereof; and

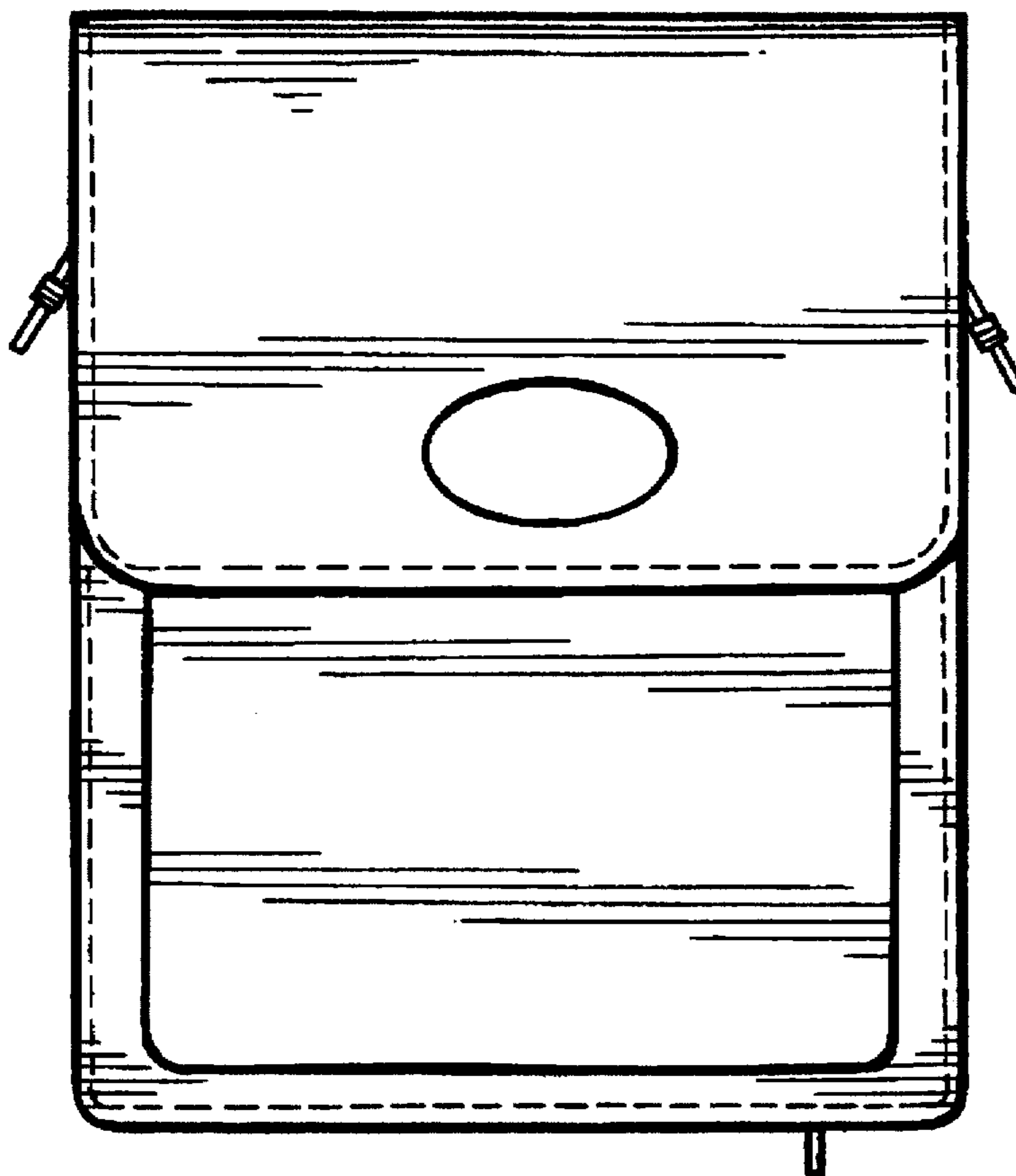
FIG. 12 is a right side elevational view thereof;

### [56] References Cited

#### U.S. PATENT DOCUMENTS

- D. 121,354 7/1940 Wirklich ..... D3/243 X
- D. 265,021 6/1982 Hayman et al. .... D3/247
- D. 343,951 2/1994 Petty et al. .... D3/249
- D. 345,254 3/1994 Bodden ..... D3/252 X

**1 Claim, 6 Drawing Sheets**



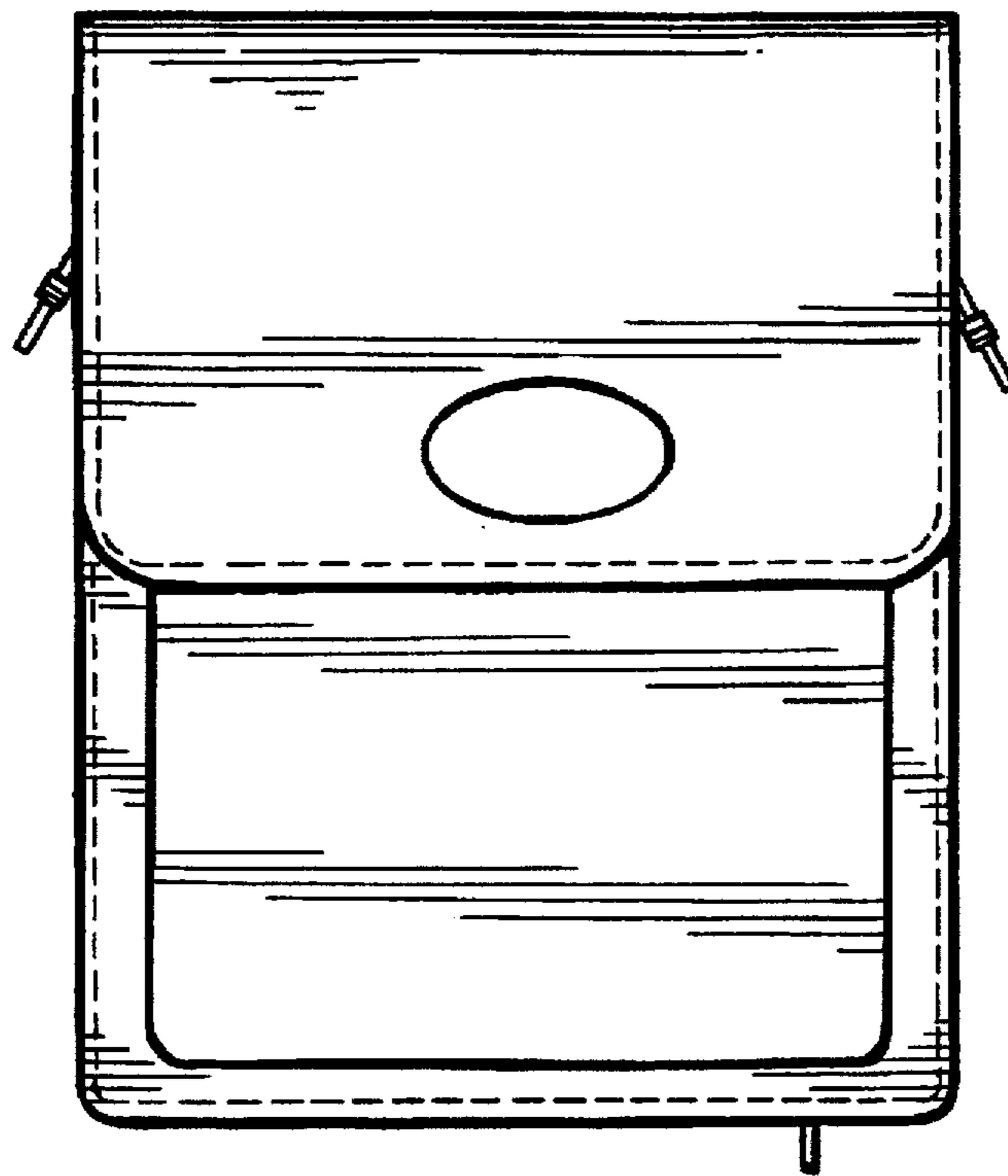


FIG. 1

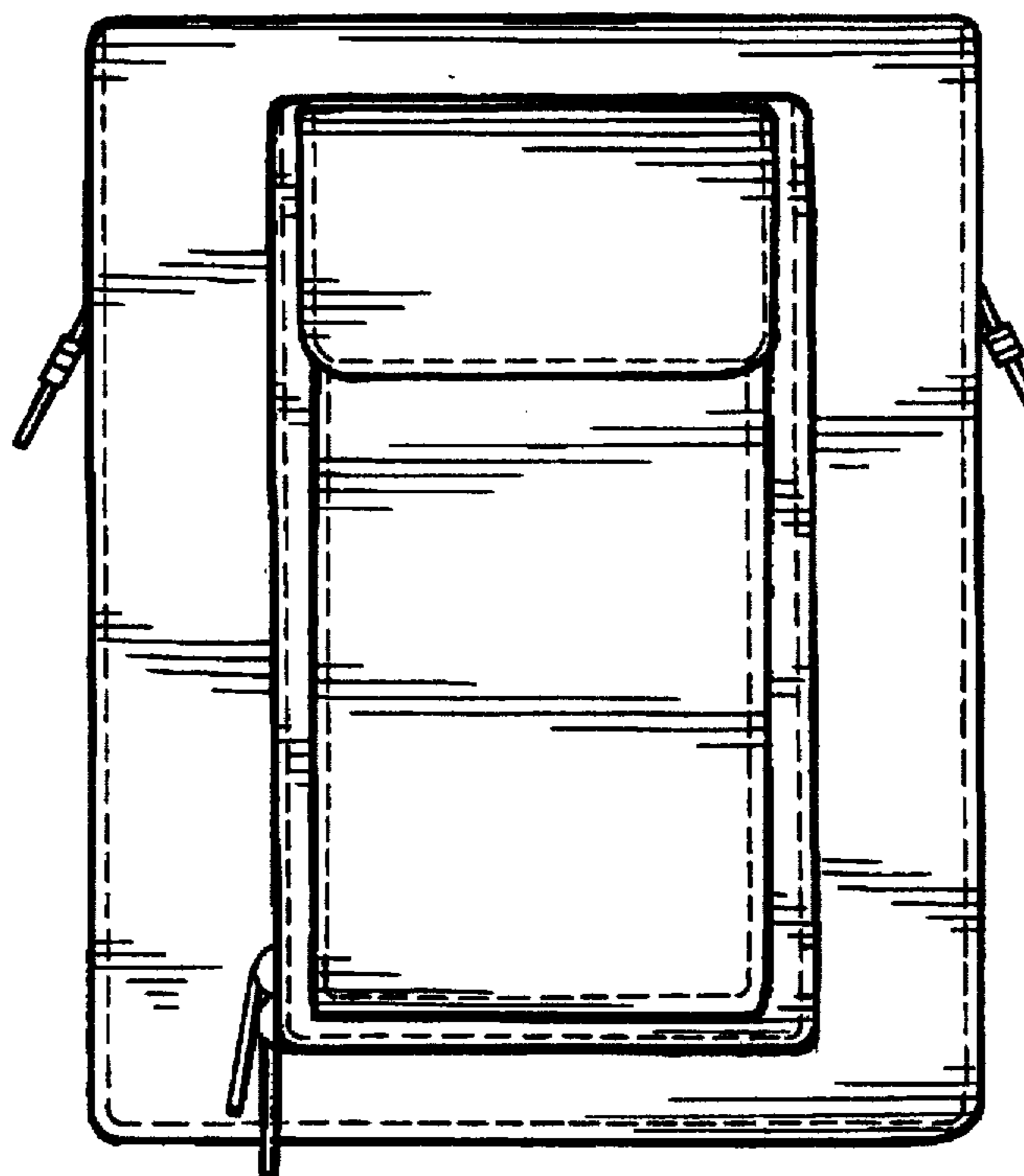
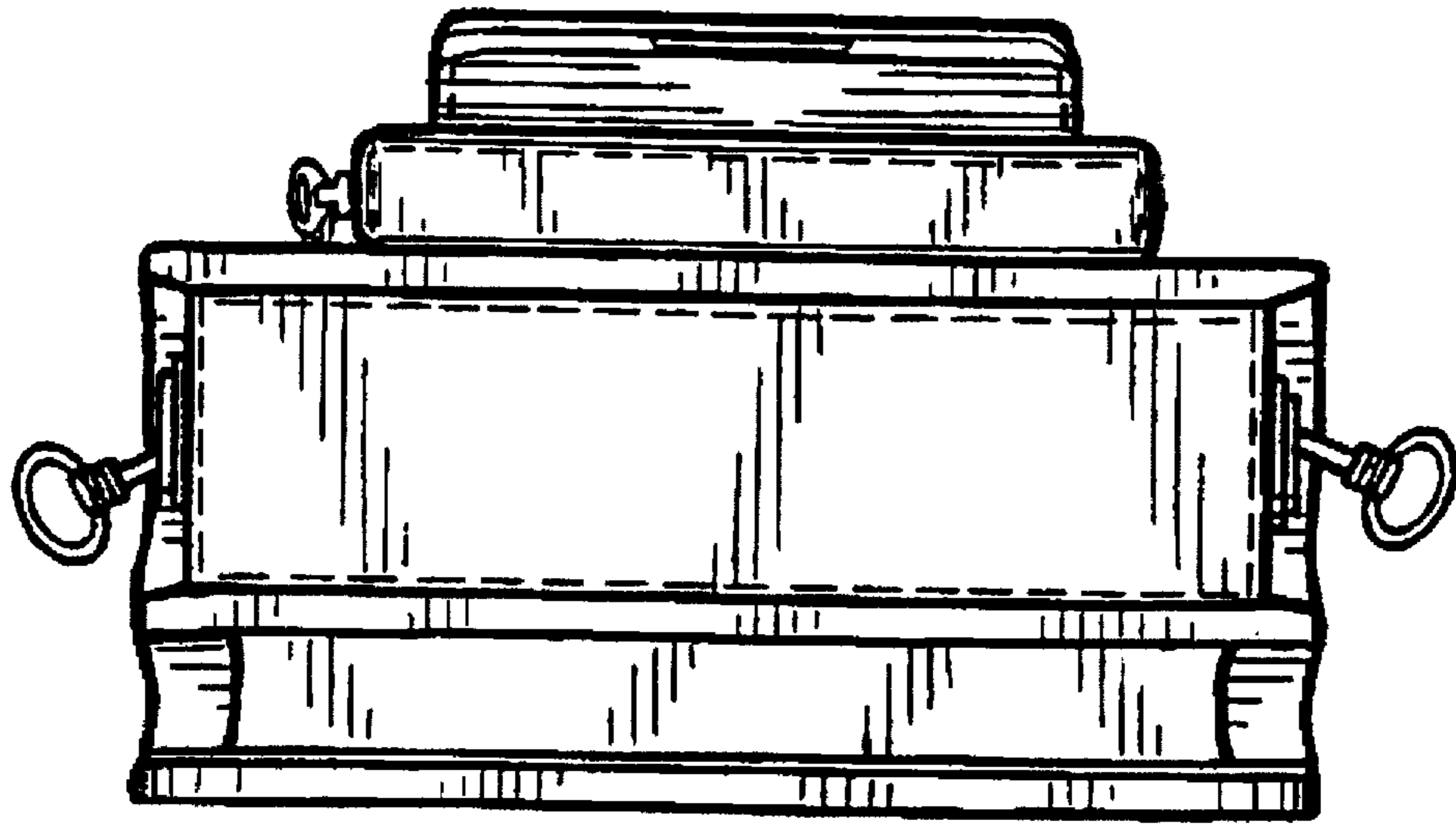
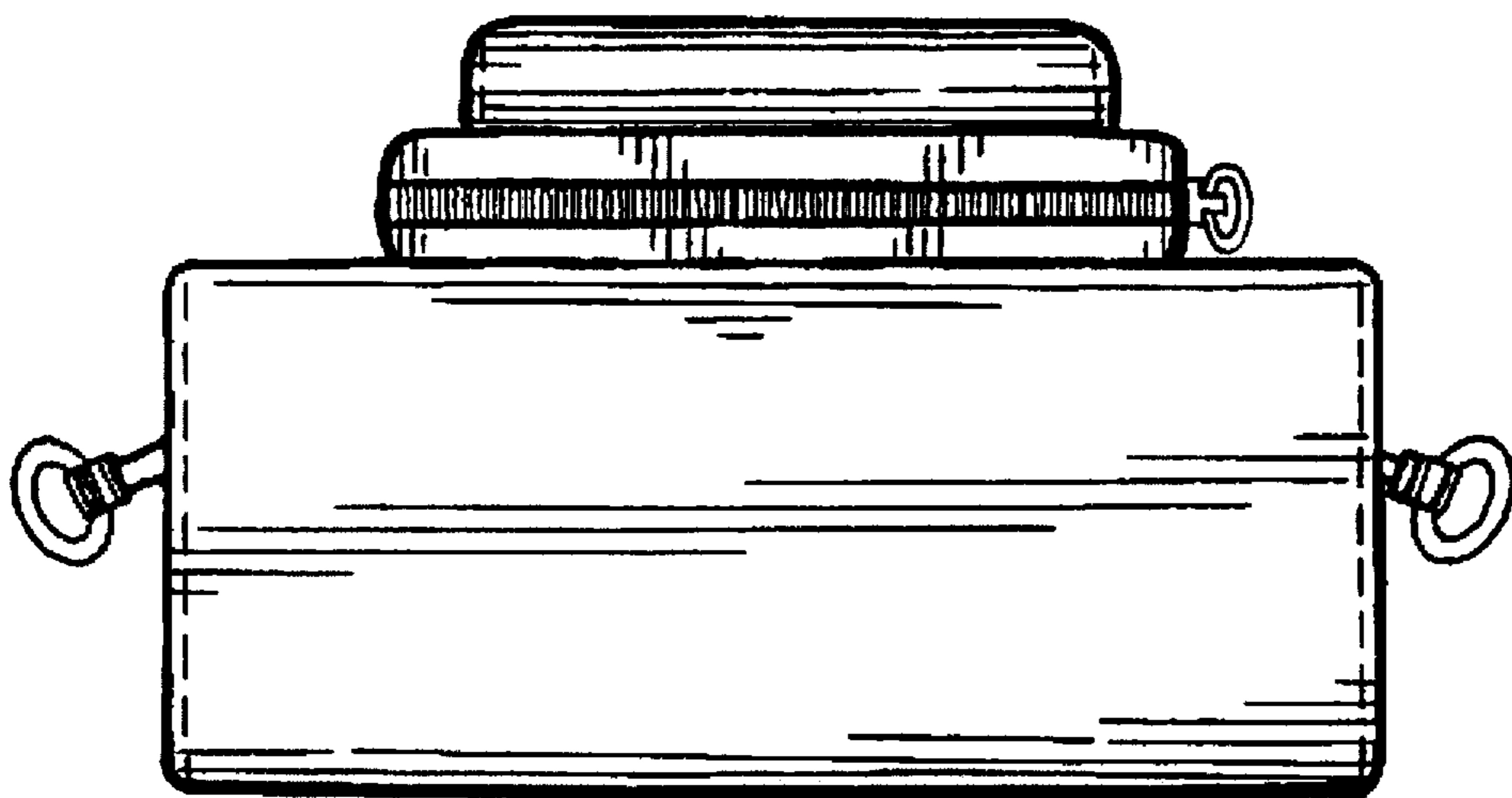


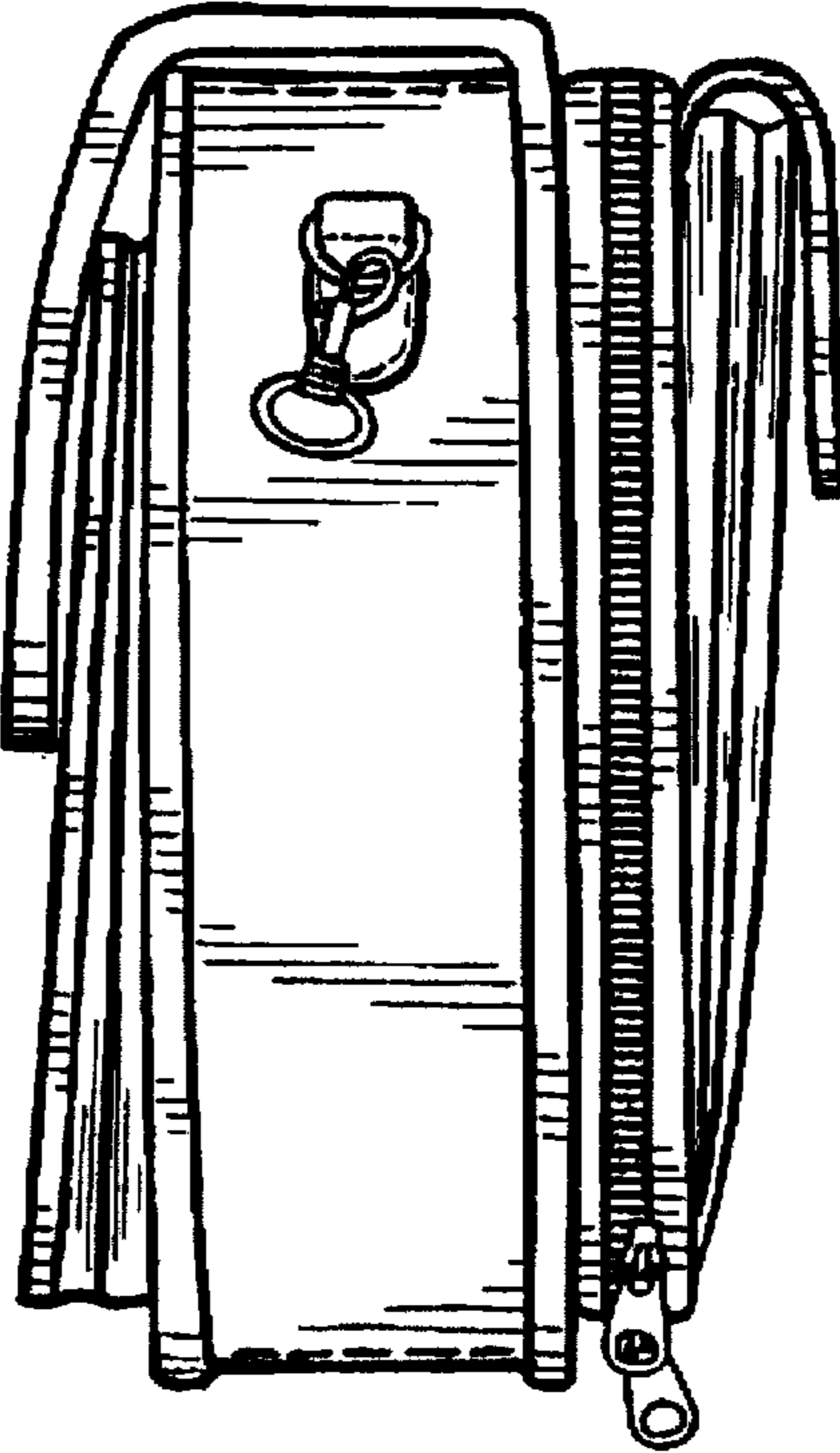
FIG. 2



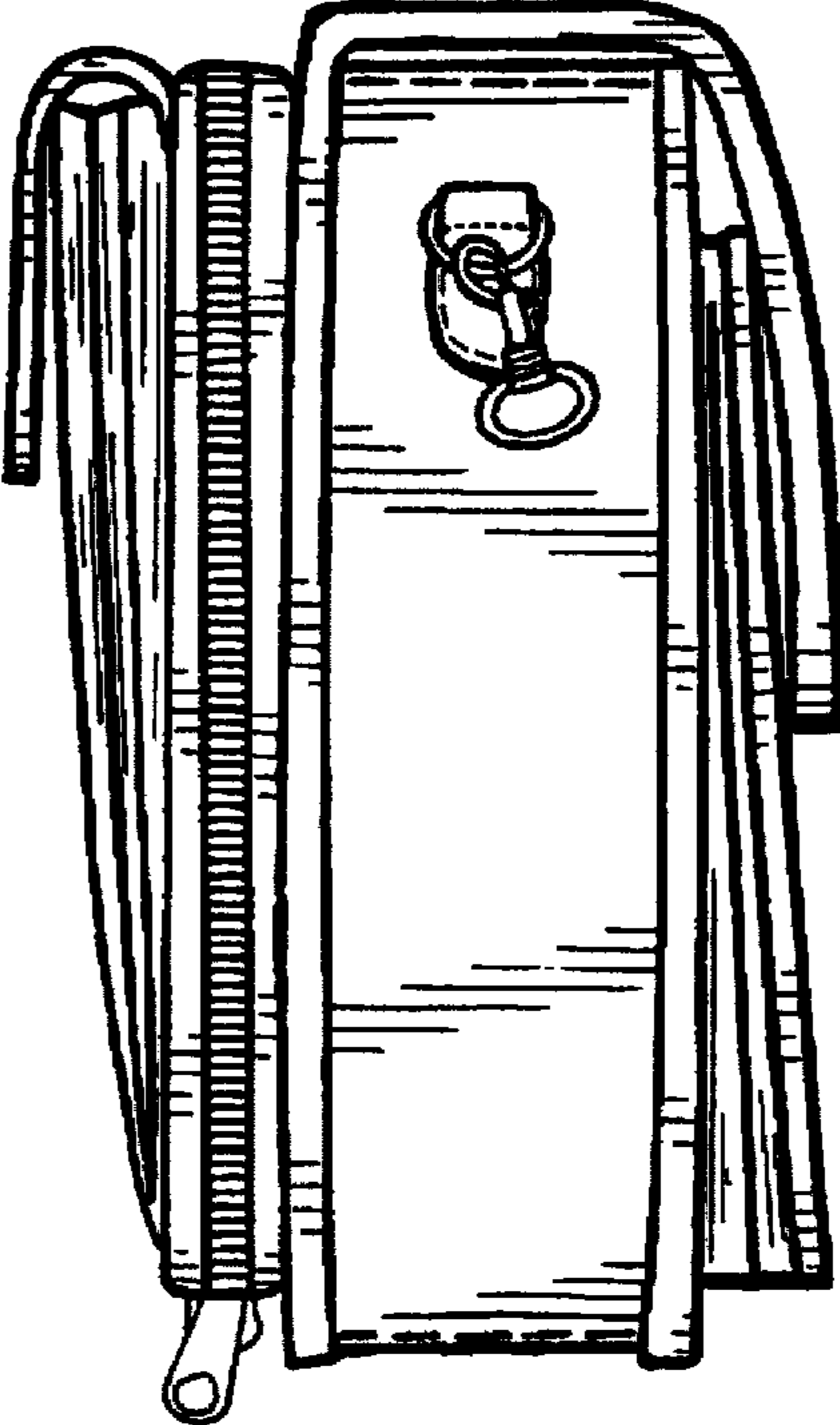
**FIG. 3**



**FIG. 4**



**FIG. 5**



**FIG. 6**

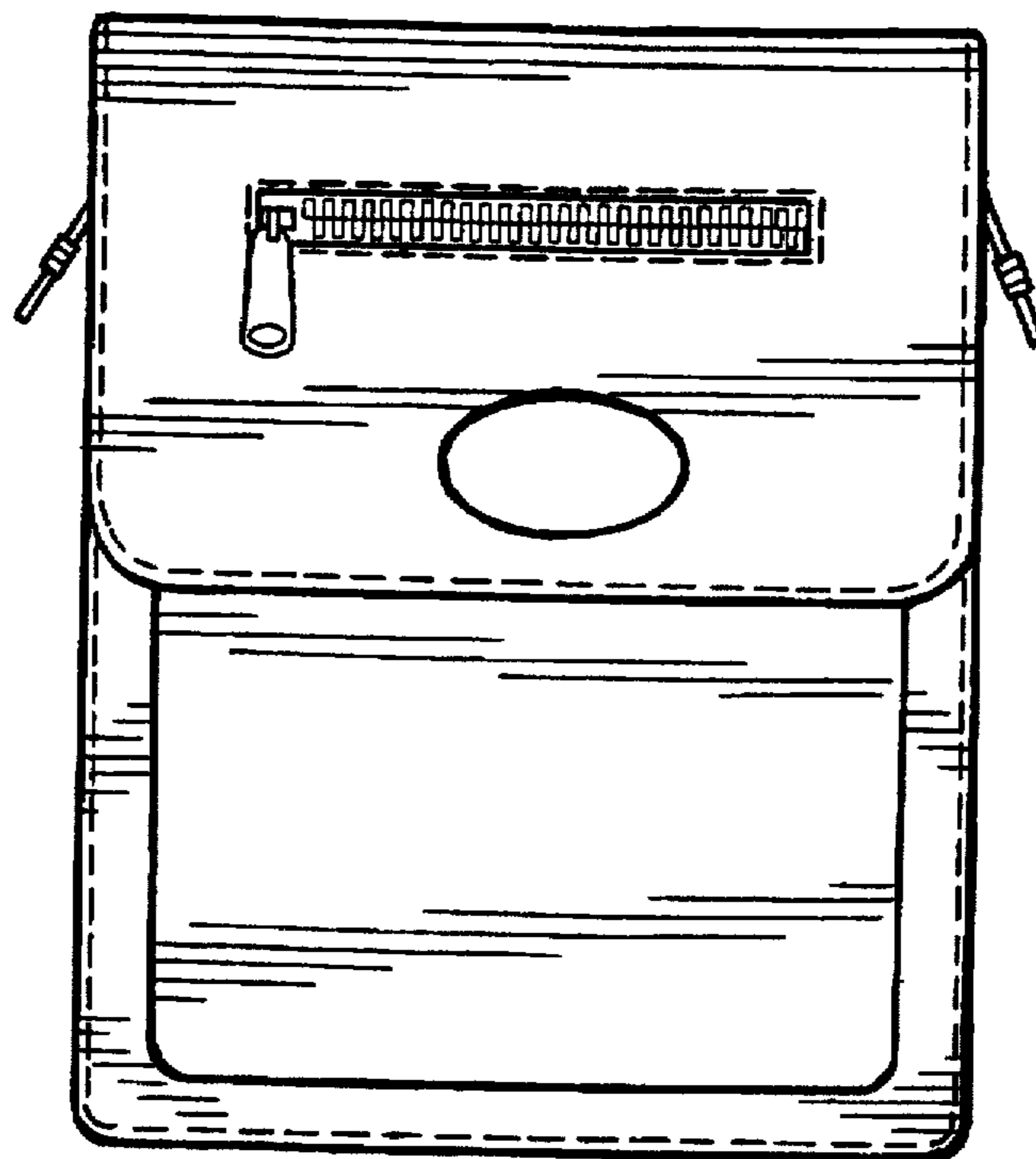


FIG. 7

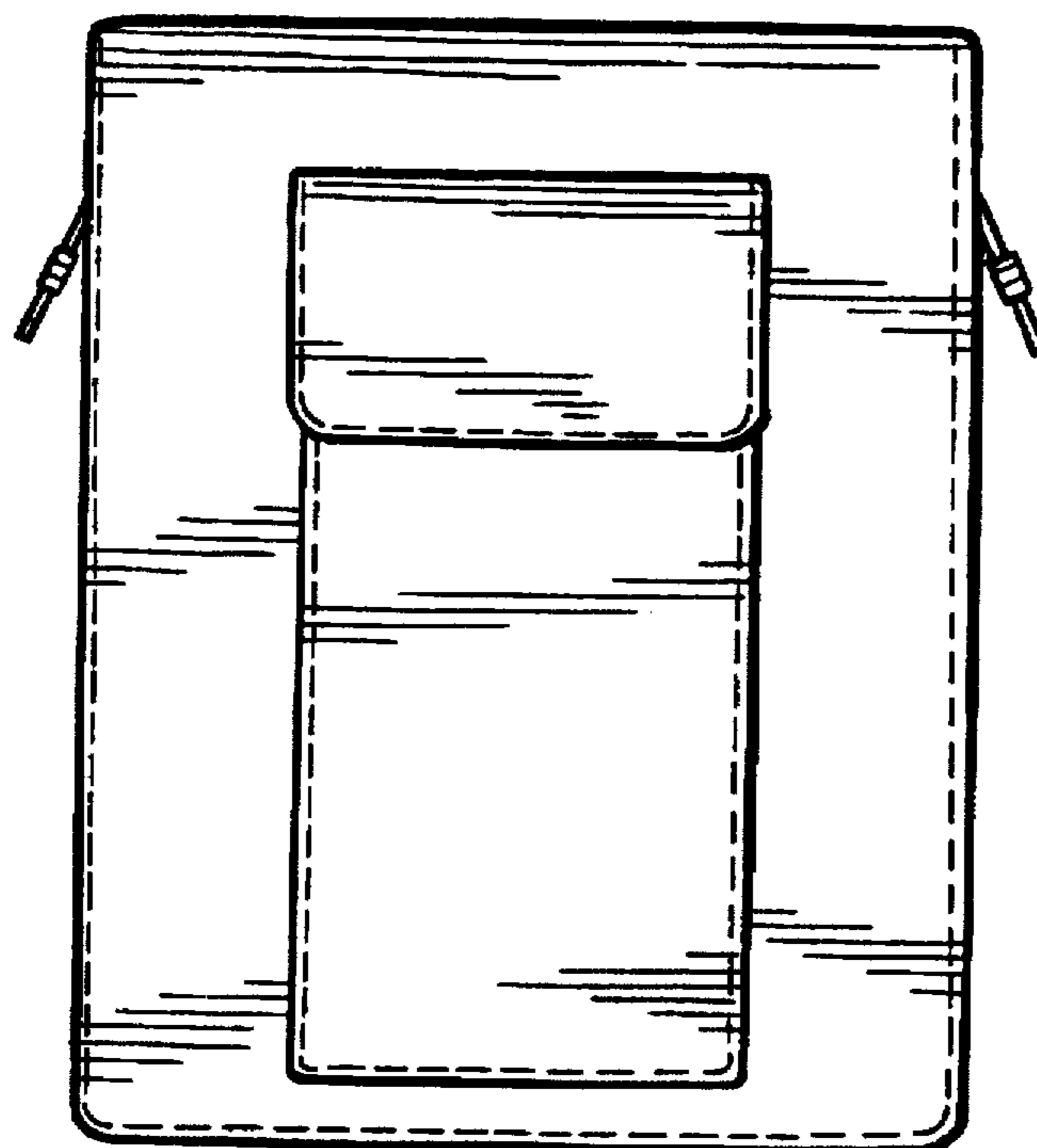


FIG. 8

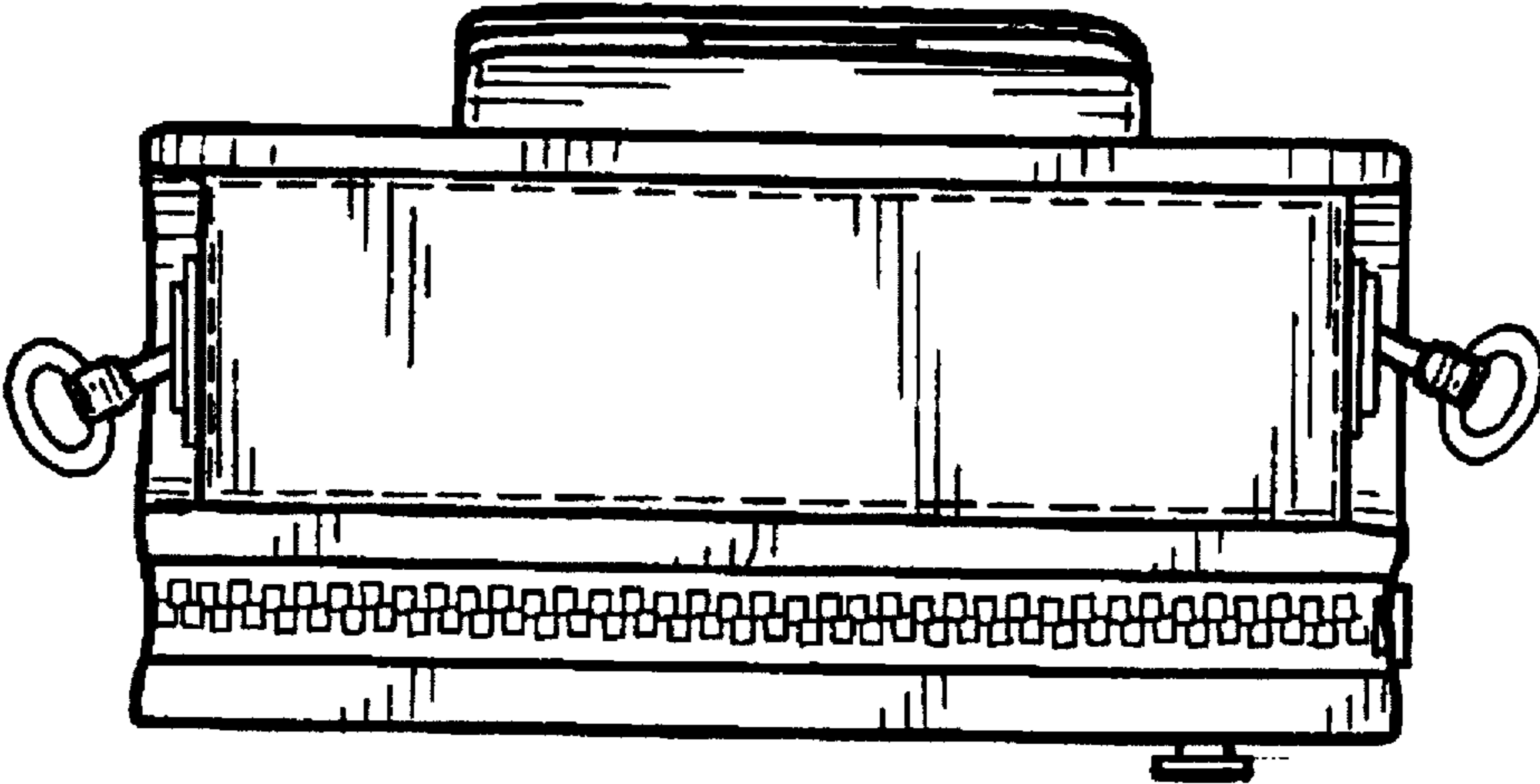


FIG. 9

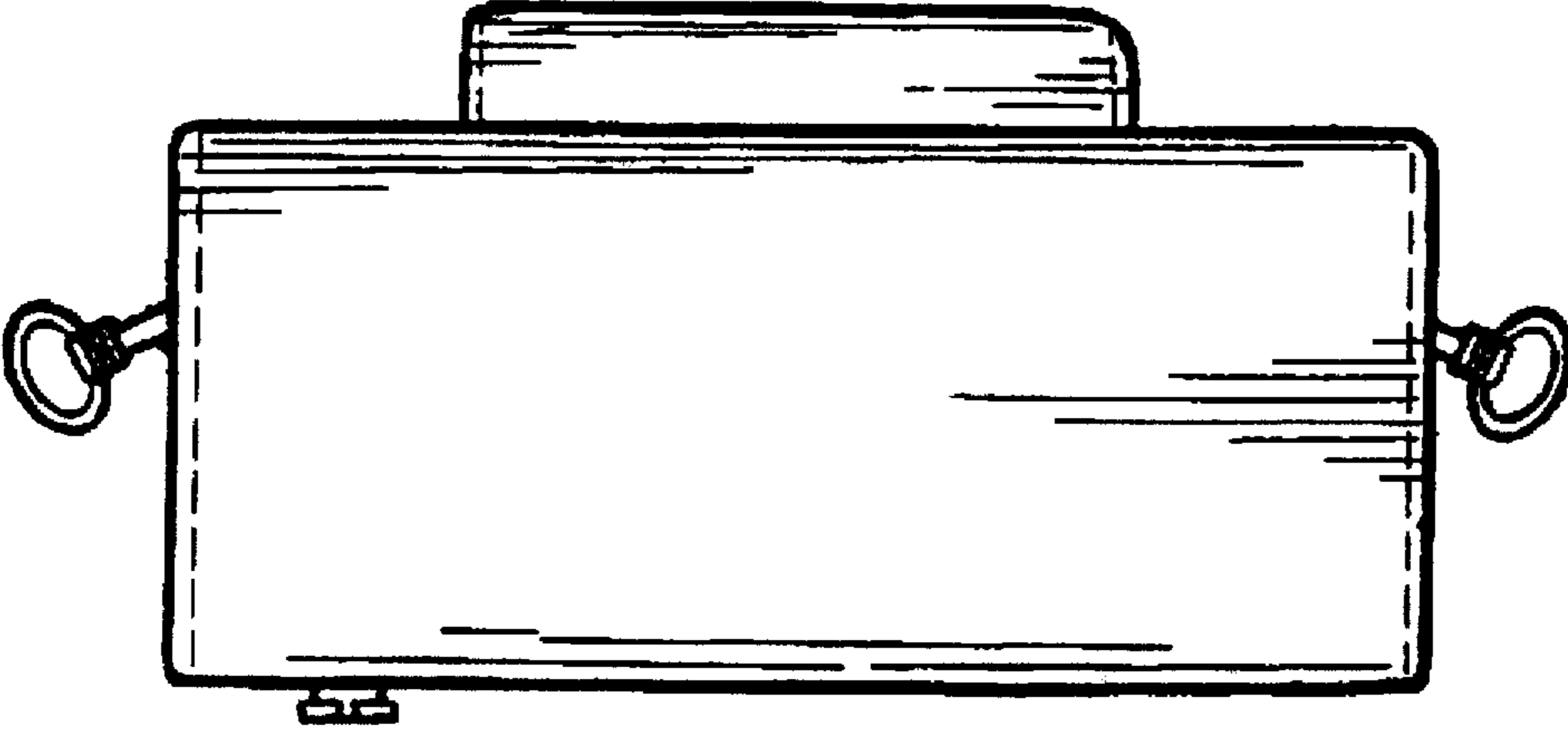


FIG. 10

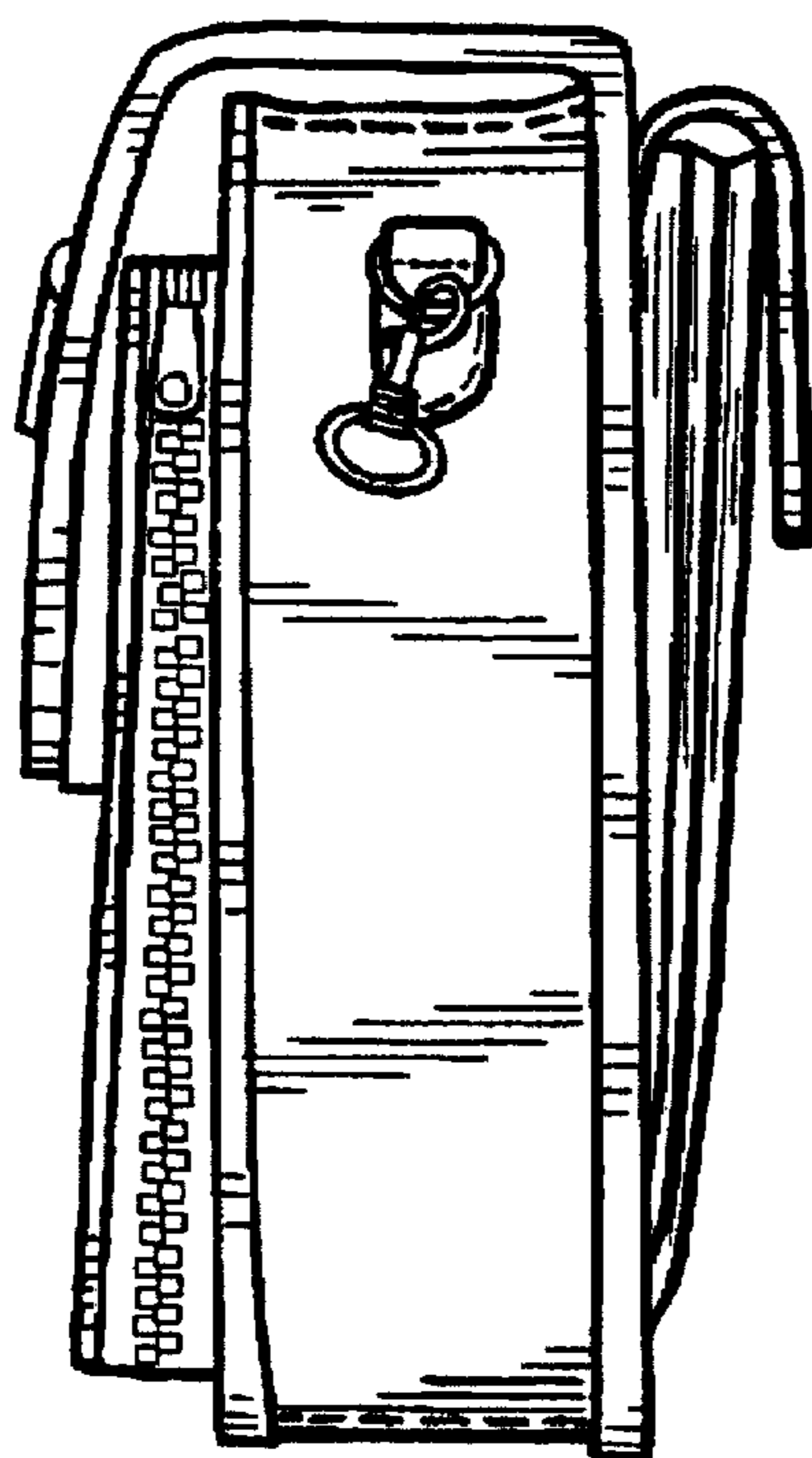


FIG. 11

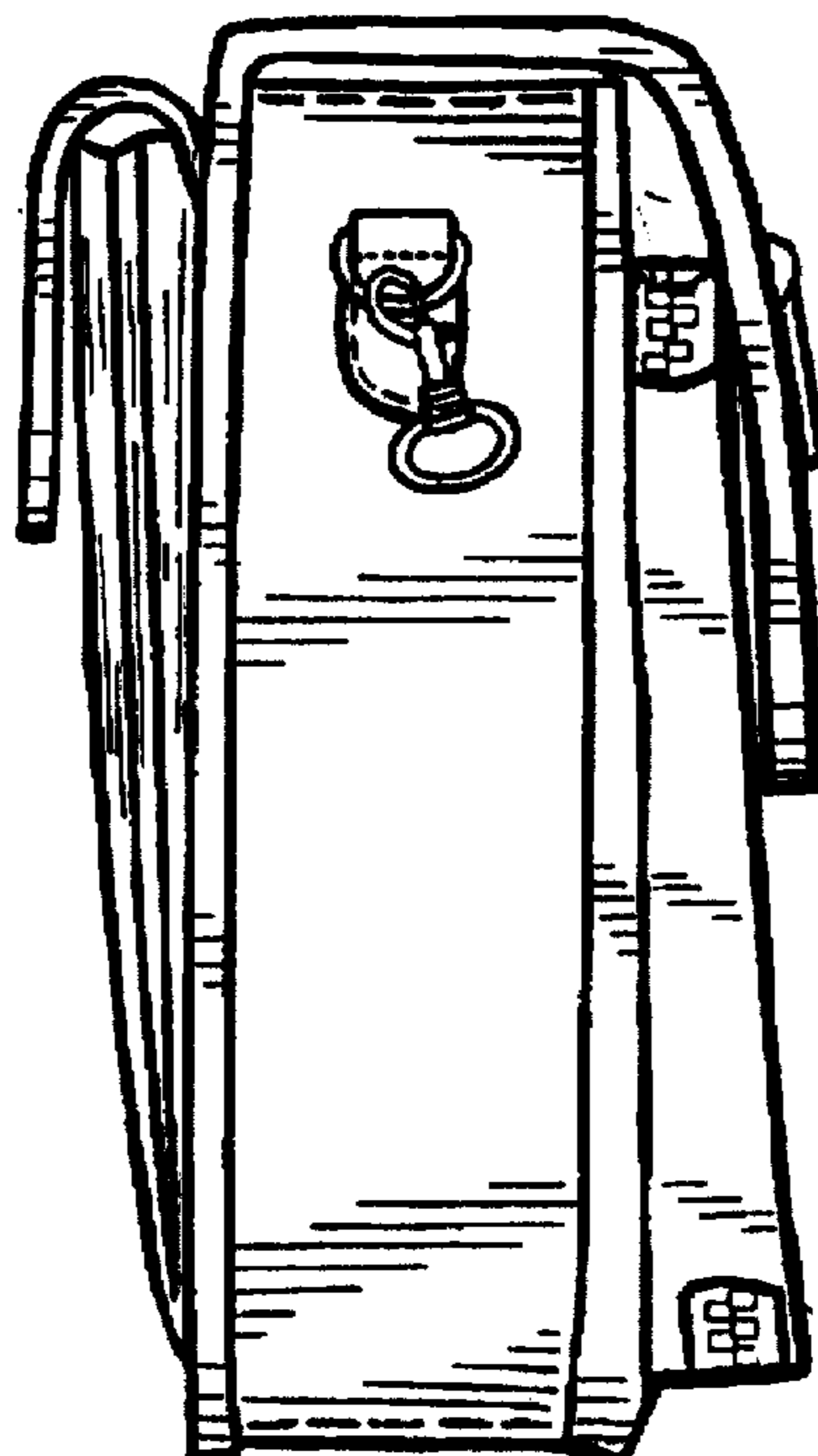


FIG. 12