



US00D384807S

United States Patent [19] Dougherty

[11] Patent Number: **Des. 384,807**

[45] Date of Patent: ****Oct. 14, 1997**

[54] **GUITAR CASE**
[75] Inventor: **Thomas D. Dougherty, Richmond, Va.**
[73] Assignee: **TKL Products Corp., Oilville, Va.**
[**] Term: **14 Years**

1,900,718 3/1933 Lang 206/314 X
3,298,478 1/1967 Soprani 206/314 X
4,531,632 7/1985 Weber 206/14

Primary Examiner—Prabhakar Deshmukh
Attorney, Agent, or Firm—Lerner, David, Littenberg,
Krumholz & Mentlik

[21] Appl. No.: **45,193**
[22] Filed: **Oct. 12, 1995**

[57] **CLAIM**

The ornamental design for a guitar case, as shown and described.

[51] **LOC (6) Cl.** **03-01**
[52] **U.S. Cl.** **D3/204; D9/423**
[58] **Field of Search** D3/204, 201, 272,
D3/273, 274, 276, 282, 294; D9/423, 424,
432; 206/314, 14; 220/334, 337, 380; 150/118,
119, 120; 190/100, 19

DESCRIPTION

FIG. 1 is a perspective view of a guitar case showing my new design;

FIG. 2 is a front elevational view thereof;
FIG. 3 is a rear elevational view thereof;
FIG. 4 is a left-side elevational view thereof;
FIG. 5 is a right-side elevational view thereof;
FIG. 6 is a top plan view thereof; and,
FIG. 7 is a bottom plan view thereof.

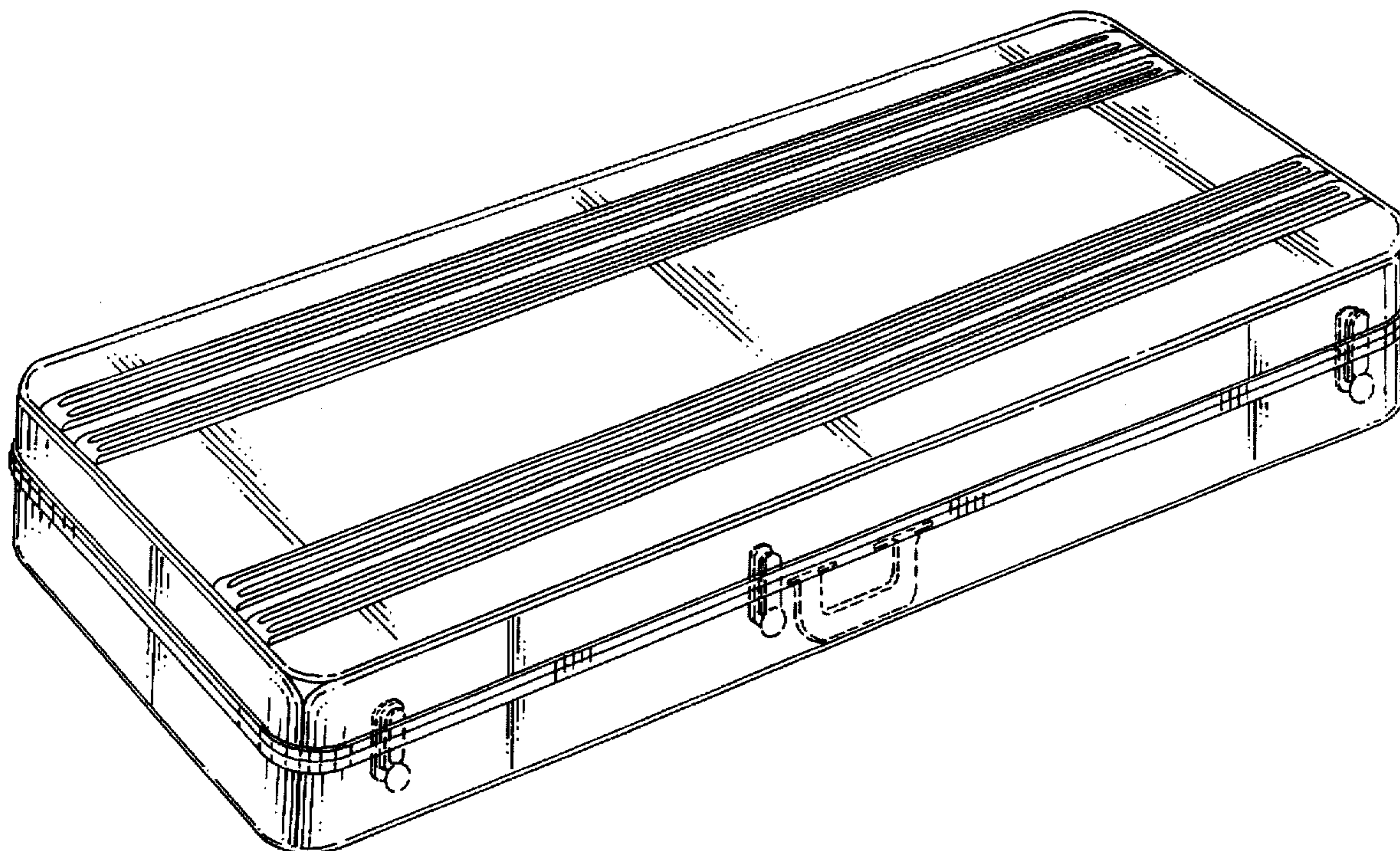
The broken line showing of the hardware is for illustrative purpose only and forms no part of the design.

[56] **References Cited**

U.S. PATENT DOCUMENTS

D. 209,373 11/1967 Gordon D3/204
D. 247,993 5/1978 Calzone, III D3/204
D. 263,652 4/1982 Peavey D3/204
1,664,476 4/1928 Geib 206/314
1,888,927 11/1932 Lang 206/314

1 Claim, 4 Drawing Sheets



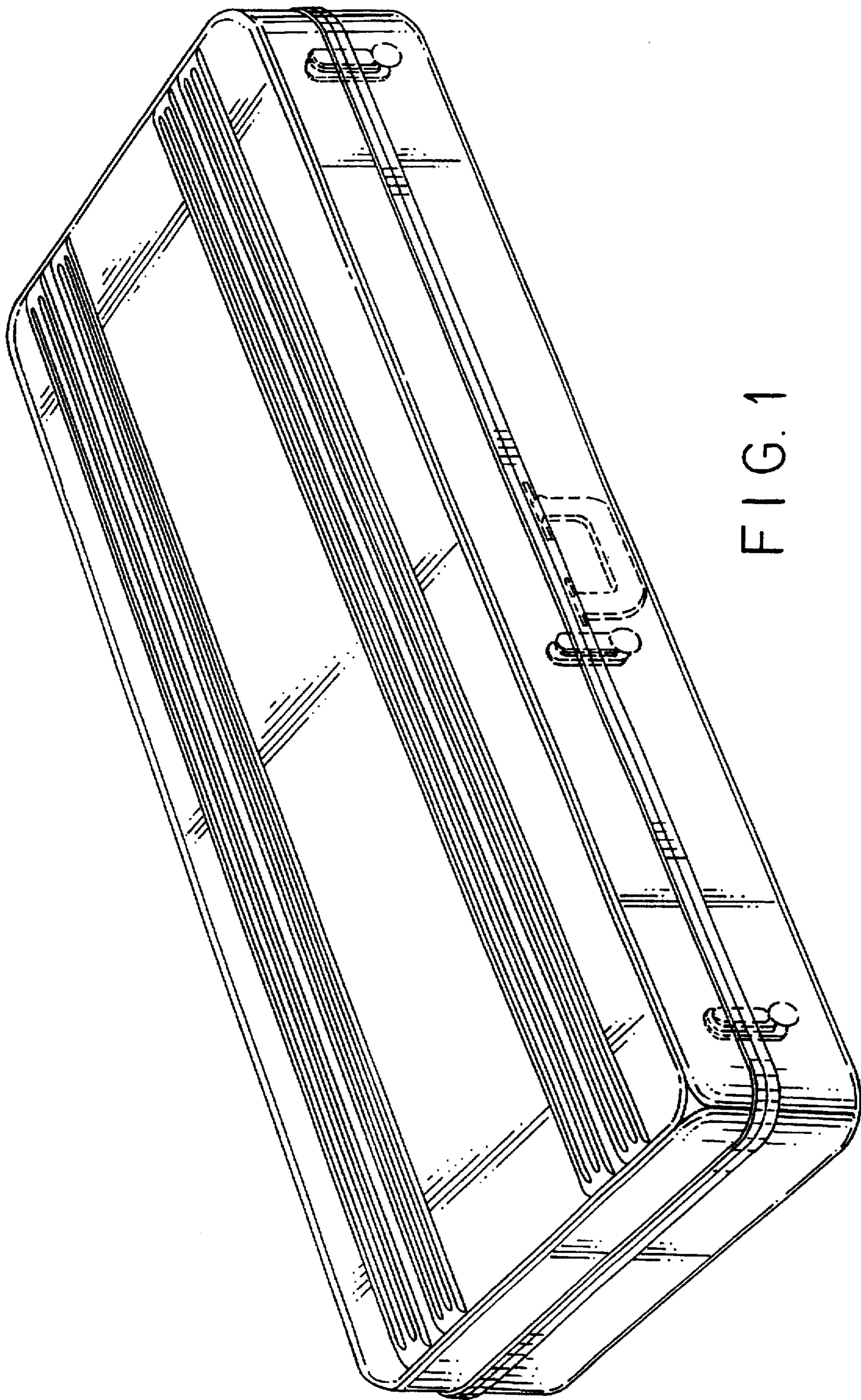


FIG. 1

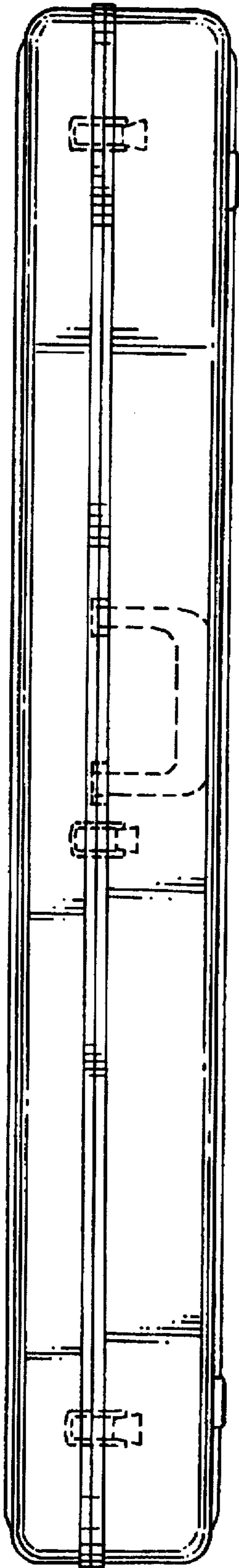


FIG. 2

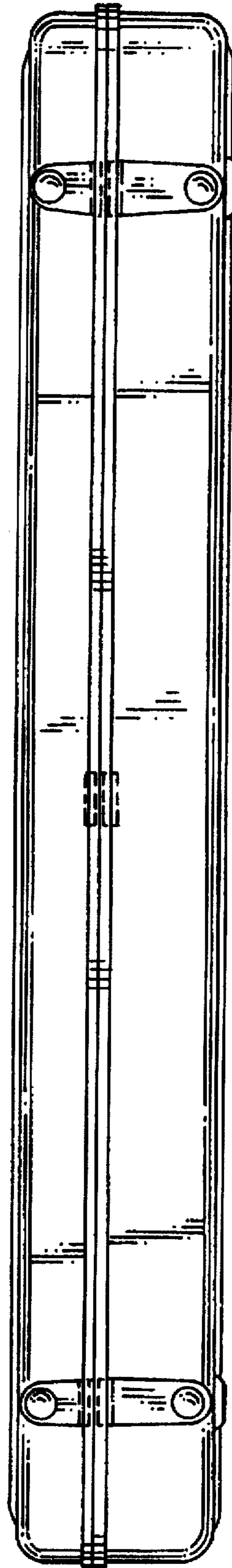


FIG. 3

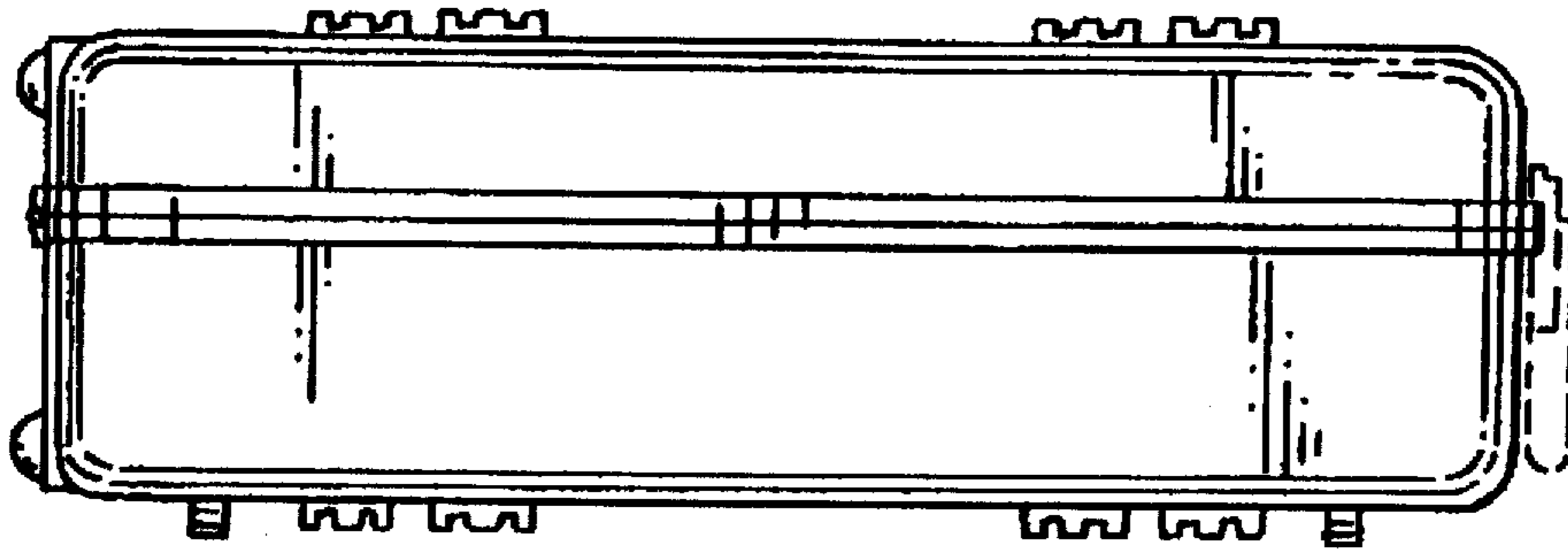


FIG. 4

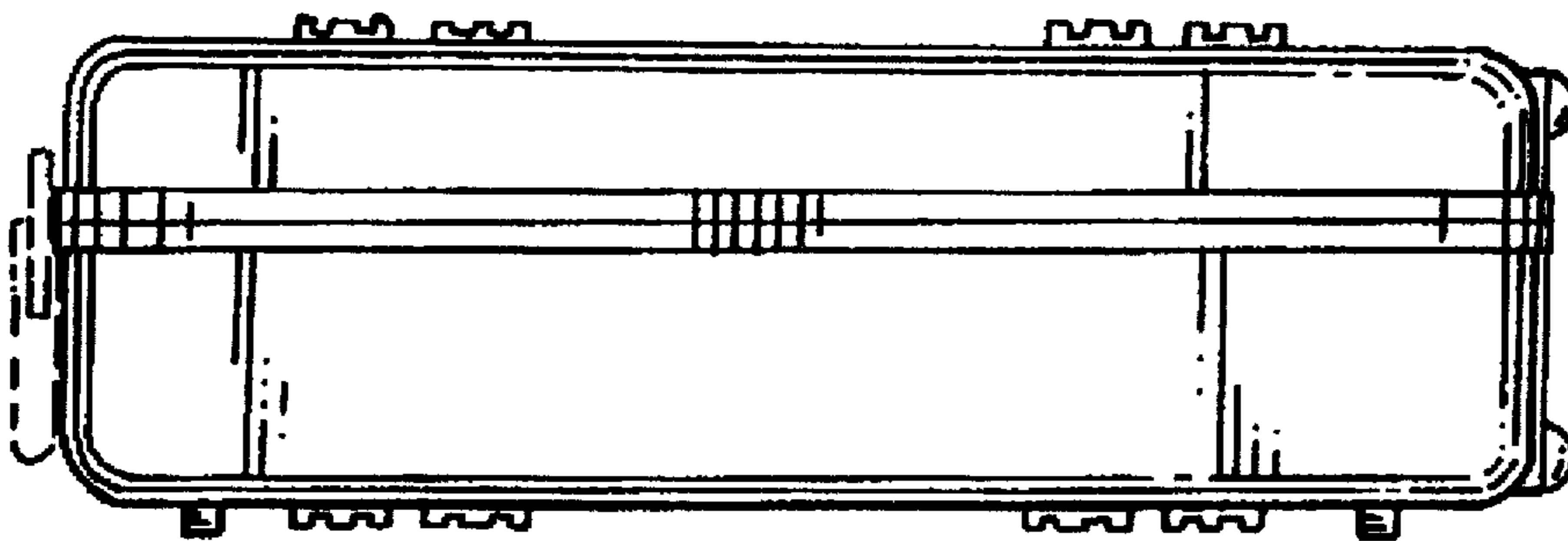


FIG. 5

FIG. 6

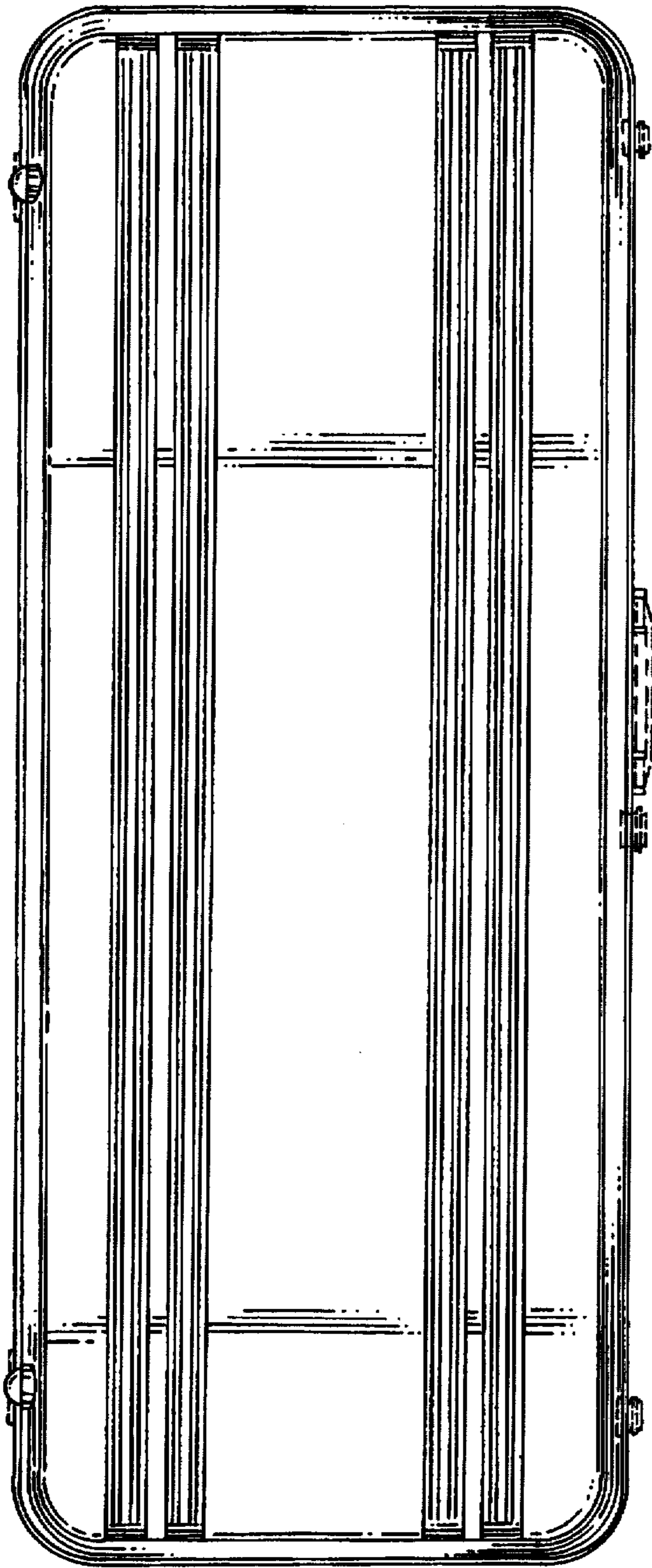


FIG. 7

