



US00D384784S

United States Patent [19] Hebert

[11] Patent Number: **Des. 384,784**
[45] Date of Patent: ****Oct. 7, 1997**

[54] **DOLLY**
[76] Inventor: **Paul W. Hebert**, 6450 Lakeshore Dr.,
San Diego, Calif. 92119
[**] Term: **14 Years**
[21] Appl. No.: **53,755**
[22] Filed: **Apr. 29, 1996**
[51] LOC (6) Cl. **12-02**
[52] U.S. Cl. **D34/23; D34/24**
[58] Field of Search **D34/12-27; 280/79.11,**
280/652, 47.24, 47.26

1,879,214 9/1932 Hallowell et al. 280/79.11
2,738,542 3/1956 Clark, Jr. 280/79.11
2,974,917 3/1961 Kappen 280/79.11
4,958,846 9/1990 Greenberg 280/652

Primary Examiner—Kay H. Chin

[57] CLAIM

The ornamental design for a dolly, as shown and described.

DESCRIPTION

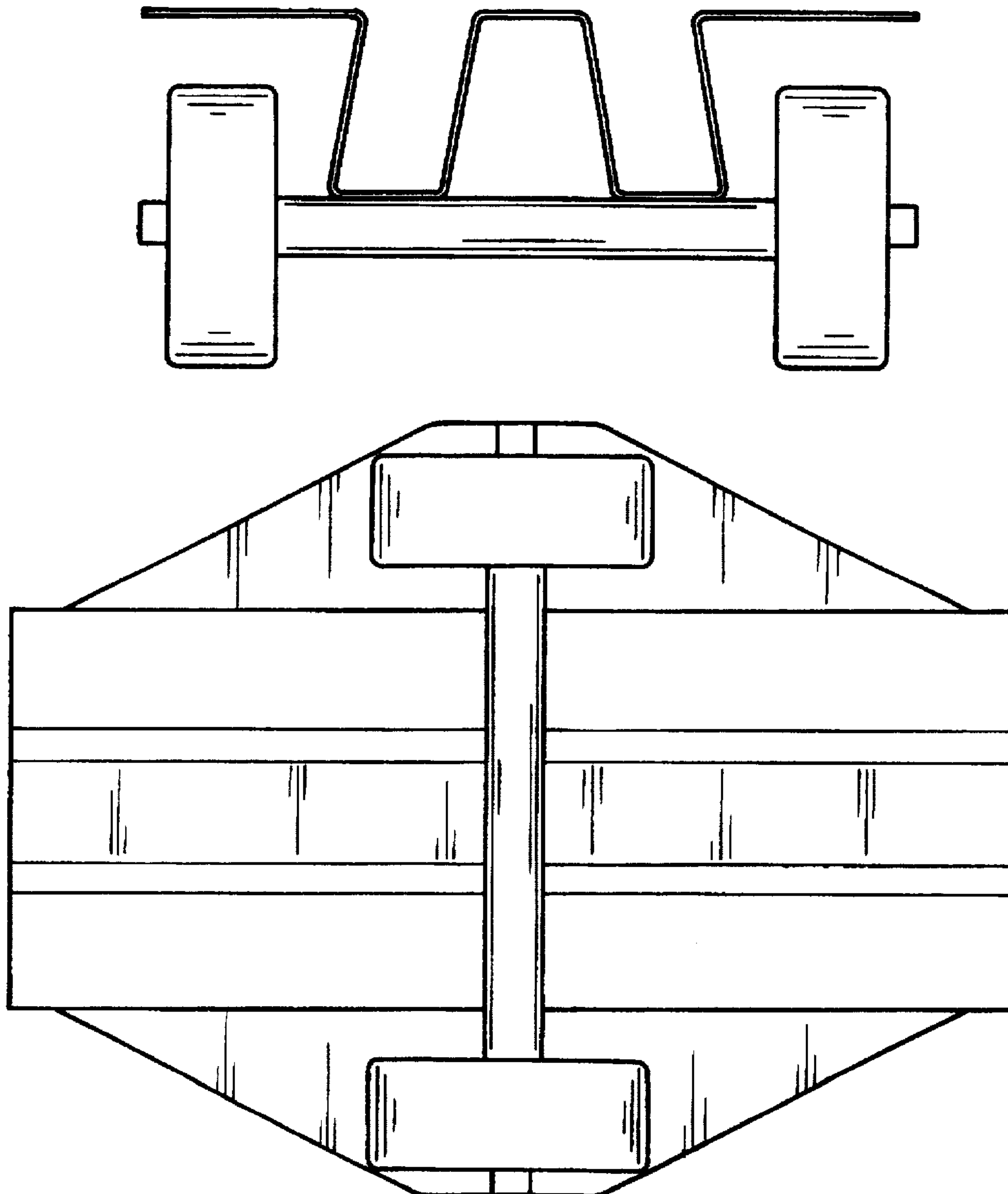
FIG. 1 is a front elevation view of the novel dolly showing my new design and the rear elevation view is identical thereto;
FIG. 2 is a right side elevation view and the left side elevation view is identical thereto;
FIG. 3 is a top plan view thereof; and,
FIG. 4 is a bottom plan view thereof.

[56] References Cited

U.S. PATENT DOCUMENTS

D. 334,267 3/1993 Vickery, III D34/12
1,658,893 2/1928 Gladding 280/79.11

1 Claim, 1 Drawing Sheet



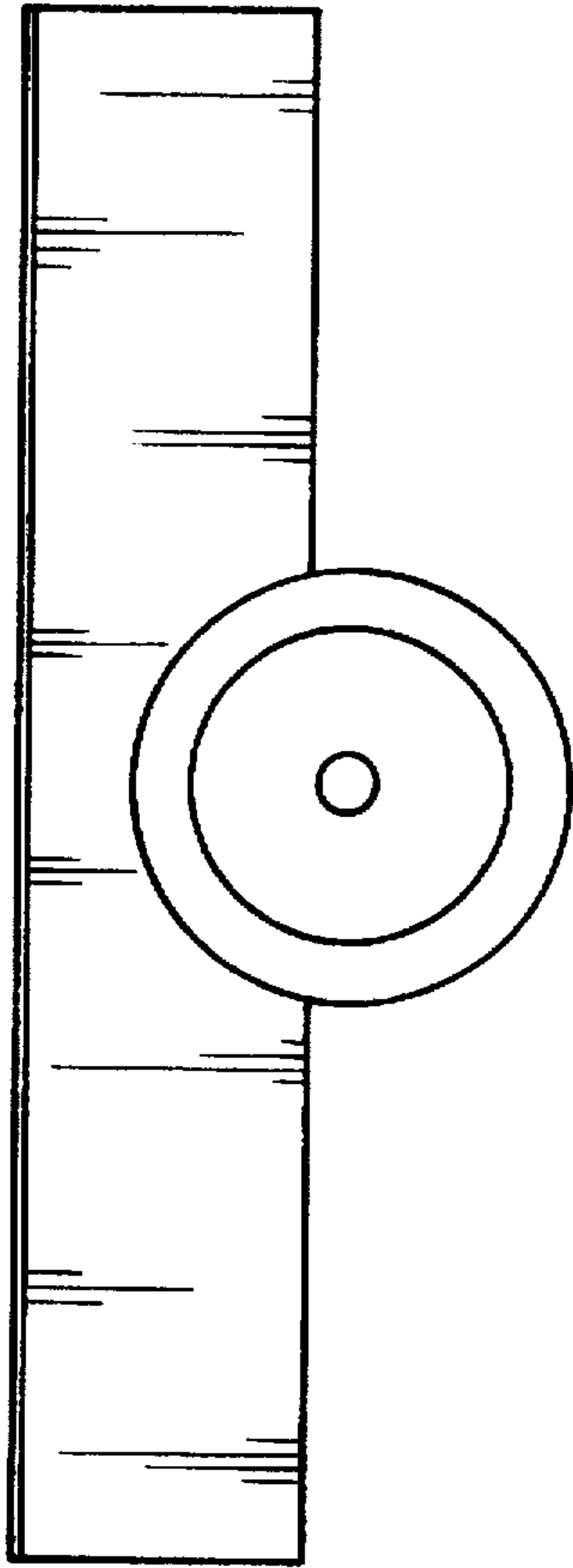


FIGURE 2

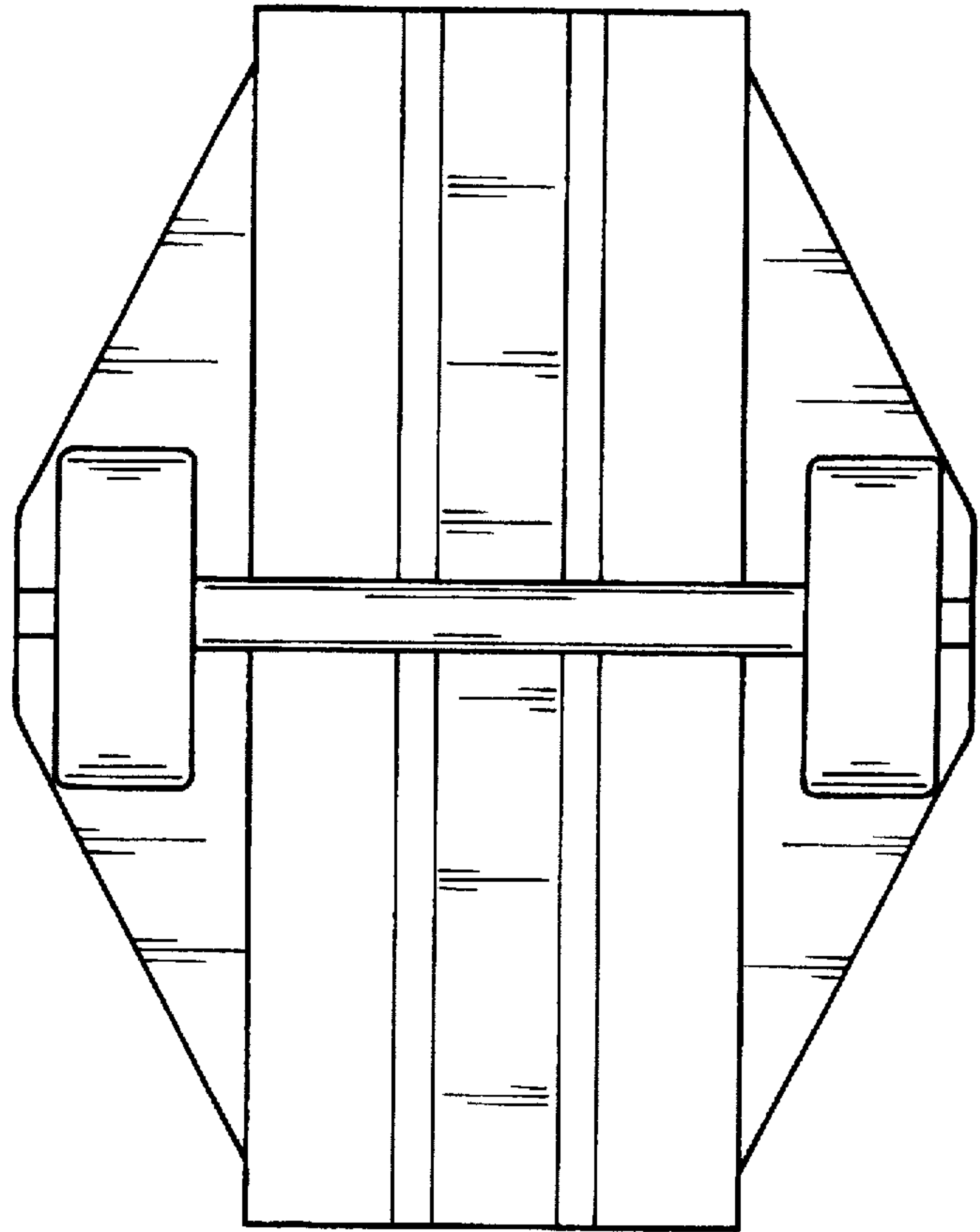


FIGURE 4

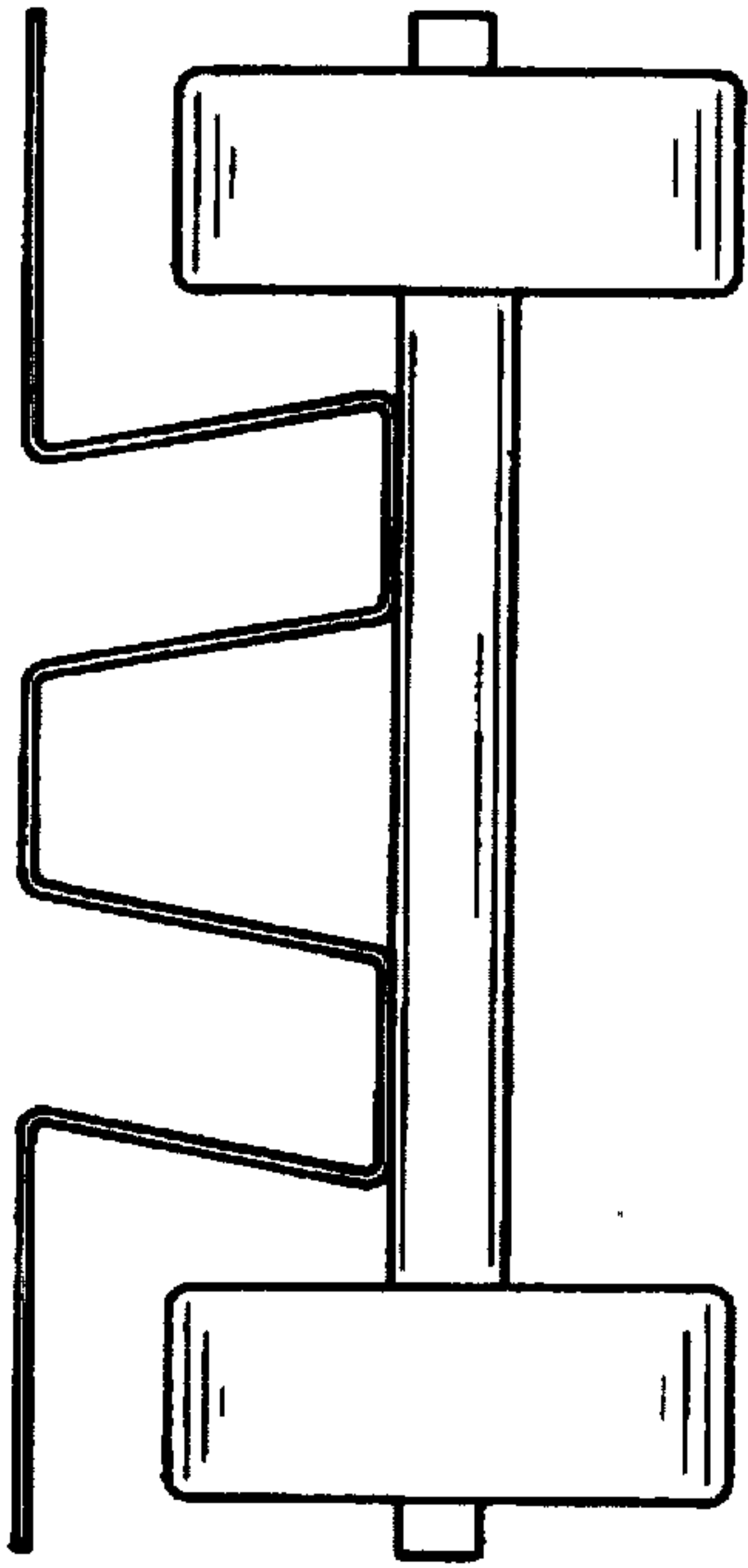


FIGURE 1

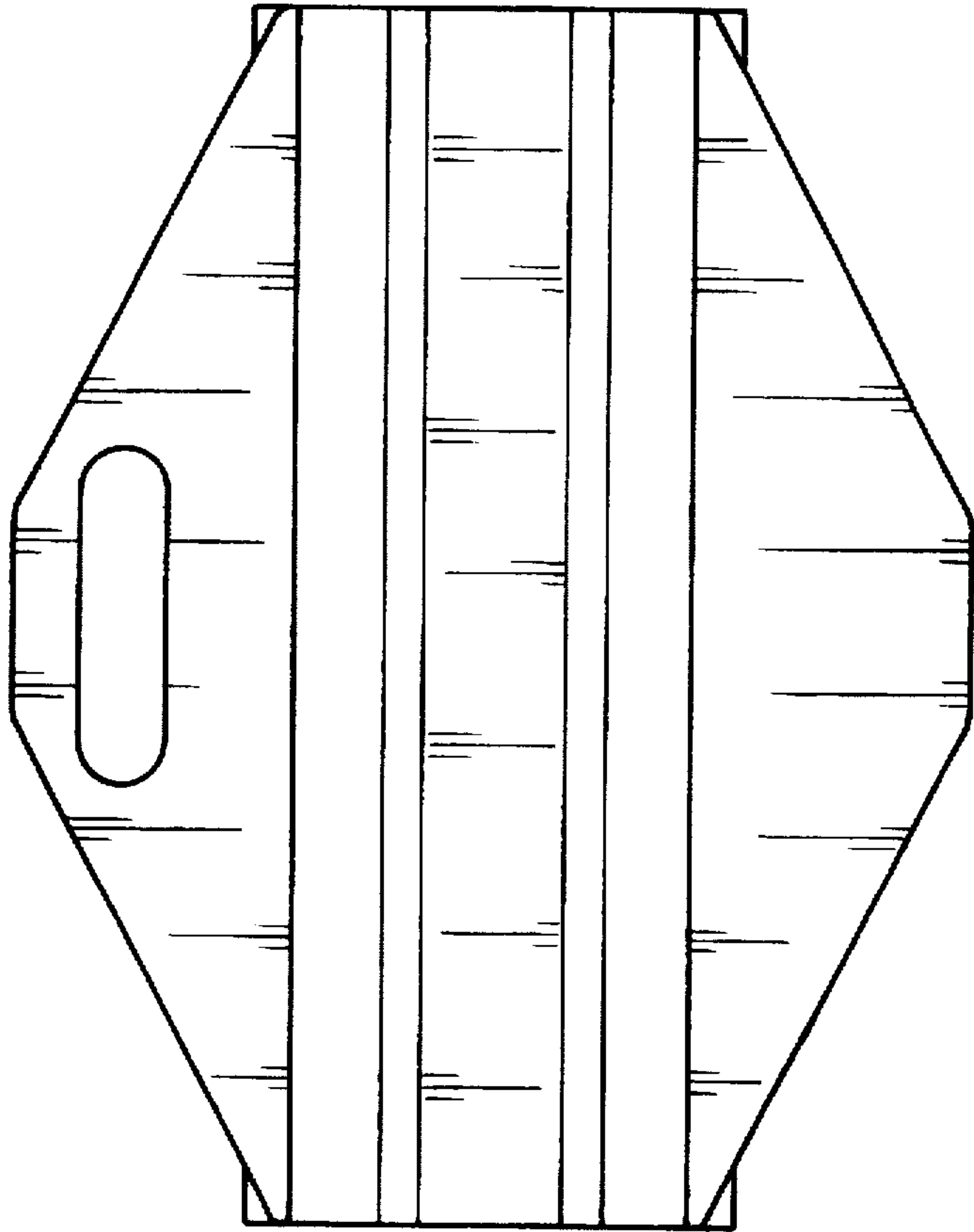


FIGURE 3