



US00D384781S

# United States Patent [19]

[11] Patent Number: **Des. 384,781**

Moine et al.

[45] Date of Patent: **\*\*Oct. 7, 1997**

[54] **HAND HELD VACUUM CLEANER**

[75] Inventors: **David W. Moine; John D. Essex**, both of North Canton, Ohio

[73] Assignee: **The Hoover Company**, North Canton, Ohio

[\*\*] Term: **14 Years**

[21] Appl. No.: **55,753**

[22] Filed: **Jun. 12, 1996**

### Related U.S. Application Data

[62] Division of Ser. No. 44,847, Oct. 2, 1995.

[51] LOC (6) Cl. .... **15-05**

[52] U.S. Cl. .... **D32/18**

[58] Field of Search ..... **D32/17, 18; 15/329, 15/344, 347**

### [56] References Cited

#### U.S. PATENT DOCUMENTS

D. 261,473	10/1981	Hug	.....	D32/18
D. 280,246	8/1985	Smith	.....	D32/18
D. 288,971	3/1987	Hohulin et al.	.....	D32/18
D. 290,893	7/1987	Essex	.....	D32/18
D. 291,376	8/1987	Hetherington	.....	D32/18
D. 315,623	3/1991	Bartasevich et al.	.....	D32/18
D. 352,141	11/1994	Correa et al.	.....	D32/18
D. 368,558	4/1996	Wolfe et al.	.....	D32/18
D. 368,992	4/1996	Umbach et al.	.....	D32/18
1,355,553	10/1920	Goughnour	.	
2,395,430	2/1946	Sloan	.....	15/7

Primary Examiner—Ruth McInroy

Attorney, Agent, or Firm—A. Burgess Lowe; Richardson B. Farley

### [57] CLAIM

The ornamental design of a hand held vacuum cleaner, as shown and described.

### DESCRIPTION

FIG. 1 is a side view of our invention of a design for a hand held vacuum cleaner, the opposite side view being a mirror image thereof;

FIG. 2 is a top view thereof;

FIG. 3 is a bottom view thereof;

FIG. 4 is a bottom view similar to FIG. 3 but with the nozzle in an alternative position;

FIG. 5 is a front view of FIG. 1;

FIG. 6 is a front view similar to FIG. 5 but with the nozzle in an alternative position;

FIG. 7 is a rear view of FIG. 1;

FIG. 8 is a second embodiment thereof, the opposite side view being a mirror image thereof;

FIG. 9 is a top view thereof;

FIG. 10 is a bottom view thereof;

FIG. 11 is a front view thereof;

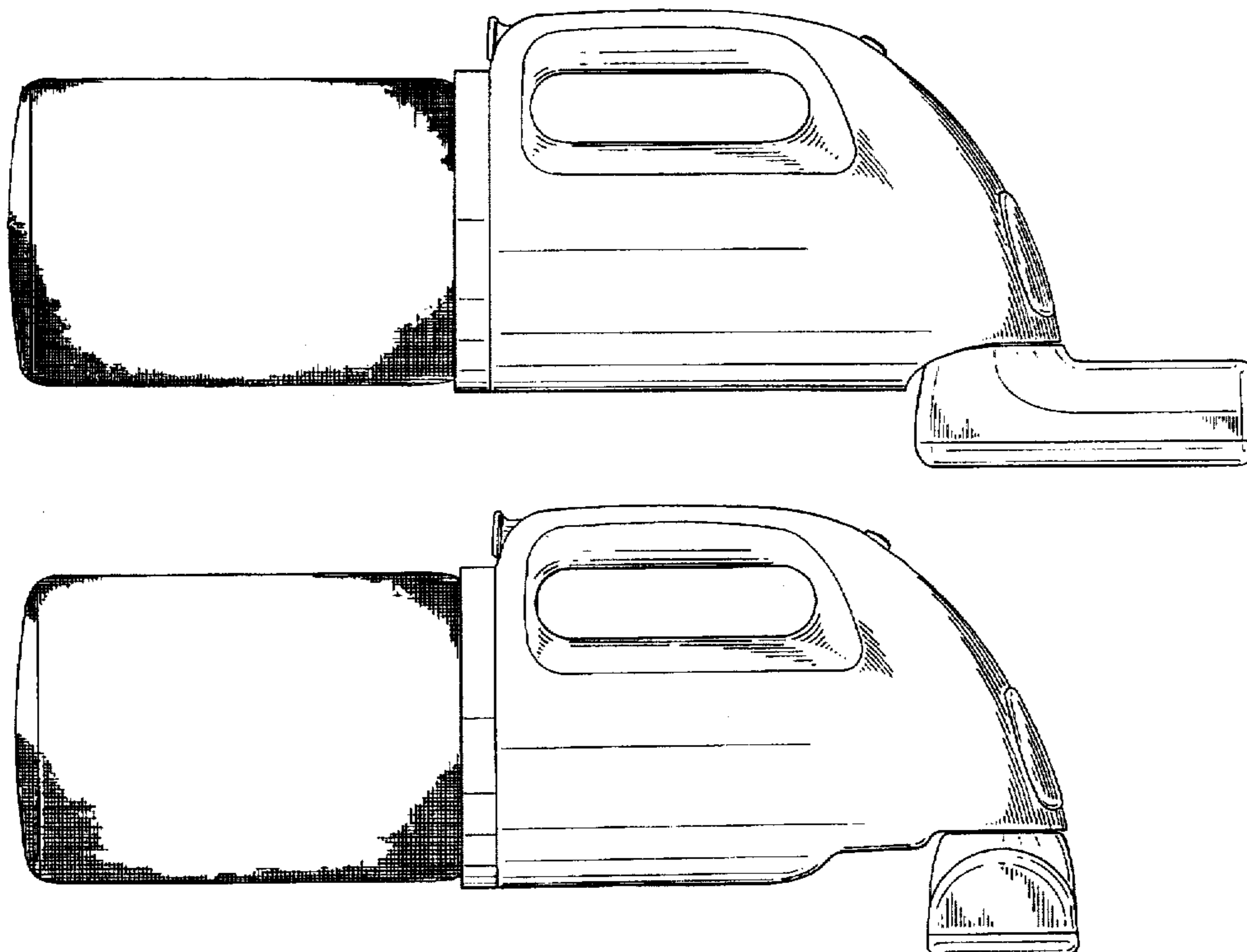
FIG. 12 is a front view similar to FIG. 11 with the nozzle in an alternative position;

FIG. 13 is a side view of the alternative nozzle position shown in FIG. 11; and,

FIG. 14 is a rear view of FIG. 8.

The crosshatch shading shown in FIGS. 1-4, 7-10 and 13-14 is understood to repeat throughout the indicated area.

**1 Claim, 6 Drawing Sheets**



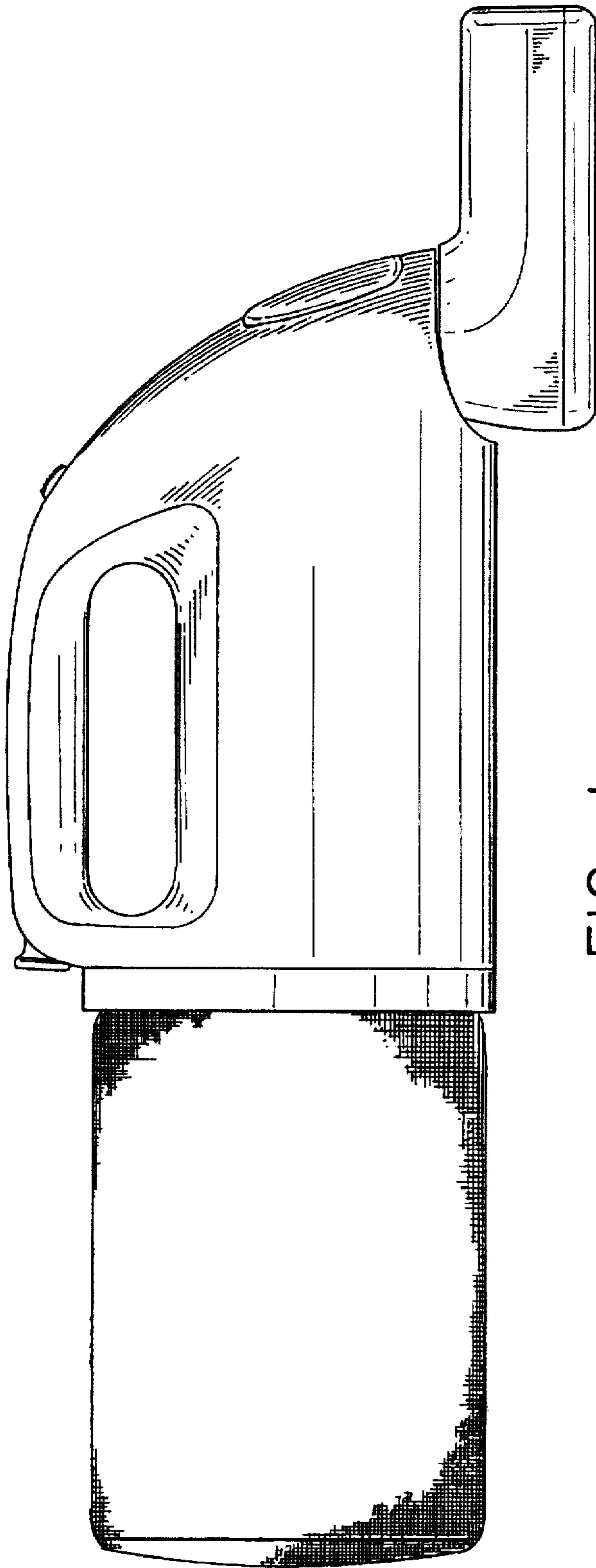


FIG.-1

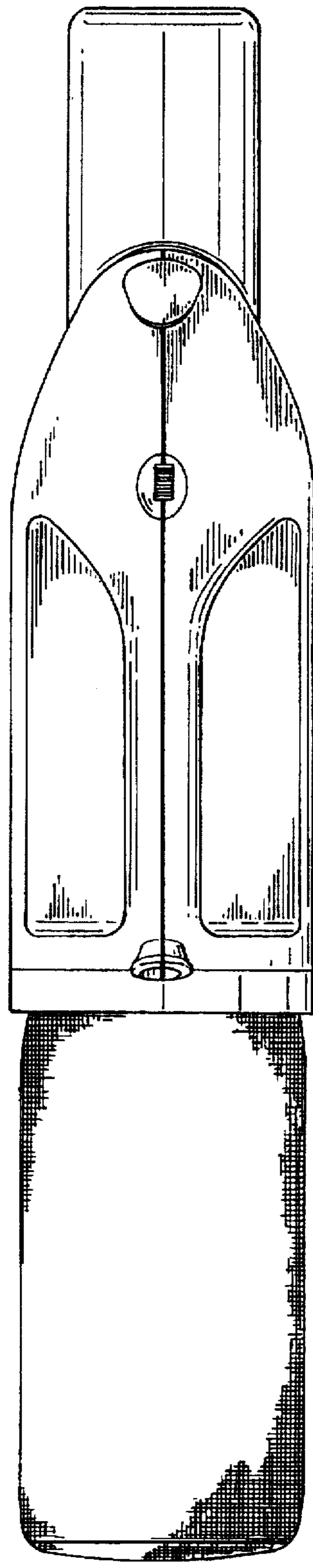


FIG.-2

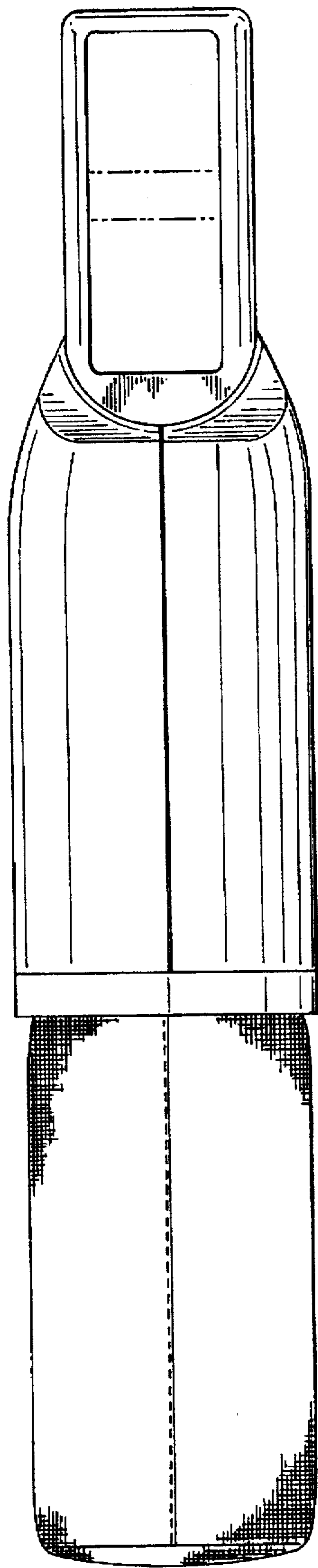


FIG. - 3

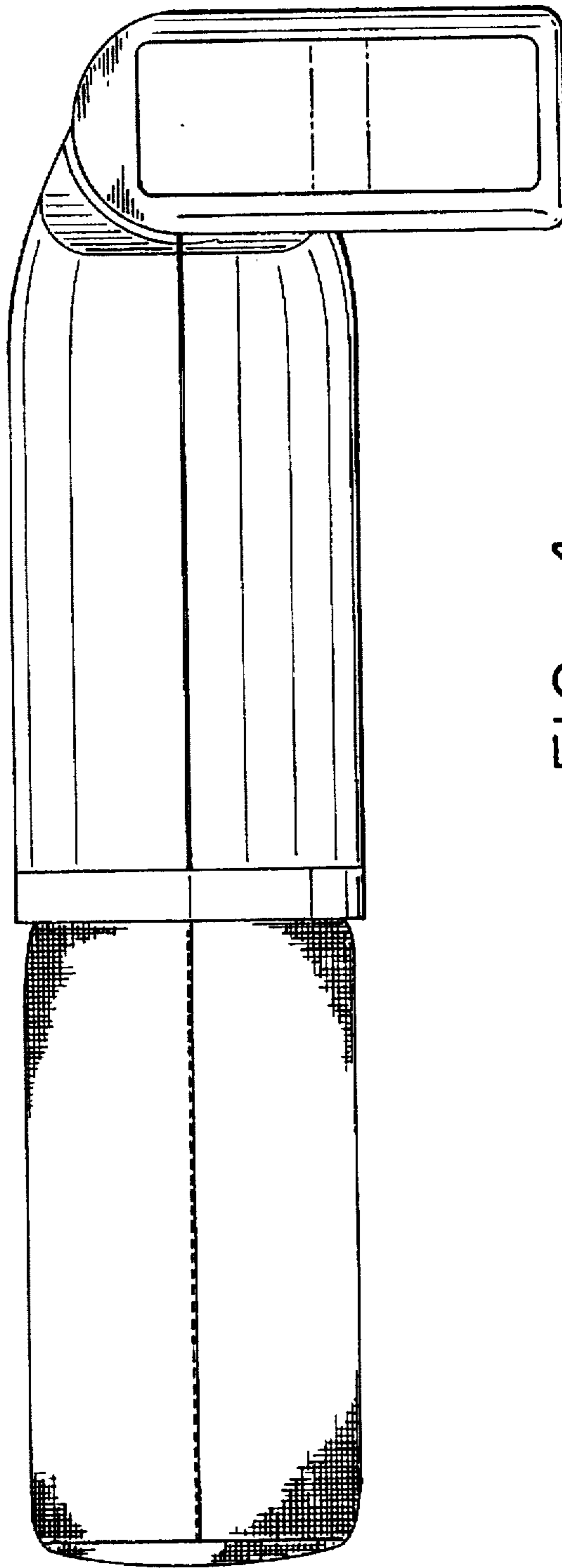


FIG. - 4

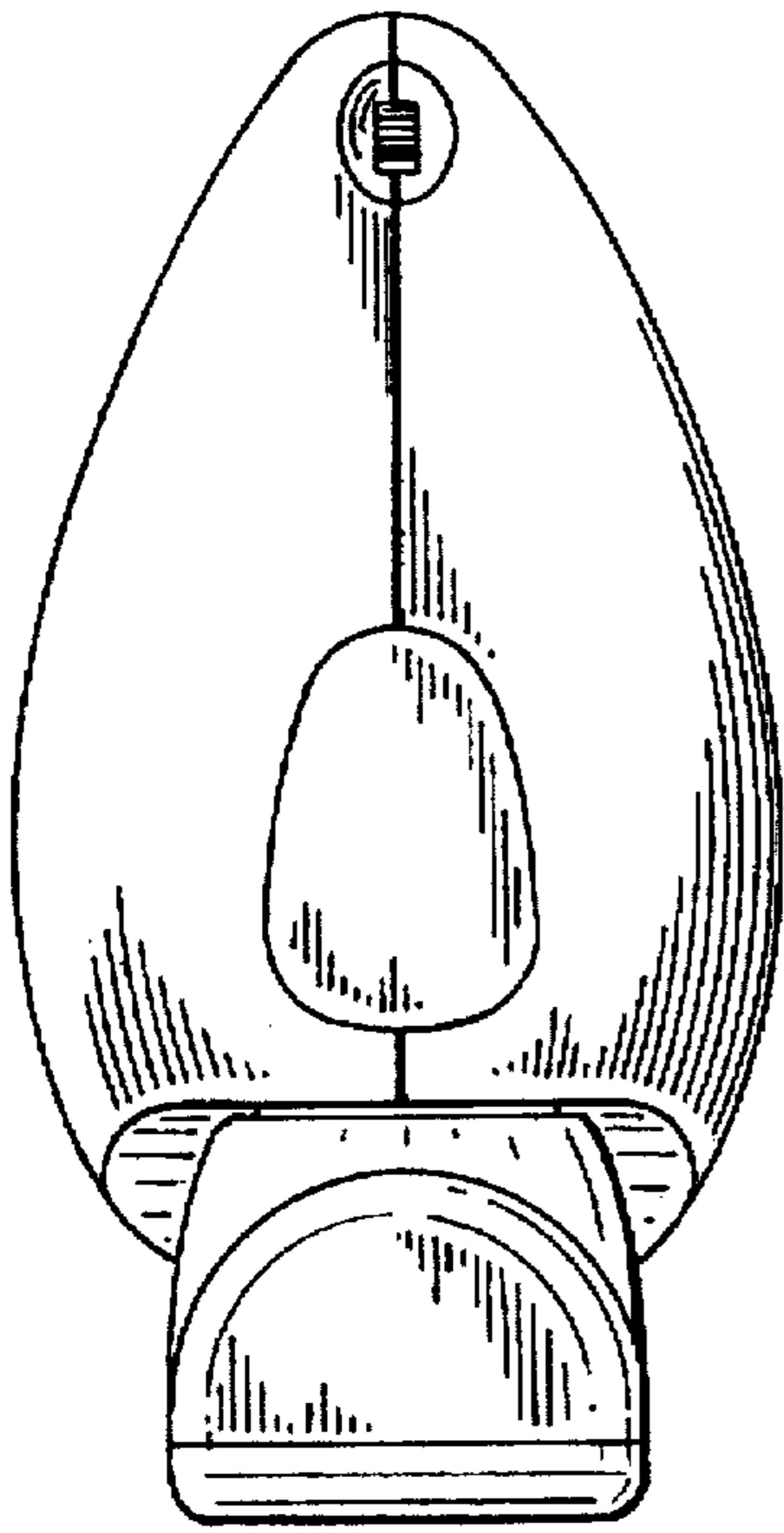


FIG. - 5

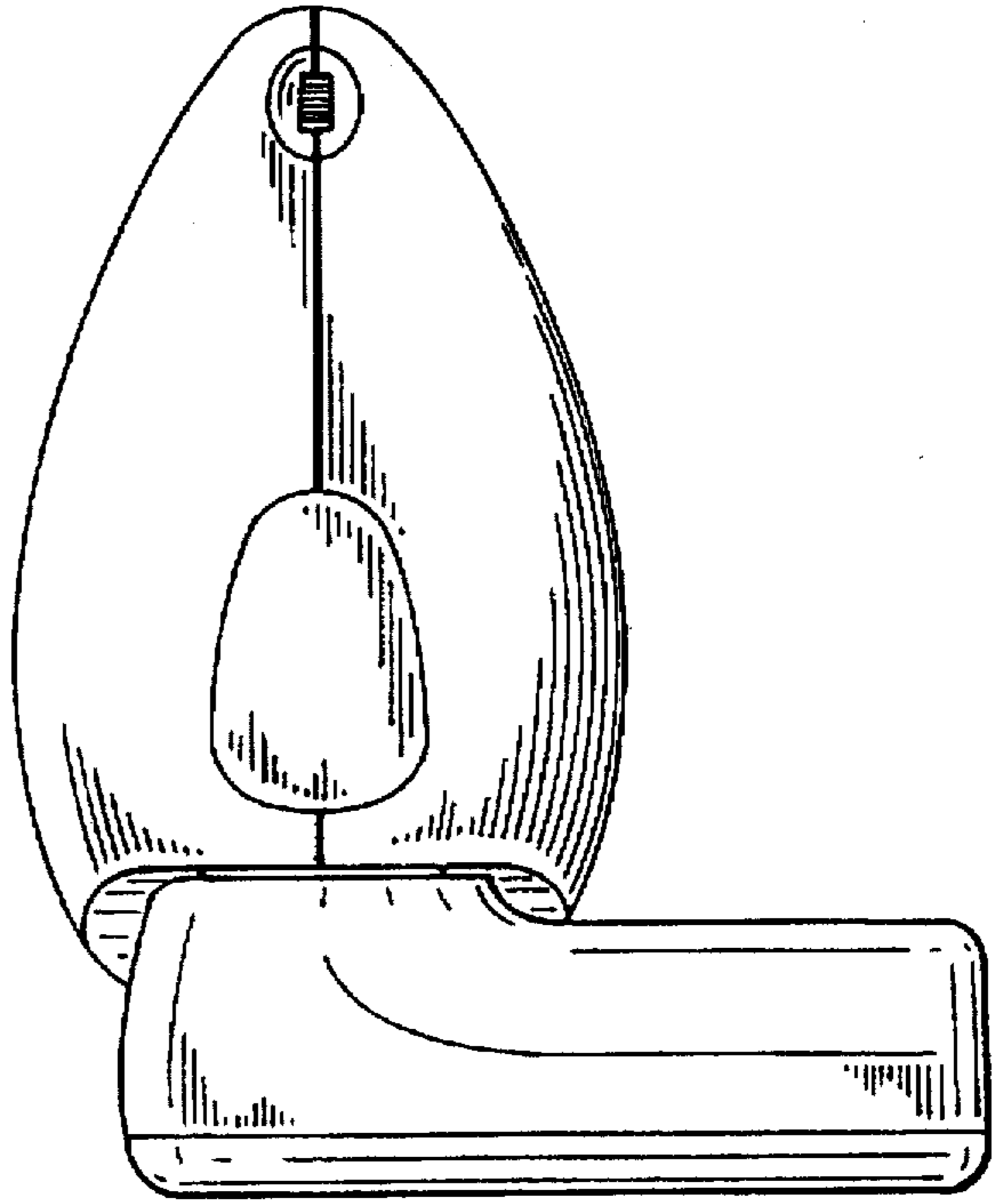


FIG. - 6

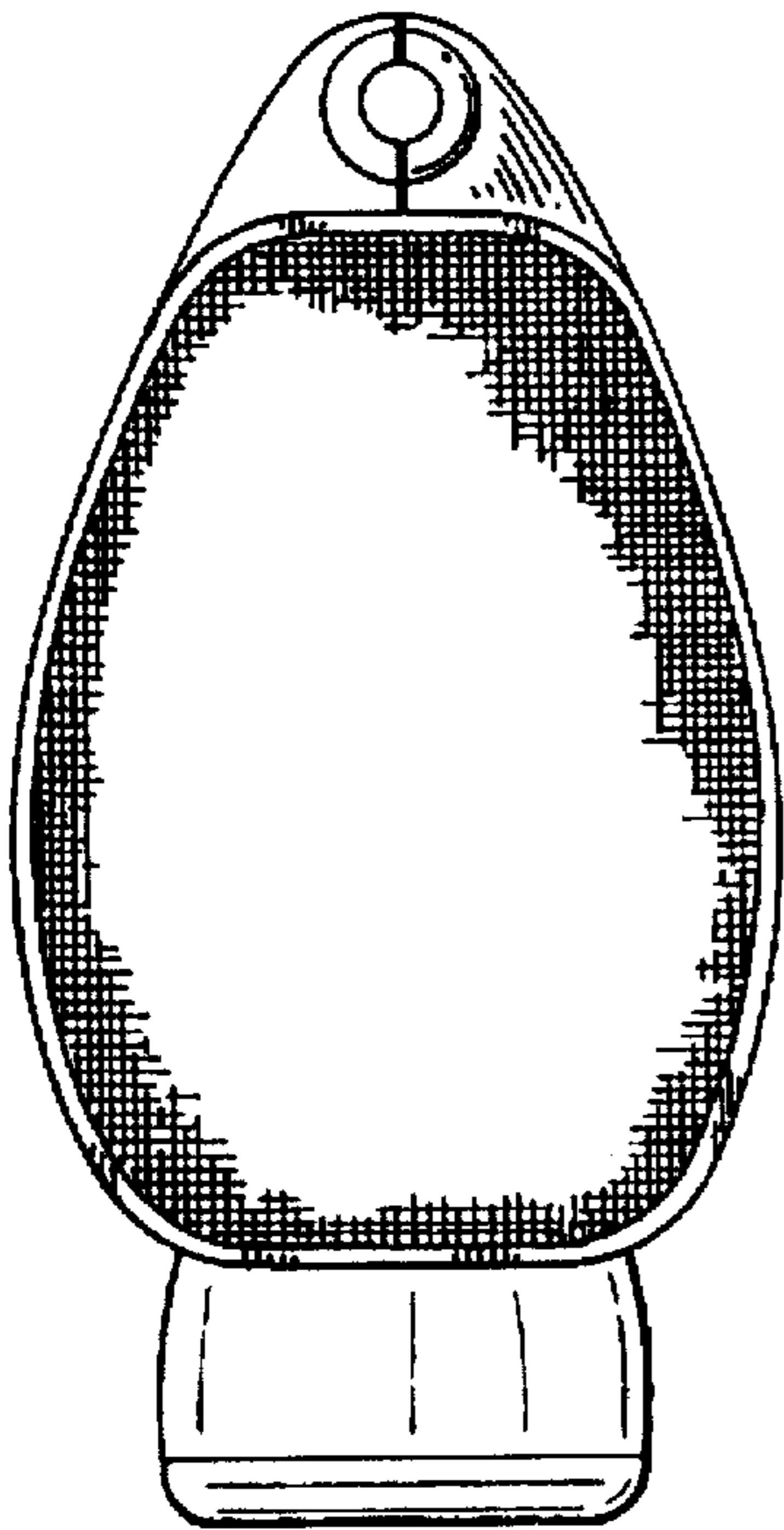


FIG. - 7



FIG. - 8

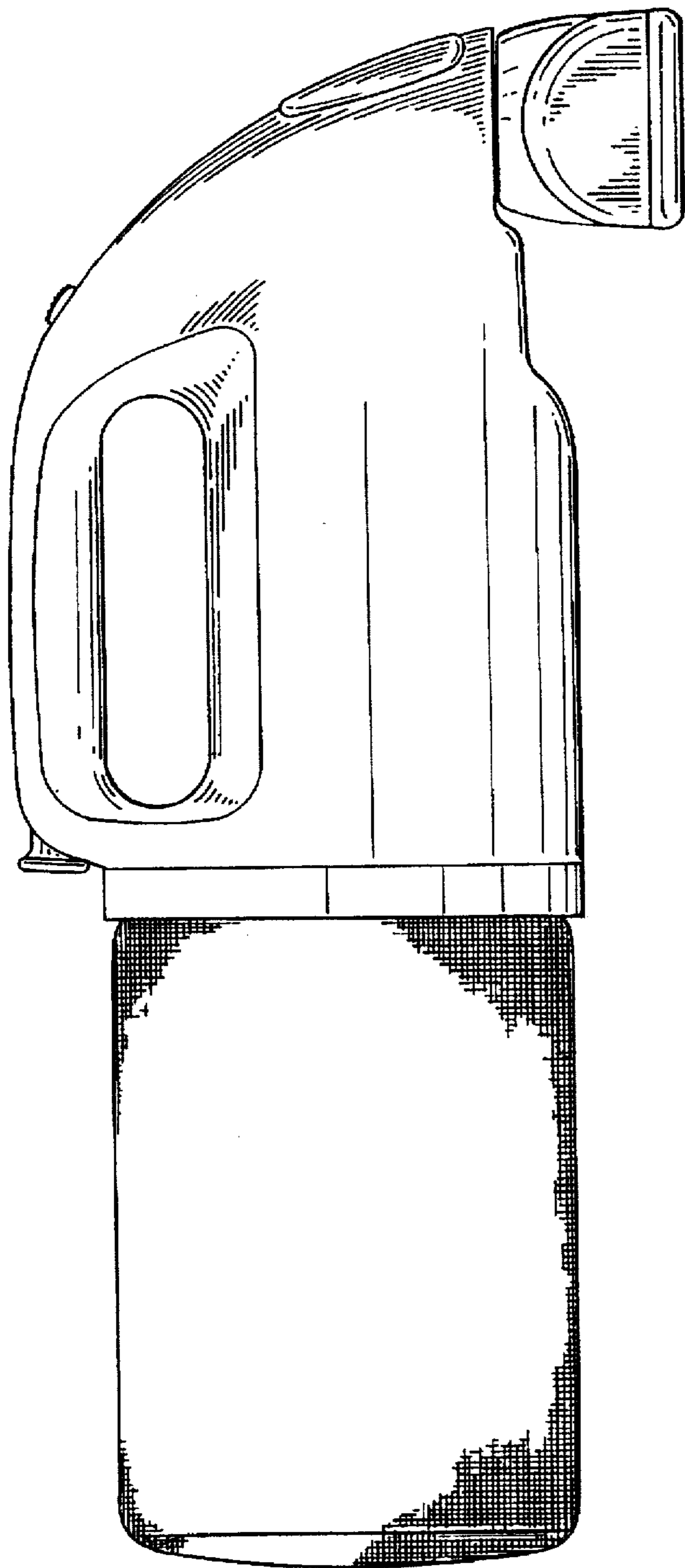


FIG. - 9

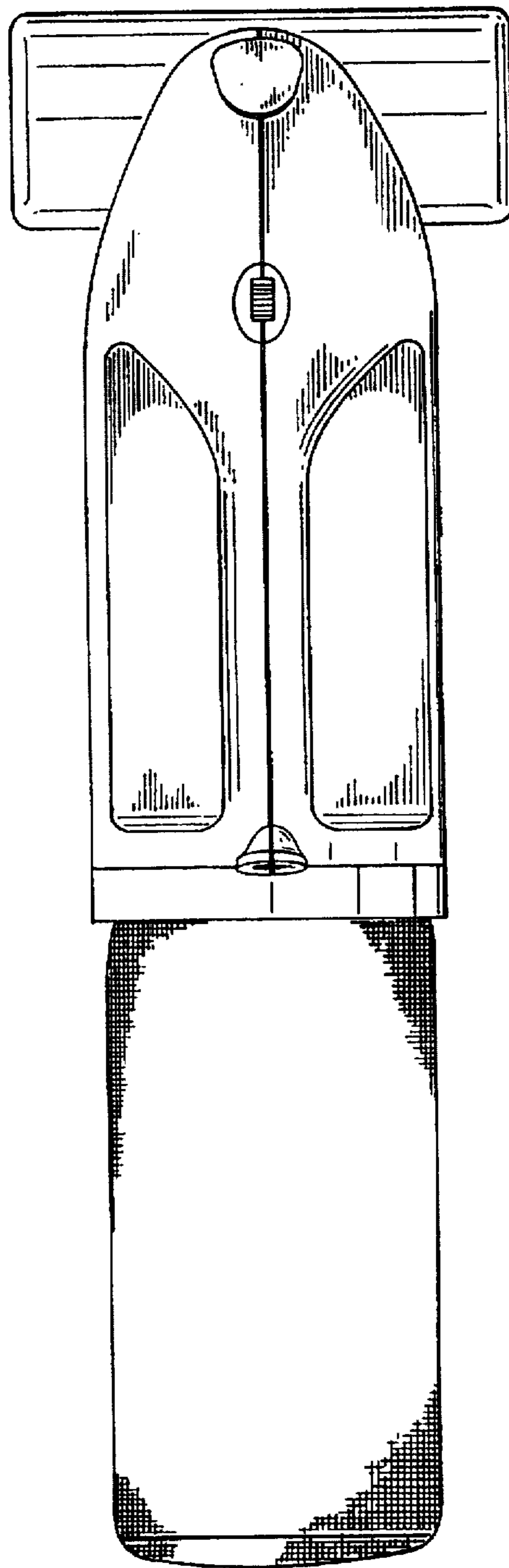


FIG.-10

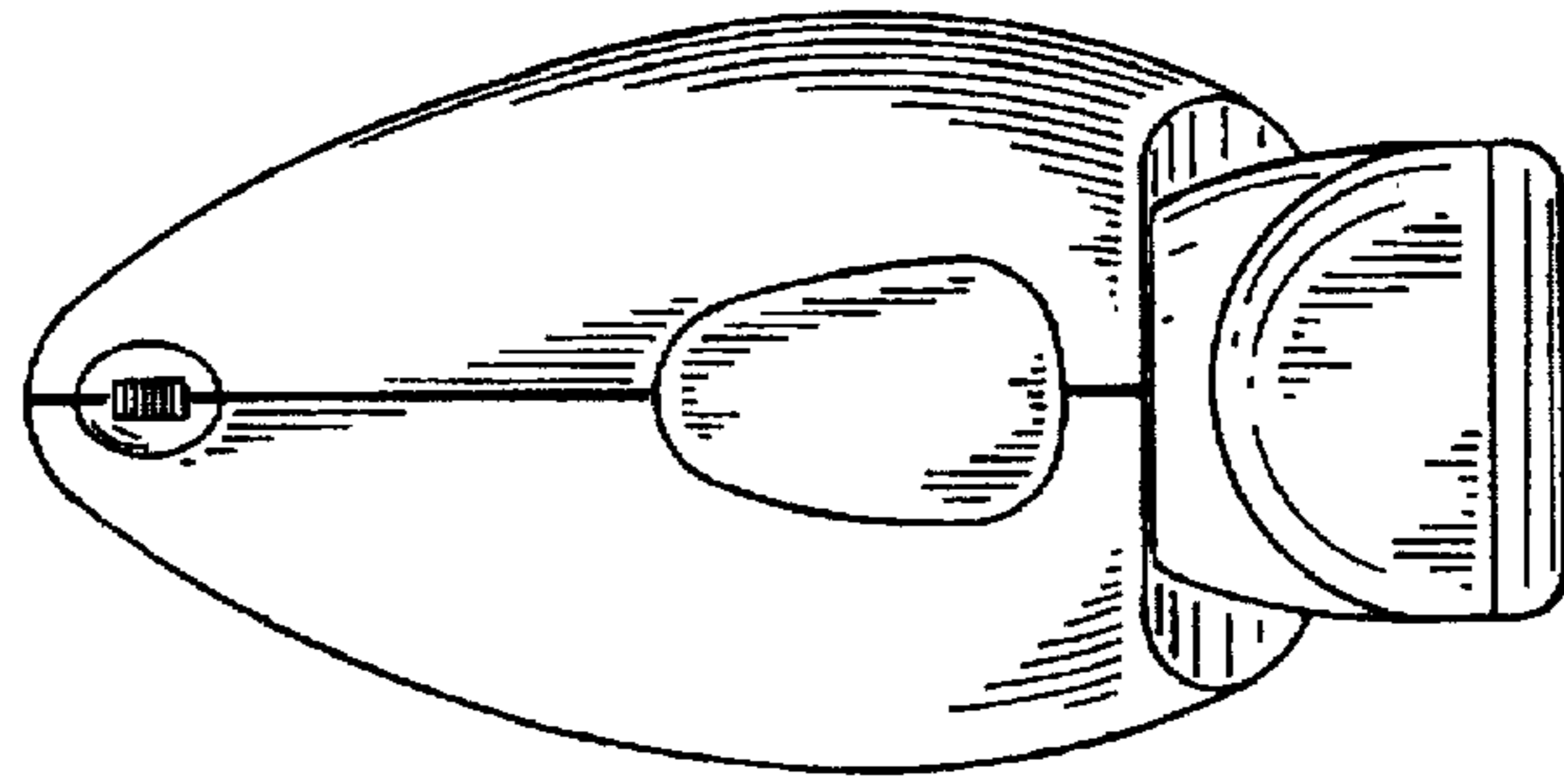
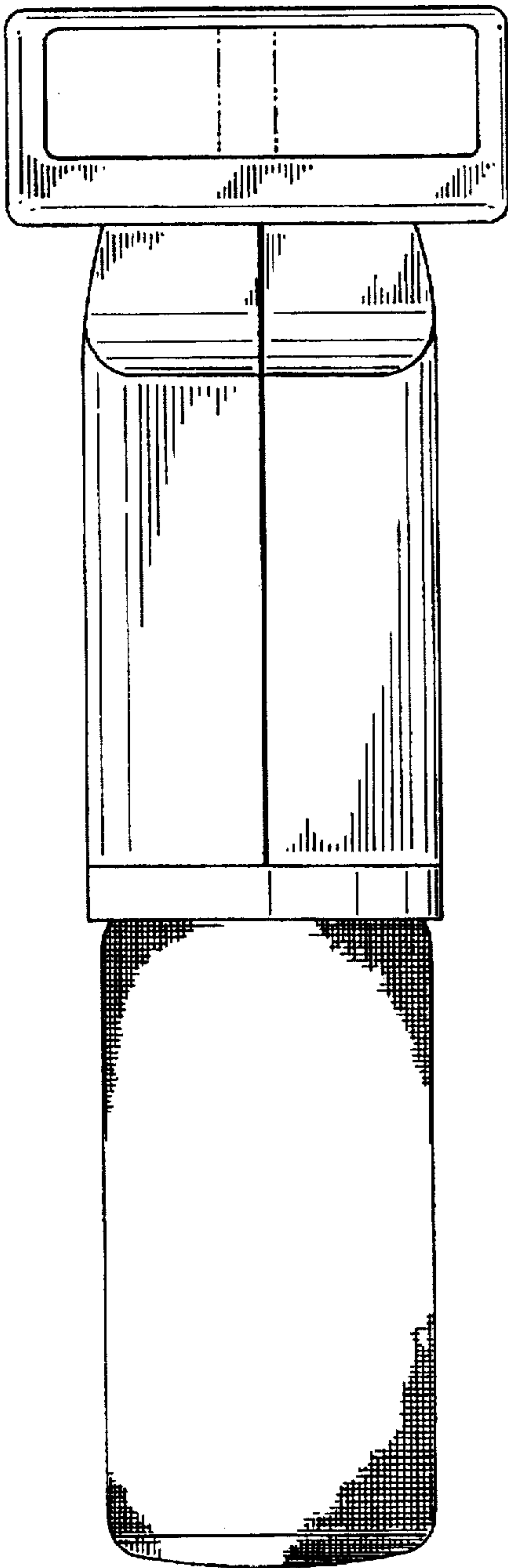


FIG.-12

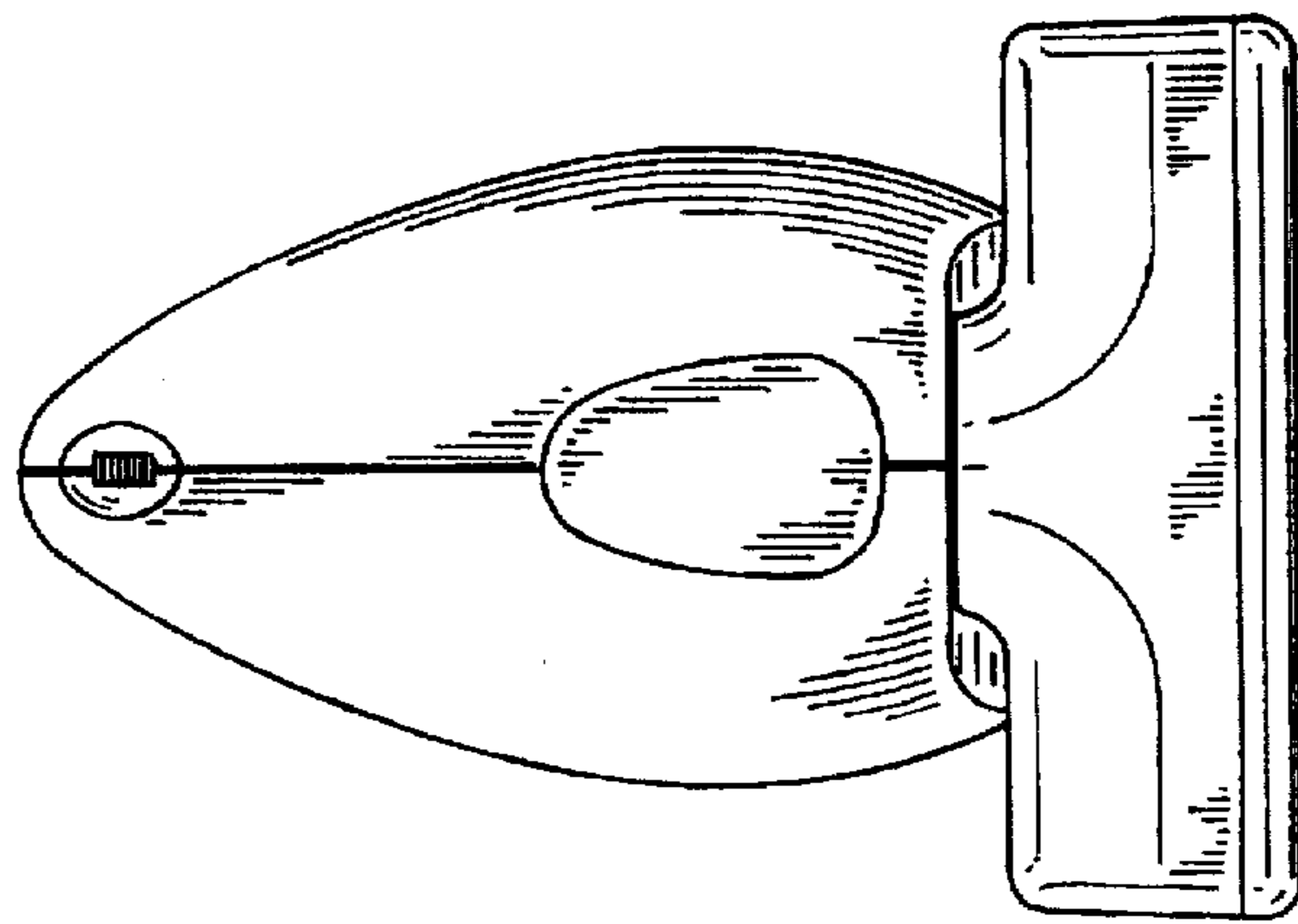


FIG.-11

FIG. - 13

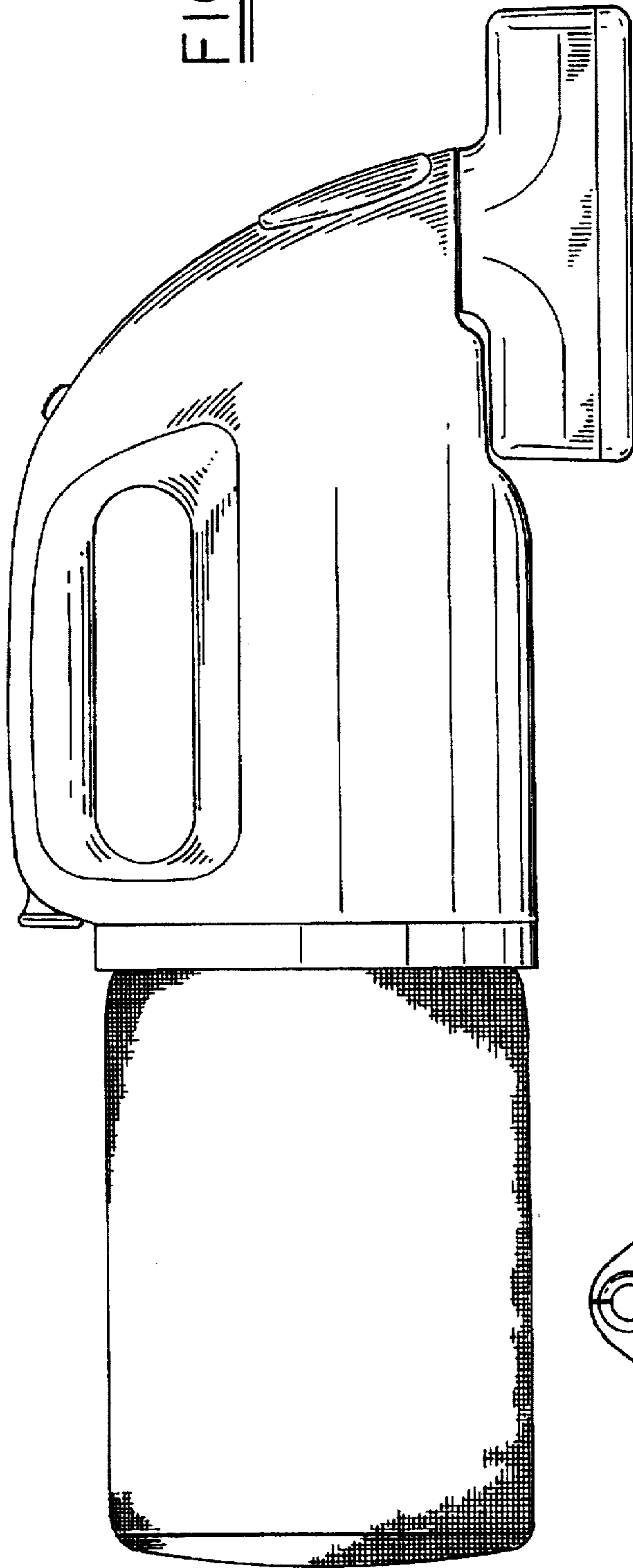


FIG. - 14

