

US00D384778S

# United States Patent [19]

Powers et al.

[11] Patent Number: **Des. 384,778**

[45] Date of Patent: **\*\*Oct. 7, 1997**

[54] **TRAY FOR A PET CAGE**

[75] Inventors: **E. Michael Powers**, Neenah, Wis.;  
**Myron Goertzen**, Brooklyn Park,  
Minn.

[73] Assignee: **Kennel-Aire, Inc.**, St. Louis Park,  
Minn.

[\*\*] Term: **14 Years**

[21] Appl. No.: **53,743**

[22] Filed: **Apr. 29, 1996**

[51] LOC (6) Cl. .... **30-02**

[52] U.S. Cl. .... **D30/119; D7/550**

[58] Field of Search ..... 119/161, 165,  
119/168, 484-485, 482, 496-498, 500,  
170, 417-419; D30/108-109, 161, 118-119,  
133; D7/550, 543, 545

[56] **References Cited**

**U.S. PATENT DOCUMENTS**

D. 240,714	7/1976	White	.....	D7/550
D. 353,516	12/1994	Anderson	.....	D7/550
790,053	5/1905	Hendryx	.....	119/463

**FOREIGN PATENT DOCUMENTS**

122441	10/1919	United Kingdom	.....	D7/550
958300	5/1964	United Kingdom	.....	119/463

**OTHER PUBLICATIONS**

Modern Plastics; p. 35; Tray (bottom right corner) by Auburn Button Wks. Inc; Jan. 1936.  
Restaurant Equipment Dealer; p. 36; Cafeteria Tray by Masters and Andren, Ltd., Sep. 1966.  
Cambro Manufacturing Company; Food Tray; 1959.

*Primary Examiner*—Cathy Anne MacCormac  
*Attorney, Agent, or Firm*—Fredrikson & Byron, P.A.

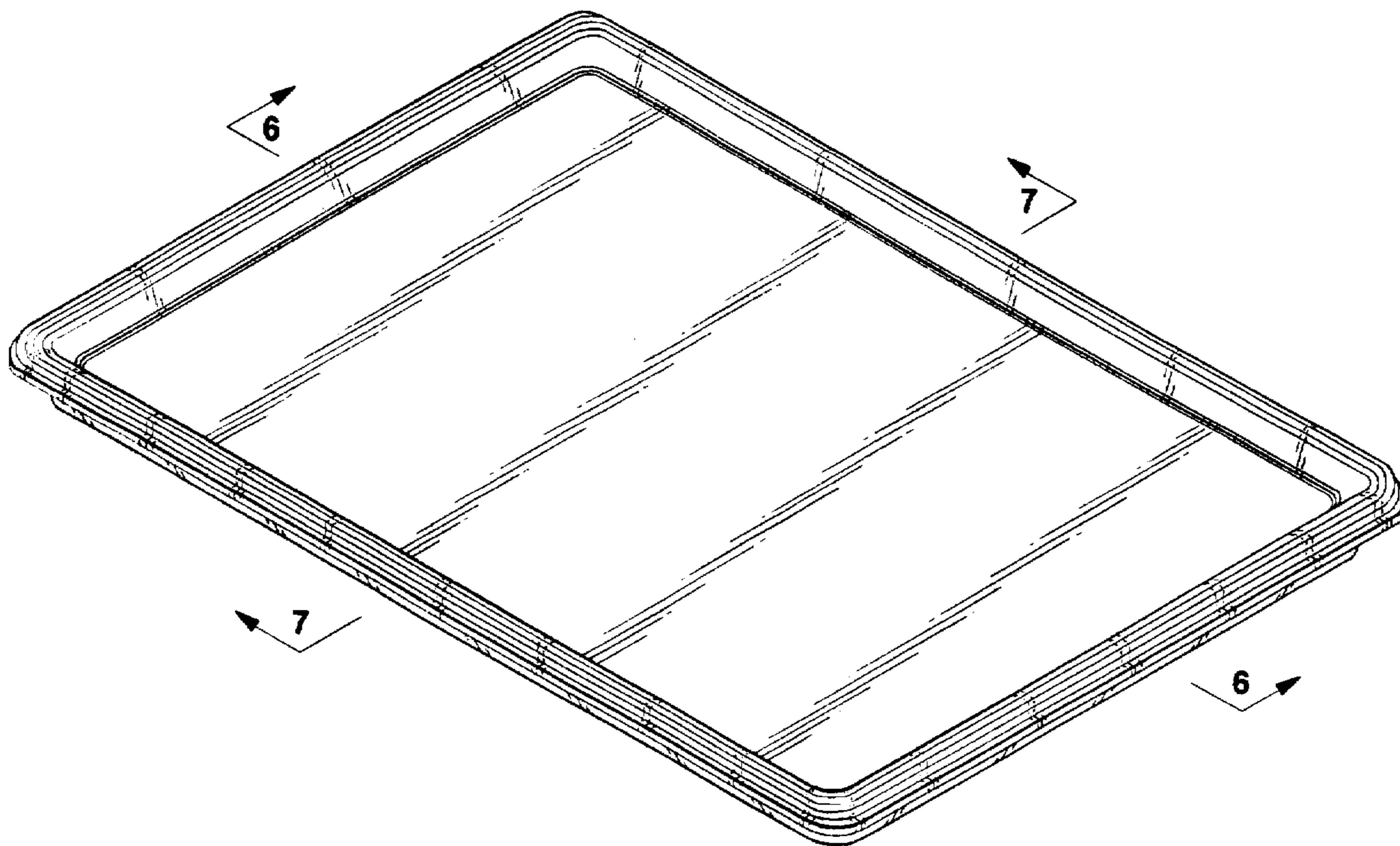
[57] **CLAIM**

The ornamental design for a tray for a pet cage, as shown.

**DESCRIPTION**

FIG. 1 is a perspective view of the invention;  
FIG. 2 is a top plan view thereof;  
FIG. 3 is a bottom plan view thereof;  
FIG. 4 is a front and back elevational view thereof;  
FIG. 5 is a left side and right side elevational view thereof;  
FIG. 6 is a sectional view taken along line 6-6; and,  
FIG. 7 is a sectional view taken along line 7-7.

**1 Claim, 5 Drawing Sheets**



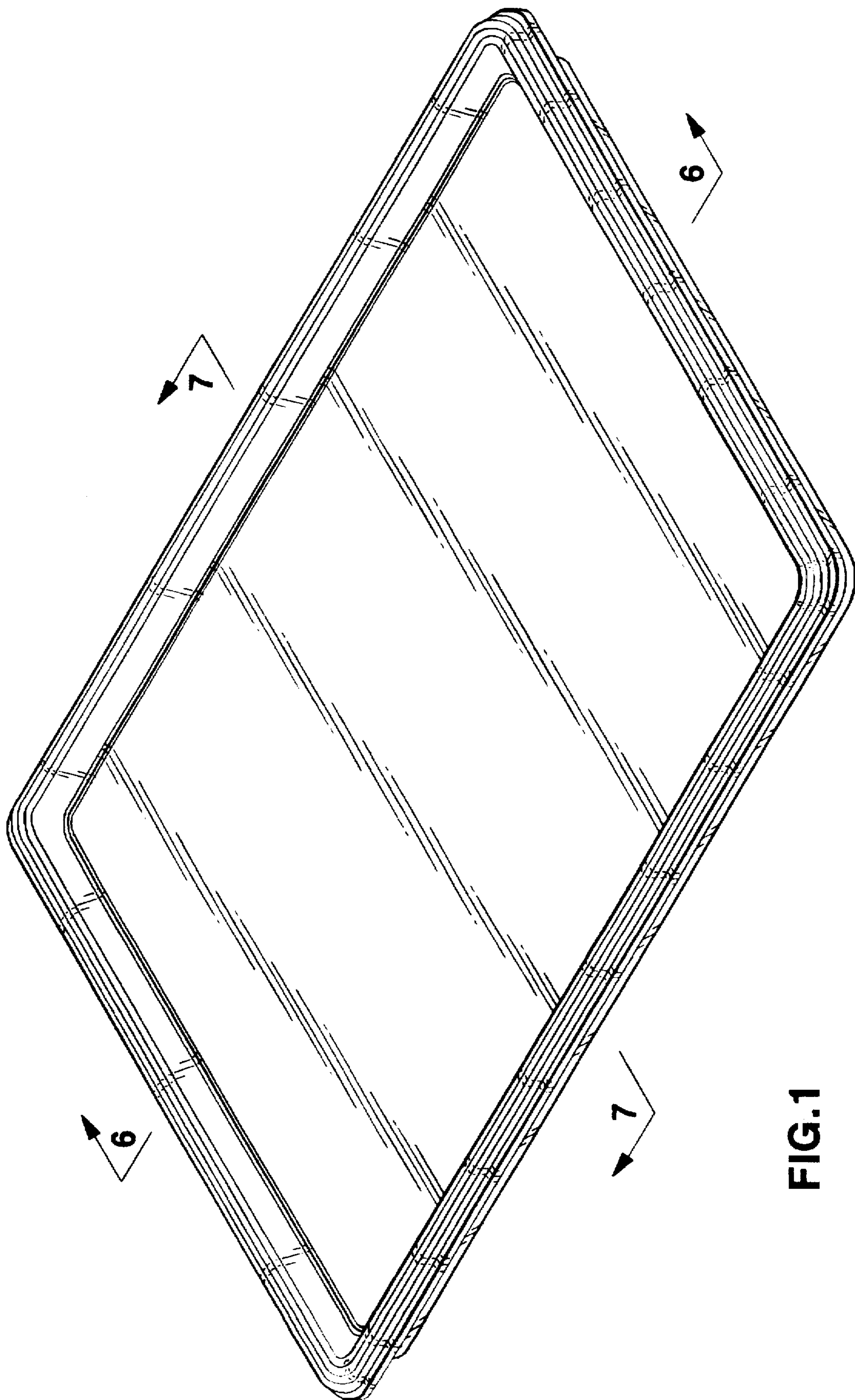


FIG.1

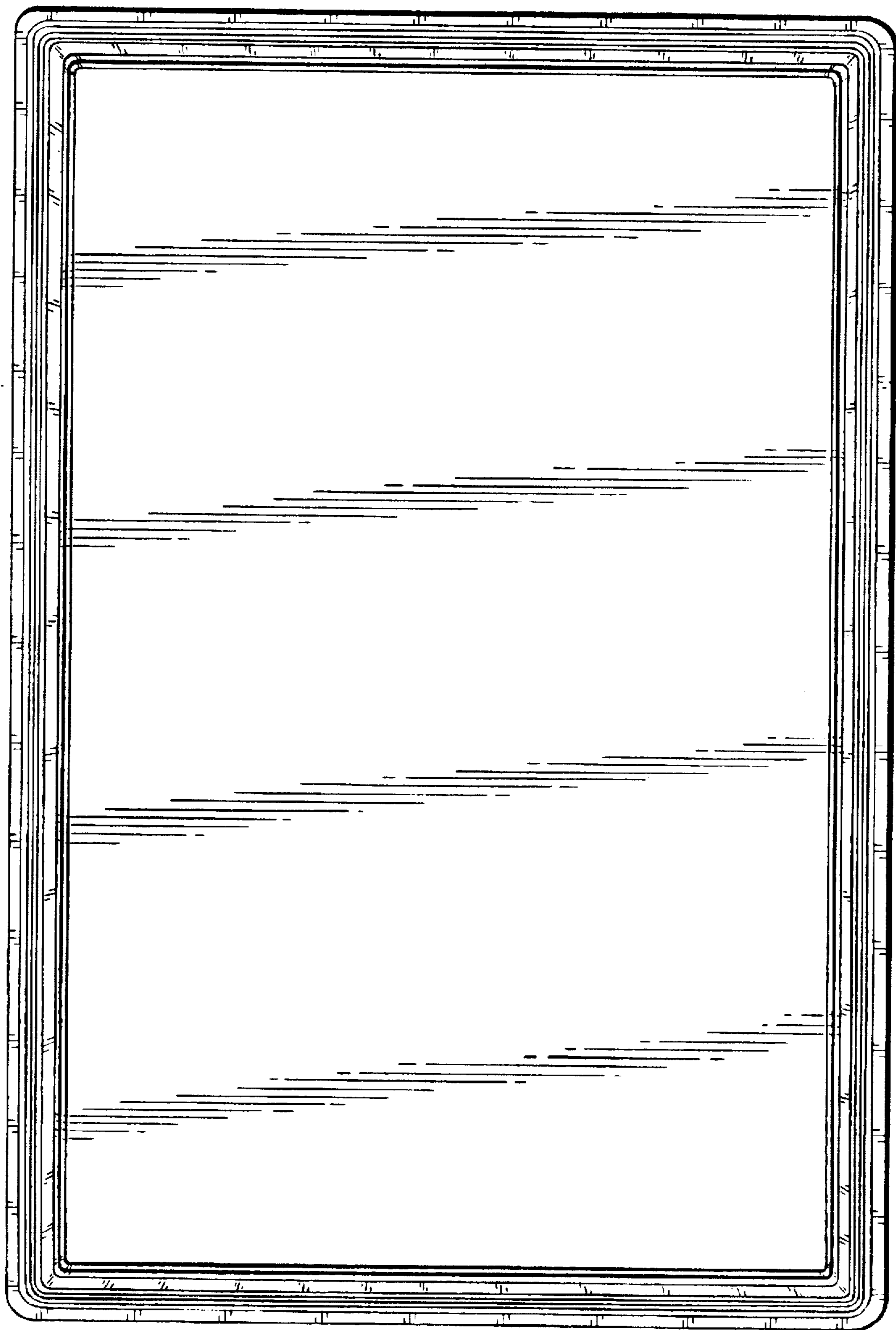


FIG.2

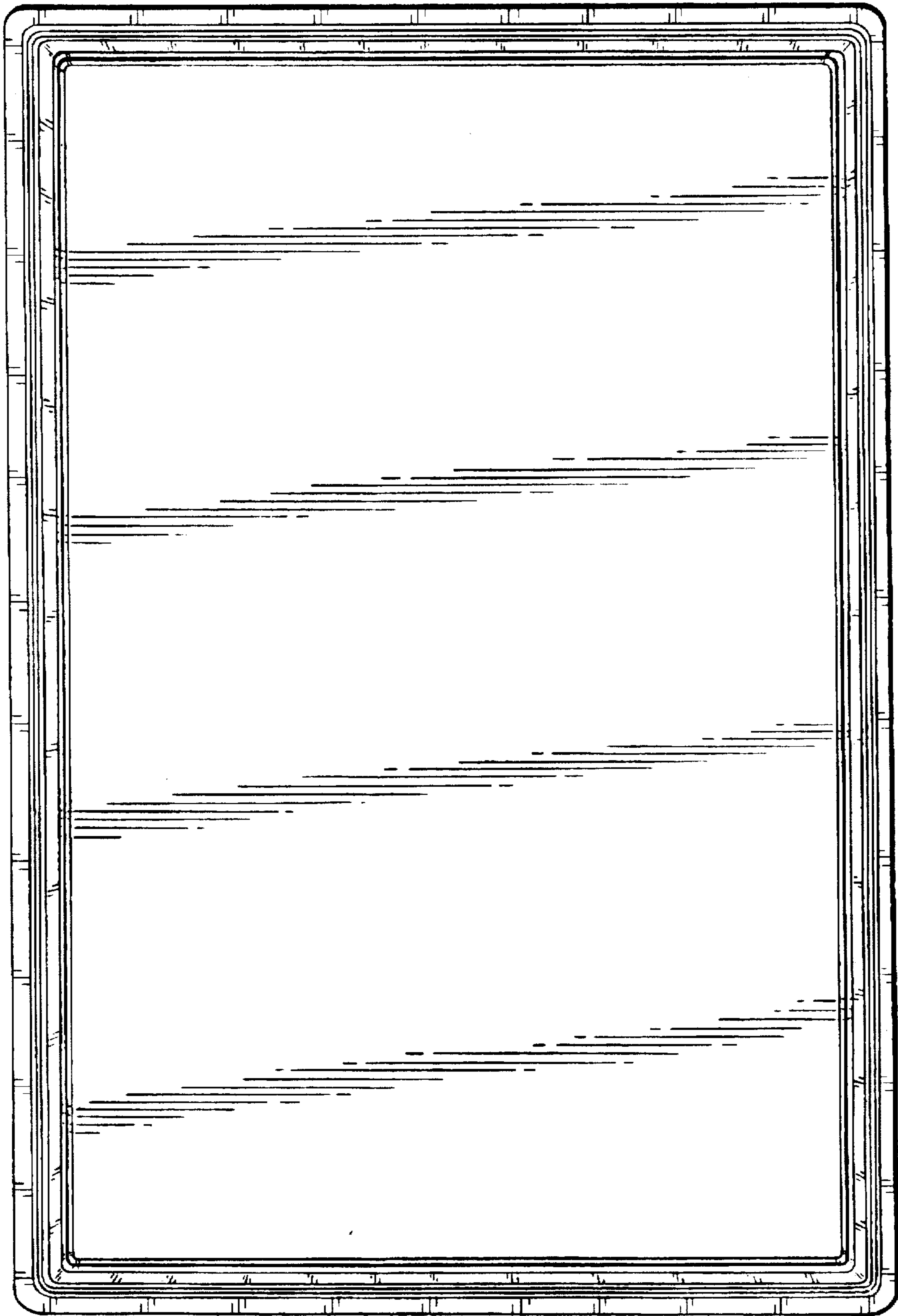
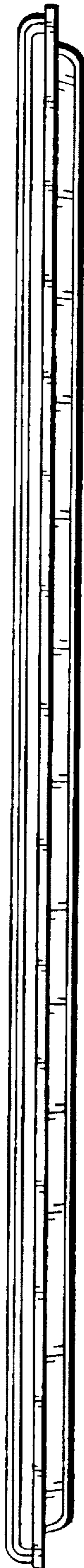


FIG.3



**FIG. 4**



**FIG. 5**



FIG. 6

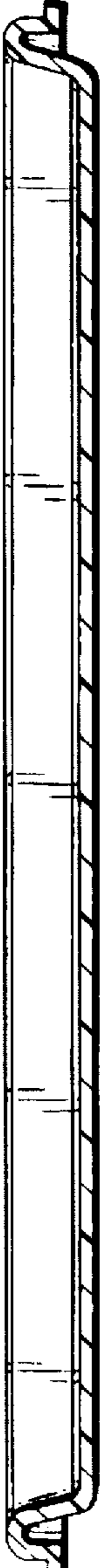


FIG. 7