



US00D384776S

# United States Patent [19]

Webster

[11] Patent Number: **Des. 384,776**

[45] Date of Patent: **\*\*Oct. 7, 1997**

- [54] **STRAP FOR RETAINING BALL IN BASEBALL GLOVE**
- [76] Inventor: **Richard J. Webster**, 2123 Lido Cir., Stockton, Calif. 95207
- [\*\*] Term: **14 Years**
- [21] Appl. No.: **51,268**
- [22] Filed: **Mar. 7, 1996**
- [51] LOC (6) Cl. .... **29-02**
- [52] U.S. Cl. .... **D29/123; D29/100**
- [58] Field of Search ..... D24/190; D29/100, D29/101, 122; 128/876, 873, 869; 2/2

2,827,896	3/1958	Ward	.....	D24/191
5,328,205	7/1994	Bacharach	.....	D29/100
5,417,647	5/1995	Doun	.....	D29/100

Primary Examiner—Ruth McInroy

### [57] CLAIM

The ornamental design for a strap for retaining ball in baseball glove, as shown and described.

### DESCRIPTION

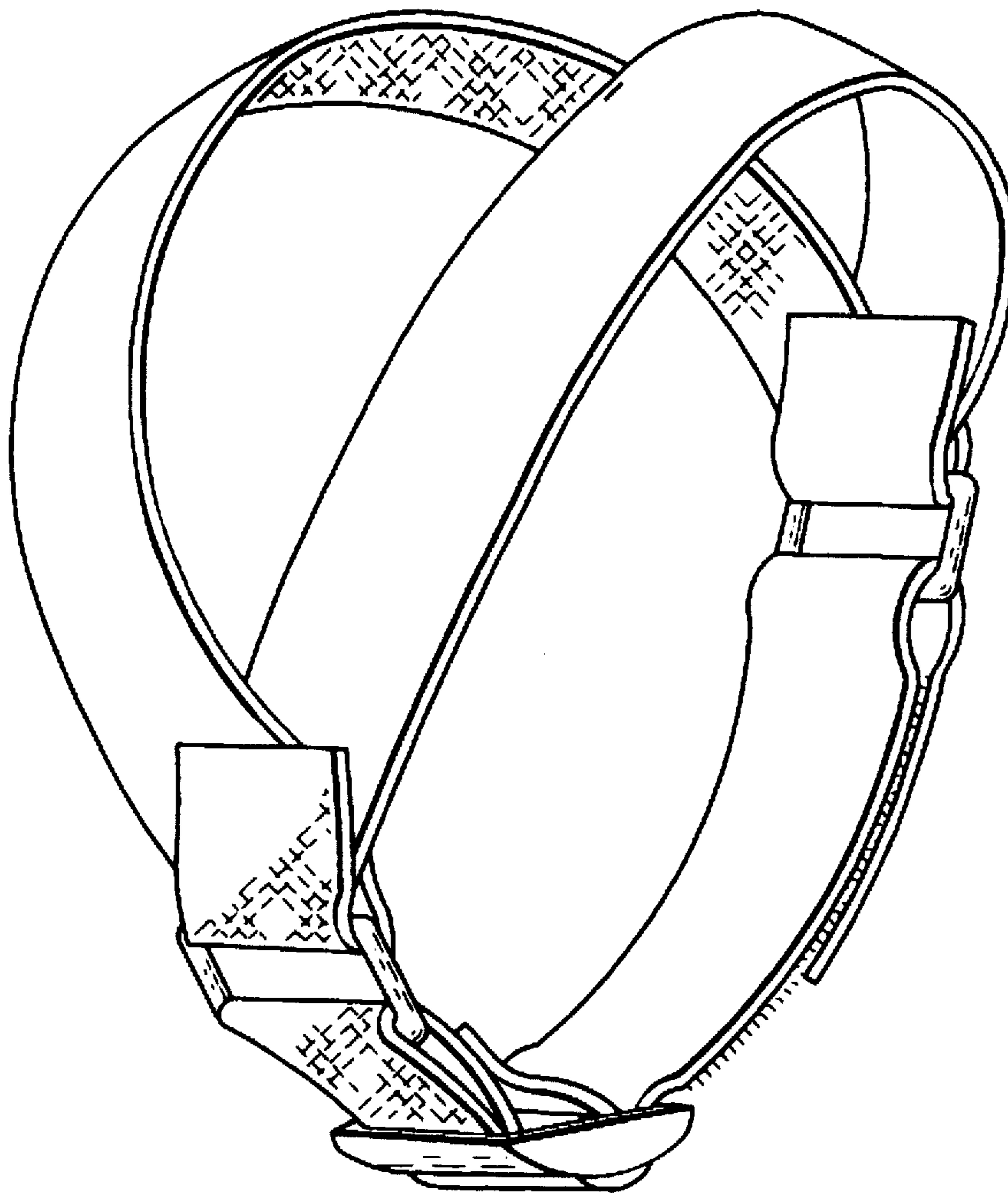
FIG. 1 is a front perspective view of a strap for retaining ball in baseball glove showing my new design;  
 FIG. 2 is a rear elevational view thereof, the broken lines illustrating a baseball glove area for illustrative purposes and form no part of the claimed design;  
 FIG. 3 is a left side elevational view, the right side being a mirror image thereof;  
 FIG. 4 is a top plan view; and,  
 FIG. 5 is a bottom plan view.

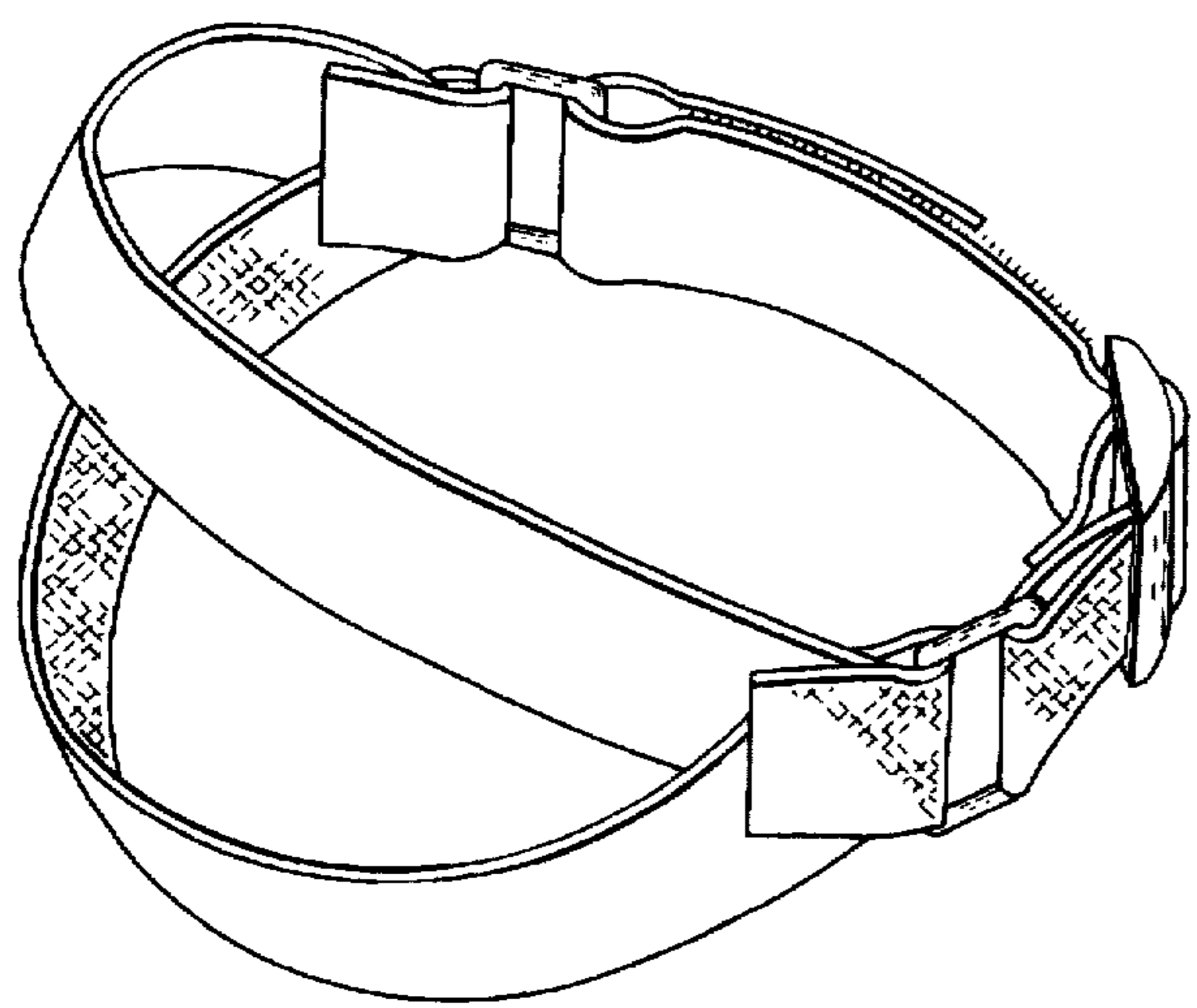
### [56] References Cited

#### U.S. PATENT DOCUMENTS

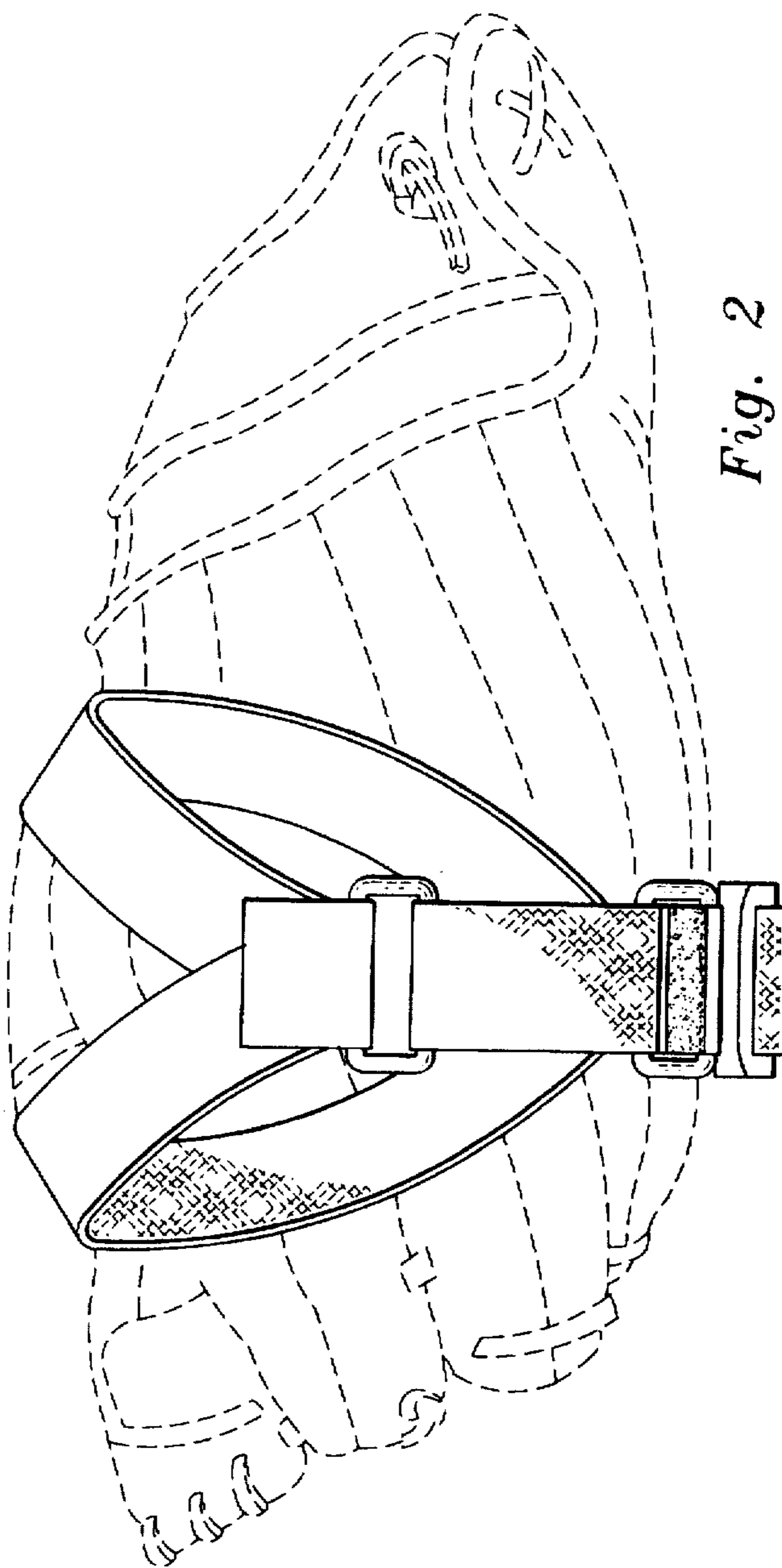
D. 289,810	5/1987	Kotas	.....	D24/191
D. 365,397	12/1995	Seening et al.	.....	D24/190
D. 372,099	7/1996	Troy et al.	.....	D24/190

**1 Claim, 2 Drawing Sheets**

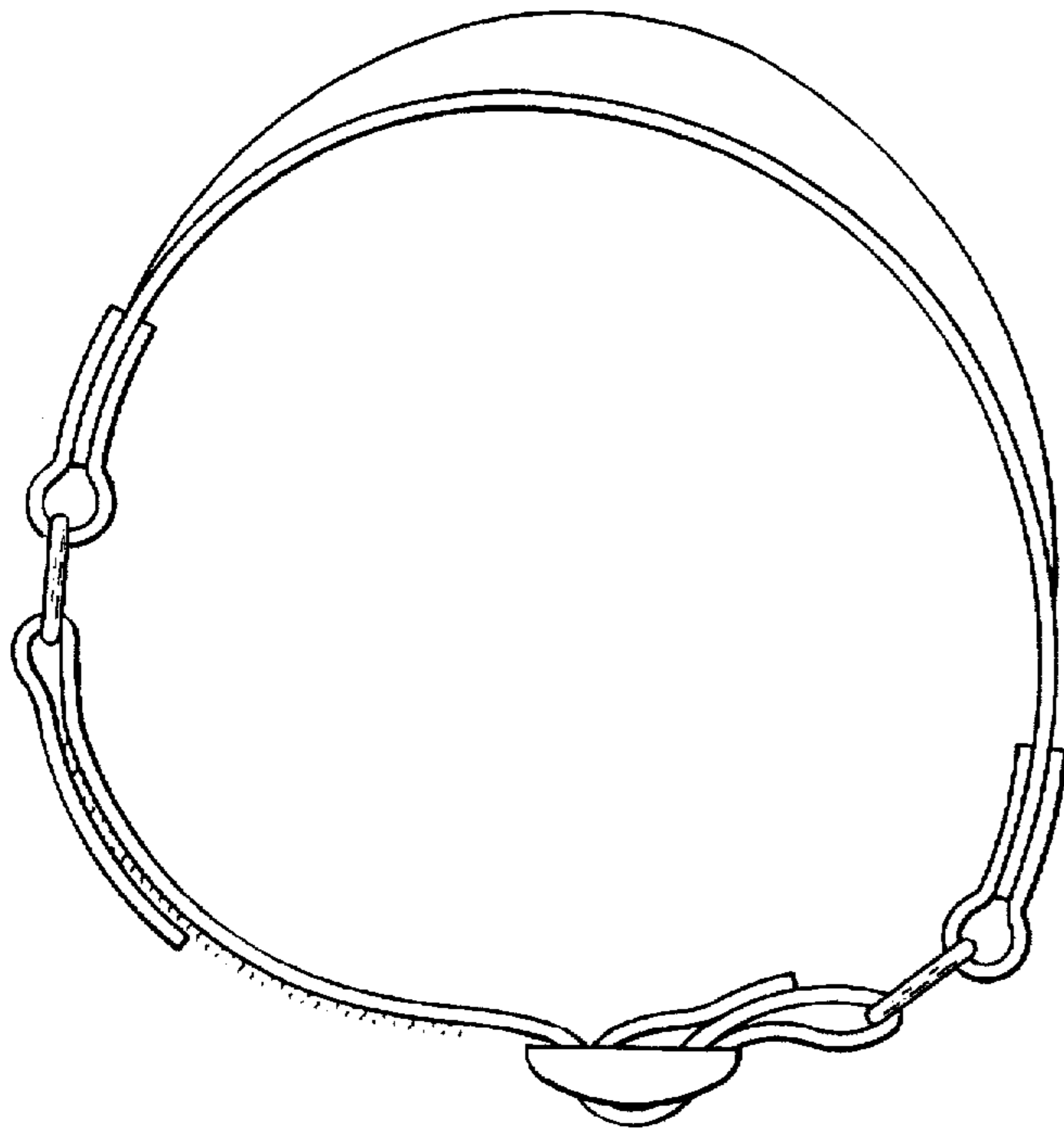




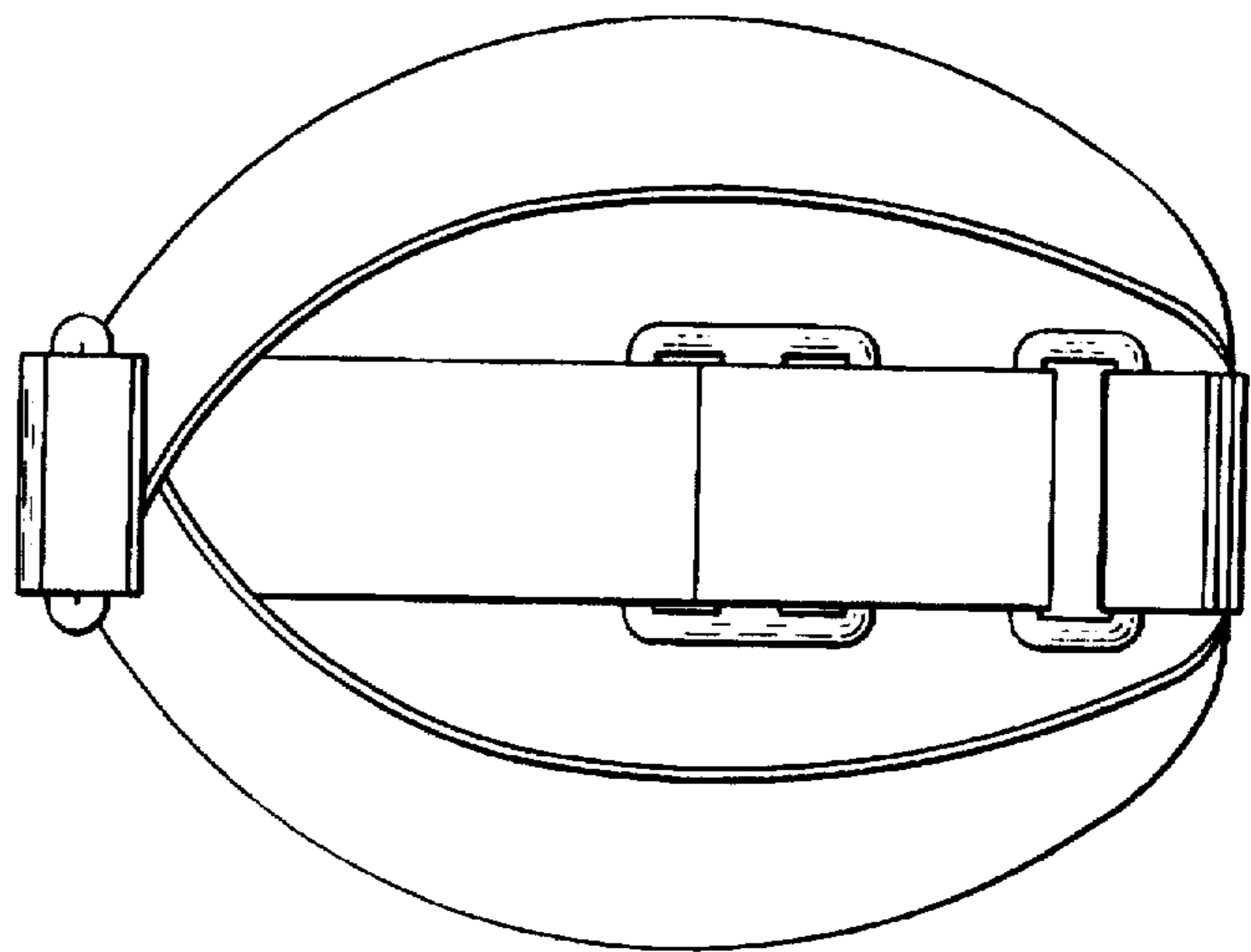
*Fig. 1*



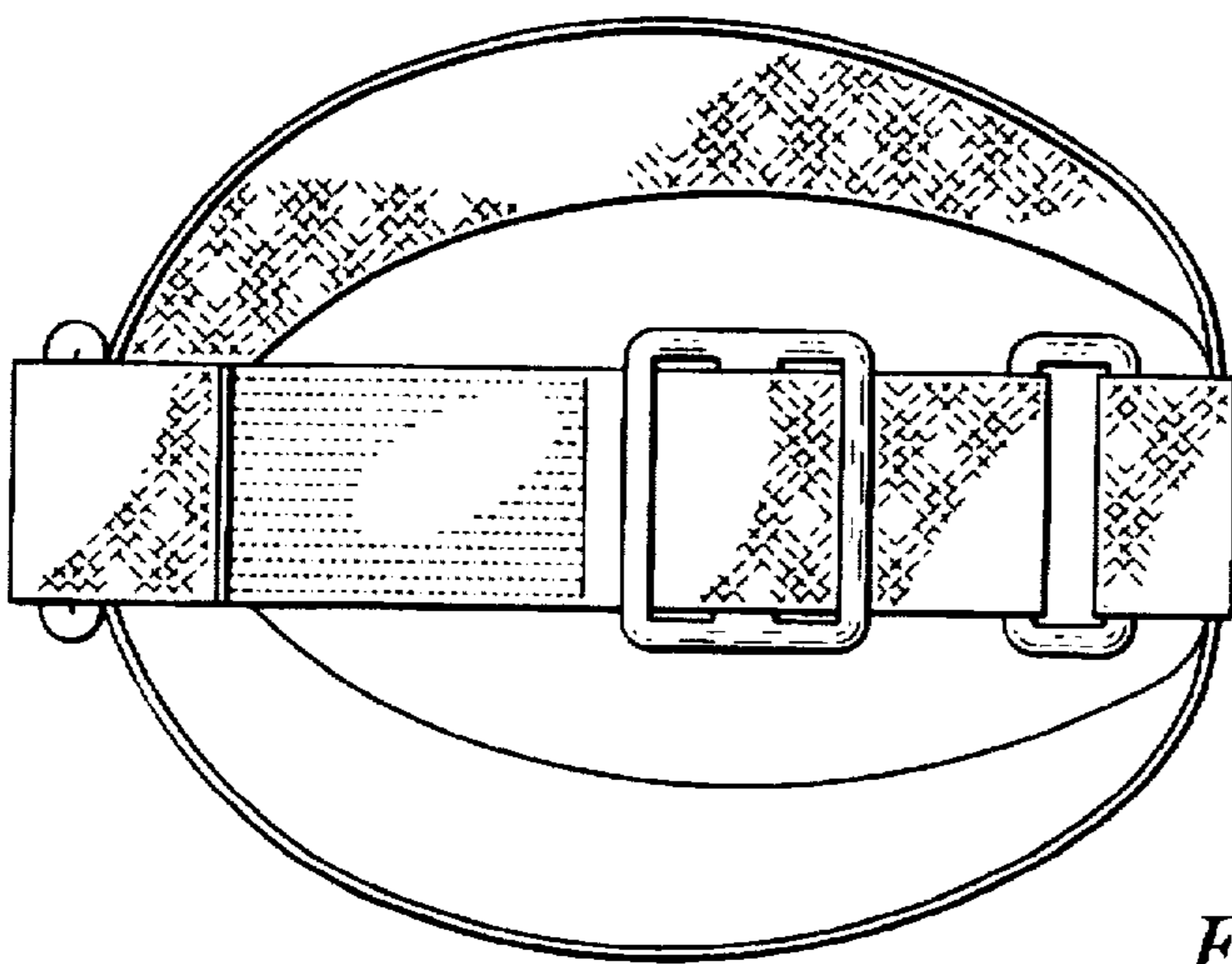
*Fig. 2*



*Fig. 3*



*Fig. 4*



*Fig. 5*