



US00D384774S

United States Patent [19] Tsujino

[11] Patent Number: **Des. 384,774**
[45] Date of Patent: ****Oct. 7, 1997**

- [54] **WRESTLING EAR GUARD**
- [75] Inventor: **Kanzo Tsujino, Orange, Calif.**
- [73] Assignee: **ASICS Corporation, Kobe, Japan**
- [**] Term: **14 Years**
- [21] Appl. No.: **58,963**
- [22] Filed: **Aug. 29, 1996**
- [51] LOC (6) Cl. **09-03**
- [52] U.S. Cl. **D29/106; D29/112**
- [58] Field of Search **D29/108, 112, D29/122, 102-106; 2/2, 425, 423, 209**

- 5,500,951 3/1996 Marchello 2/425
- 5,504,945 4/1996 Purnell 2/425

Primary Examiner—Ruth McInroy
Attorney, Agent, or Firm—Michael E. Zall

[57] CLAIM

The ornamental design for a wrestling ear guard, as shown and described.

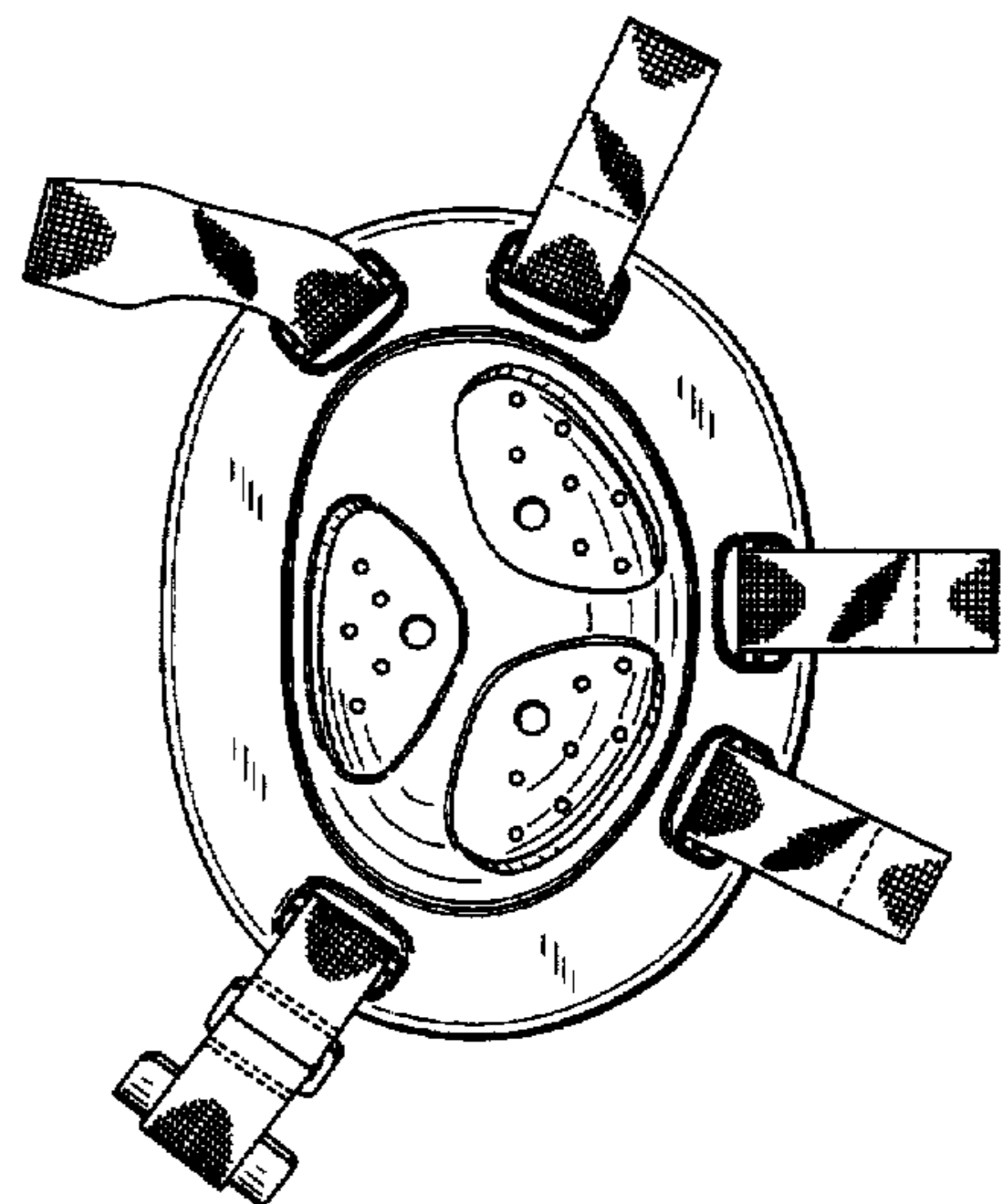
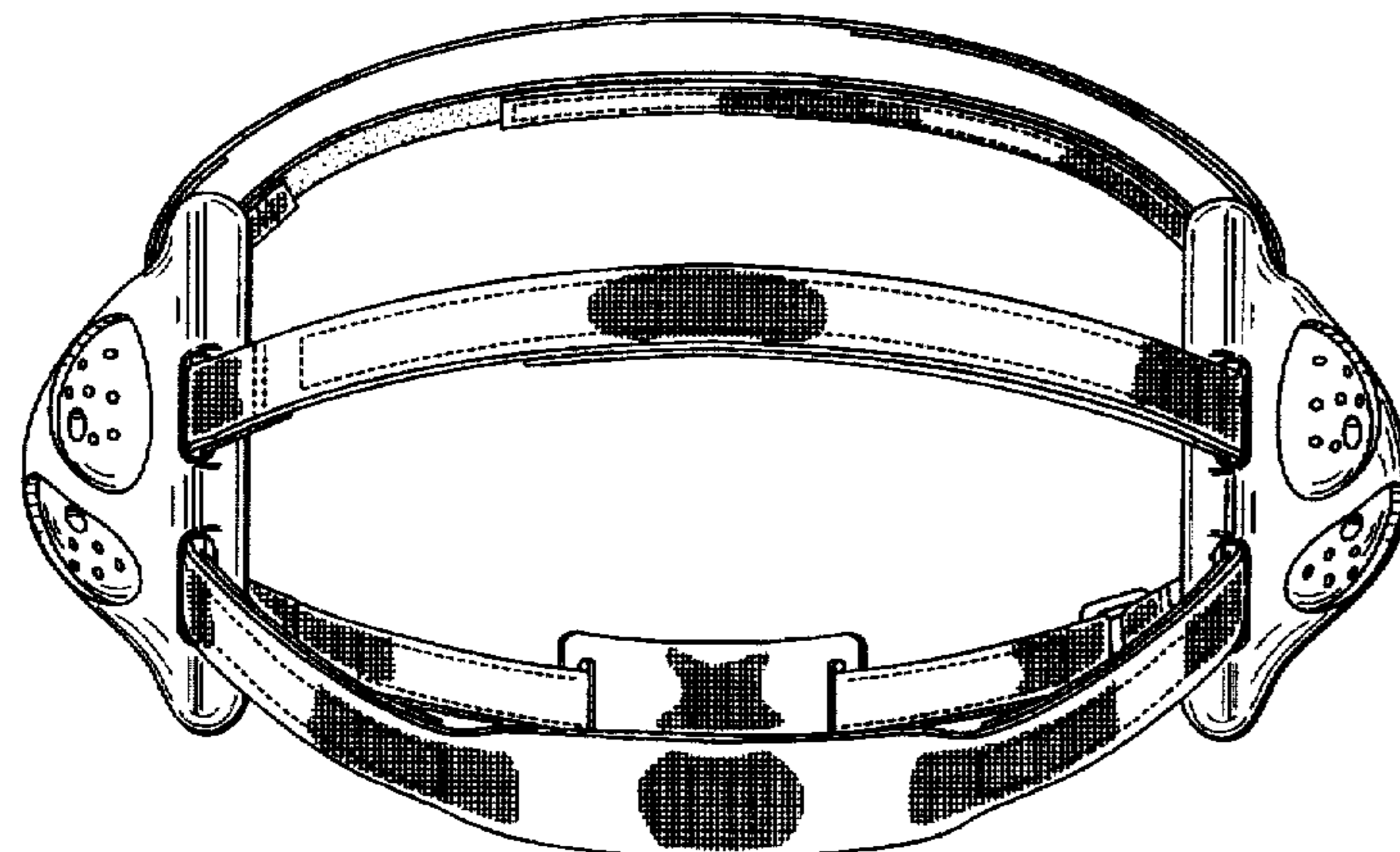
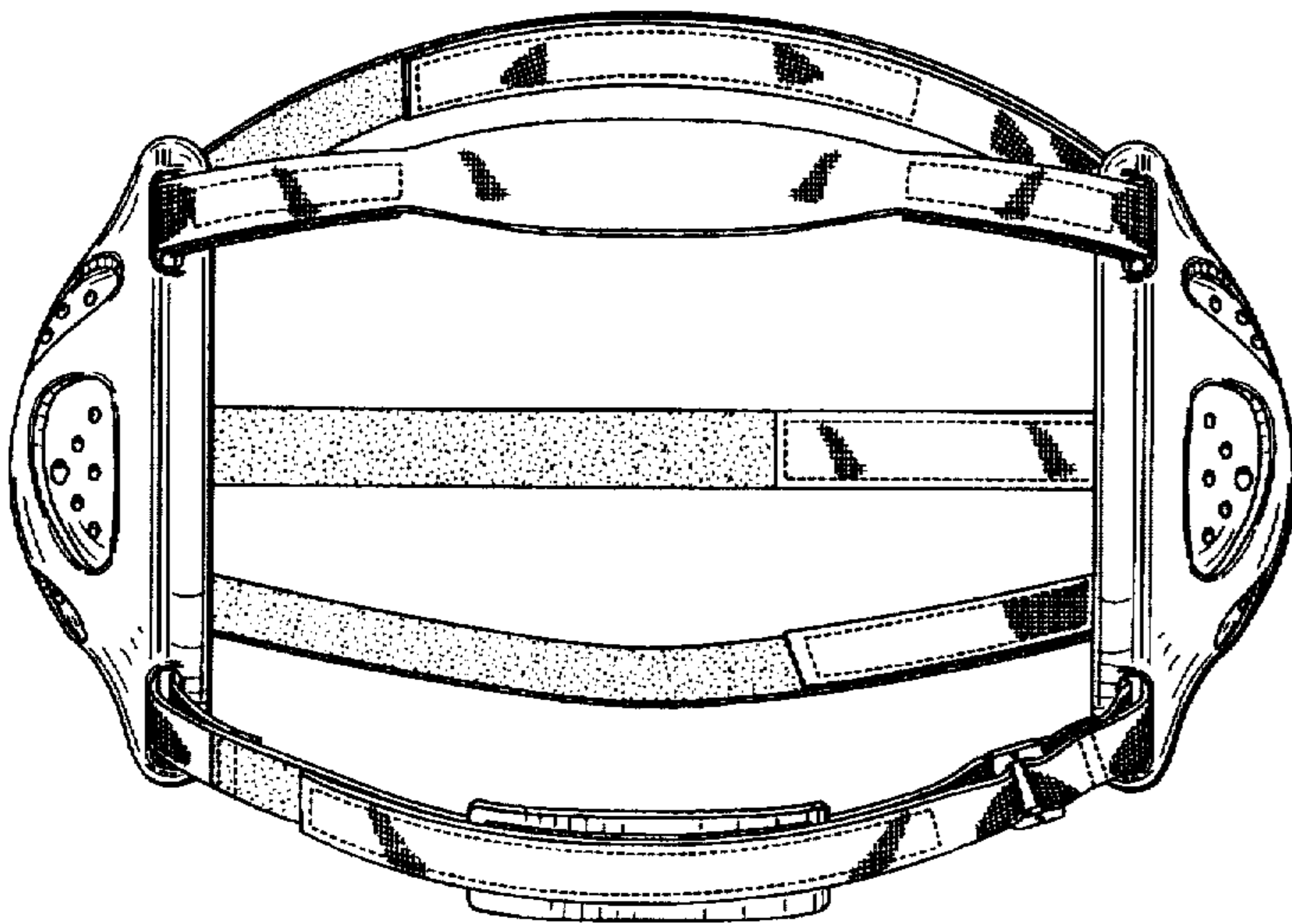
DESCRIPTION

FIG. 1 is a front elevational view of a wrestling ear guard showing our new design;
FIG. 2 is a rear elevational view thereof;
FIG. 3 is a top plan view thereof;
FIG. 4 is a bottom plan view thereof;
FIG. 5 is a ride side view thereof; and,
FIG. 6 is a left side view thereof.

The crosshatch shading shown in all views is understood to repeat throughout the indicated areas.

1 Claim, 6 Drawing Sheets

- [56] **References Cited**
- U.S. PATENT DOCUMENTS**
- 2,898,596 8/1959 Keen 2/425
- 3,327,316 6/1967 Pukish, Jr. D29/112
- 3,628,191 12/1971 Douglas D29/106
- 4,821,345 4/1989 Marchello 2/425



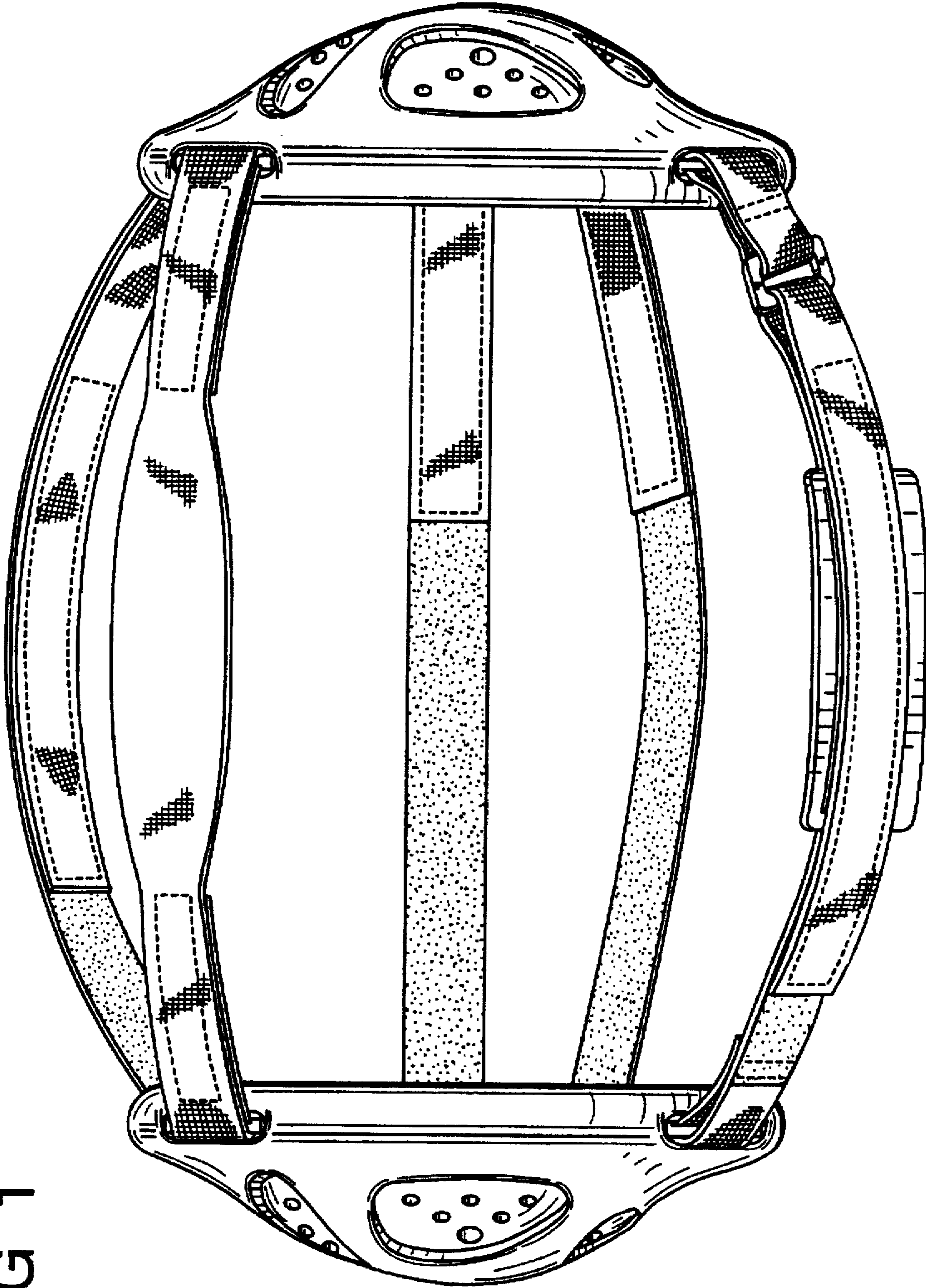


FIG 1

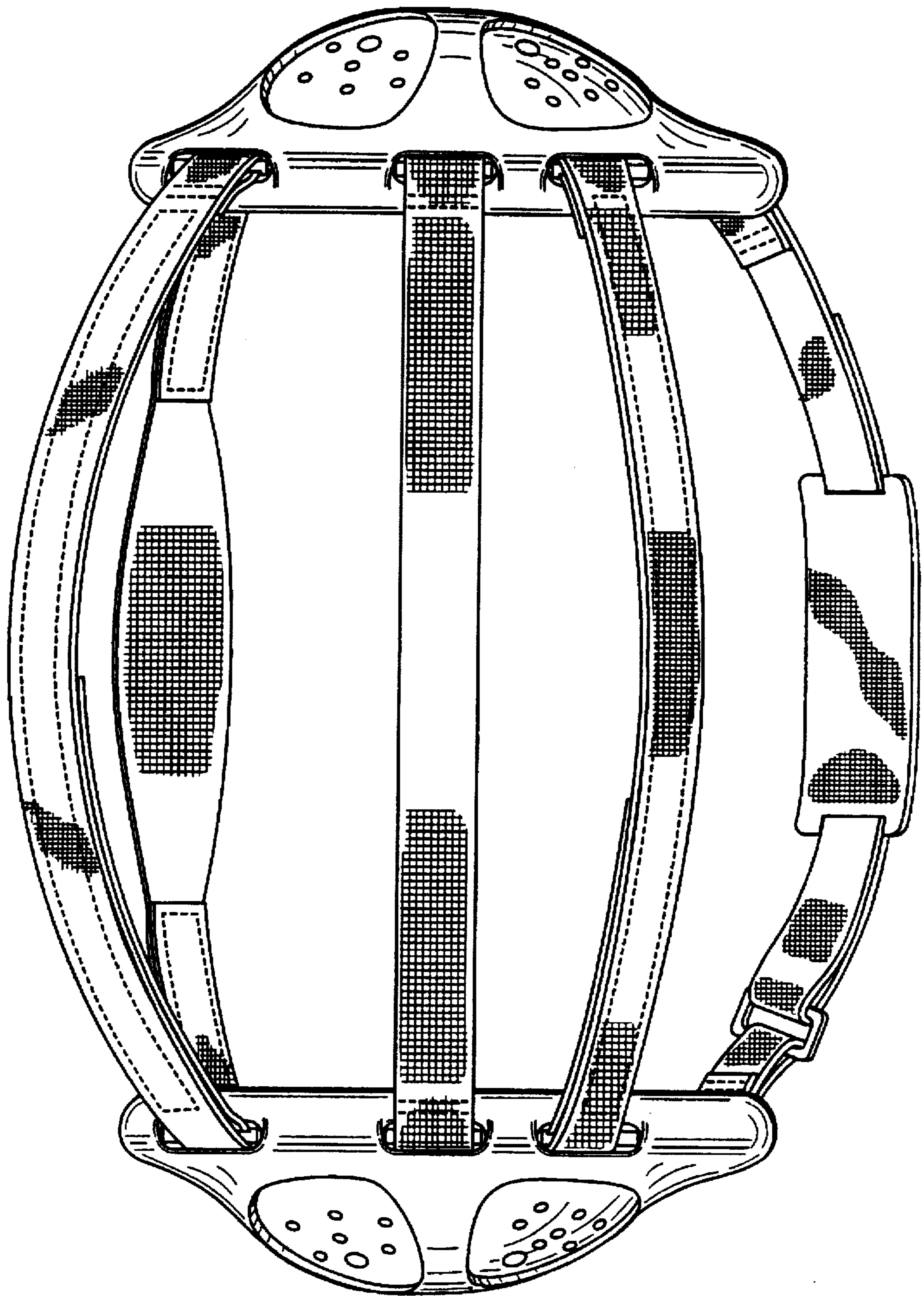


FIG. 2

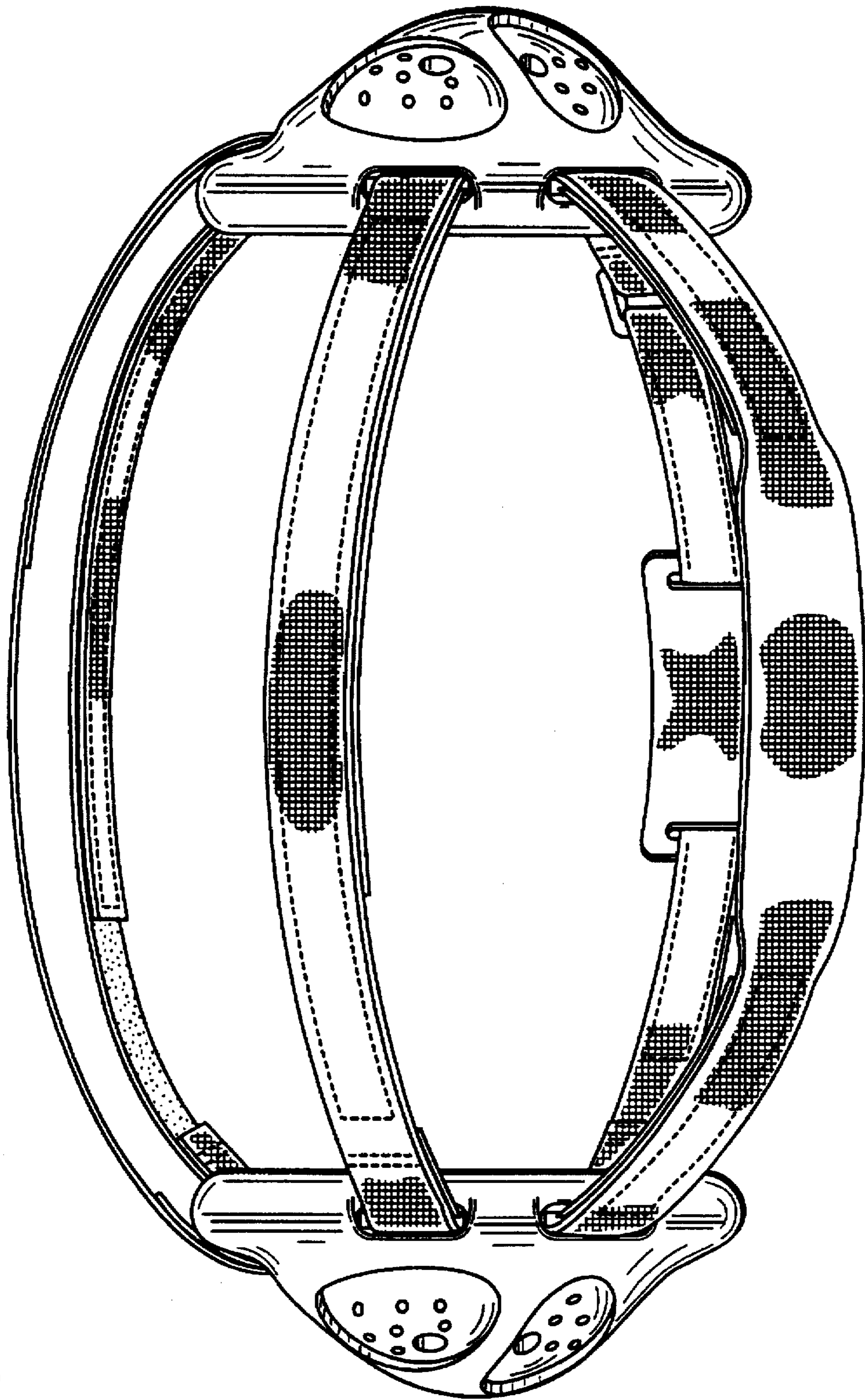


FIG. 3

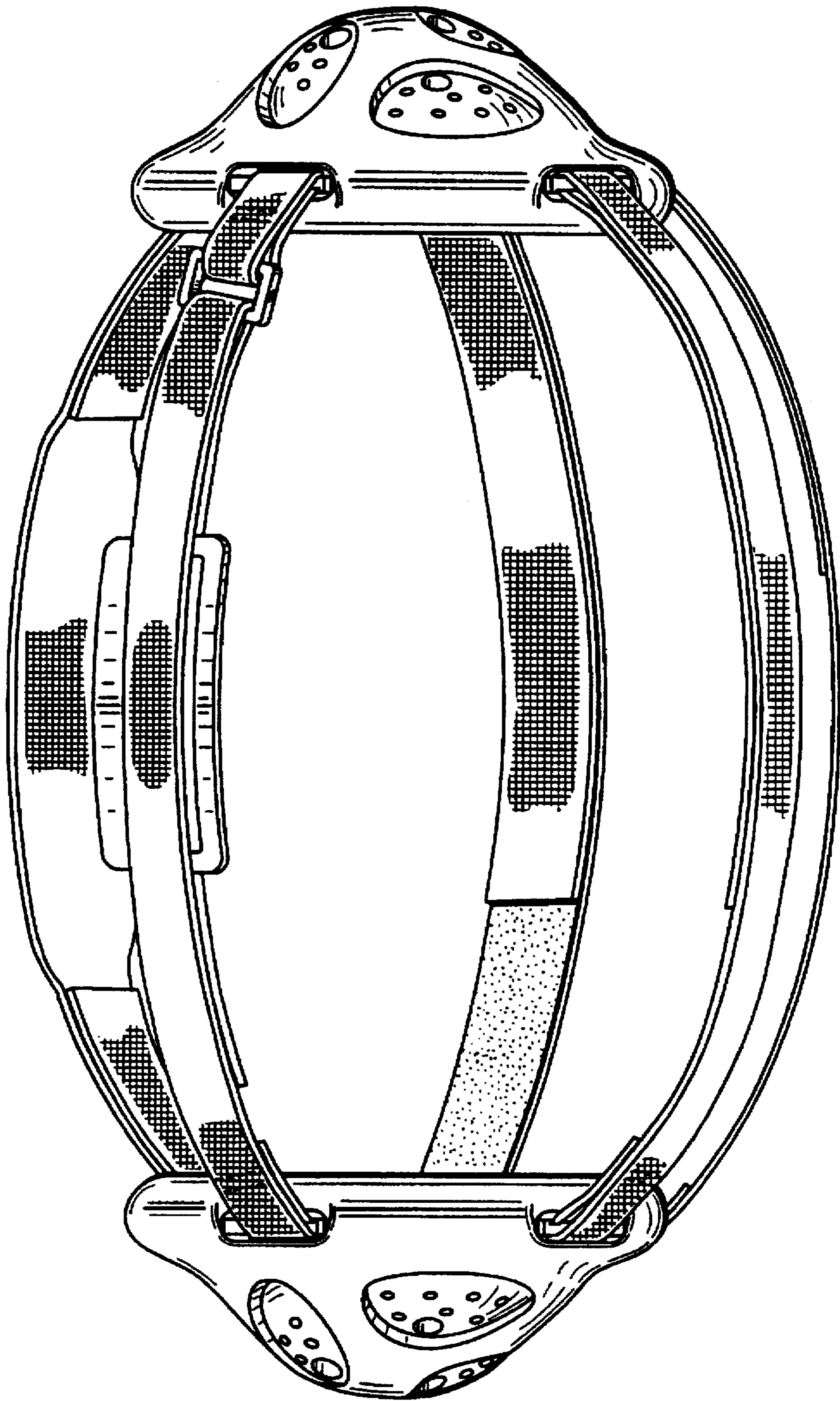


FIG. 4

FIG. 5

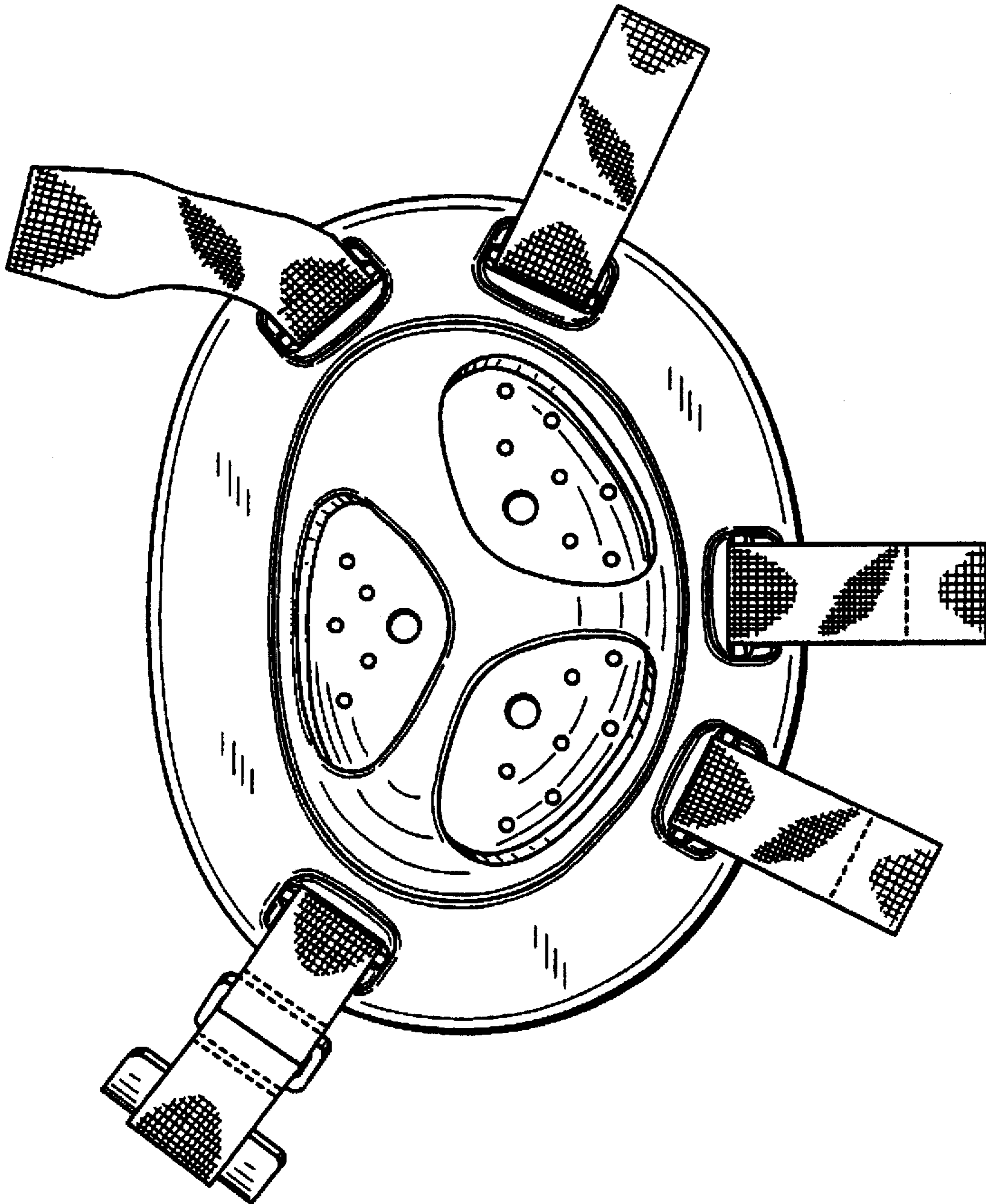


FIG. 6

