



US00D384773S

United States Patent [19] Dunn

[11] Patent Number: **Des. 384,773**
[45] Date of Patent: ****Oct. 7, 1997**

[54] **NAIL CLIPPER**
[75] Inventor: **Steven Bryan Dunn**, Beverly Hills, Calif.
[73] Assignee: **Munchkin, Inc.**, Van Nuys, Calif.
[**] Term: **14 Years**

4,788,768 12/1988 Ohori 132/73.5 X
5,384,960 1/1995 Tottenham 30/28
5,490,327 2/1996 Ohori 30/75.5 X

Primary Examiner—Catherine Tuttle
Attorney, Agent, or Firm—Woodcock Washburn Kurtz Mackiewicz & Norris

[21] Appl. No.: **55,974**
[22] Filed: **Jun. 19, 1996**

[57] **CLAIM**
The ornamental design for a nail clipper, as shown and described.

[51] **LOC (6) Cl.** **28-03**
[52] **U.S. Cl.** **D28/60**
[58] **Field of Search** D28/44, 52, 60;
132/73, 73.5, 75.4, 74.5; 30/26-28, 123

DESCRIPTION

FIG. 1 is a perspective view of a nail clipper showing my new design;
FIG. 2 is a right side elevational view;
FIG. 3 is a left side elevational view;
FIG. 4 is a top plan view;
FIG. 5 is a bottom plan view thereof;
FIG. 6 is a front elevational view; and,
FIG. 7 is a rear elevational view.

[56] **References Cited**
U.S. PATENT DOCUMENTS
3,986,257 10/1976 Kiura 132/73 X
3,997,966 12/1976 Sartore 30/28
4,196,514 4/1980 Merriman 30/28

1 Claim, 2 Drawing Sheets

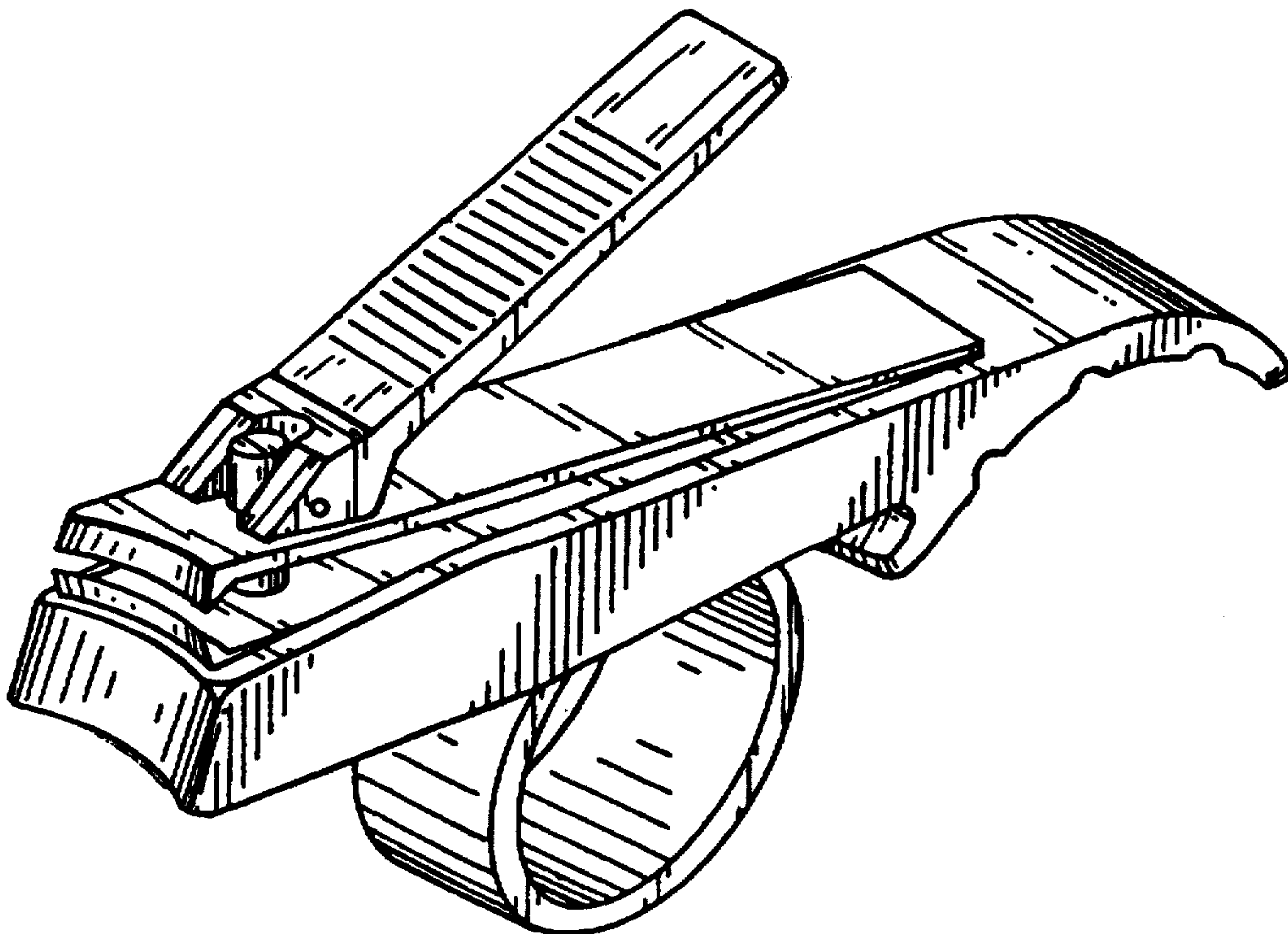


FIG. 1

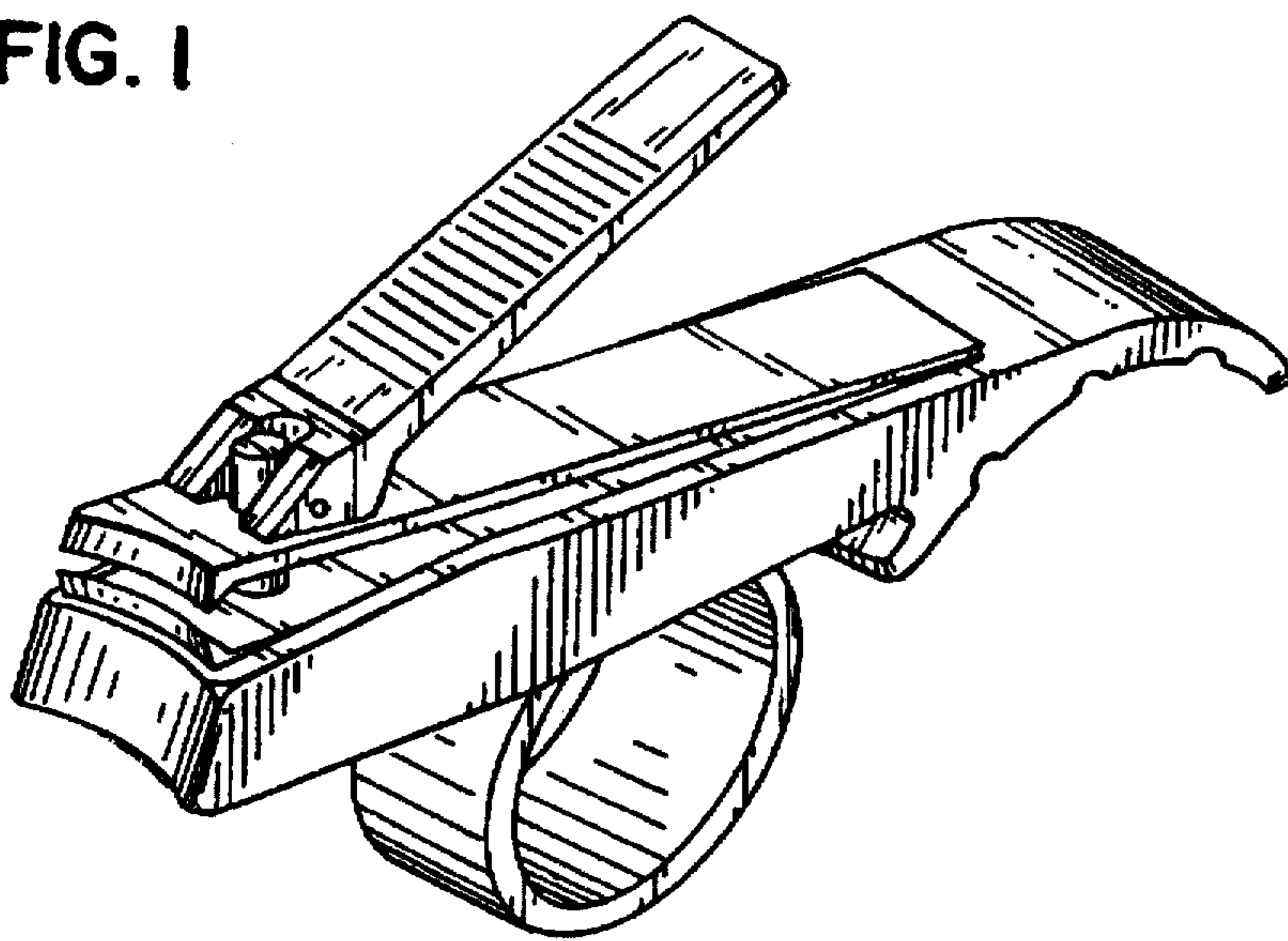


FIG. 2

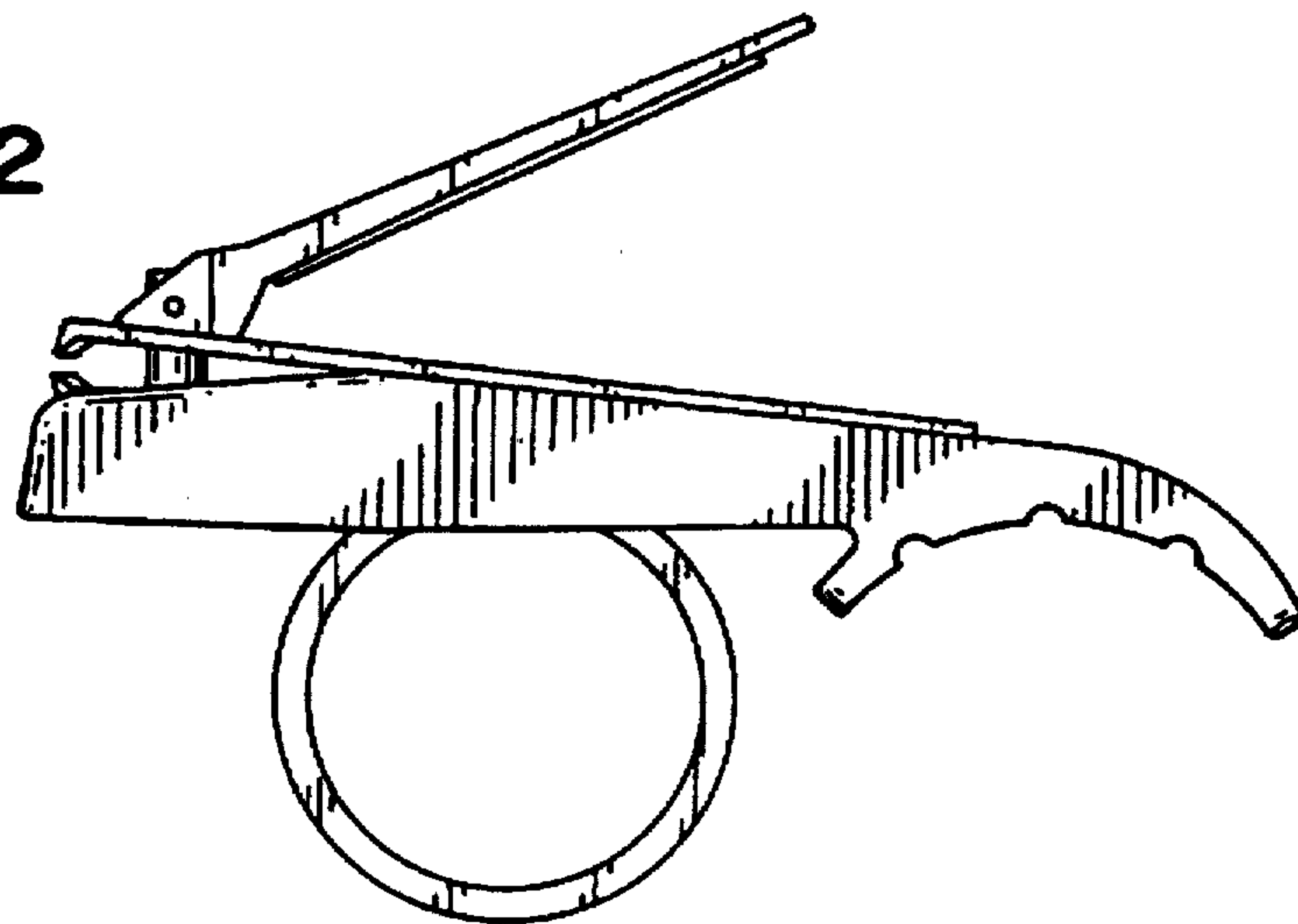


FIG. 3

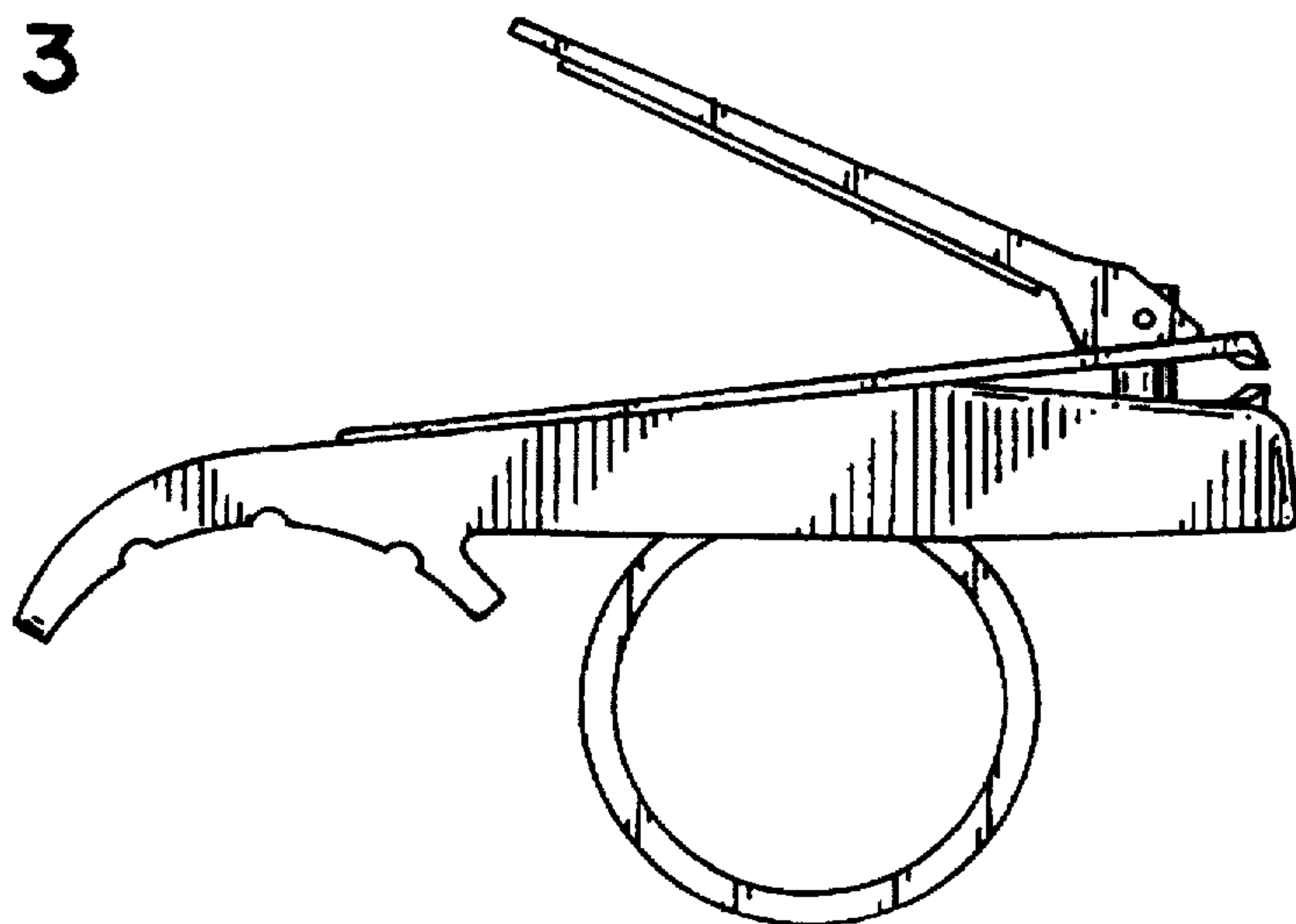


FIG. 4

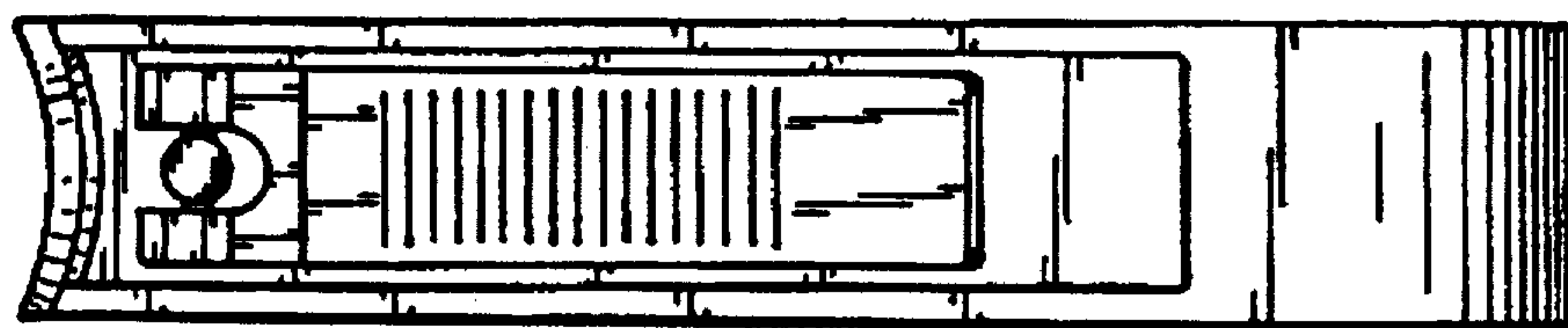


FIG. 5

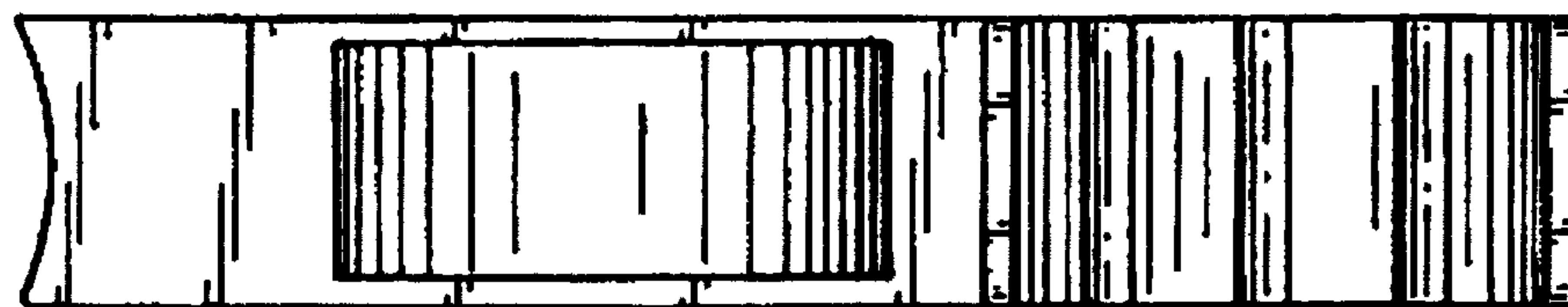


FIG. 6

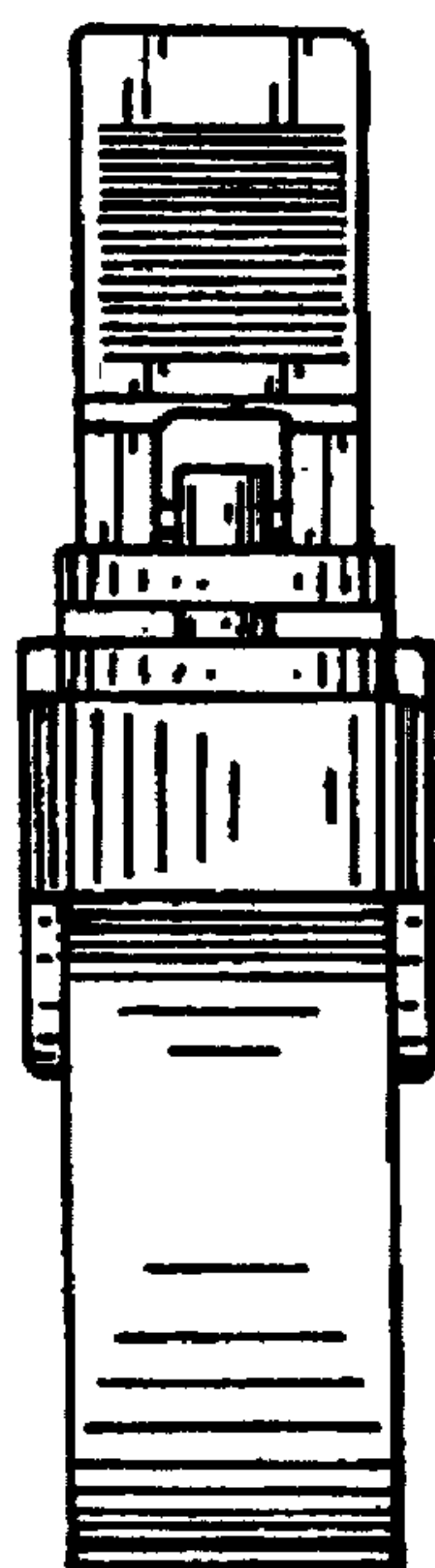


FIG. 7

