



US00D384772S

United States Patent [19] Kling

[11] Patent Number: **Des. 384,772**
[45] Date of Patent: ****Oct. 7, 1997**

[54] **HAIR DRYER ATTACHMENT**

[75] Inventor: **Björn Kling**, Frankfurt, Germany

[73] Assignee: **Braun Aktiengesellschaft**, Frankfurt, Germany

[**] Term: **14 Years**

[21] Appl. No.: **53,927**

[22] Filed: **May 2, 1996**

[30] **Foreign Application Priority Data**

Nov. 6, 1995 [WO] WIPO DM/035399

[51] LOC (6) Cl. **28-03**

[52] U.S. Cl. **D28/18**

[58] Field of Search D28/13-18; 132/212,
132/271, 272; 34/96-99; 392/383-385

[56] **References Cited**

U.S. PATENT DOCUMENTS

- D. 239,471 4/1976 Gonzales D28/18
- D. 265,597 7/1982 Forsberg D28/18
- D. 265,598 7/1982 Radatz D28/18
- D. 276,084 10/1984 Long D28/18
- 4,615,347 10/1986 Schooley 219/222 X
- 5,392,528 2/1995 McDougall 392/383 X

FOREIGN PATENT DOCUMENTS

- 284690 10/1988 European Pat. Off. 34/96

487932 6/1992 European Pat. Off. 392/385
43 21 573 A1 6/1993 Germany A45D 20/00

OTHER PUBLICATIONS

Hong Kong Enterprise Oct. 1993, p. 343 :New Air Diffuser at center right.

Primary Examiner—Catherine Tuttle
Attorney, Agent, or Firm—Edward S. Podszus

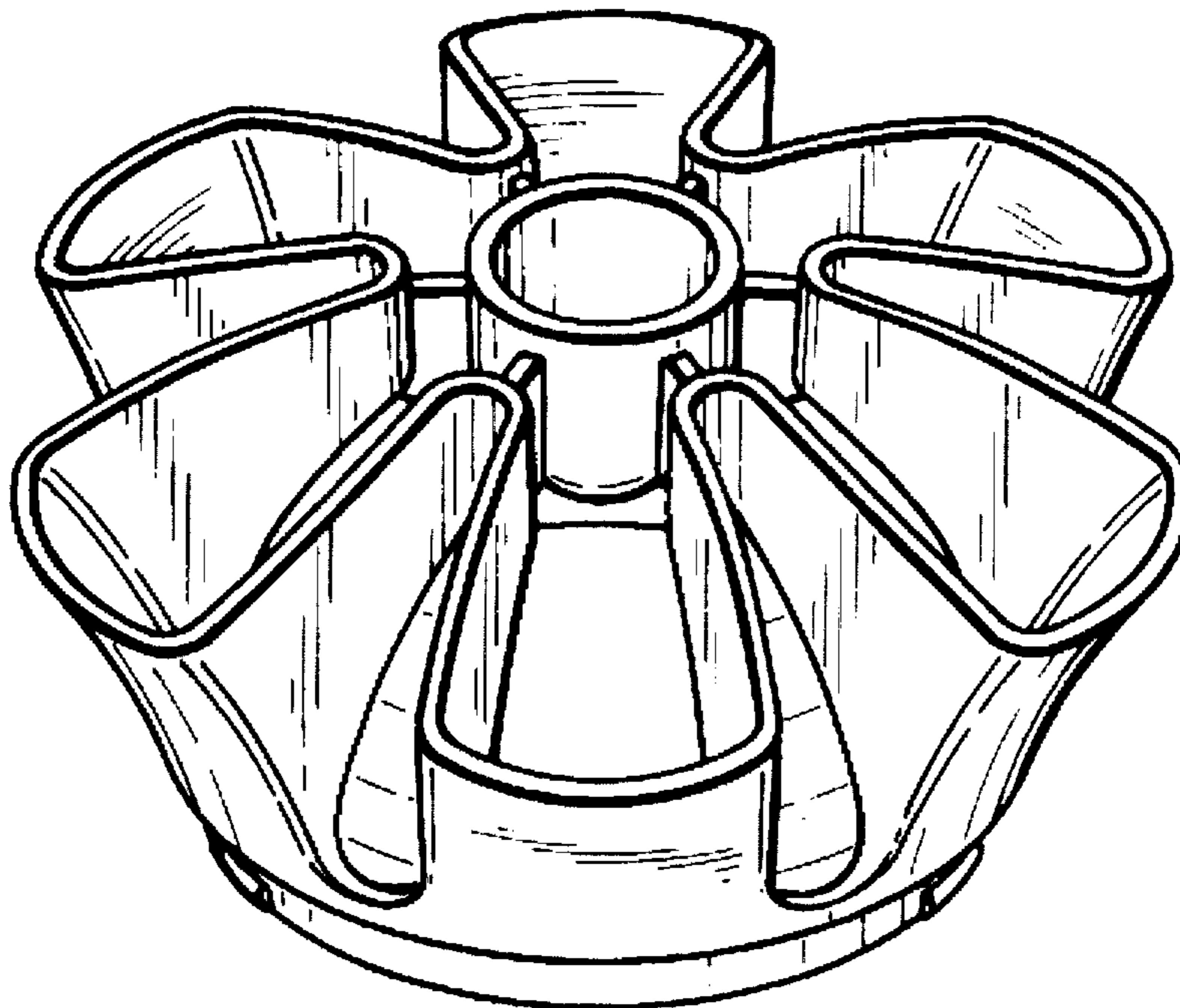
[57] **CLAIM**

The ornamental design for a hair dryer attachment, as shown and described.

DESCRIPTION

FIG. 1 is a top front perspective view of a hair dryer attachment, showing my design;
 FIG. 2 is a front view of the appliance of FIG. 1;
 FIG. 3 is a right-side view of the appliance of FIG. 2 shown in an upended position;
 FIG. 4 is a left-side view of the appliance of FIG. 7;
 FIG. 5 is a rear view of the appliance of FIG. 2 shown in an inverted position;
 FIG. 6 is a top plan view of the appliance of FIG. 2; and,
 FIG. 7 is a bottom plan view of the appliance of FIG. 2.
 The undisclosed portions of the inner surfaces follow the contours of the sides shown.

1 Claim, 2 Drawing Sheets



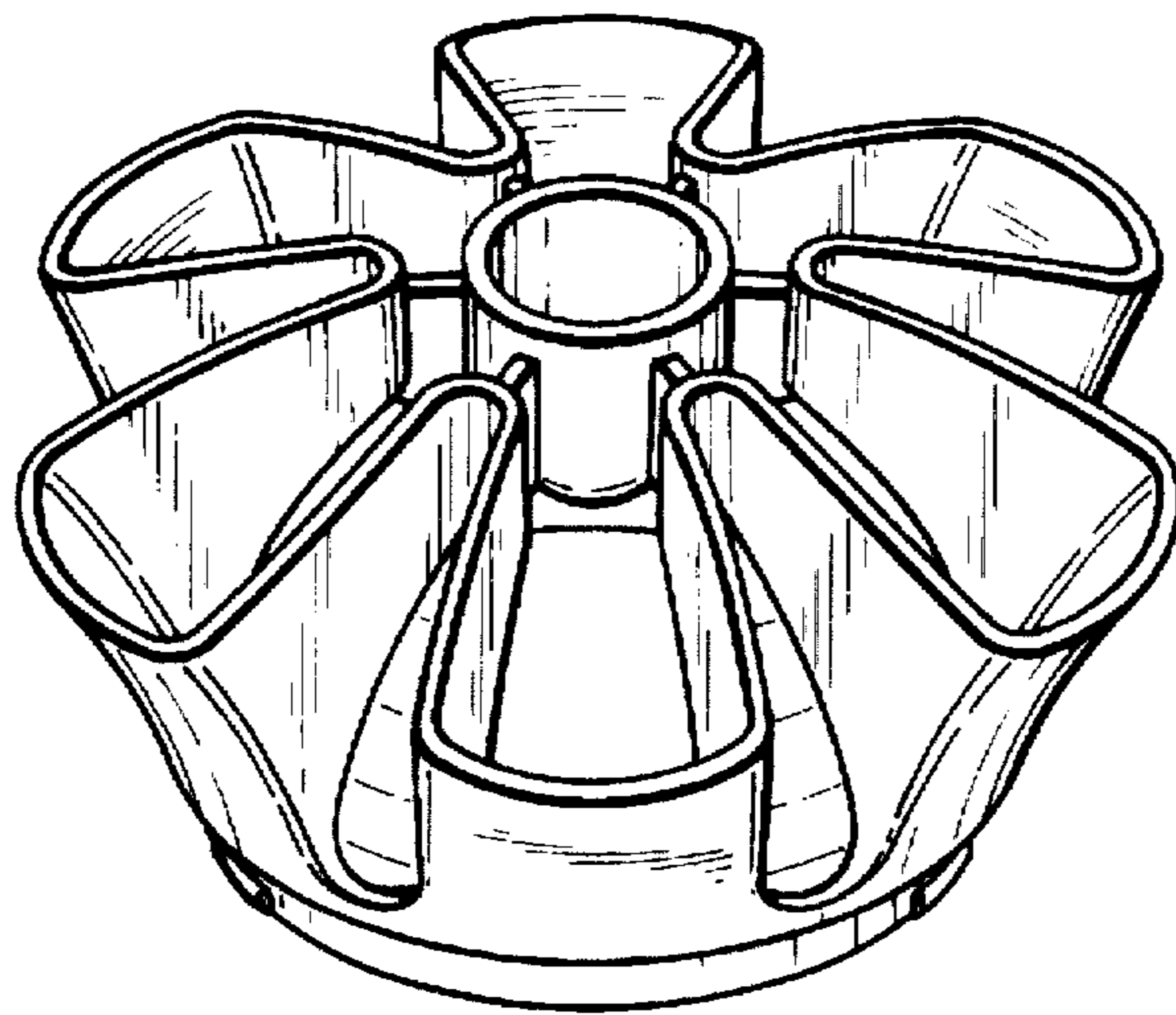


Fig. 1

Fig. 6

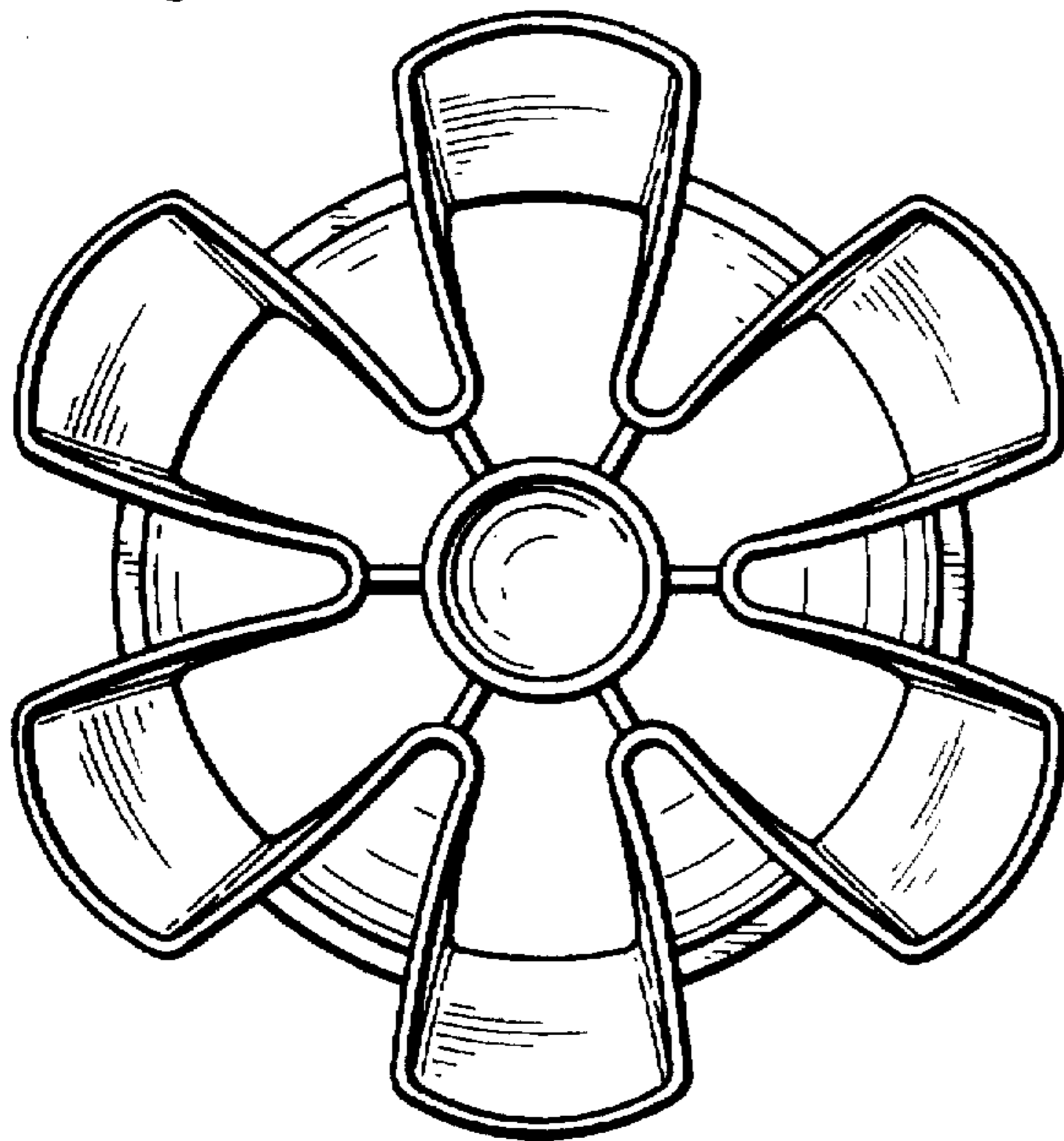


Fig. 3

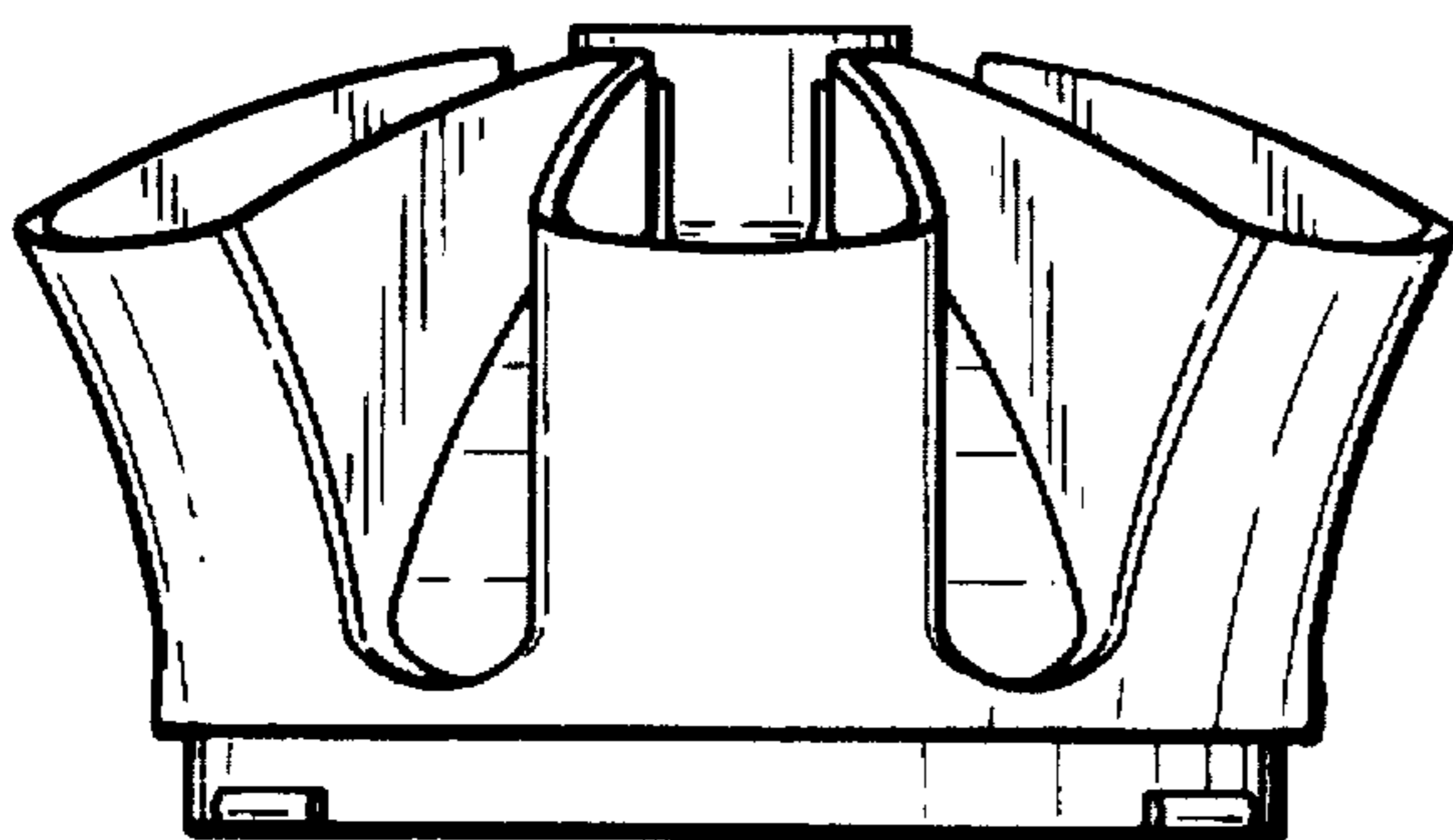
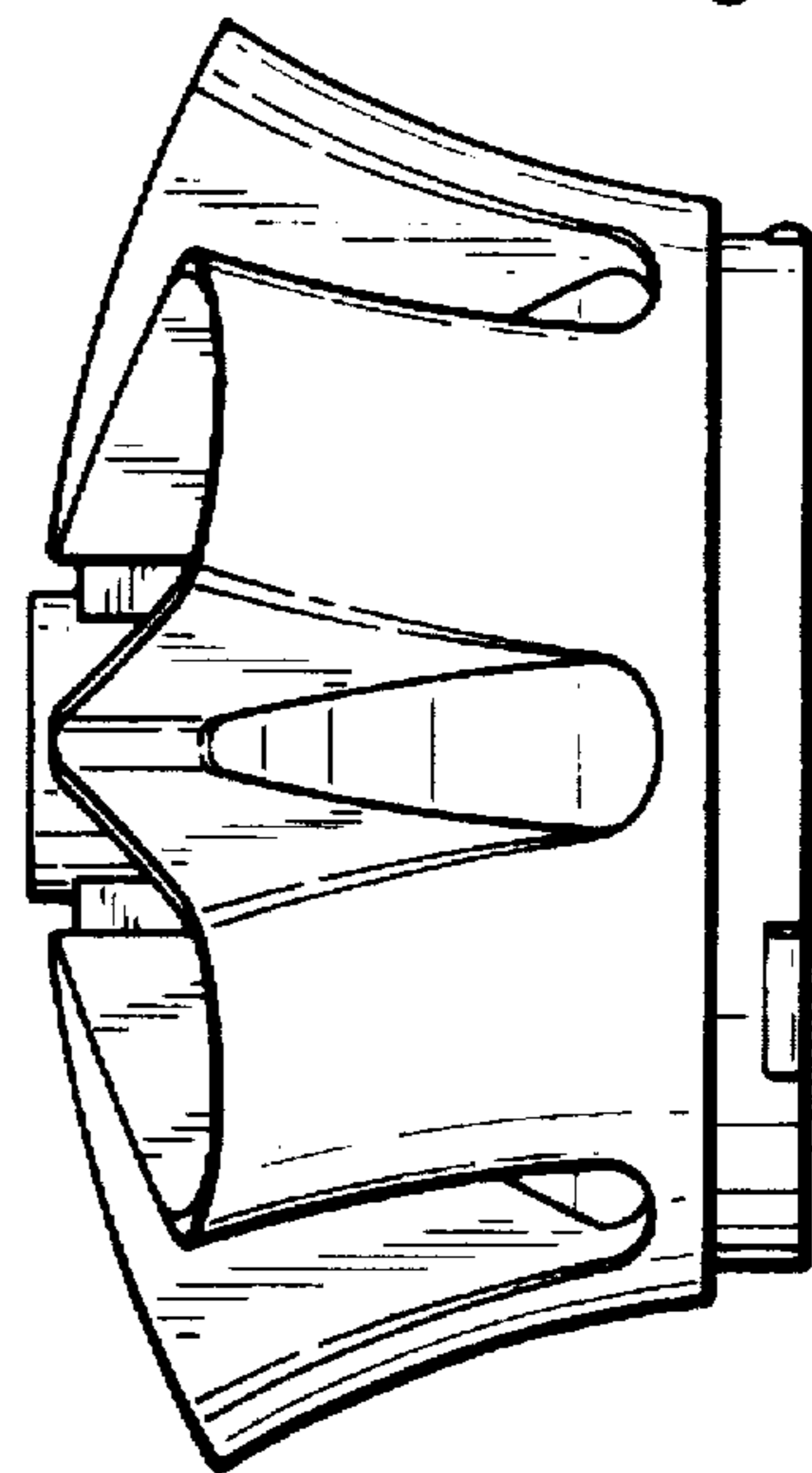


Fig. 2

Fig. 4

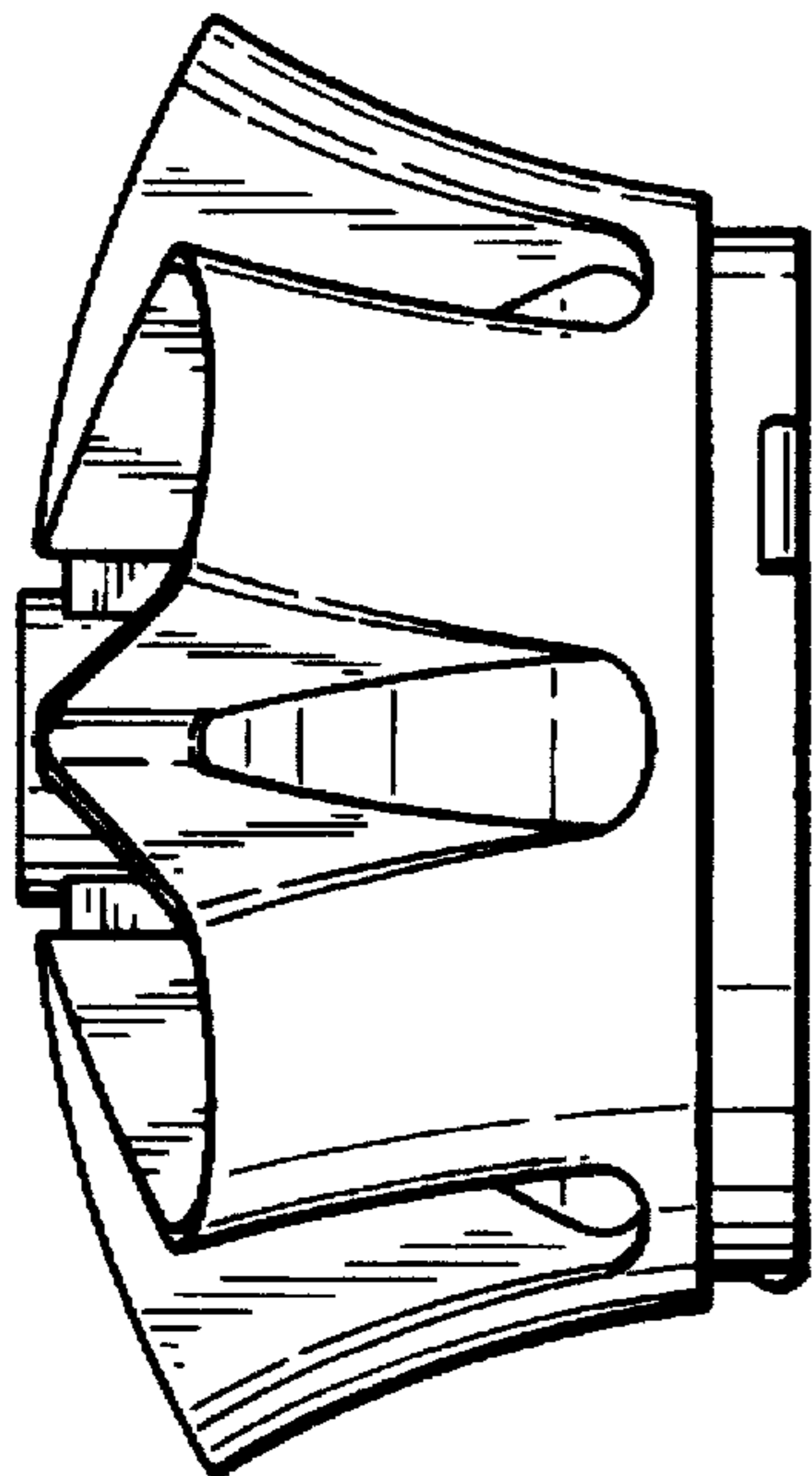


Fig. 7

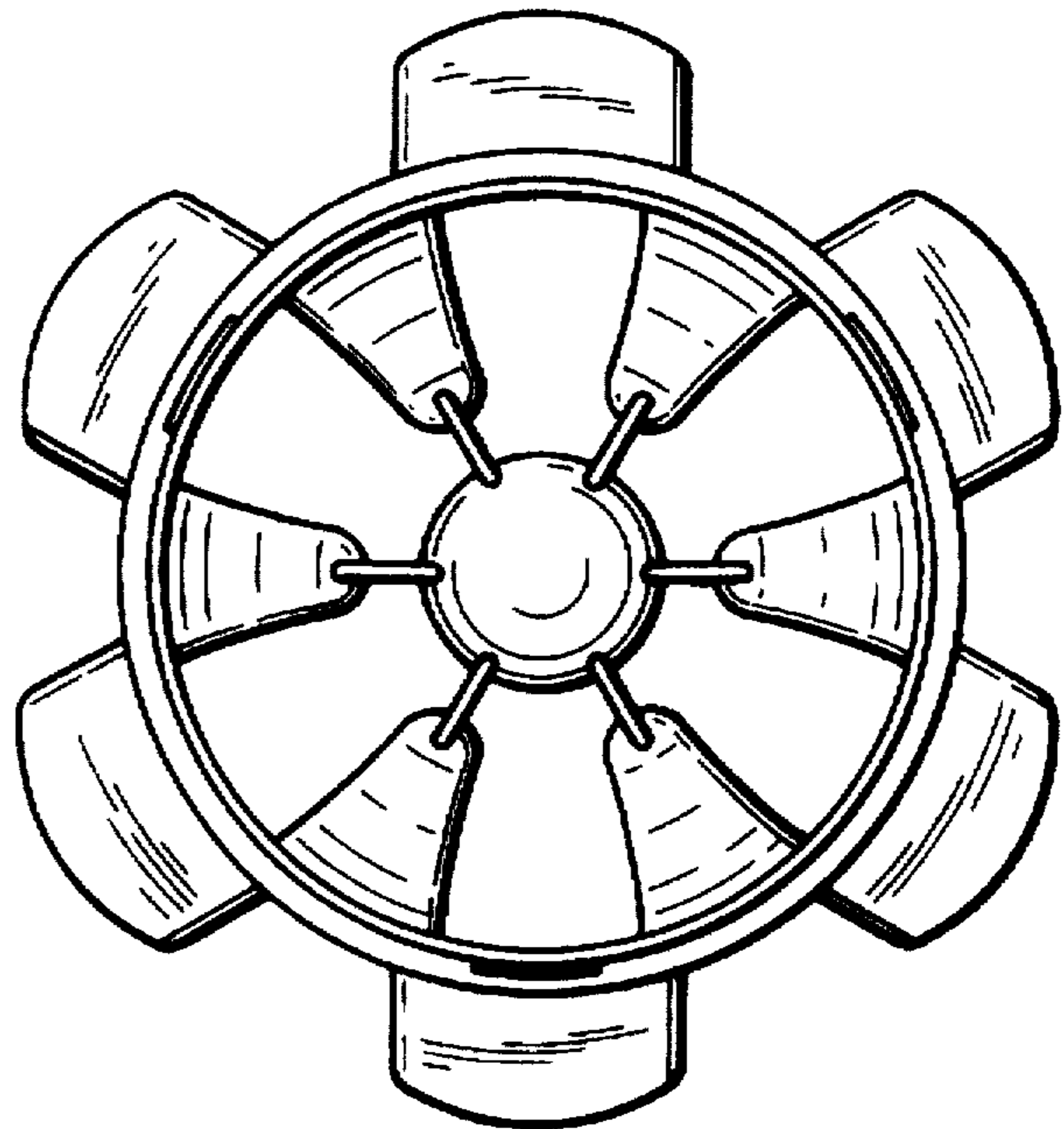


Fig. 5

