

US00D384766S

# United States Patent [19]

[11] Patent Number: **Des. 384,766**

Von Kluck

[45] Date of Patent: **\*\*Oct. 7, 1997**

[54] **TABLE LAMP BASE**

[75] Inventor: **Kevin Von Kluck**, Hudson, Ohio

[73] Assignee: **The L.D. Kichler Co.**, Cleveland, Ohio

[\*\*] Term: **14 Years**

[21] Appl. No.: **52,797**

[22] Filed: **Apr. 9, 1996**

[51] LOC (6) Cl. .... **26-05**

[52] U.S. Cl. .... **D26/106**

[58] Field of Search ..... **D26/93, 102-112, D26/142; 362/410-414**

[56] **References Cited**

**PUBLICATIONS**

Dehagram, Sep. 10, 1959, p. 88, Desk Lamp.  
Home Lighting & Accessories, Sep. 1994, p. 52, Table Lamp.  
Lamp Journal, Apr. 1970, p. 19, Lightolier Lamp.

*Primary Examiner*—Susan J. Lucas

*Attorney, Agent, or Firm*—Watts, Hoffmann, Fisher & Heinke Co. LPA

[57] **CLAIM**

The ornamental design for a table lamp base, as shown and described.

**DESCRIPTION**

FIG. 1 is a perspective view of a table lamp base showing my new design;

FIG. 2 is a front side elevational view of the table lamp base, the rear elevational view being a mirror image;

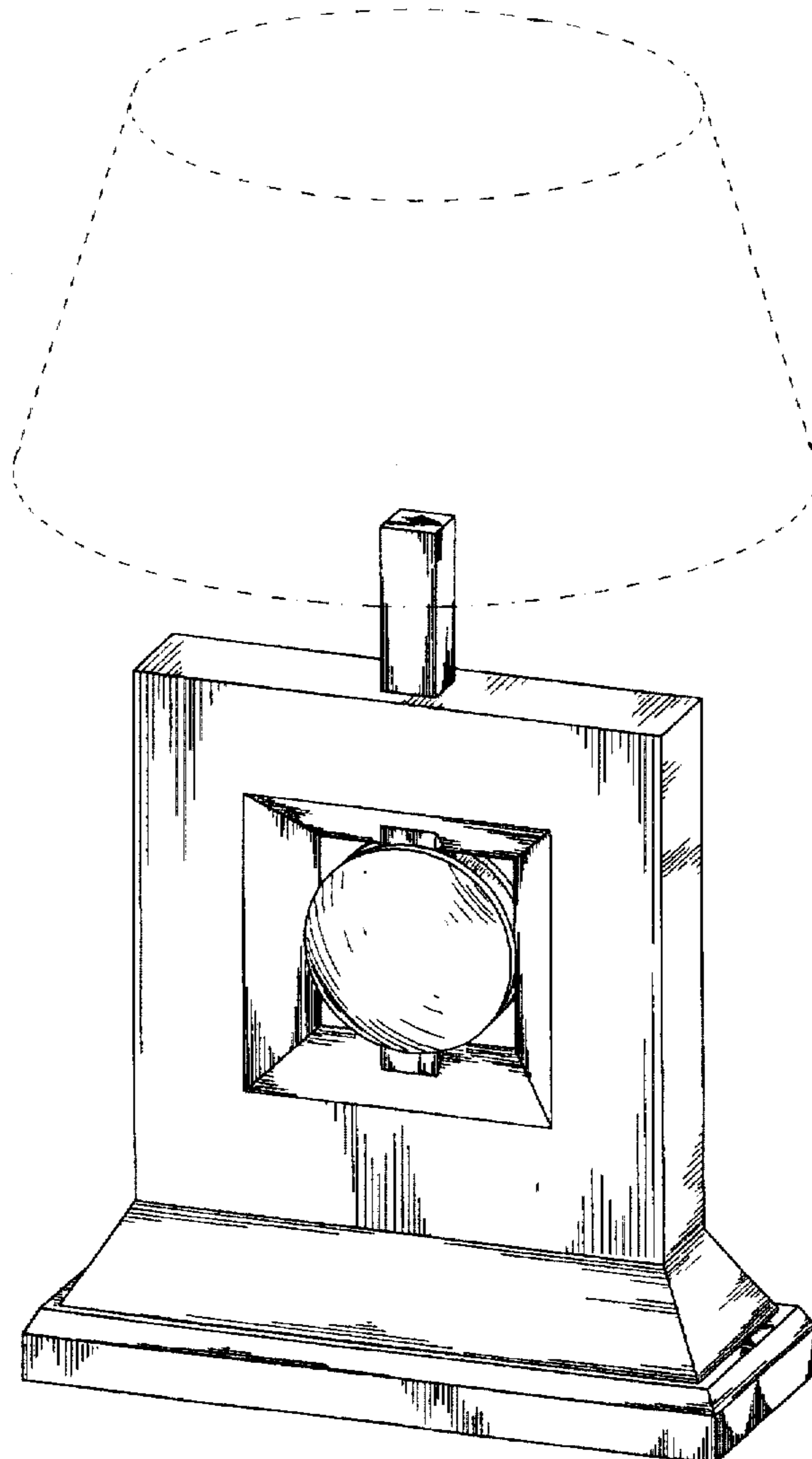
FIG. 3 is a right side elevational view of the table lamp base, the left side elevational view being a mirror image;

FIG. 4 is a top plan view of the table lamp base; and

FIG. 5 is a bottom plan view thereof.

The shade shown in broken lines is for illustrative purposes only.

**1 Claim, 3 Drawing Sheets**



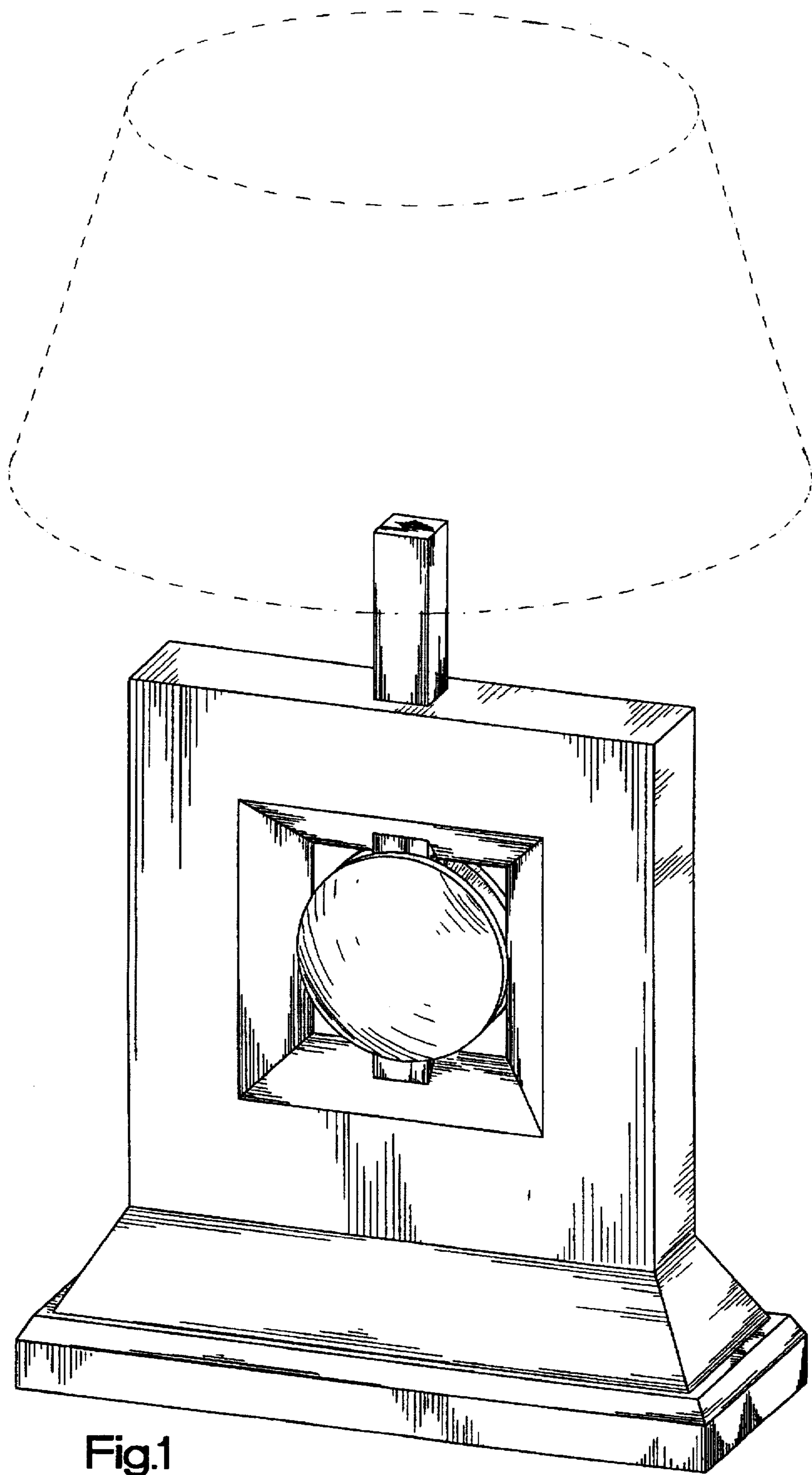


Fig.1

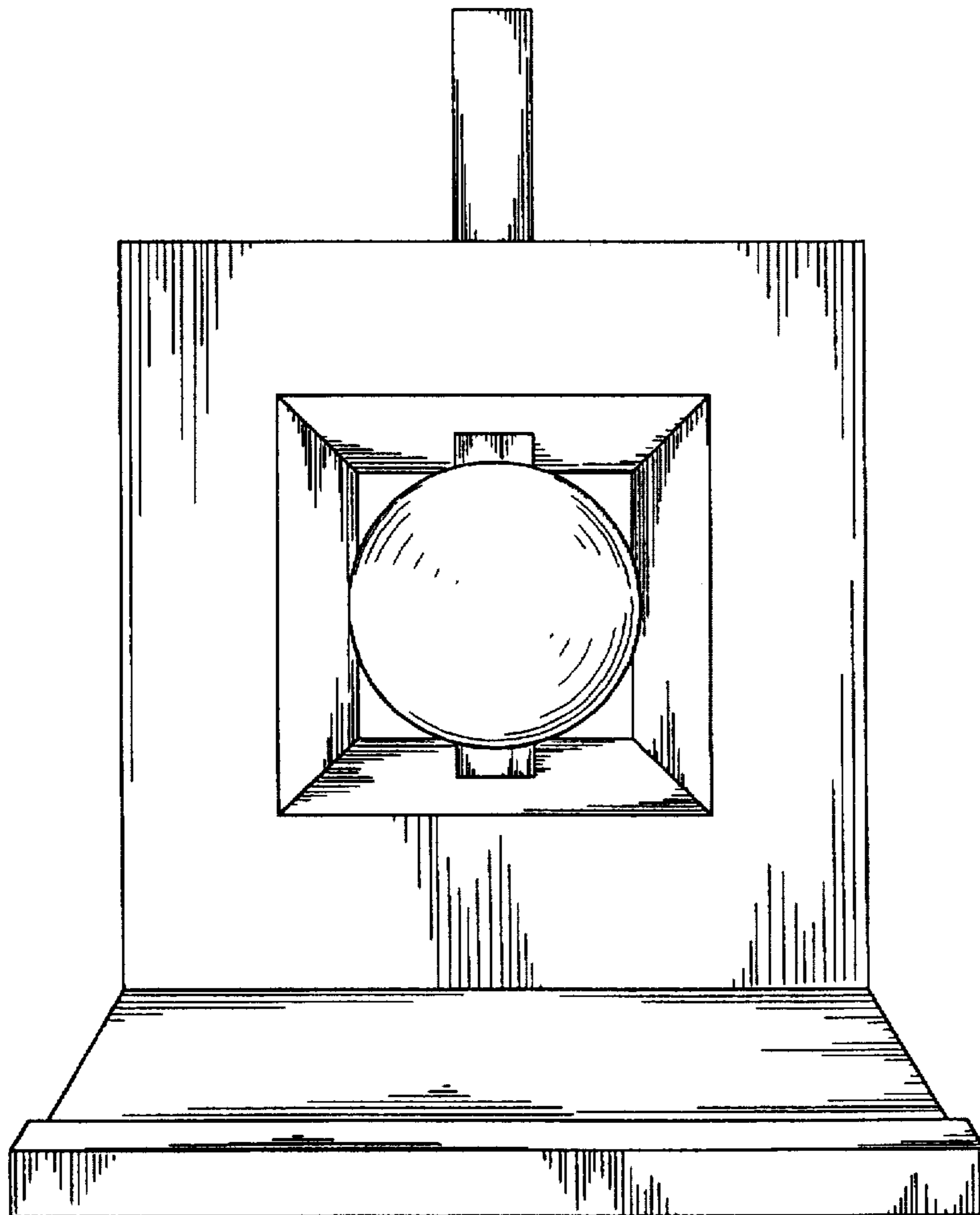


Fig.2

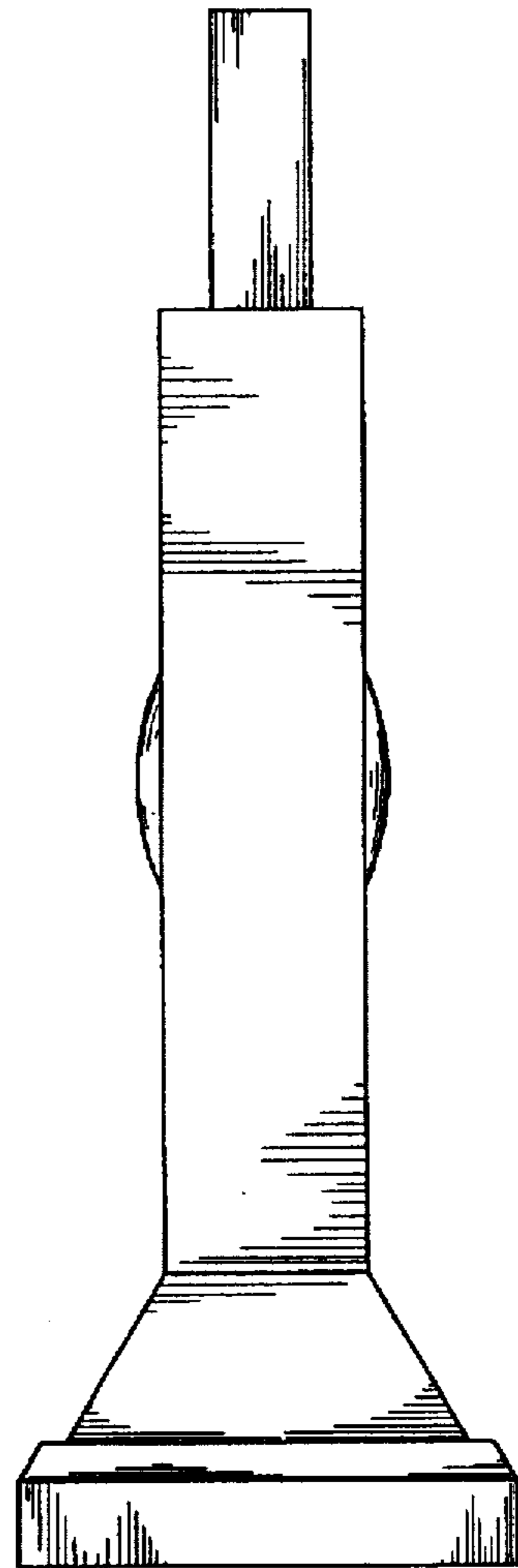


Fig.3

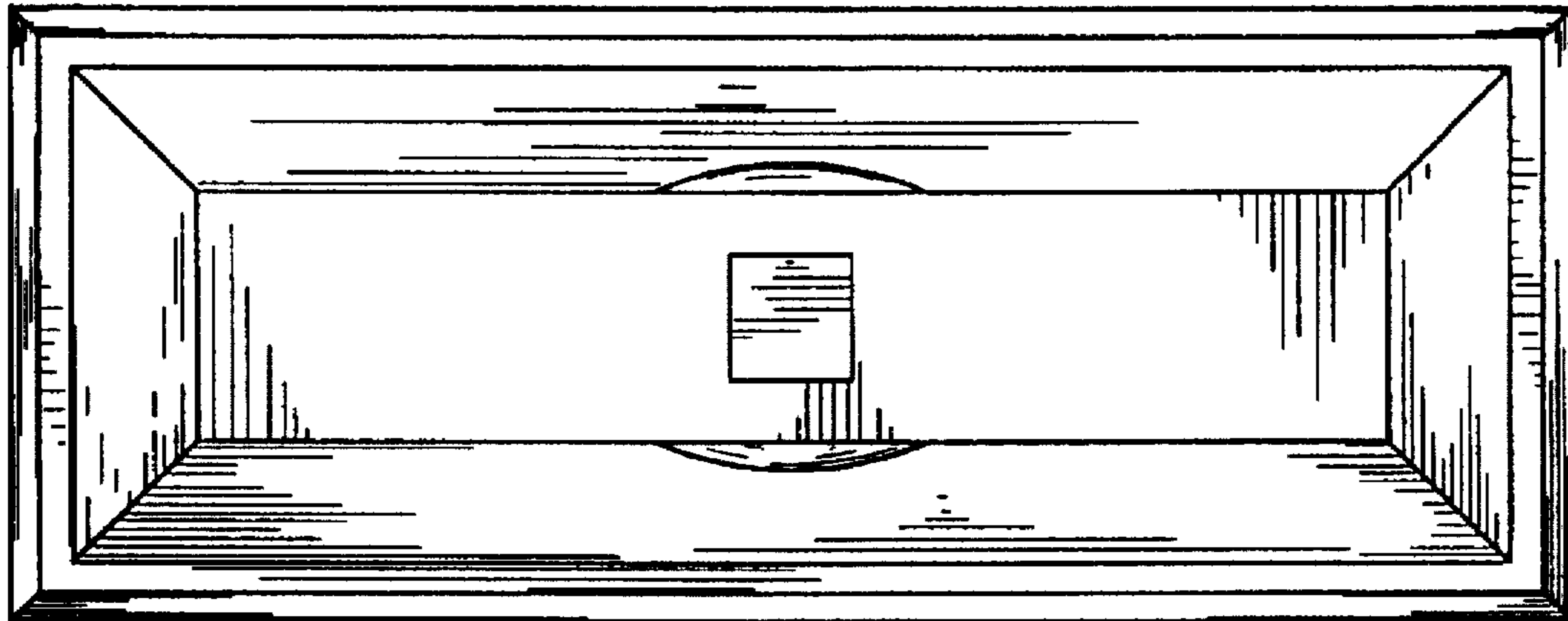


Fig.4

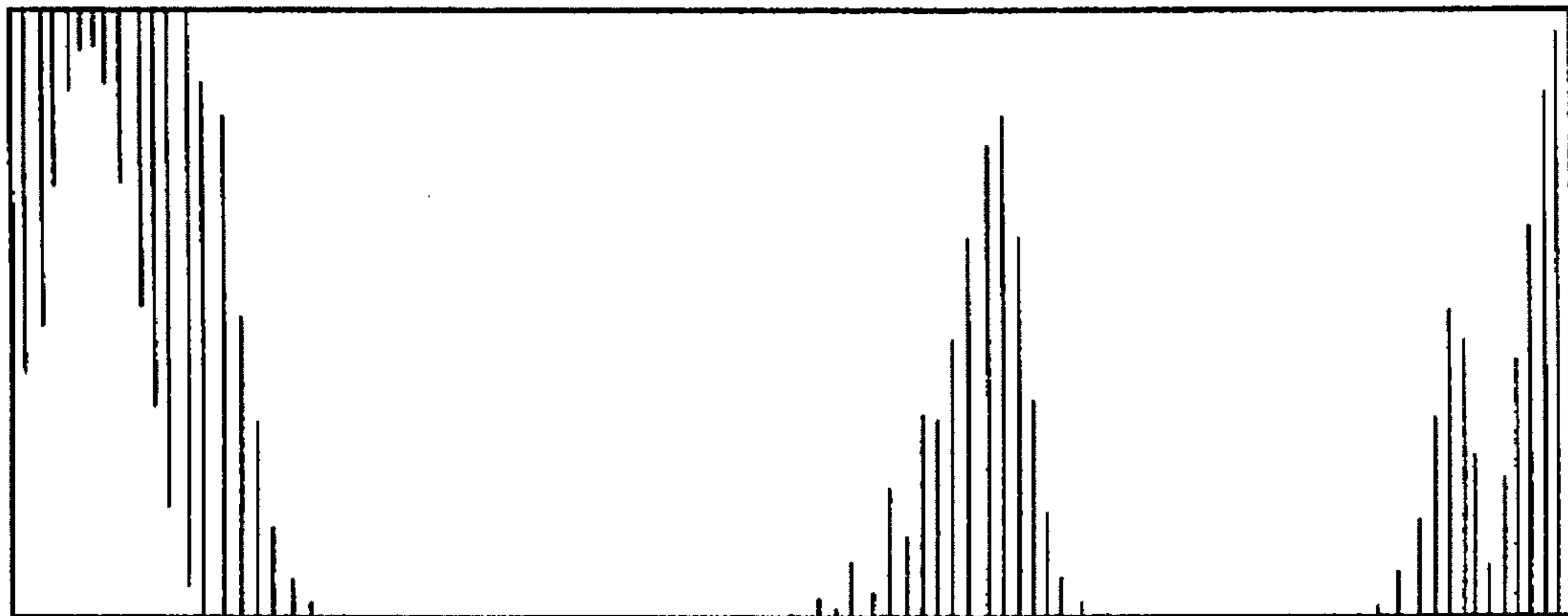


Fig.5