



US00D384765S

United States Patent [19]

Littman et al.

[11] Patent Number: **Des. 384,765**

[45] Date of Patent: ****Oct. 7, 1997**

[54] **WALL LAMP**

[75] Inventors: **Sandra E. Littman; Kirina S. Kaufman**, both of New York, N.Y.

[73] Assignee: **Sandy Littman, Inc.**, New York, N.Y.

[**] Term: **14 Years**

[21] Appl. No.: **48,310**

[22] Filed: **Dec. 26, 1995**

[51] LOC (6) Cl. **26-05**

[52] U.S. Cl. **D26/87; D26/92**

[58] Field of Search **D26/72, 80-92; 362/147, 432, 806**

[56] **References Cited**

U.S. PATENT DOCUMENTS

D. 71,925 1/1927 **Opperman** D26/92
1,537,780 5/1925 **Oefinger** 362/432 X

OTHER PUBLICATIONS

Corbett Lighting catalog, p. 14, wall lamp #570, Group 2900-ceiling lamp box 1994.
Hinkey Lighting catalog, p.67, wall lamp #5120, Group 2900-ceiling lamp box 1987.

Primary Examiner—Susan J. Lucas

Attorney, Agent, or Firm—Schweitzer Cornman Gross & Bondell LLP

[57] **CLAIM**

The ornamental design for a wall lamp, as shown and described.

DESCRIPTION

FIG. 1 is a rear elevational view of a wall lamp showing our new design;

FIG. 2 is a front elevational view thereof;

FIG. 3 is a bottom plan view thereof;

FIG. 4 is a top plan view thereof;

FIG. 5 is a side elevational view thereof;

The shade is shown in broken lines for illustrative purposes only and forms no part of the claimed design.

1 Claim, 2 Drawing Sheets

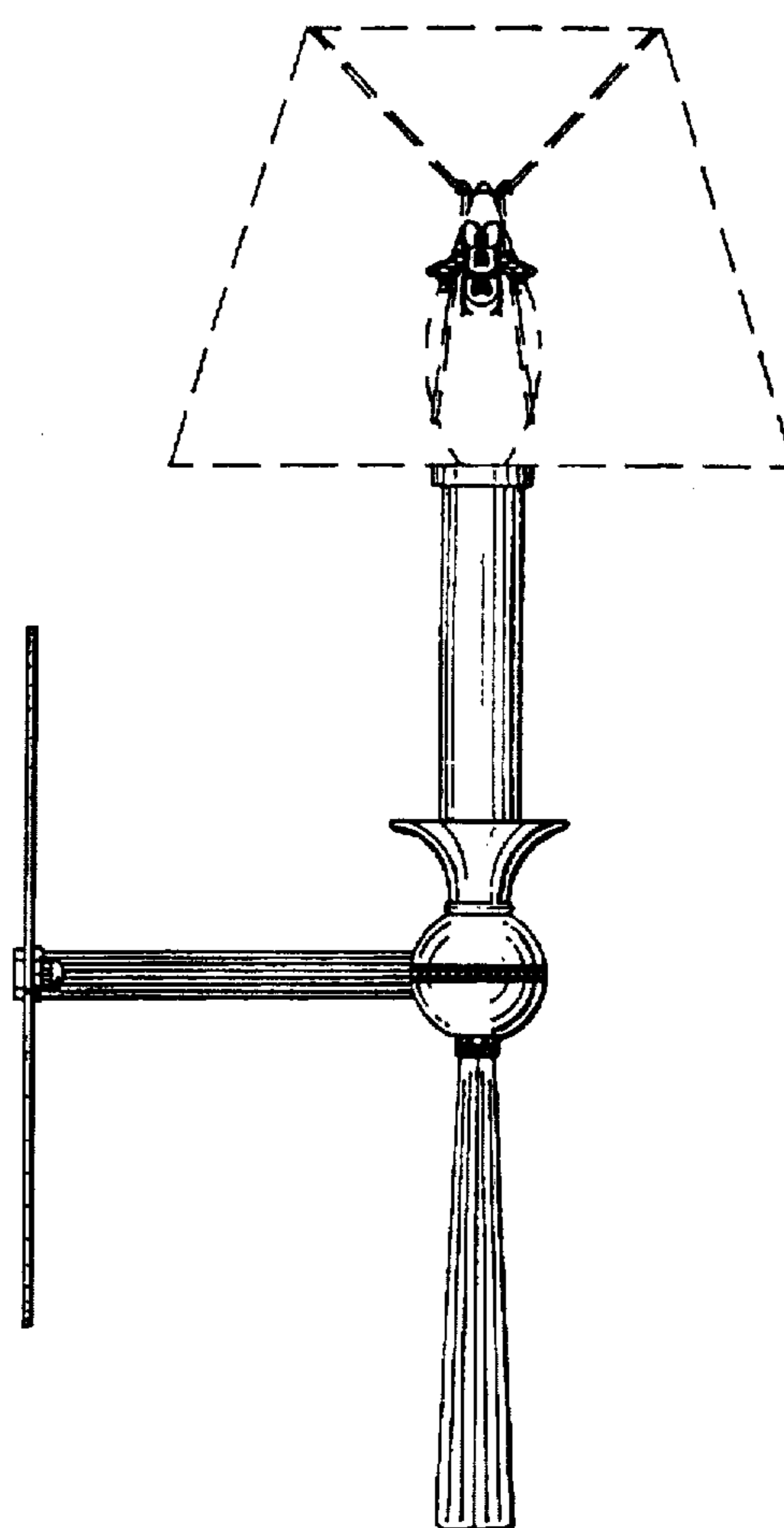
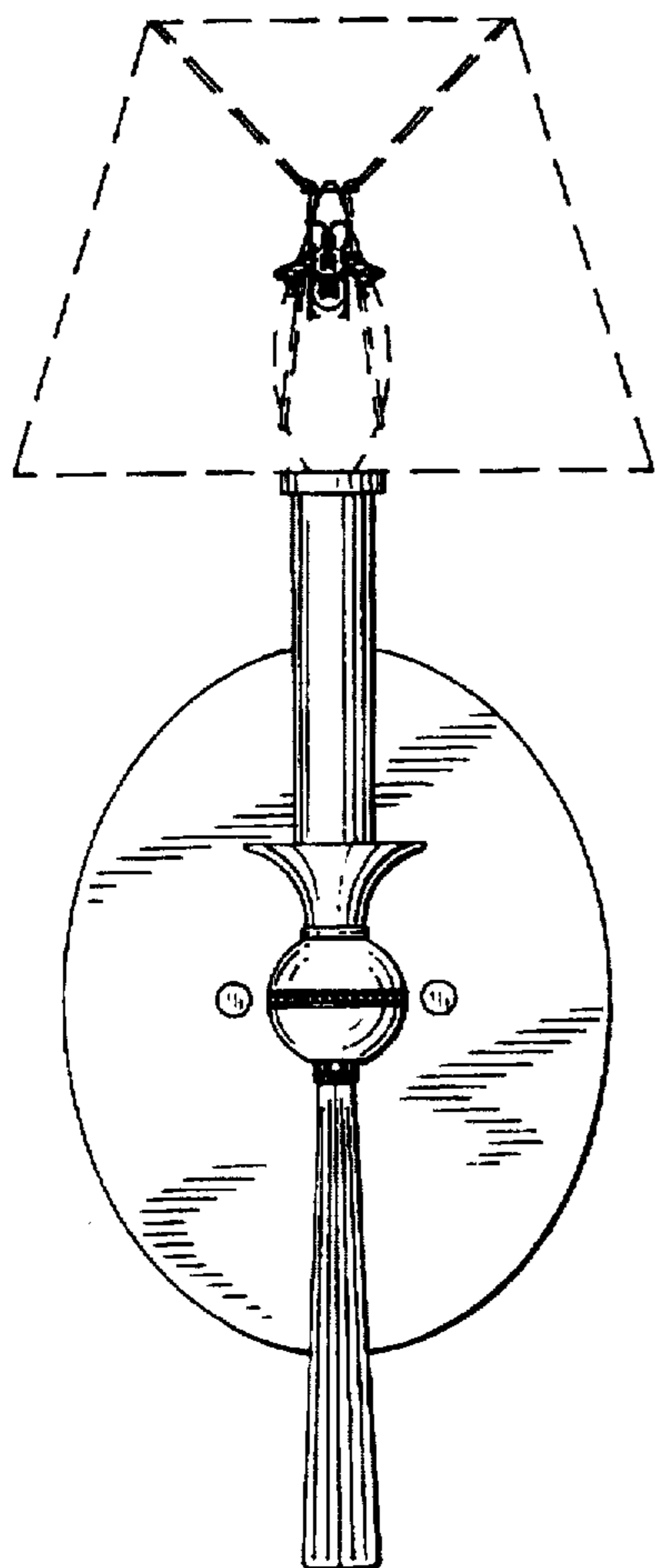


FIG. 1

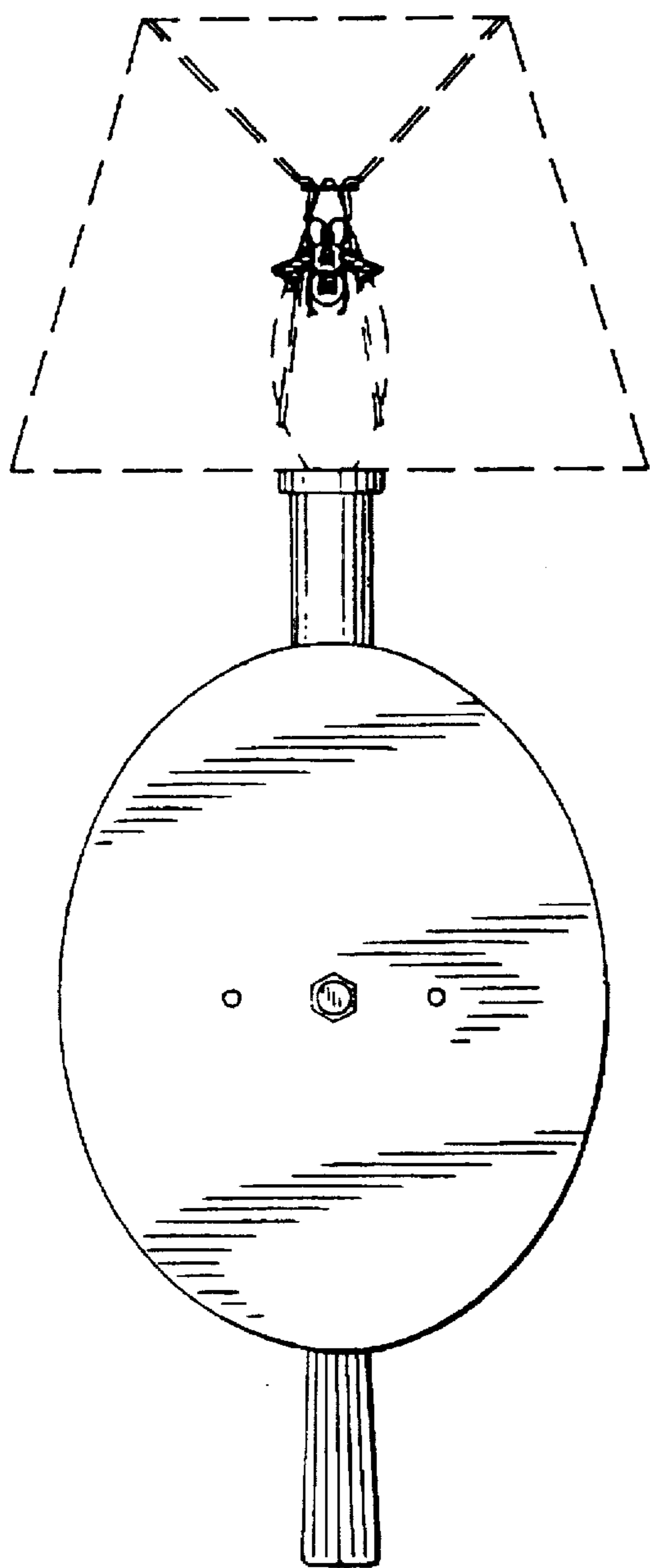


FIG. 2

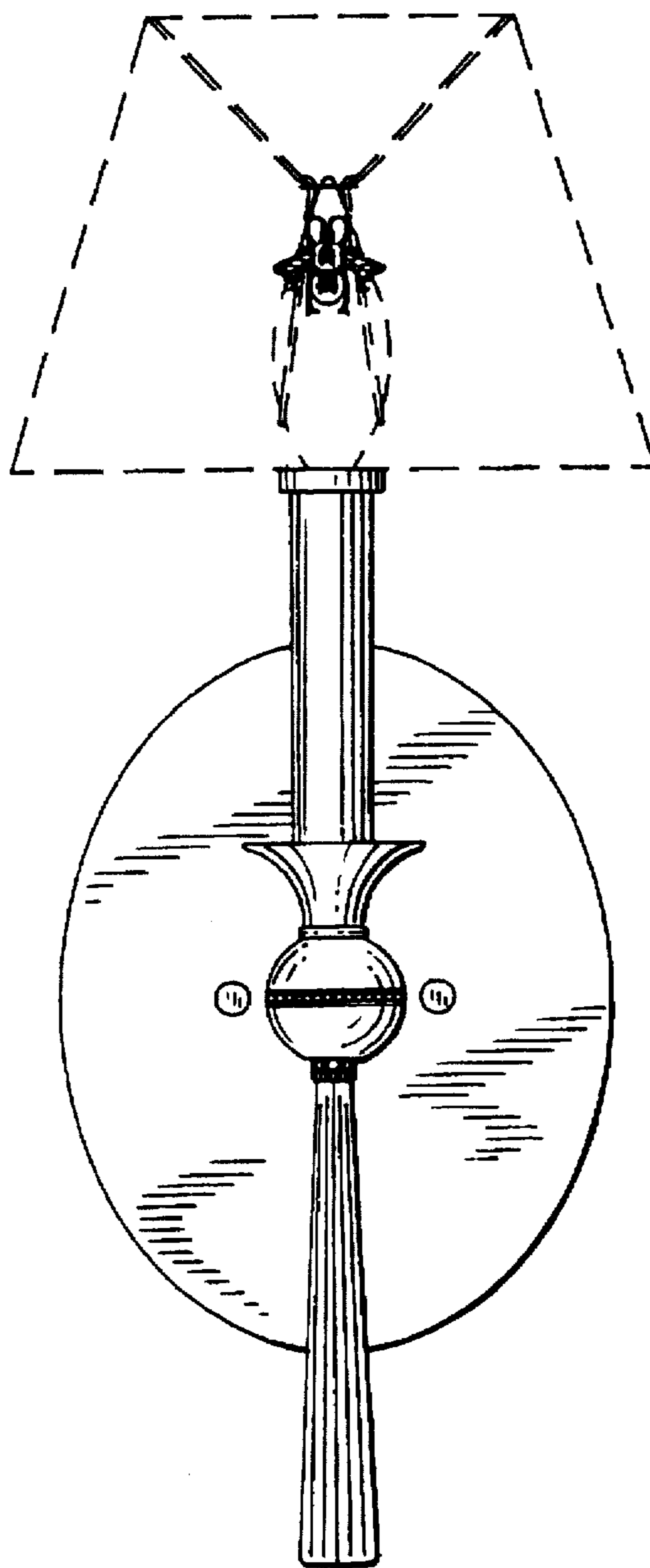


FIG. 3

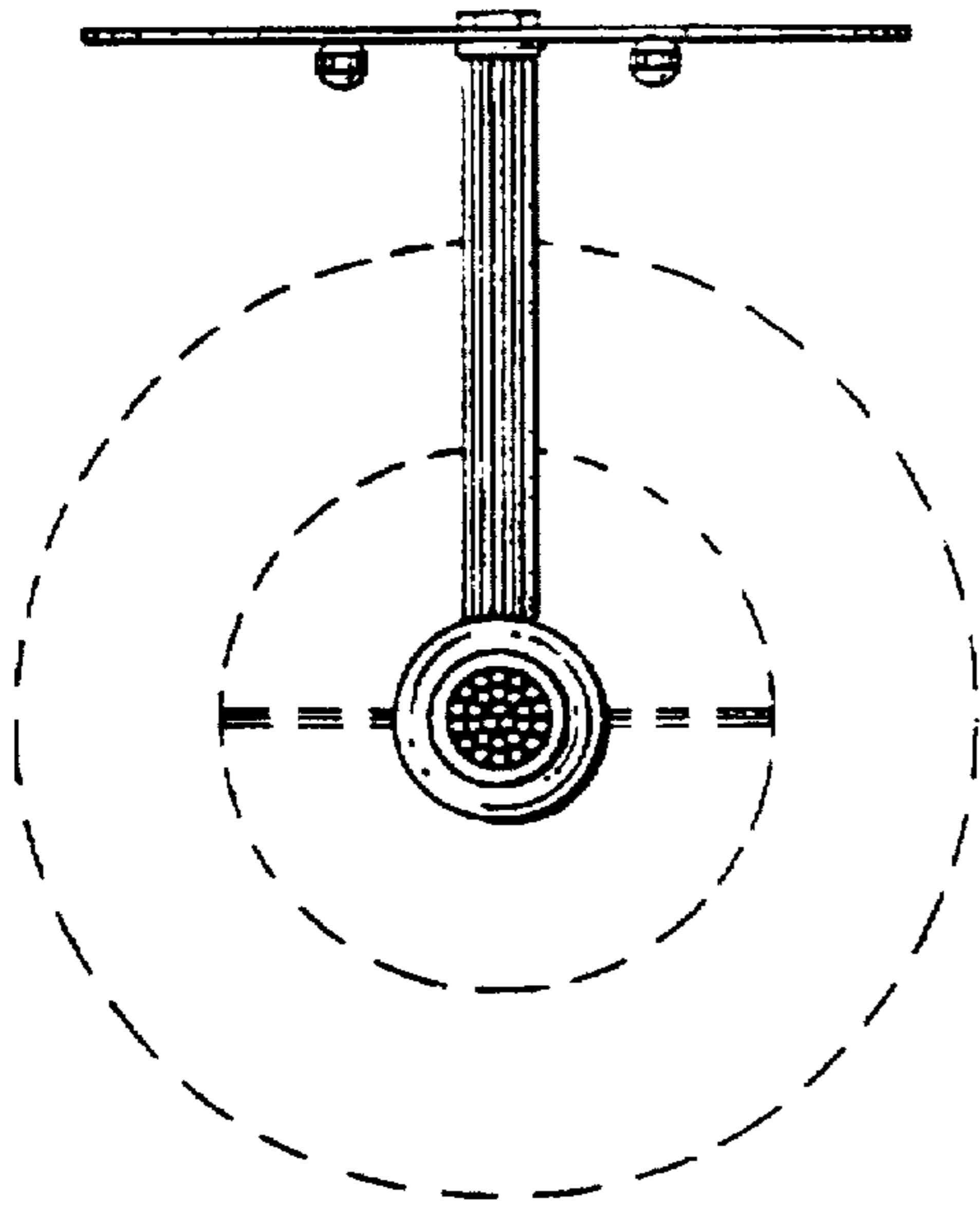


FIG. 4

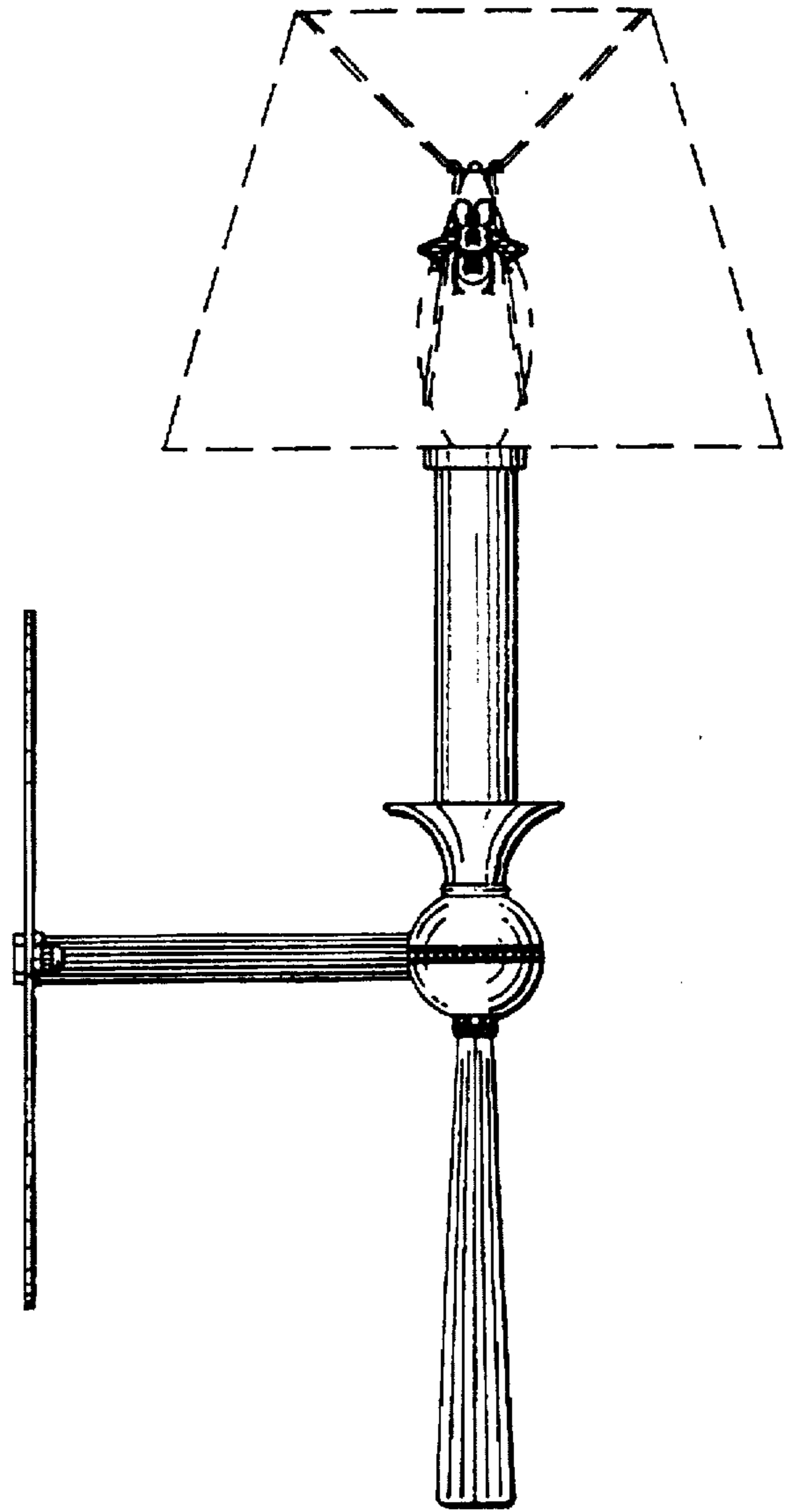
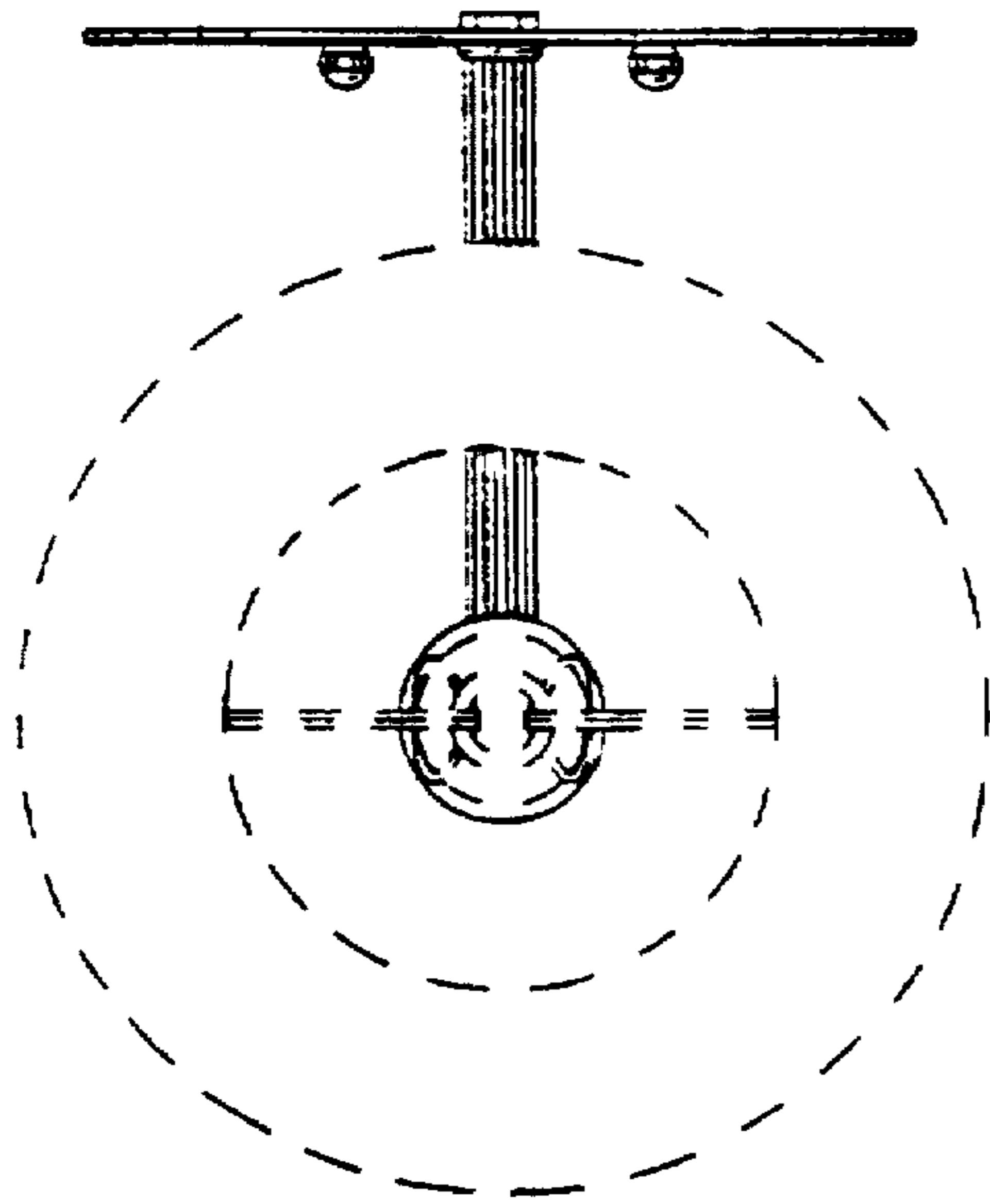


FIG. 5