



US00D384763S

United States Patent [19]

[11] Patent Number: **Des. 384,763**

Roorda

[45] Date of Patent: ****Oct. 7, 1997**

[54] **TRIPLE LAMP LOW PROFILE UNDER CABINET LIGHT BAR**

[75] Inventor: **John W. Roorda**, La Jolla, Calif.

[73] Assignee: **Westek Associates**, San Diego, Calif.; a California Partnership of Westek, Inc. and Sea Side Industries Inc.

[**] Term: **14 Years**

[21] Appl. No.: **45,905**

[22] Filed: **Nov. 2, 1995**

[51] LOC (6) Cl. **26-05**

[52] U.S. Cl. **D26/85; D26/24**

[58] Field of Search D26/24, 72, 80-92, D26/35; 362/147, 235, 236, 239, 240, 241, 249, 33

[56] References Cited

U.S. PATENT DOCUMENTS

D. 279,927	7/1985	Preisler et al.	D26/35
D. 359,374	6/1995	Weinstock	D26/80
5,084,806	1/1992	Nagai	362/240 X
5,426,572	6/1995	Weinstock et al.	362/133
5,437,504	8/1995	Halvatzis	362/240 X

OTHER PUBLICATIONS

Ace Momentum Co., Ltd., Low Voltage Light Bars, Model Nos. BA 2, BA 2A, BA 3 and BA 3A, one page, (undated).
TRULITE by SimiLights, one page product brochure dated 1993.

Lincs Fluorescent Light Fixture by Alkco, one page product brochure (undated).

Under Cabinet Lighting System by Tresco, one page product brochure (undated).

Lampi Fluorescent Light Fixture, one page product brochure (undated).

Eclairage AXIS Lighting, one page product brochure (undated).

Primary Examiner—Susan J. Lucas

Attorney, Agent, or Firm—Baker, Maxham, Jester & Meador

[57] CLAIM

The ornamental design for a triple lamp low profile under cabinet light bar, as shown and described.

DESCRIPTION

FIG. 1 is a perspective view of a triple lamp low profile under cabinet light bar embodying my new design;

FIG. 2 is a top plan view thereof;

FIG. 3 is a bottom plan view thereof;

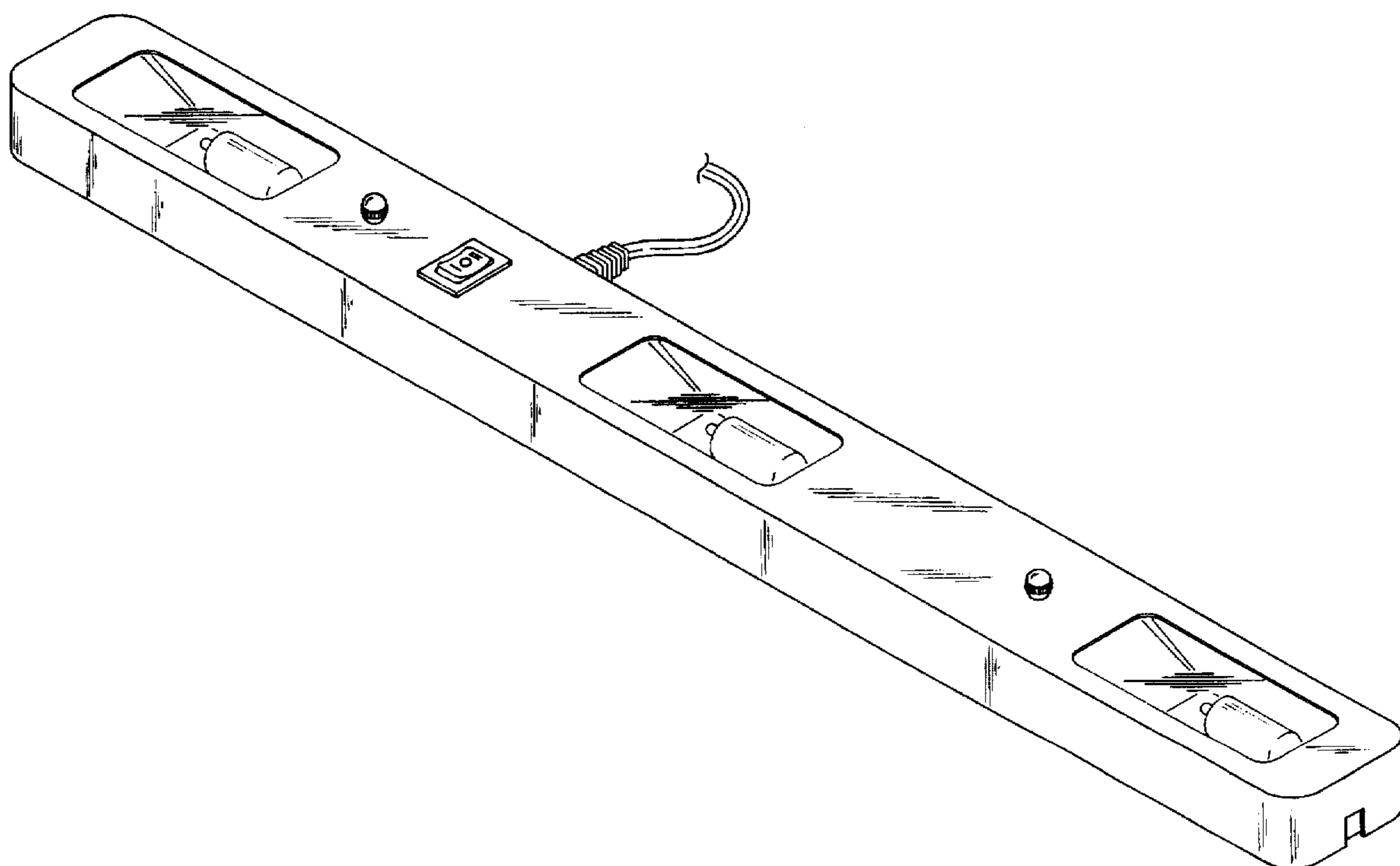
FIG. 4 is a left side elevation view thereof taken from the right end of FIG. 1;

FIG. 5 is a right side elevation view thereof taken from the right end of FIG. 1;

FIG. 6 is an end elevation view taken from the right end of FIG. 1; and,

FIG. 7 is an end elevation view taken from the left end of FIG. 1.

1 Claim, 2 Drawing Sheets



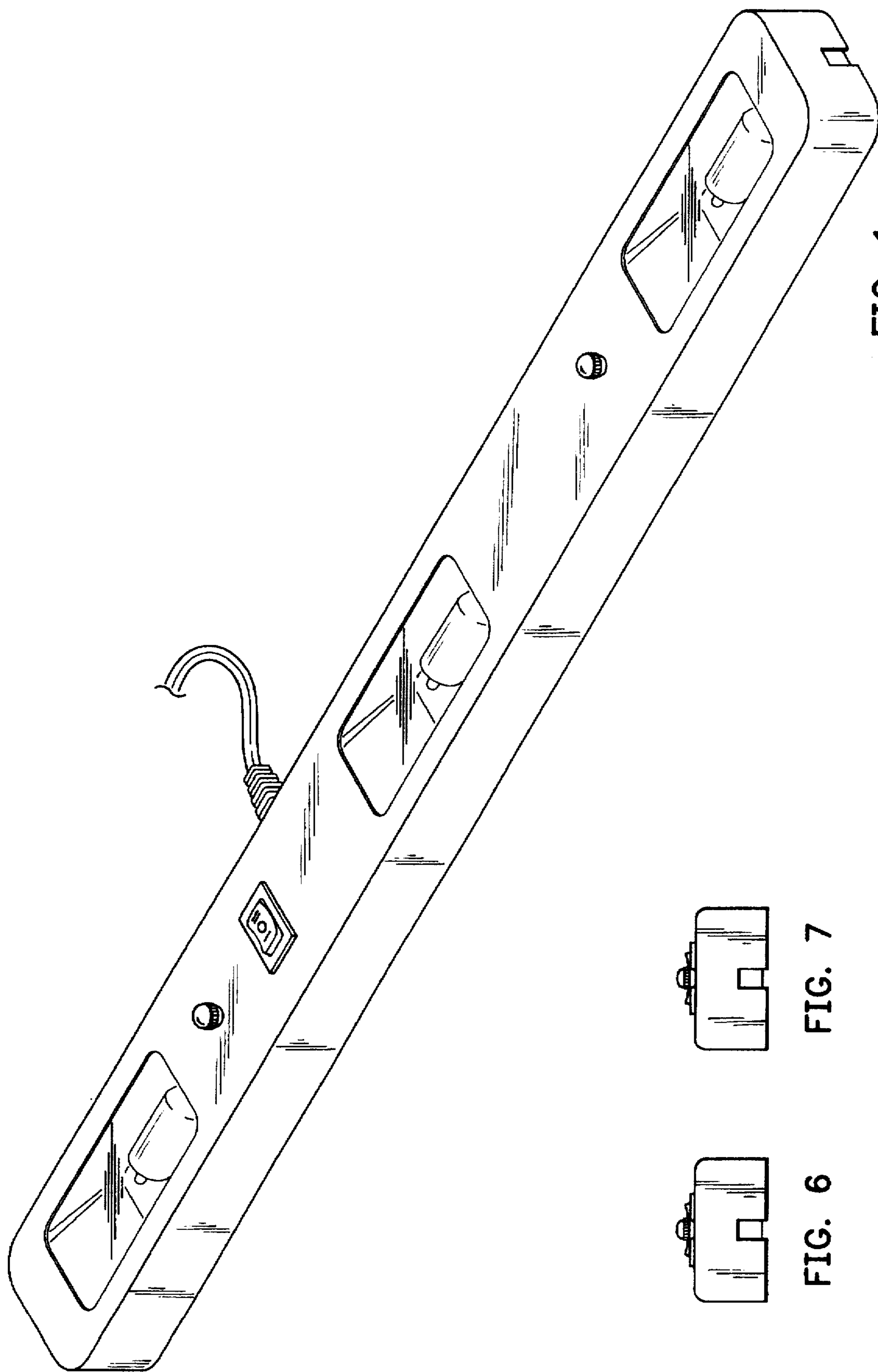


FIG. 1

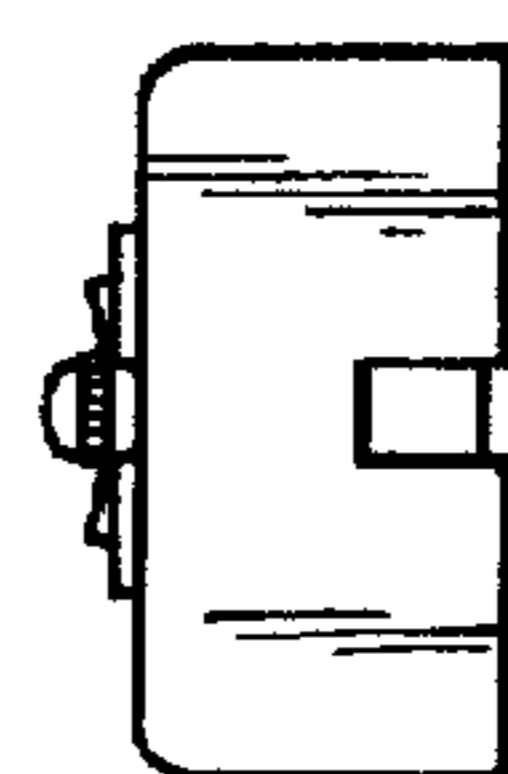


FIG. 7

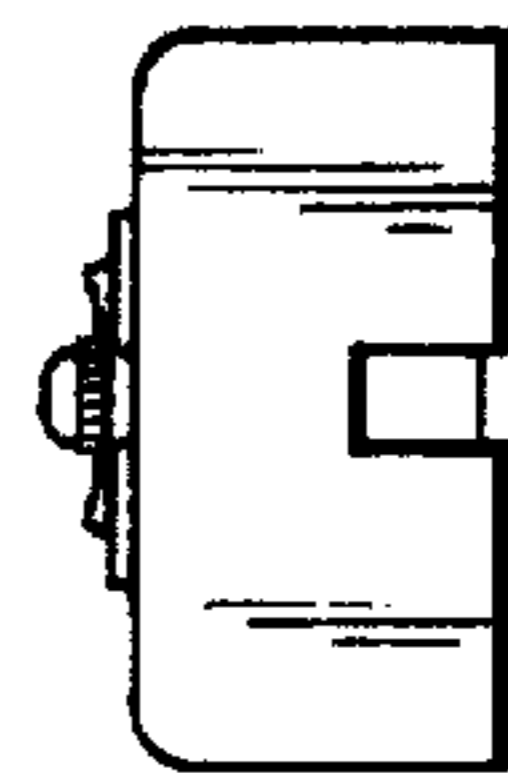


FIG. 6

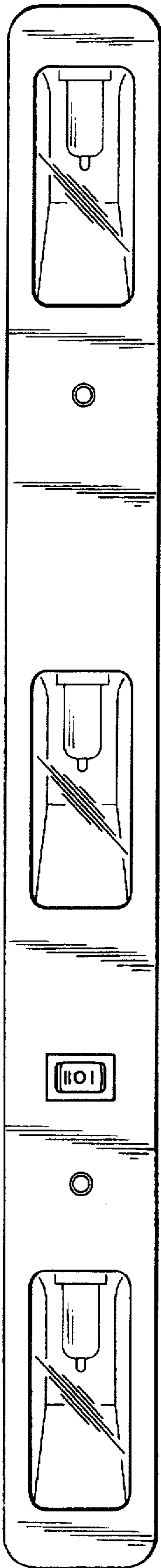


FIG. 2

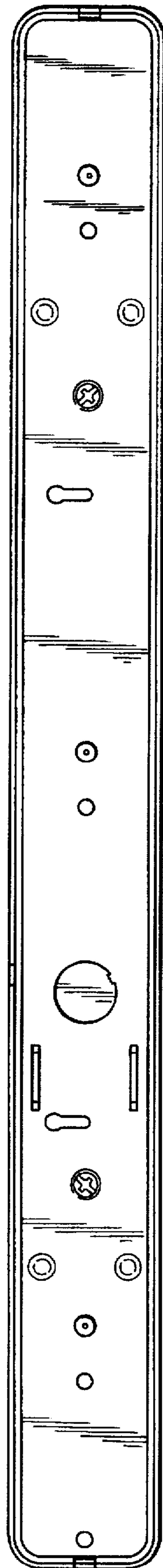


FIG. 3



FIG. 4

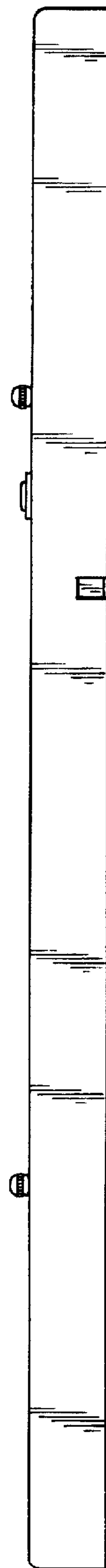


FIG. 5