



US00D384762S

**United States Patent** [19]  
**Roorda**

[11] **Patent Number:** **Des. 384,762**  
[45] **Date of Patent:** **\*\*Oct. 7, 1997**

[54] **TWIN LAMP LOW PROFILE UNDER CABINET LIGHT BAR**

[75] **Inventor:** **John W. Roorda**, La Jolla, Calif.

[73] **Assignee:** **Westek Associates**, San Diego, Calif.;  
a California Partnership of Westek, Inc.  
and Sea Side Industries Inc.

[\*\*] **Term:** **14 Years**

[21] **Appl. No.:** **45,904**

[22] **Filed:** **Nov. 2, 1995**

[51] **LOC (6) Cl.** ..... **26-05**

[52] **U.S. Cl.** ..... **D26/85; D26/24**

[58] **Field of Search** ..... **D26/24, 72, 80-92,**  
**D26/35; 362/147, 235, 236, 239, 240, 241,**  
**249, 33**

[56] **References Cited**

**U.S. PATENT DOCUMENTS**

D. 279,927	7/1985	Preisler et al.	.....	D26/35
5,084,806	1/1992	Nagai	.....	362/240 X
5,437,504	8/1995	Halvatzis	.....	362/240 X

*Primary Examiner*—Susan J. Lucas  
*Attorney, Agent, or Firm*—Baker, Maxham, Jester & Meador

[57] **CLAIM**

The ornamental design for twin lamp low profile under cabinet light bar, as shown and described.

**DESCRIPTION**

FIG. 1 is a perspective view of a twin lamp low profile under cabinet light bar embodying my new design;

FIG. 2 is a top plan view thereof;

FIG. 3 is a bottom plan view thereof;

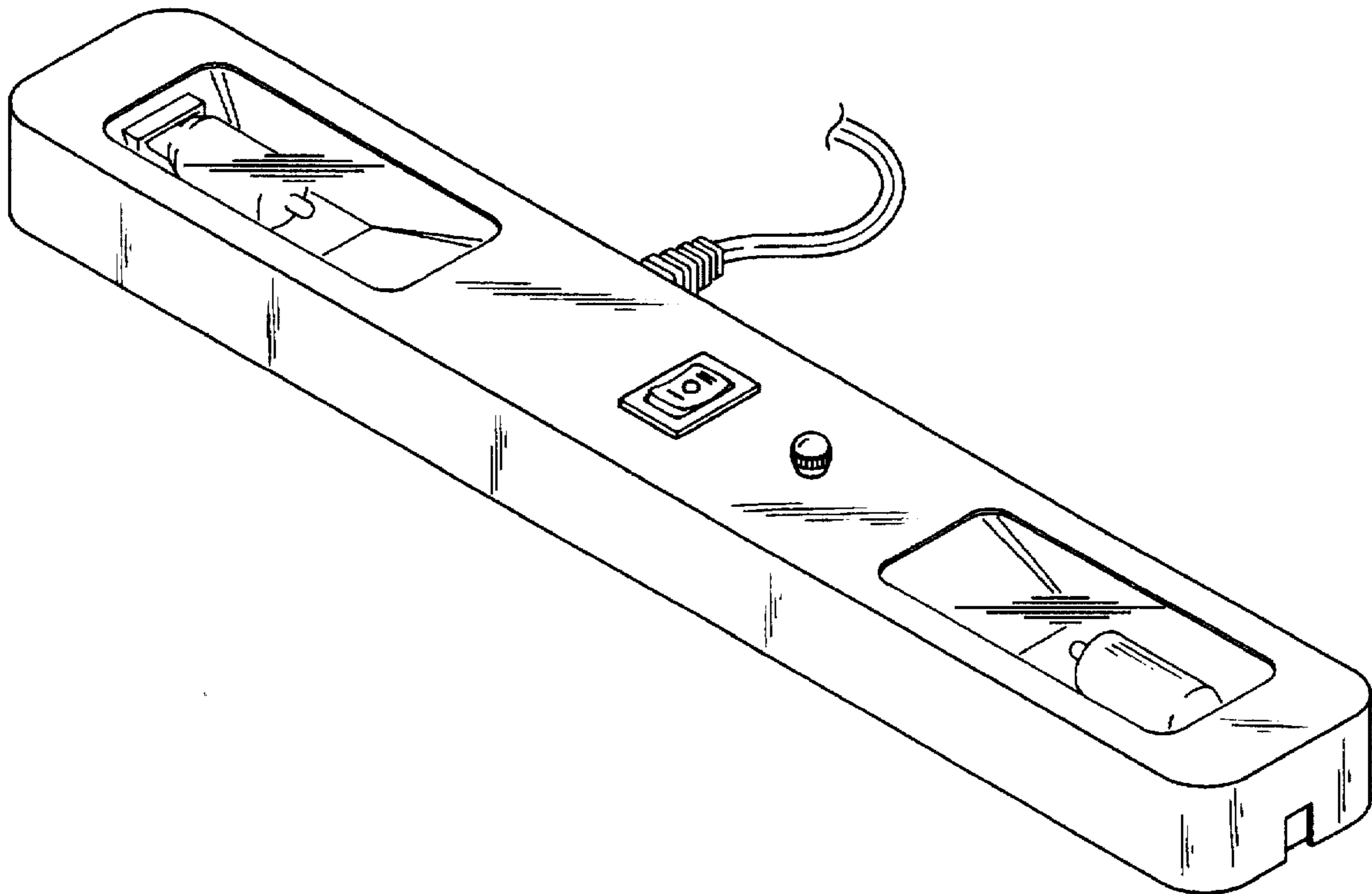
FIG. 4 is a right side elevation view thereof taken from the right end of FIG. 1;

FIG. 5 is a left side elevation view thereof taken from the left end of FIG. 1;

FIG. 6 is an end elevation view taken from the right end of FIG. 1; and,

FIG. 7 is an end elevation view taken from the left end of FIG. 1.

**1 Claim, 1 Drawing Sheet**



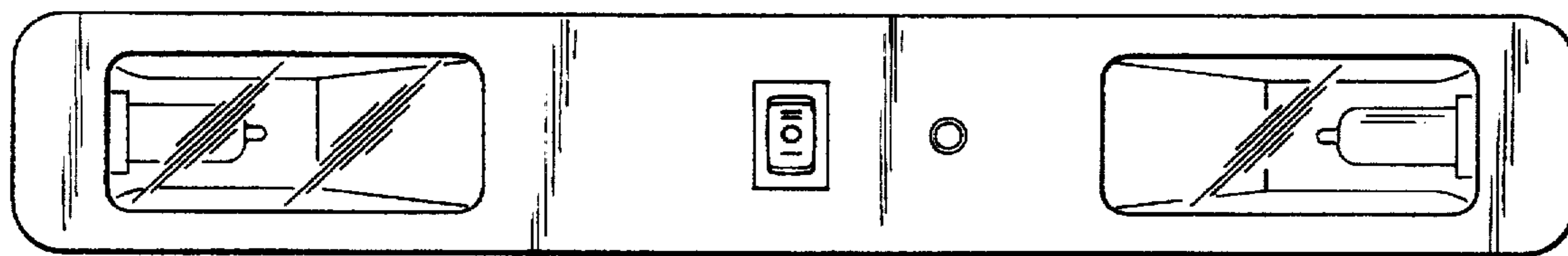
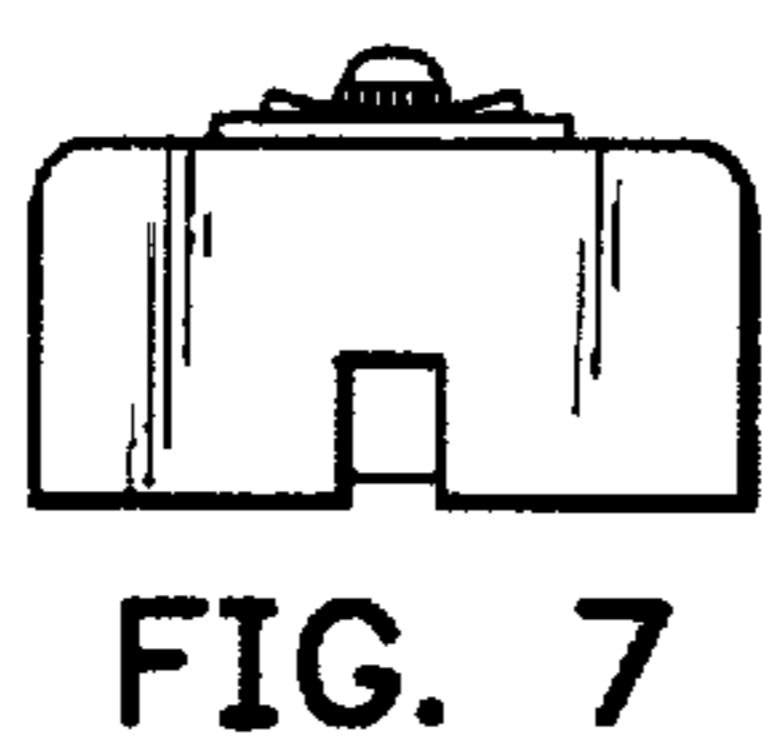
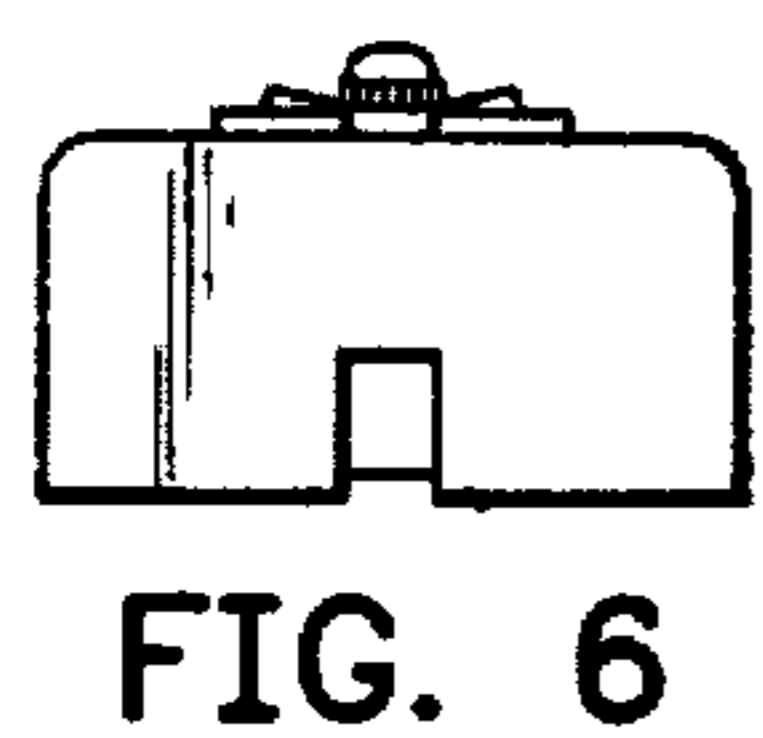
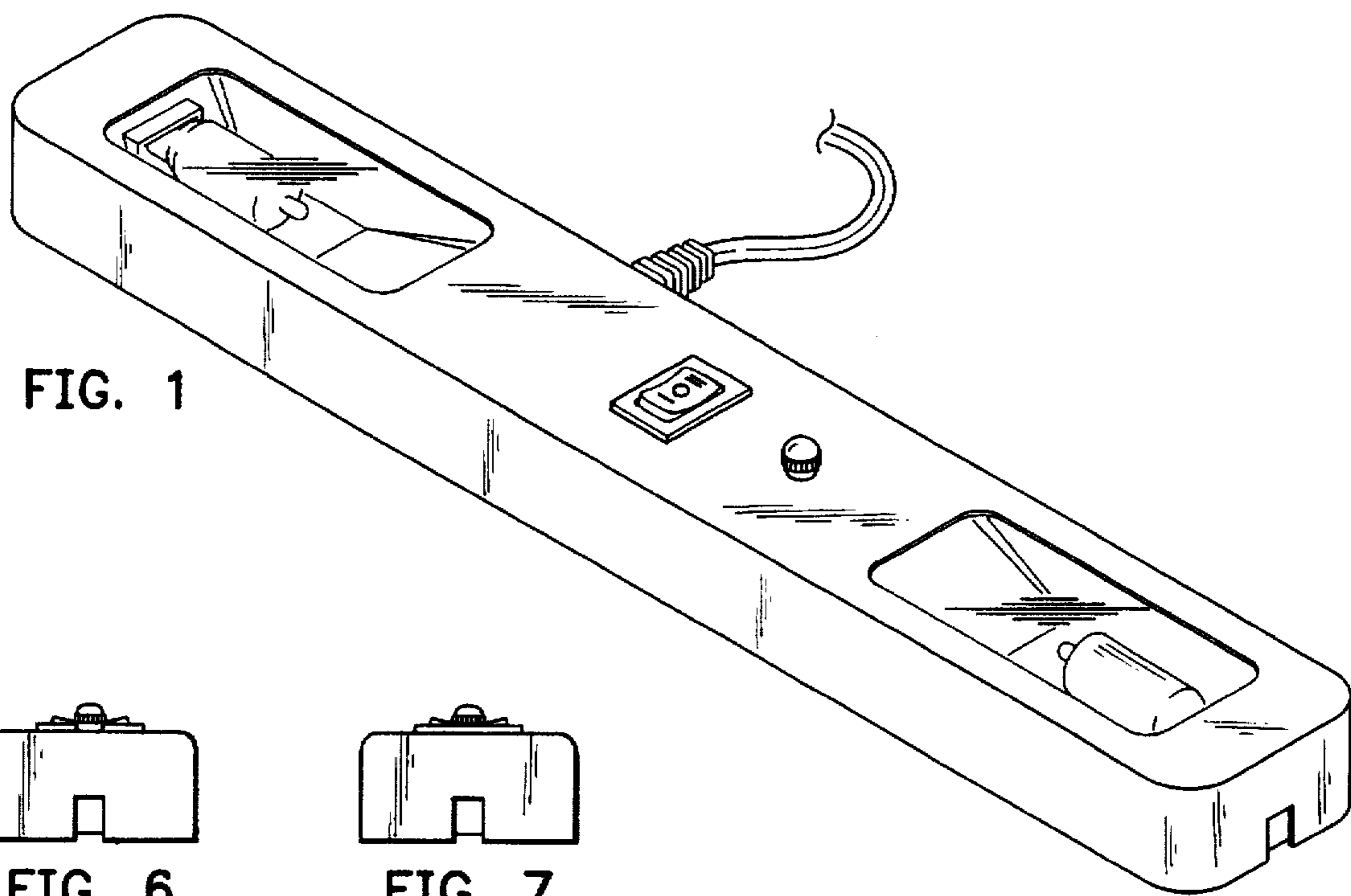


FIG. 2

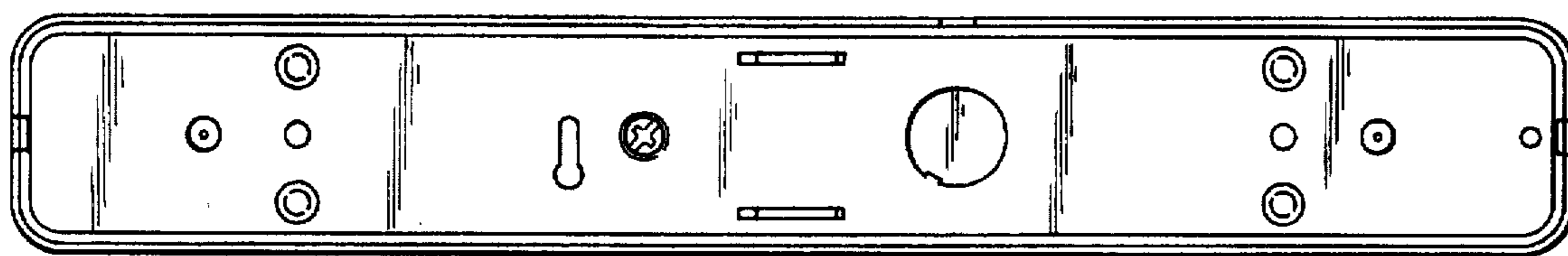


FIG. 3

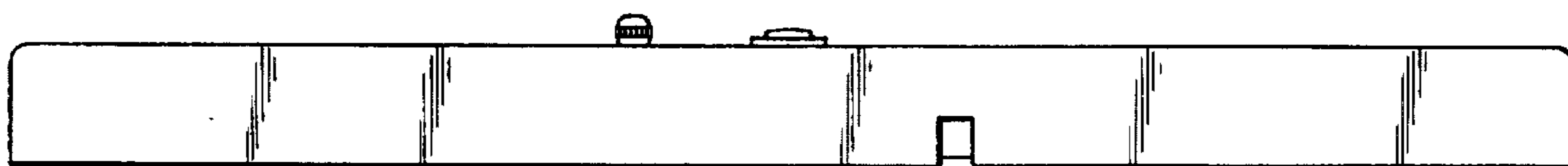


FIG. 4

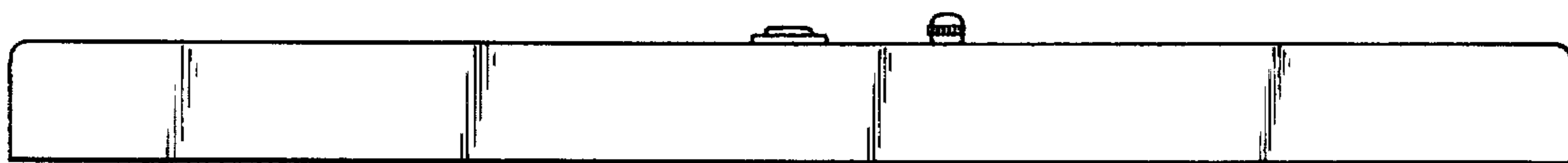


FIG. 5