



US00D384759S

United States Patent [19]
Strate

[11] **Patent Number:** **Des. 384,759**
[45] **Date of Patent:** ****Oct. 7, 1997**

[54] **HEADLIGHT**

[76] **Inventor:** **James R. Strate**, 6519 Joshua Tree,
Orange, Calif. 92667

[**] **Term:** **14 Years**

[21] **Appl. No.:** **43,700**

[22] **Filed:** **Sep. 11, 1995**

[51] **LOC (6) Cl.** **26-06**

[52] **U.S. Cl.** **D26/28**

[58] **Field of Search** D26/28-36; 362/61,
362/80, 81, 82, 83.4, 267, 269, 275

[56] **References Cited**

U.S. PATENT DOCUMENTS

D. 270,096	8/1983	Ziver	D26/28
D. 285,351	8/1986	English et al.	D26/28
D. 300,259	3/1989	Lungstrom	D26/28
D. 314,630	2/1991	Fukagawa	D26/28

Primary Examiner—Marcus A. Jackson
Attorney, Agent, or Firm—Harold H. Dutton, Jr.; W. Charles
L. Jamison; Diane S. Liebman

[57] **CLAIM**

The ornamental design for a headlight, as shown and
described.

DESCRIPTION

FIG. 1 is a perspective view of a headlight showing my new
design;

FIG. 2 is a front view thereof;

FIG. 3 is a rear view thereof;

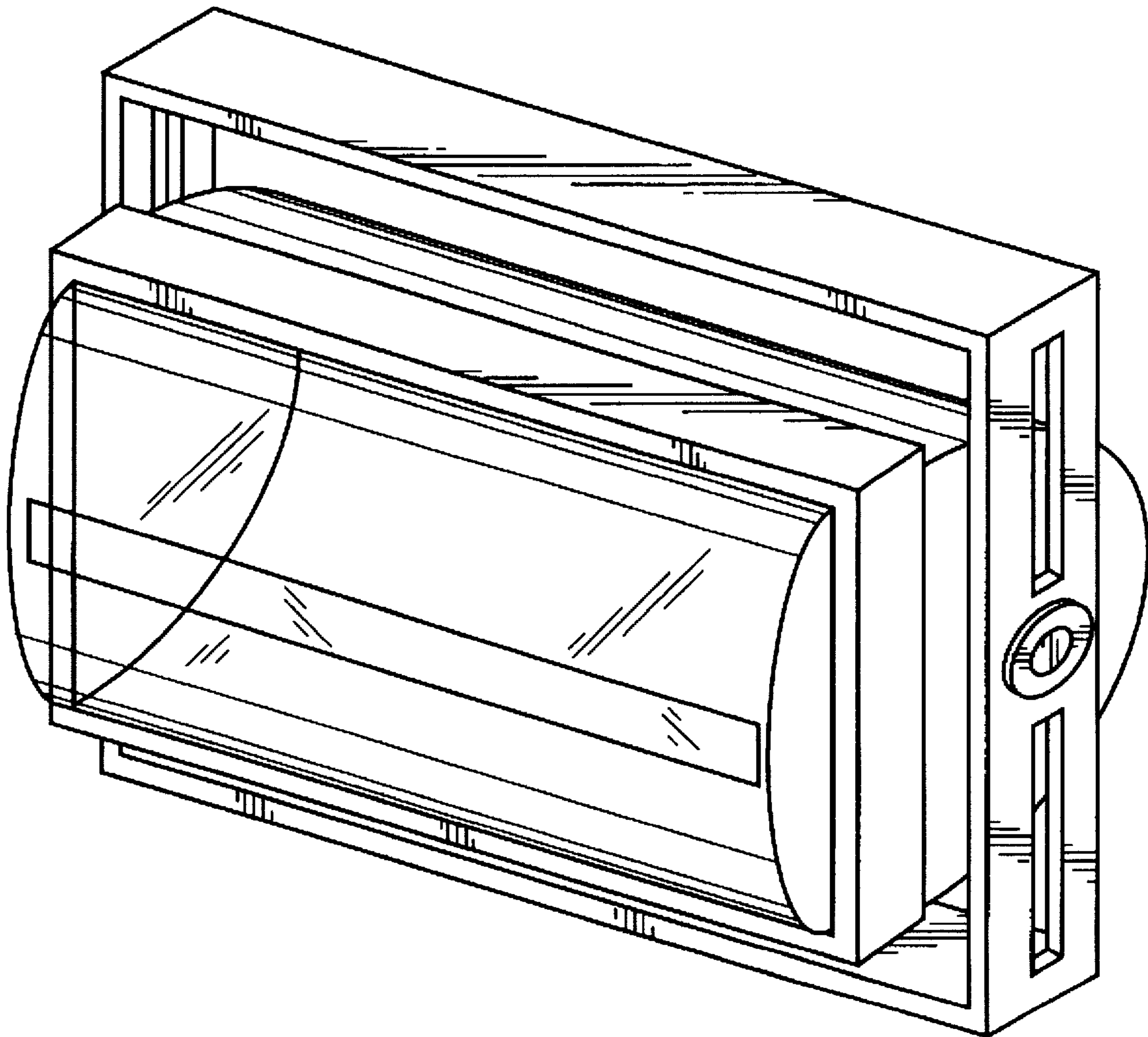
FIG. 4 is a right side view thereof;

FIG. 5 is a left side view thereof;

FIG. 6 is a top view thereof; and,

FIG. 7 is a bottom view thereof.

1 Claim, 4 Drawing Sheets



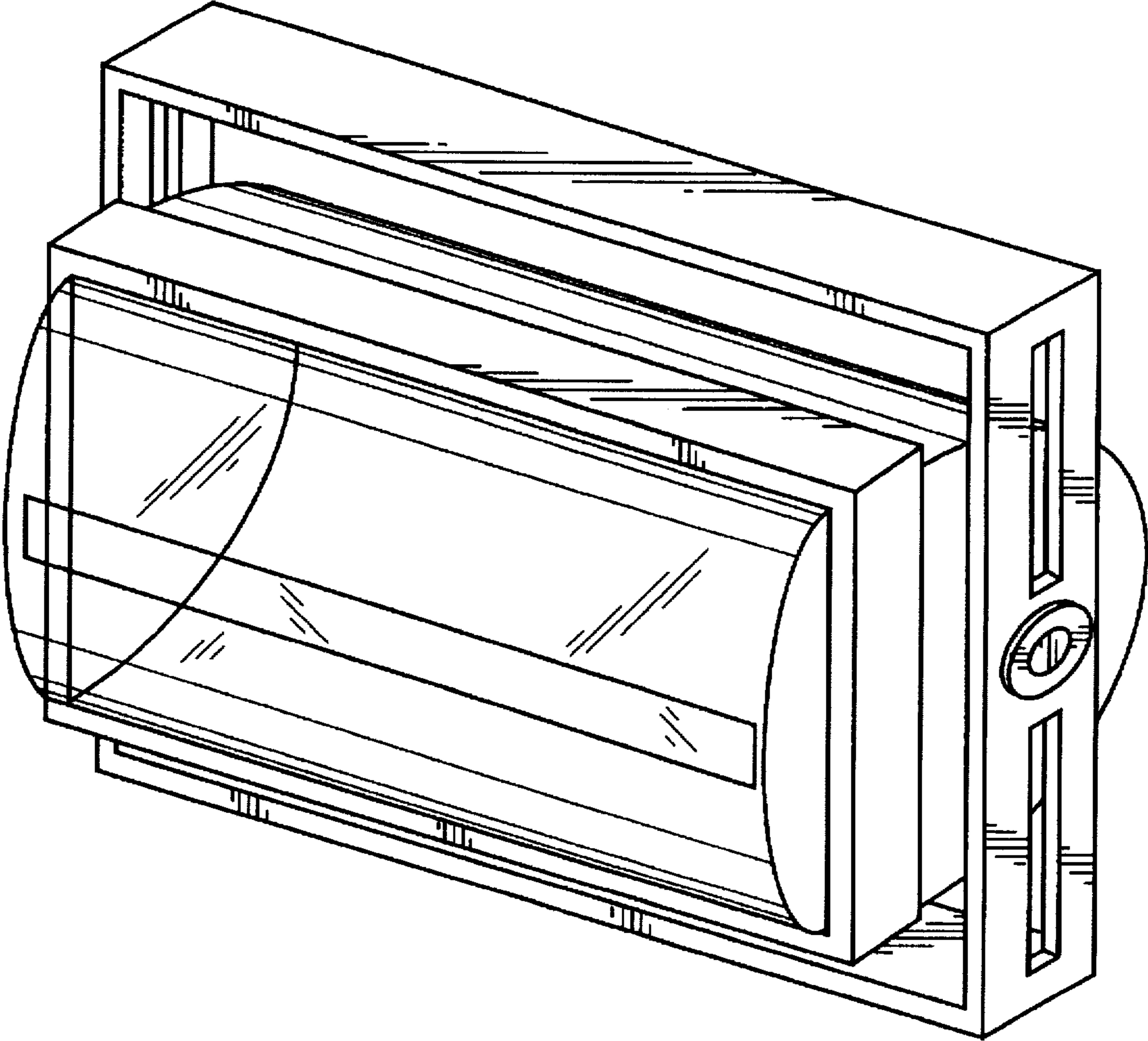


FIG. 1

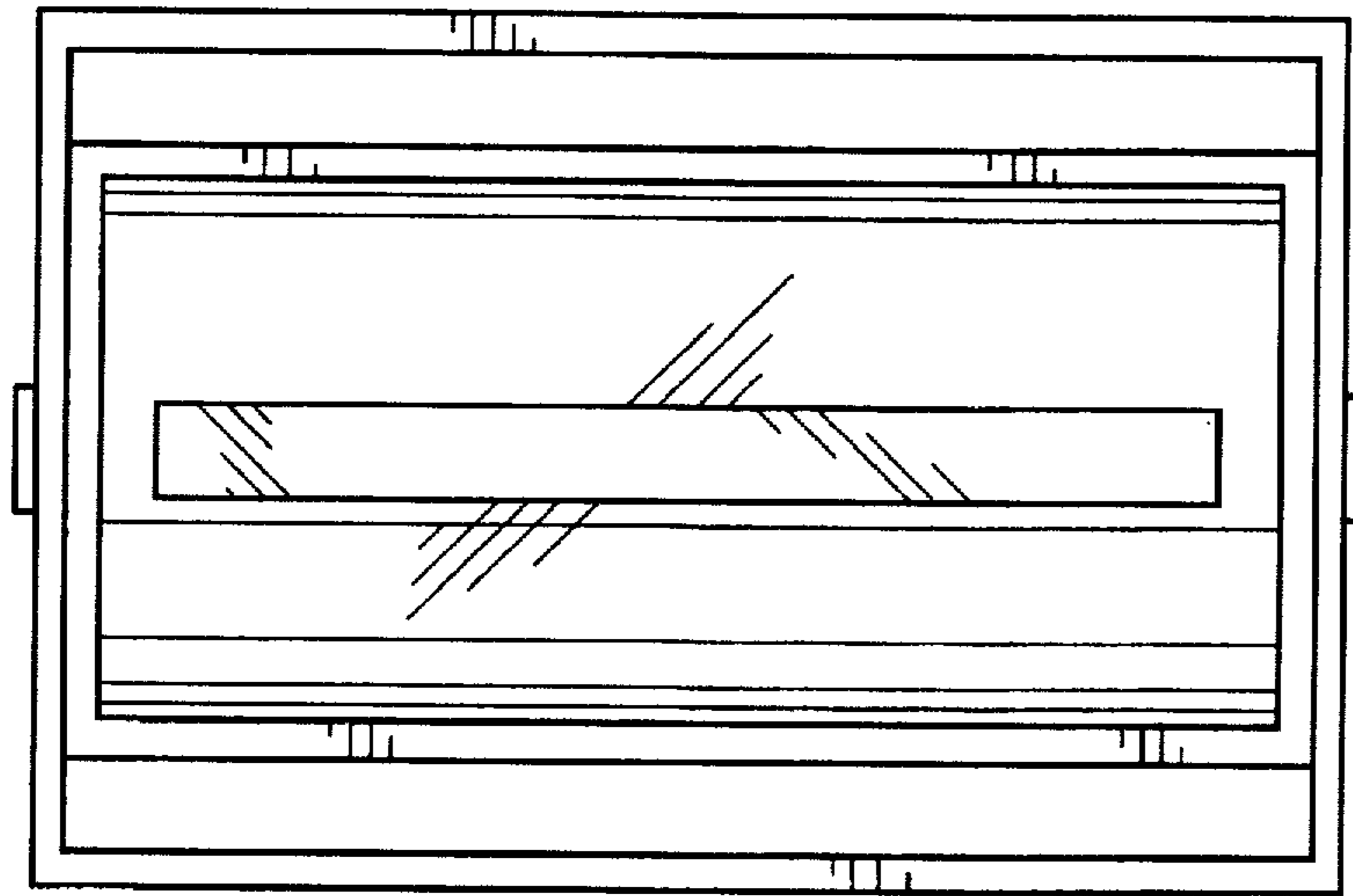


FIG. 2

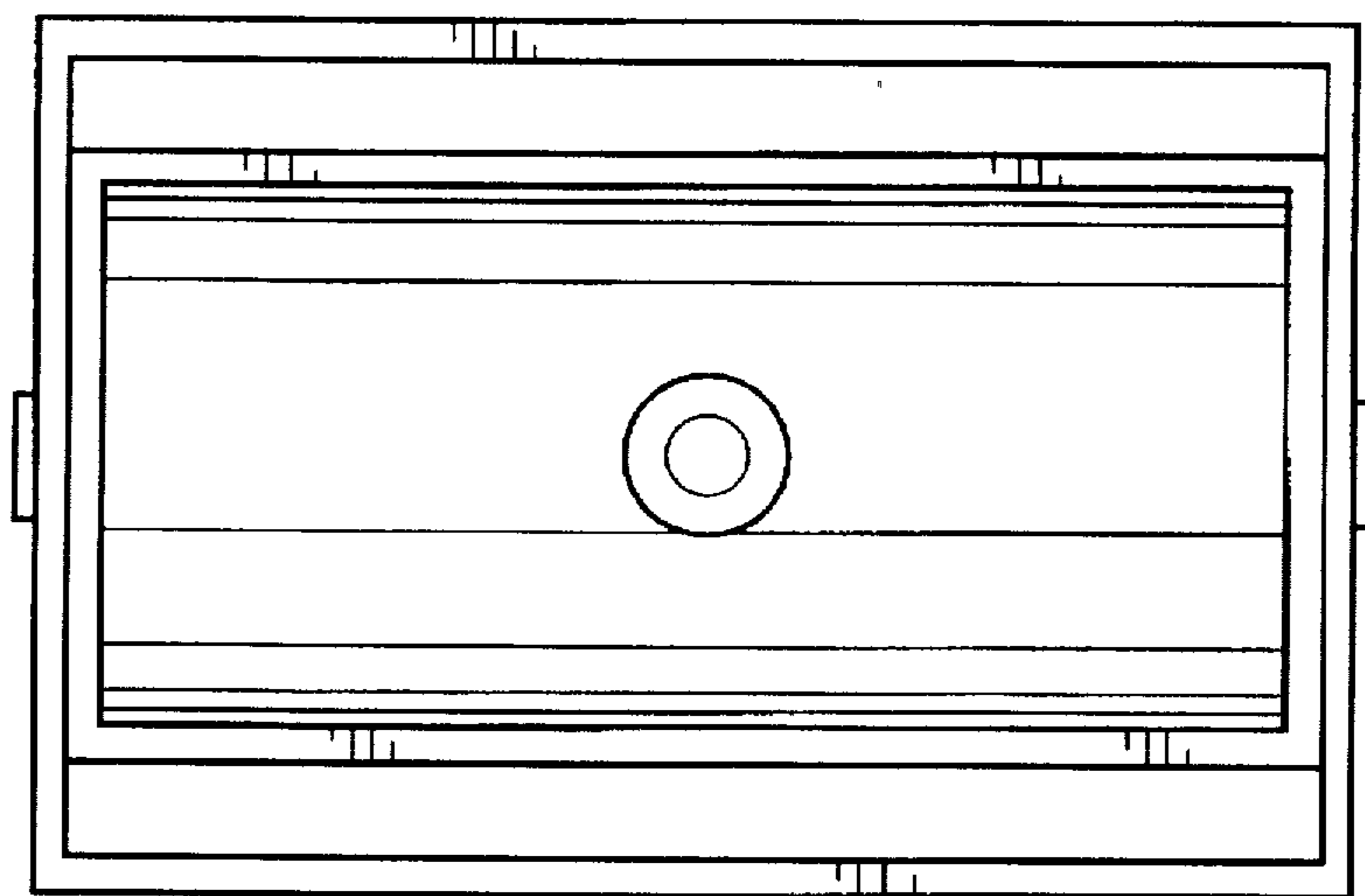


FIG. 3

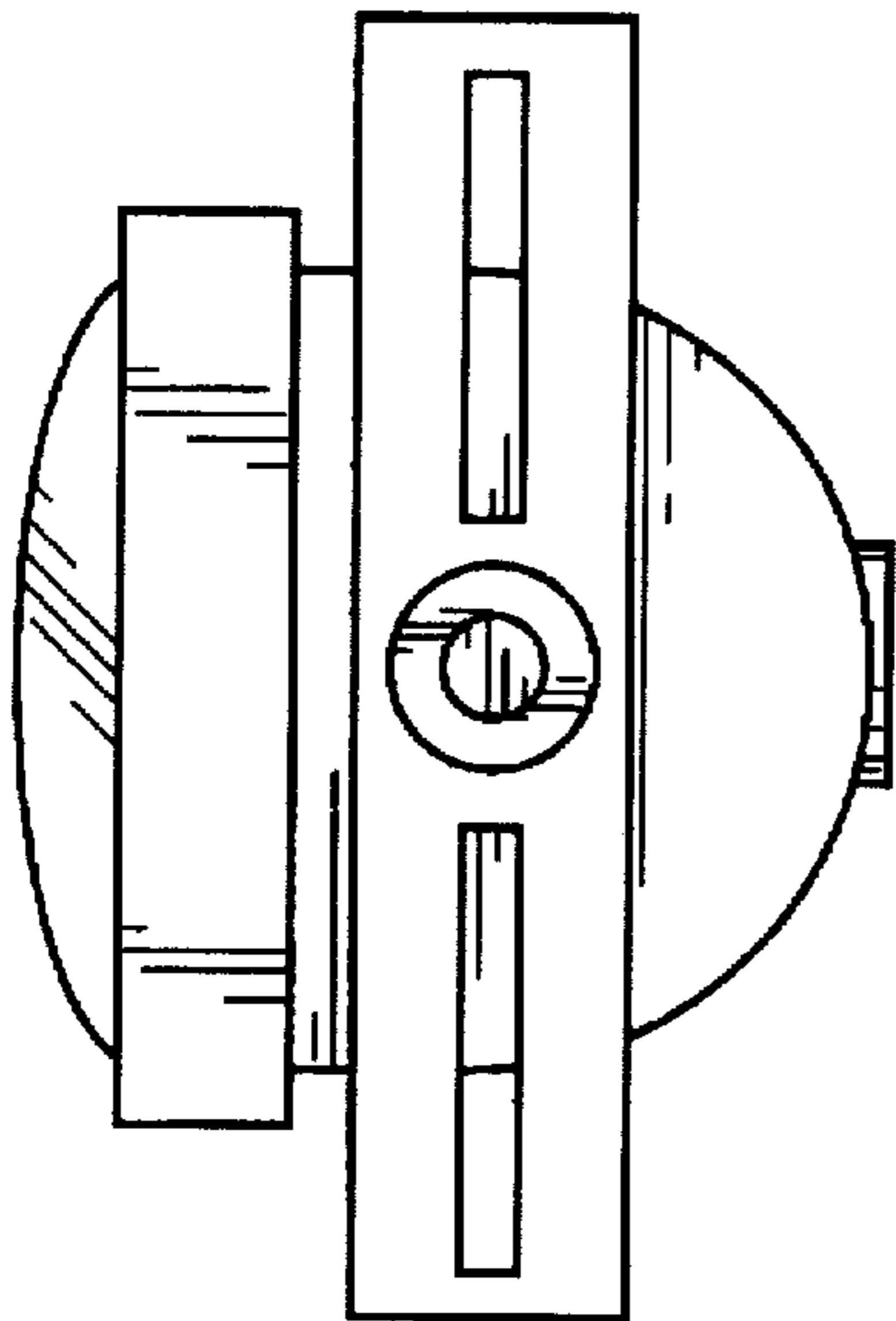


FIG. 4

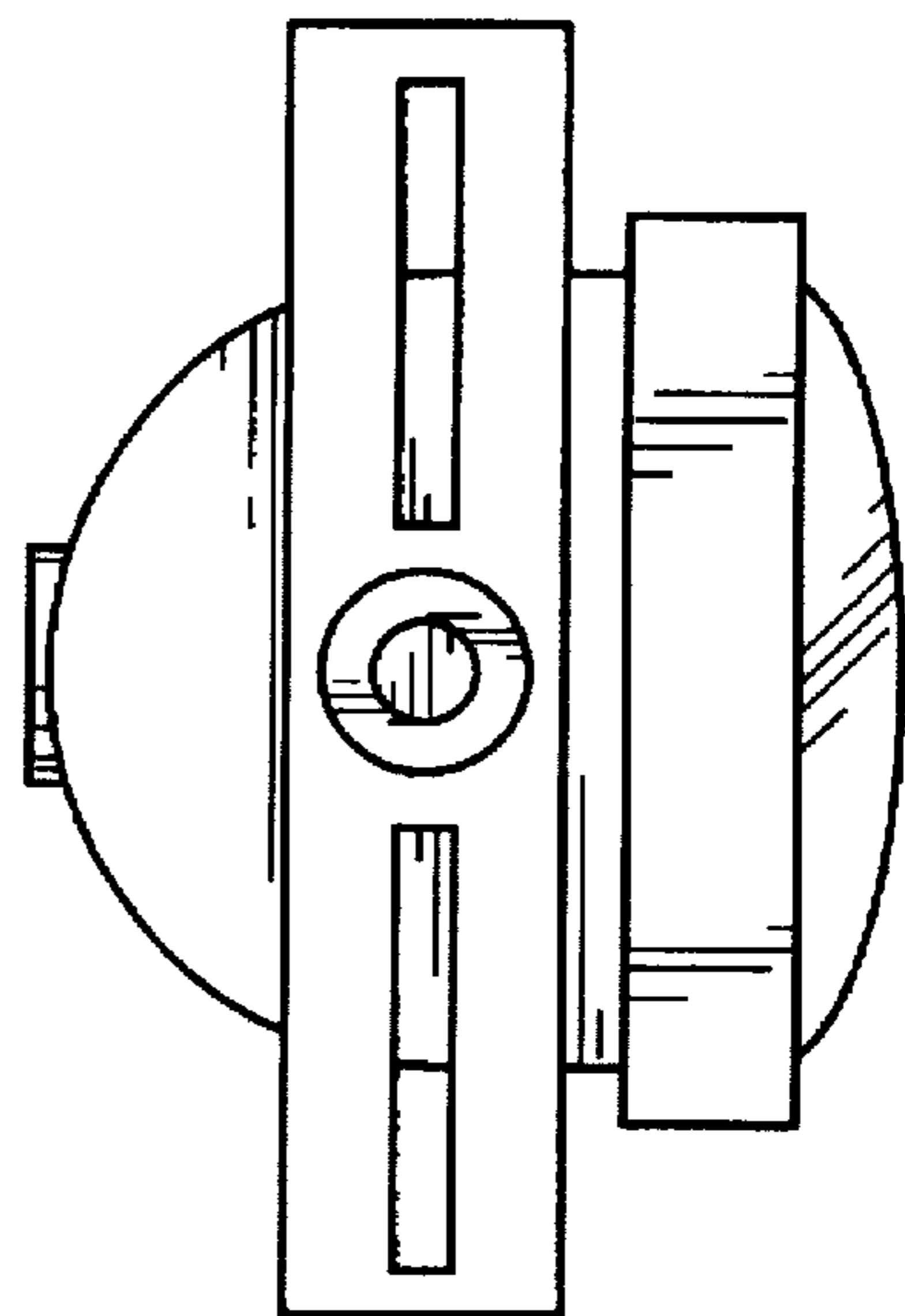


FIG. 5

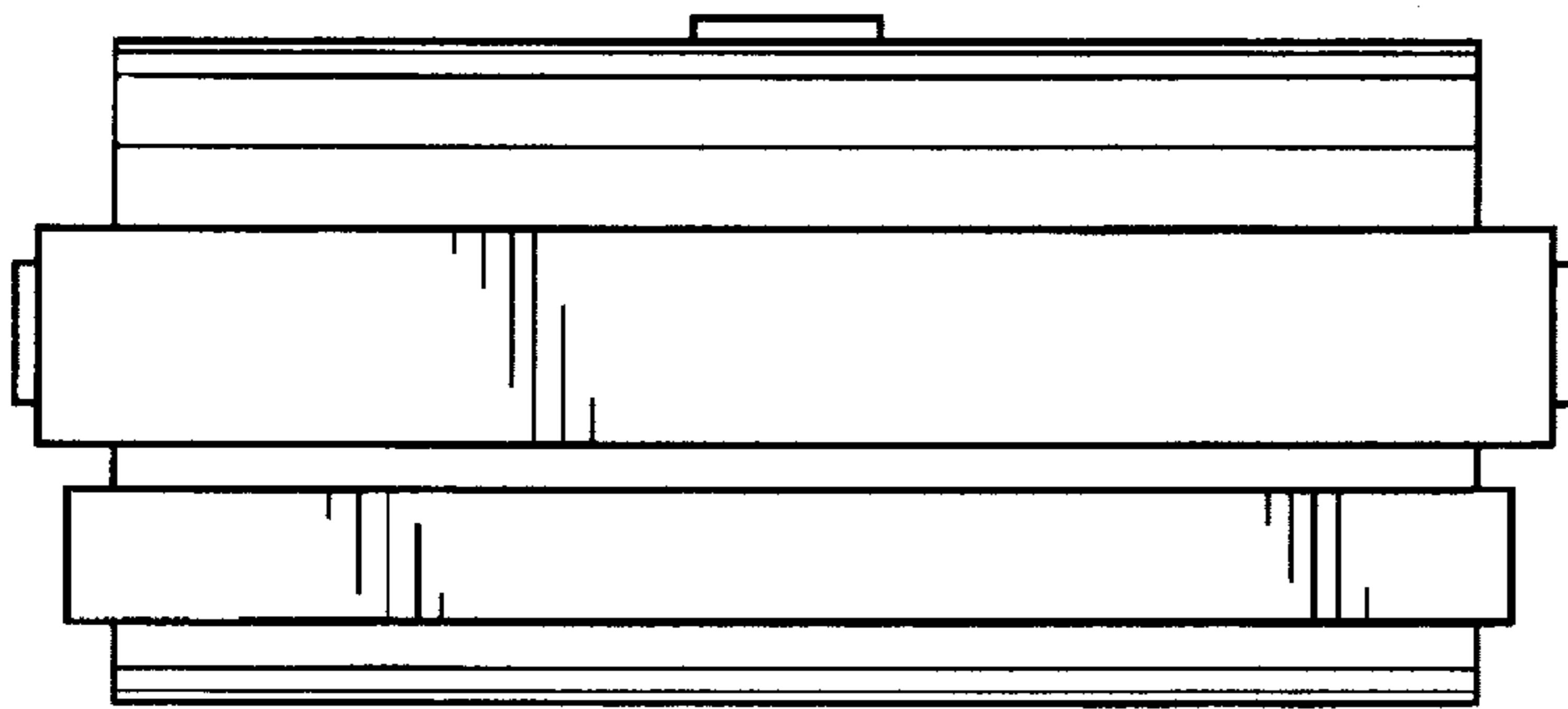


FIG. 6

FIG. 7

