



US00D384756S

United States Patent [19] Wilmotte

[11] Patent Number: **Des. 384,756**
[45] Date of Patent: ****Oct. 7, 1997**

[54] **PYLON**

[76] Inventor: **Jean-Michel Wilmotte**, Governor Sarl
68, rue du Faubourg, Saint Antoine,
75012 Paris, France

[**] Term: **14 Years**

[21] Appl. No.: **52,129**

[22] Filed: **Mar. 25, 1996**

Related U.S. Application Data

[63] Continuation of Ser. No. 44,416, Sep. 25, 1995, abandoned.

[30] Foreign Application Priority Data

Mar. 23, 1995 [FR] France 95 1745

[51] LOC (6) Cl. **25-01**

[52] U.S. Cl. **D25/126**

[58] Field of Search D25/127; 52/720.1,
52/726.4, 736.1, 736.2, 736.4

[56] References Cited

U.S. PATENT DOCUMENTS

1,846,682 2/1932 Hamel 52/736.4
5,081,804 1/1992 Andersson et al. 52/736.4

Primary Examiner—Doris Clark
Attorney, Agent, or Firm—Larson and Taylor

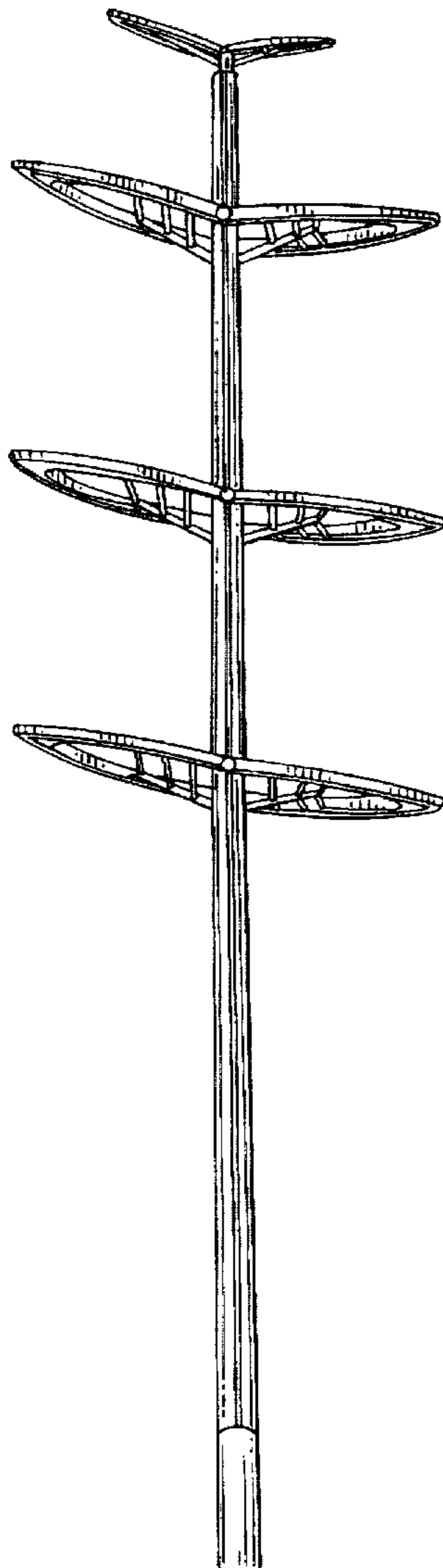
[57] CLAIM

The ornamental design for a pylon, as shown and described.

DESCRIPTION

FIG. 1 is a front elevational view of a pylon showing my new design, with the rear view being identical;
FIG. 2 is a right side elevational view thereof, the other side being identical;
FIG. 3 is a top plan view thereof; and,
FIG. 4 is a perspective view thereof.

1 Claim, 2 Drawing Sheets



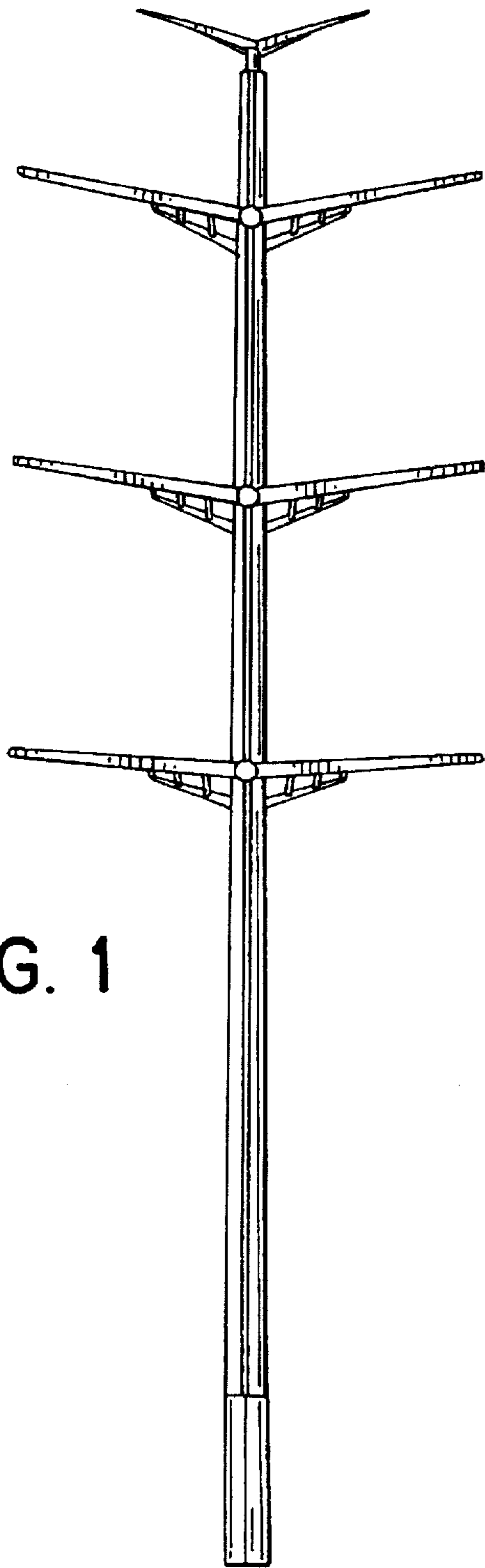


FIG. 1

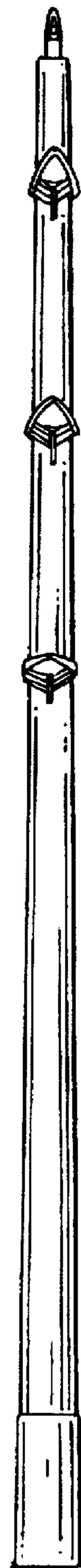


FIG. 2



FIG. 3

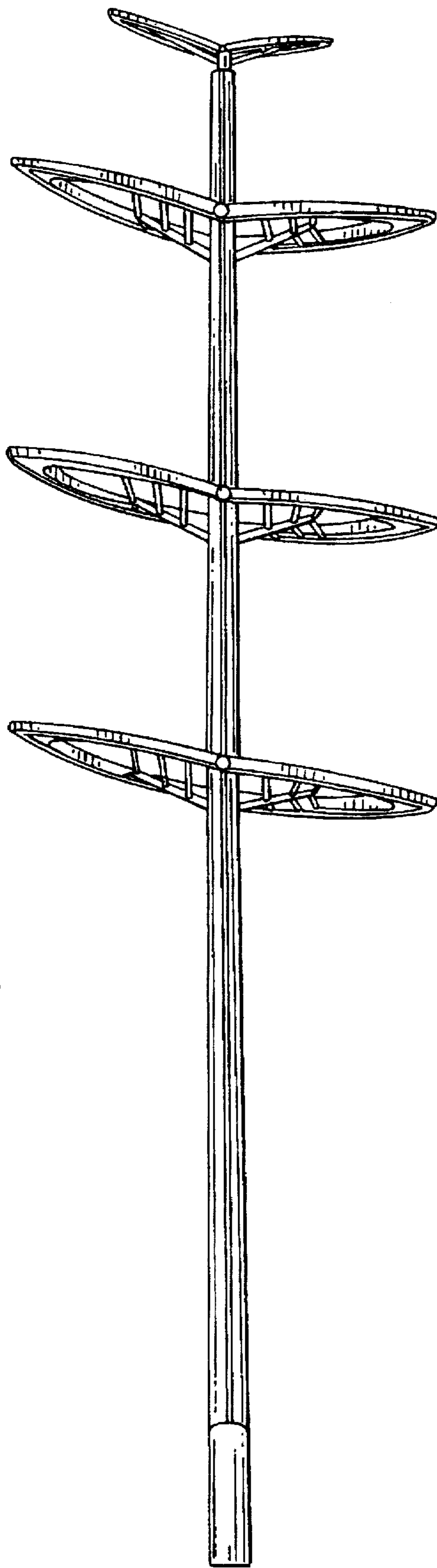


FIG. 4

UNITED STATES PATENT AND TRADEMARK OFFICE
CERTIFICATE OF CORRECTION

PATENT NO. : Des 384,756
DATED : October 7, 1997
INVENTOR(S) : Wilmotte

Page 1 of 1

It is certified that error appears in the above-identified patent and that said Letters Patent is hereby corrected as shown below:

Title page,
Insert -- Item [73], Assignee, **Electricite De France**
Paris, France --

Signed and Sealed this

Twenty-third Day of April, 2002

Attest:



Attesting Officer

JAMES E. ROGAN
Director of the United States Patent and Trademark Office