

US00D384752S

United States Patent [19]

Scherer et al.

[11] Patent Number: **Des. 384,752**

[45] Date of Patent: ****Oct. 7, 1997**

[54] SAFETY GATE

[75] Inventors: **Craig S. Scherer, Wilmette; David C. Brown, Chicago; Michael C. Thuma, Desplaines, all of Ill.**

[73] Assignee: **BRK Brands, Inc., Aurora, Ill.**

[**] Term: **14 Years**

[21] Appl. No.: **57,161**

[22] Filed: **Jul. 17, 1996**

[51] LOC (6) Cl. **25-02**

[52] U.S. Cl. **D25/50**

[58] Field of Search **D25/50; 49/55, 49/50, 465; 256/24**

1,683,204 9/1928 Mills .
 1,735,458 11/1929 Gresak .
 1,752,683 4/1930 Meagher .
 1,798,600 3/1931 Gooch .
 1,849,024 3/1932 McKee .
 1,961,781 1/1934 Reagle .
 2,199,851 5/1940 Culver .
 2,295,194 9/1942 Atkinson .
 2,348,561 5/1944 Mutch .
 2,490,612 12/1949 Ballard .
 2,511,372 6/1950 Price .
 2,520,664 8/1950 Turner .
 2,559,066 7/1951 Diefenbronn .
 2,563,446 7/1951 Abel .
 2,574,807 9/1951 Woodruff .
 2,577,034 4/1951 Quinlan .
 2,581,857 1/1952 Harrison .
 2,662,242 12/1953 Hess .

(List continued on next page.)

[56] References Cited

U.S. PATENT DOCUMENTS

139,232 5/1873 Boughton .
 141,677 8/1873 Tuttle .
 235,660 12/1880 Ward .
 D. 301,622 6/1989 Kujawski D25/50
 334,676 1/1886 Paulus et al. .
 D. 341,207 11/1993 Freese et al. .
 D. 348,524 7/1994 Young et al. .
 D. 355,261 2/1995 Abrams et al. .
 367,162 7/1887 Peterson .
 498,574 5/1893 Ryan .
 604,411 5/1898 Motley .
 618,725 4/1899 Harwood et al. .
 646,120 3/1900 Gallagher et al. .
 865,404 9/1907 Laurent .
 903,564 11/1908 Haben .
 905,142 12/1908 Bond .
 942,502 12/1909 Jablonovsky .
 1,148,513 8/1915 Hoyt .
 1,238,294 8/1917 Hertz .
 1,241,660 10/1917 Roberts .
 1,332,924 3/1920 Sikorovsky .
 1,335,583 3/1920 Karro .
 1,416,651 5/1922 Lanfair .
 1,438,202 12/1922 Wieland .
 1,450,920 4/1923 Hutchinson .
 1,465,443 8/1923 Josler .
 1,515,454 11/1924 Wilson .

Primary Examiner—Doris Clark
Attorney, Agent, or Firm—Dressler, Rockey, Milnamow & Katz, Ltd.

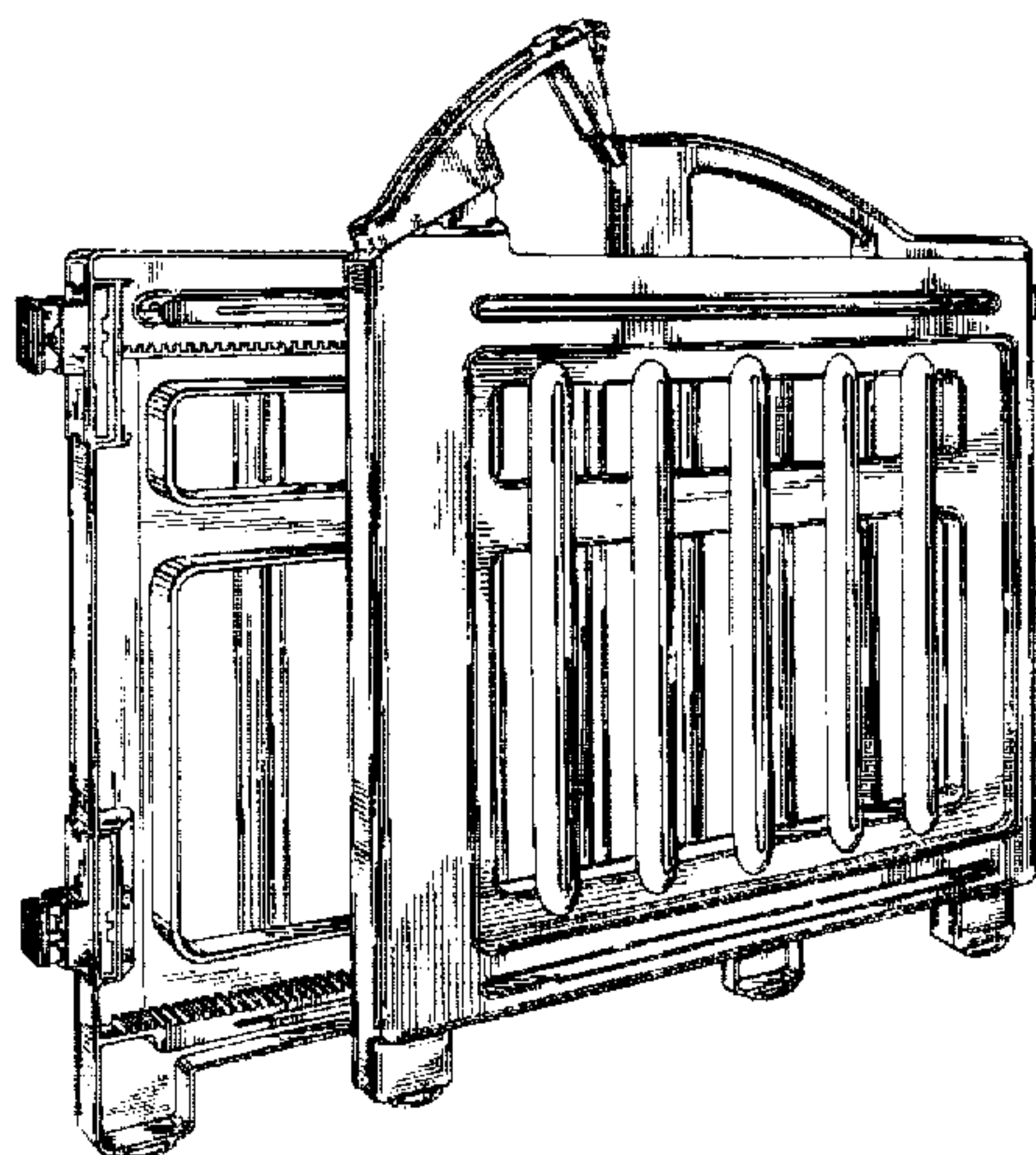
[57] CLAIM

The ornamental design for a safety gate, as shown and described.

DESCRIPTION

FIG. 1 is a front perspective view of a safety gate, illustrated in the retracted state, embodying the principles of the present invention;
 FIG. 2 is a rear perspective view of a safety gate, illustrated in the retracted state;
 FIG. 3 is a top view of the safety gate of FIG. 1;
 FIG. 4 is a front view of the safety gate of FIG. 1;
 FIG. 5 is a bottom view of the safety gate of FIG. 1;
 FIG. 6 is a side view of the safety gate of FIG. 1, as viewed from the right hand side of FIG. 1;
 FIG. 7 is a side view of the safety gate of FIG. 1, as viewed from the left hand side of FIG. 1;
 FIG. 8 is a rear view of the safety gate of FIG. 1; and,
 FIG. 9 is a front perspective view of the safety gate of FIG. 1, with the gate illustrated in the extended state.

1 Claim, 6 Drawing Sheets



U.S. PATENT DOCUMENTS						
2,756,469	7/1956	Cattermole et al. .	4,465,262	8/1984	Itri et al. .	
2,803,471	8/1957	Roth .	4,470,277	9/1984	Uyeda .	
2,851,746	9/1958	McPhaden .	4,492,263	1/1985	Gebhard .	
2,896,277	7/1959	Halligan .	4,566,222	1/1986	Hatvany .	
2,928,146	3/1960	Kuniholm .	4,573,285	3/1986	Jokel .	
2,982,353	5/1961	Luger .	4,583,715	4/1986	Wright .	
2,998,063	8/1961	Hafner .	4,607,455	8/1986	Bluem et al. .	
3,000,063	9/1961	Hoog .	4,611,431	9/1986	Lauro .	
3,120,032	2/1964	Burnette .	4,615,142	10/1986	Reeves .	
3,163,205	12/1964	Gottlieb .	4,628,635	12/1986	Maillard .	
3,216,482	11/1965	Lindholm .	4,643,318	2/1987	Kopp .	
3,420,003	1/1969	Cline .	4,671,012	6/1987	Merklinger et al. .	
3,431,966	3/1969	Injeski .	4,671,015	6/1987	Curry et al. .	
3,441,037	4/1969	Transeau .	4,677,791	7/1987	Larson et al. .	
3,461,511	8/1969	Perina .	4,685,247	8/1987	Alam .	
3,489,201	1/1970	Curry et al. .	4,702,036	10/1987	Johnson .	
3,543,977	12/1970	Lockridge .	4,777,765	10/1988	Johnson .	
3,545,135	12/1970	Lieber .	4,787,174	11/1988	Brown .	
3,571,999	3/1971	Downing .	4,831,777	5/1989	Johnson .	
3,638,284	2/1972	Baker .	4,846,246	7/1989	Stern .	
3,651,853	3/1972	Pedley .	4,848,030	7/1989	Bennett .	
3,680,260	8/1972	Bauer .	4,884,614	12/1989	Spurling .	
3,691,688	9/1972	Kaiserswerth .	4,938,154	7/1990	Watt .	
3,885,616	5/1975	Berkowitz .	4,944,117	7/1990	Gebhard et al. .	
3,906,671	9/1975	Maldonado .	4,968,071	11/1990	Stern .	
3,942,576	3/1976	Rickard .	5,052,461	10/1991	Stern .	
3,950,894	4/1976	DiMaio .	5,060,421	10/1991	Castelli .	
3,957,251	5/1976	McCracken .	5,117,585	6/1992	Andrisin .	
4,000,590	1/1977	Kordewick .	5,131,186	7/1992	Lamont .	
4,004,325	1/1977	Hubachek .	5,134,806	8/1992	Burkart .	
4,094,021	6/1978	Rapp .	5,199,753	4/1993	Presley .	
4,149,342	4/1979	Bowers .	5,217,265	6/1993	Lerner et al. .	
4,150,510	4/1979	Harrison et al. .	5,272,840	12/1993	Knoedler et al. .	
4,174,096	11/1979	Camapbell .	5,367,829	11/1994	Crossley et al. .	
4,325,533	4/1982	Tiletschke et al. .	5,396,732	3/1995	Anderson .	
4,367,819	1/1983	Lewis .	5,437,115	8/1995	Freese et al. .	
4,437,265	3/1984	Turro et al. .	5,442,881	8/1995	Asbach et al.	49/55

Fig. 1

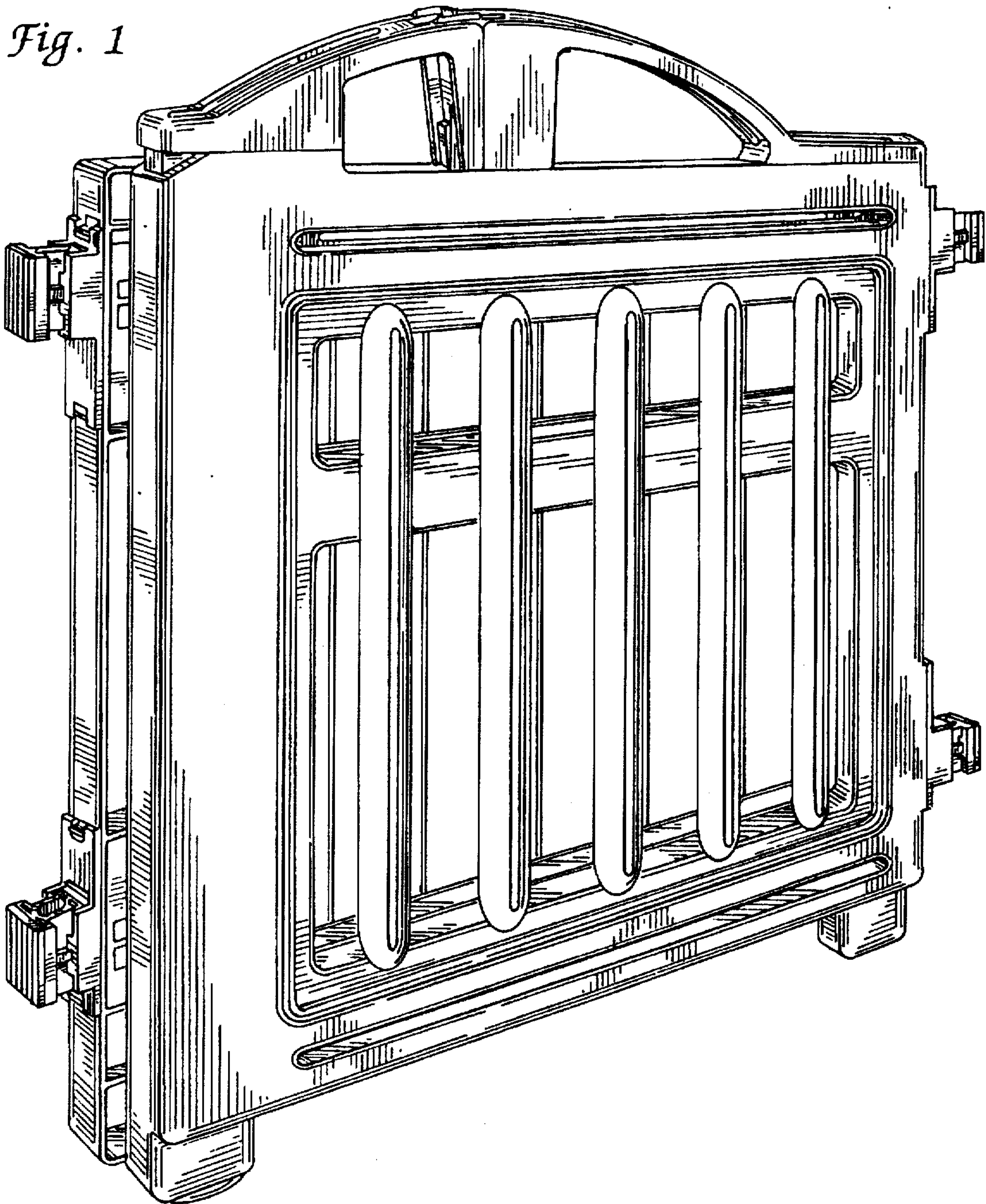


Fig. 2

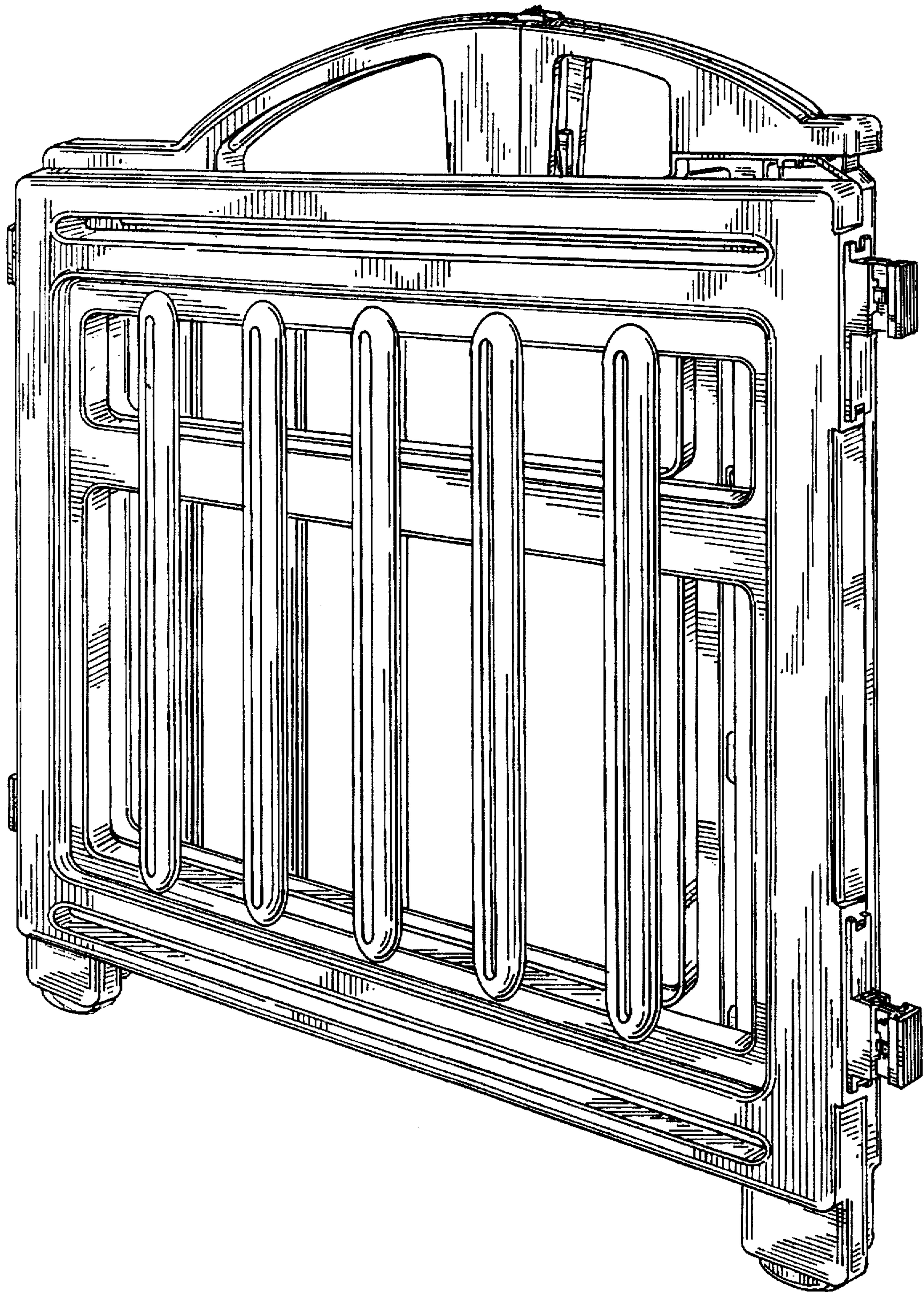


Fig. 3

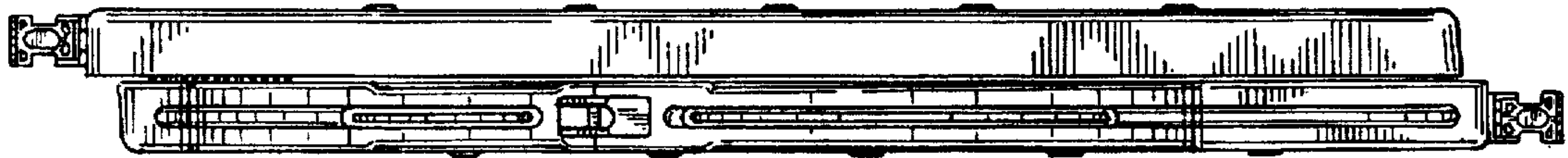


Fig. 4

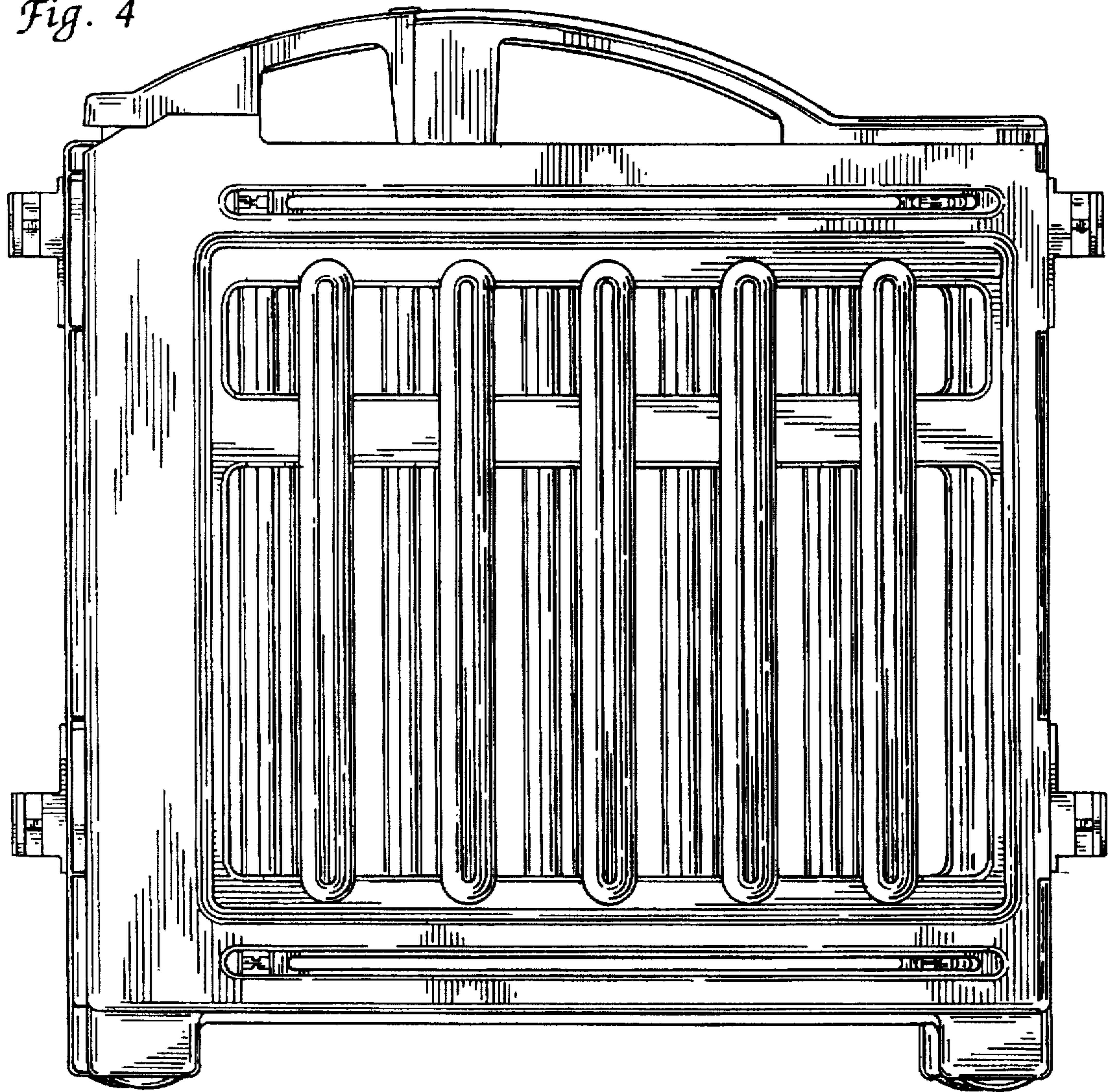


Fig. 5

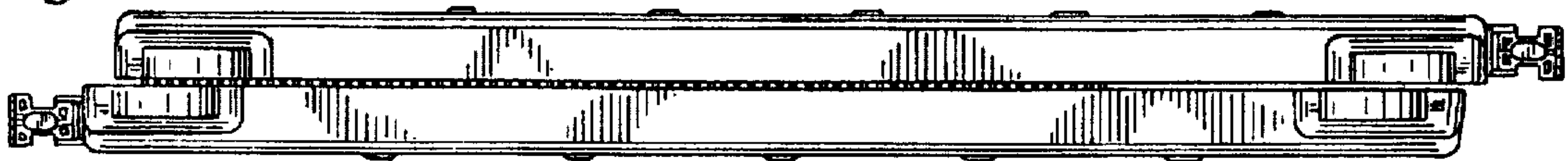


Fig. 6

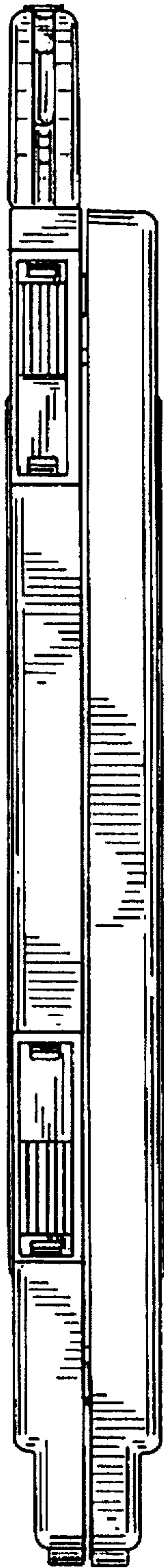


Fig. 7

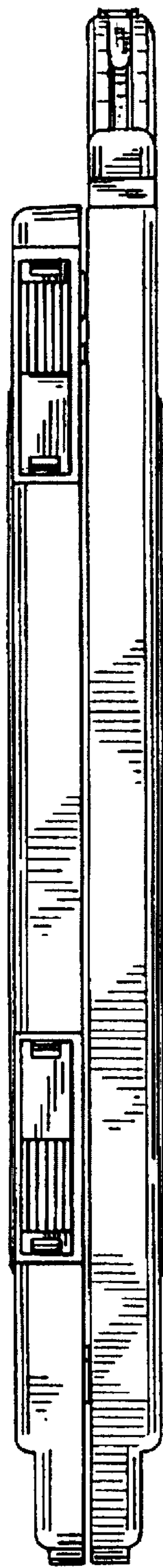


Fig. 8

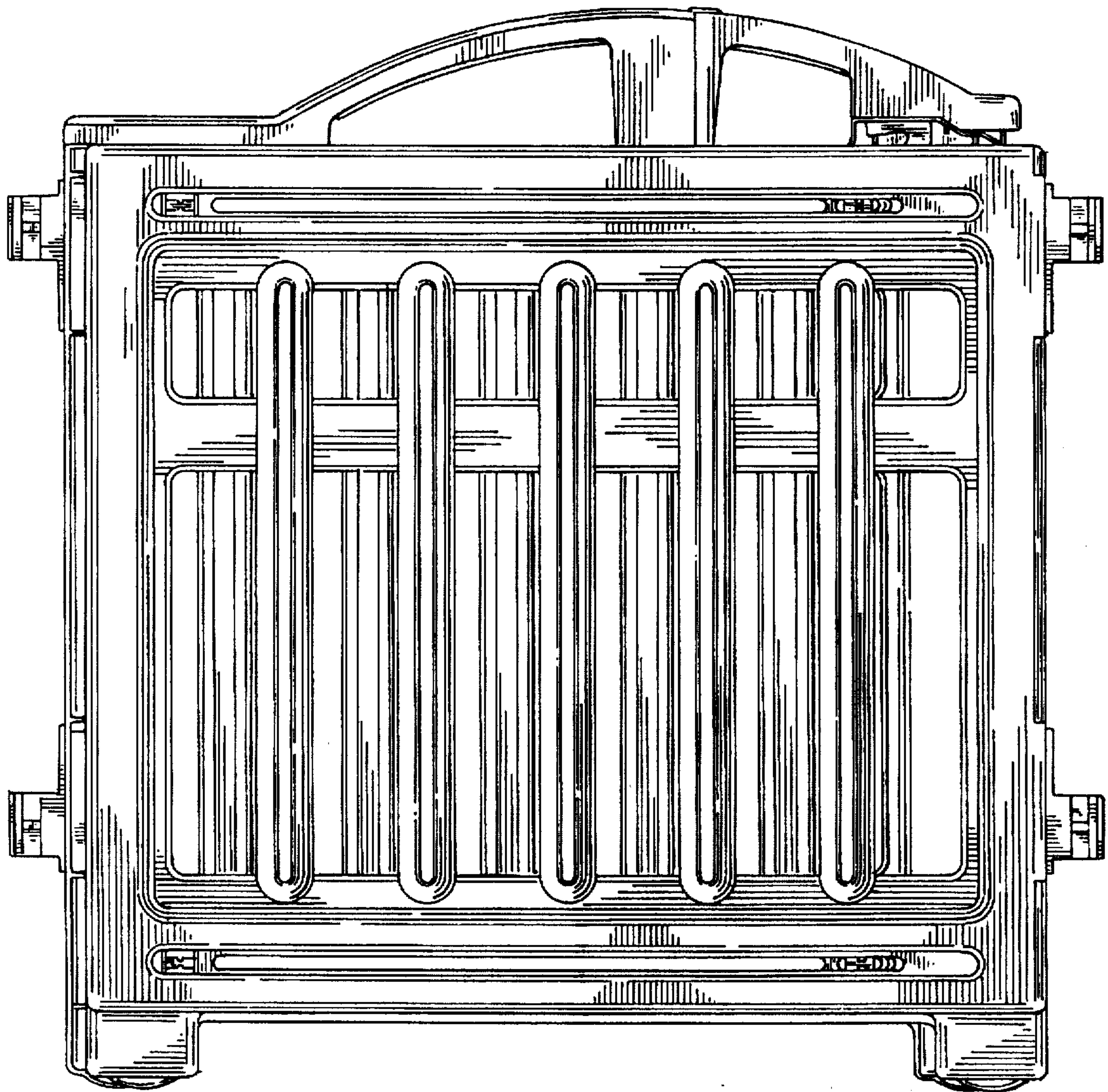


Fig. 9

