



US00D384746S

# United States Patent [19] Varn

[11] Patent Number: **Des. 384,746**  
[45] Date of Patent: **\*\*Oct. 7, 1997**

[54] **SOLE PLATE FOR A FOOT ORTHOSIS**

5,052,128 10/1991 Lonardo .  
5,088,479 2/1992 Detoro ..... 602/27  
5,298,013 3/1994 Lonardo .  
5,454,382 10/1995 Tariah et al. .... 602/23 X

[75] Inventor: **Harold T. Varn**, Lawrenceville, Ga.

[73] Assignee: **Restorative Care of America Incorporated**, Clearwater, Fla.

*Primary Examiner*—Stella Reid  
*Attorney, Agent, or Firm*—Zarley, McKee, Thomte, Voorhees, & Sease

[\*\*] Term: **14 Years**

[21] Appl. No.: **33,072**

### [57] CLAIM

[22] Filed: **Jan. 4, 1995**

The ornamental design for a sole plate for a foot orthosis, as shown and described.

### Related U.S. Application Data

### DESCRIPTION

[63] Continuation-in-part of Ser. No. 324,244, Oct. 17, 1994, Pat. No. 5,569,173.

FIG. 1 is a perspective view of a sole plate for a foot orthosis, showing my new design;  
FIG. 2 is a top plan view thereof;  
FIG. 3 is a left end elevational view thereof;  
FIG. 4 is a side elevational view thereof, the opposite side elevational view being identical thereof;  
FIG. 5 is a bottom plan view thereof; and  
FIG. 6 is an enlarged fragmentary right end elevational view indicated by the line 6—6 in FIG. 3; and  
FIG. 7 is a right end elevational view thereof.

[51] LOC (6) Cl. .... **24-04**

[52] U.S. Cl. .... **D24/192; D24/190**

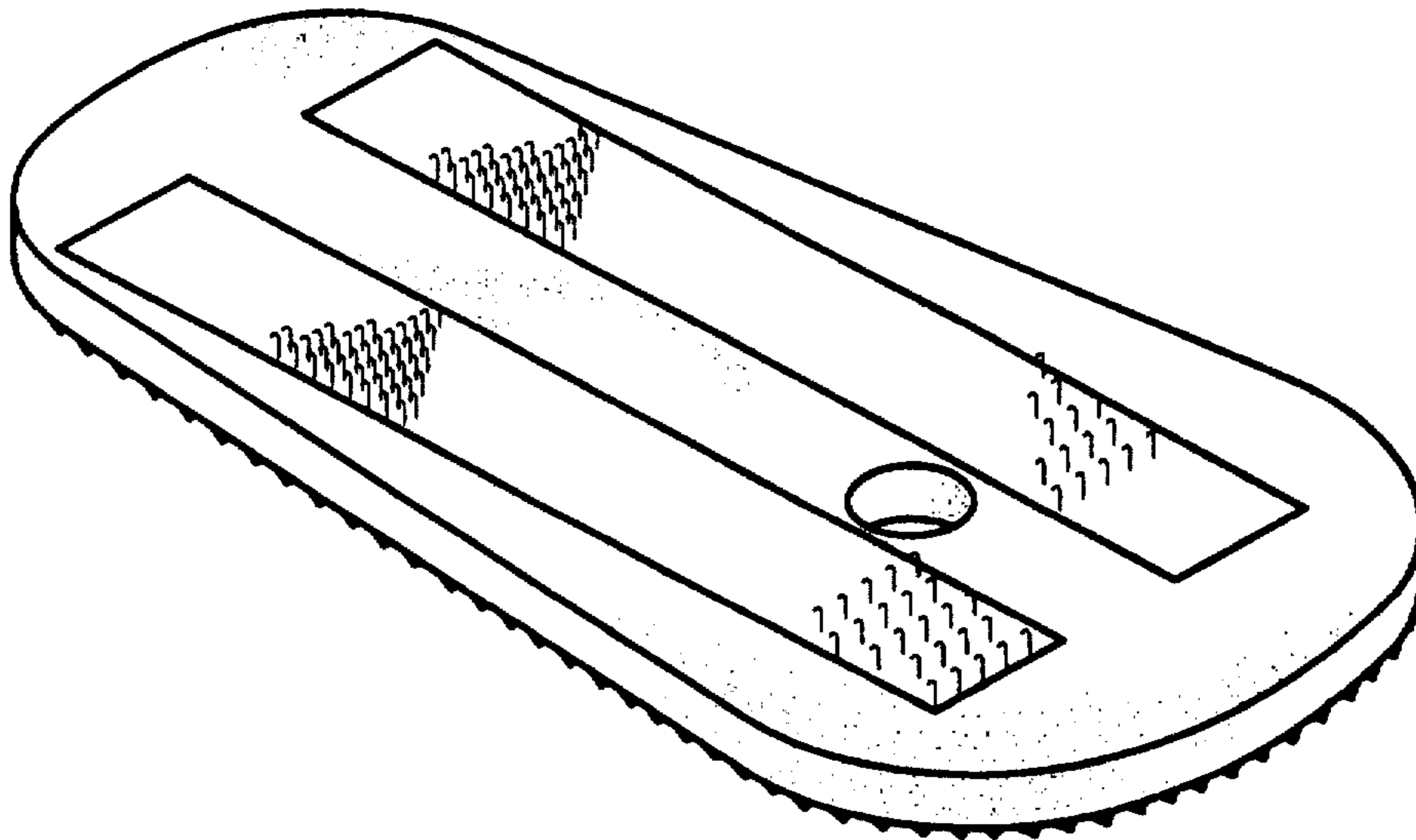
[58] Field of Search ..... D24/190, 192;  
602/23, 26, 27, 28, 16

### [56] References Cited

#### U.S. PATENT DOCUMENTS

D. 337,876 8/1993 Kilbey ..... D24/192  
D. 338,067 8/1993 Luger et al. .... D24/190

**1 Claim, 2 Drawing Sheets**



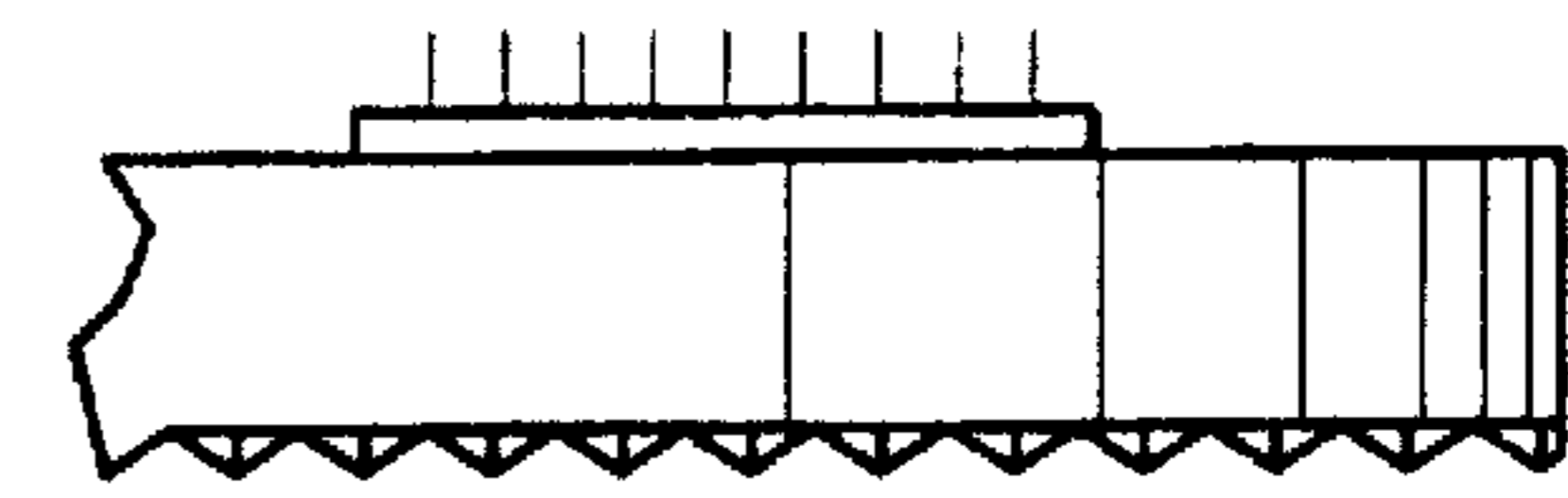
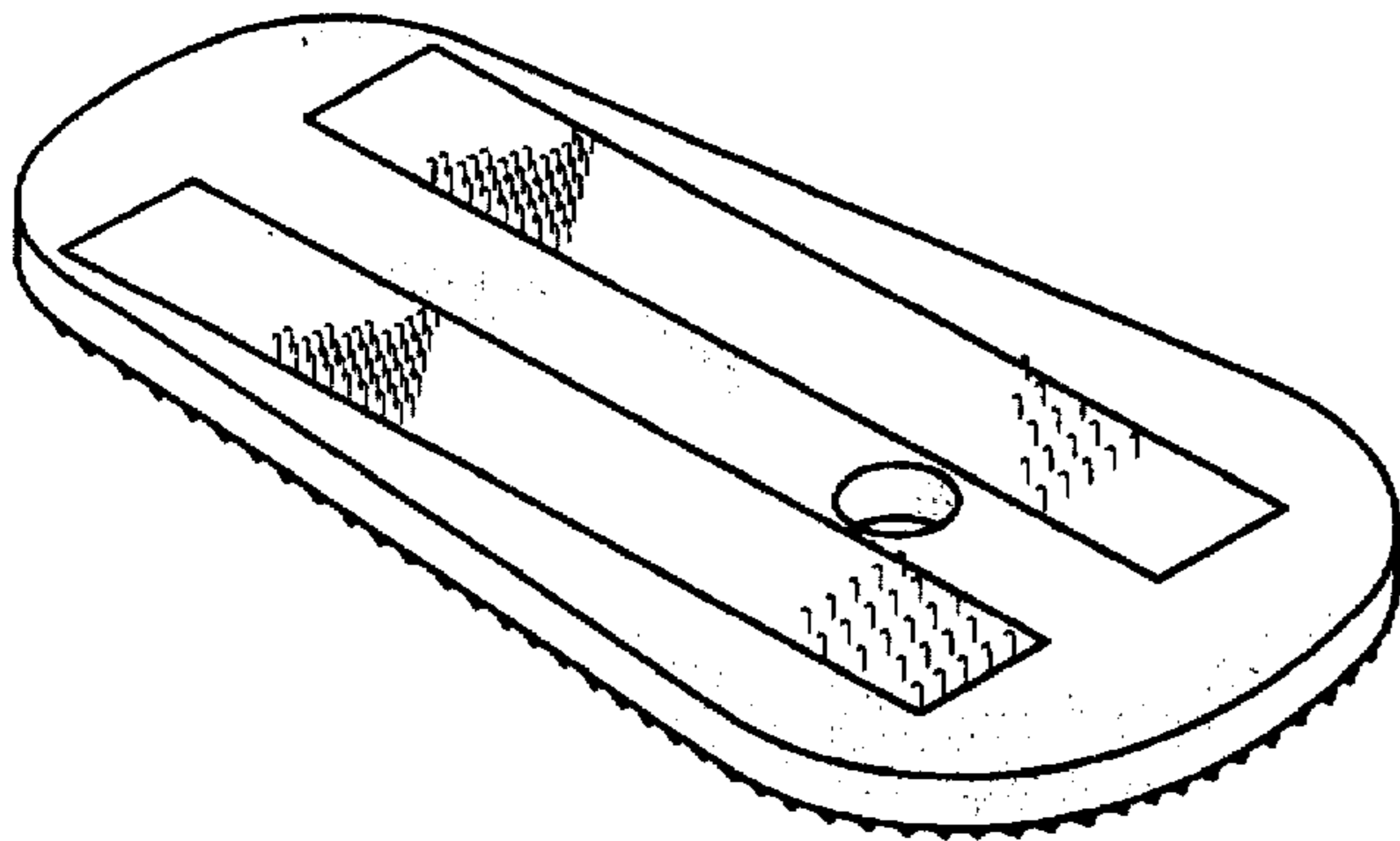


Fig. 6

Fig. 1

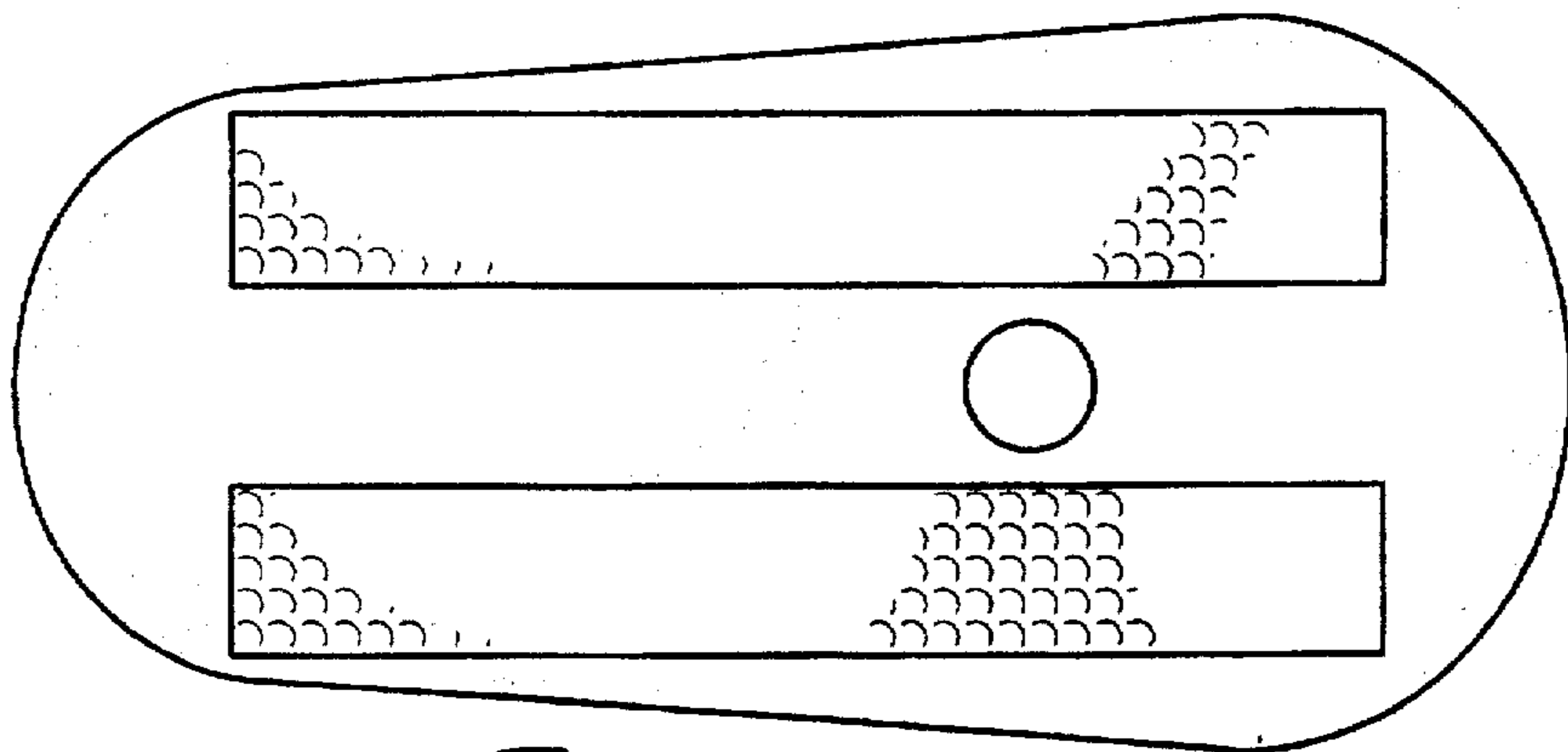


Fig. 2

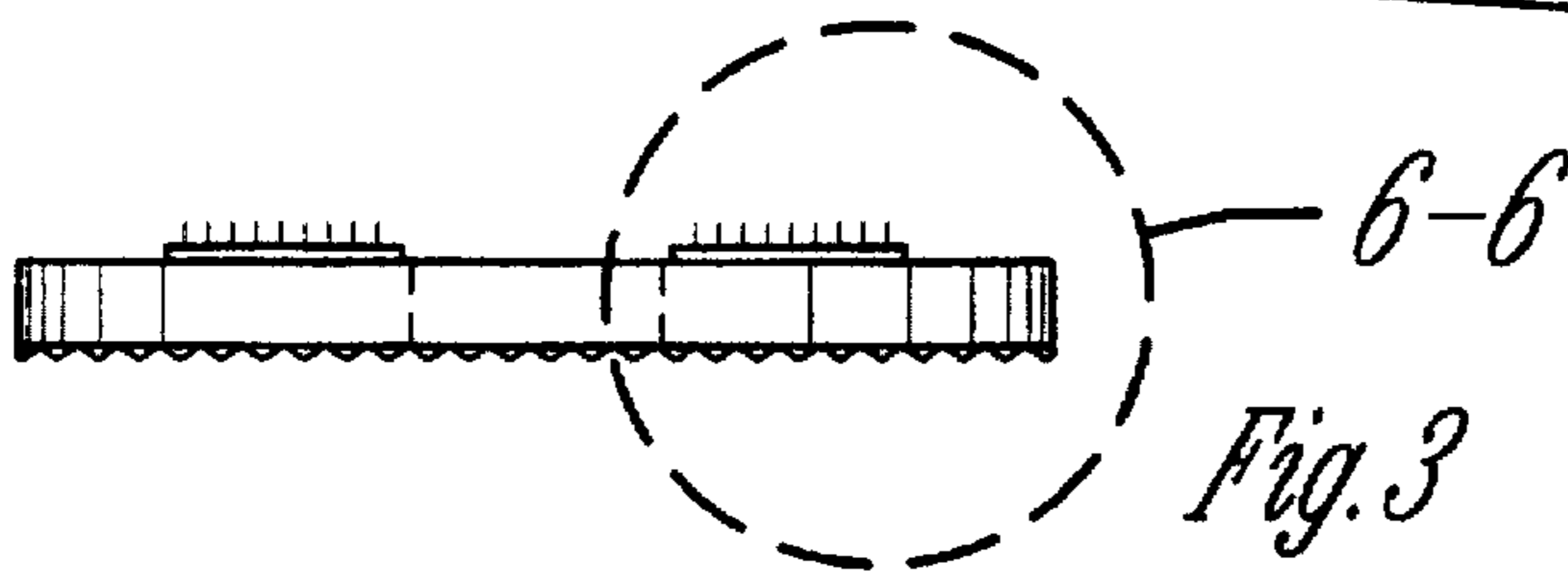


Fig. 3



Fig. 4

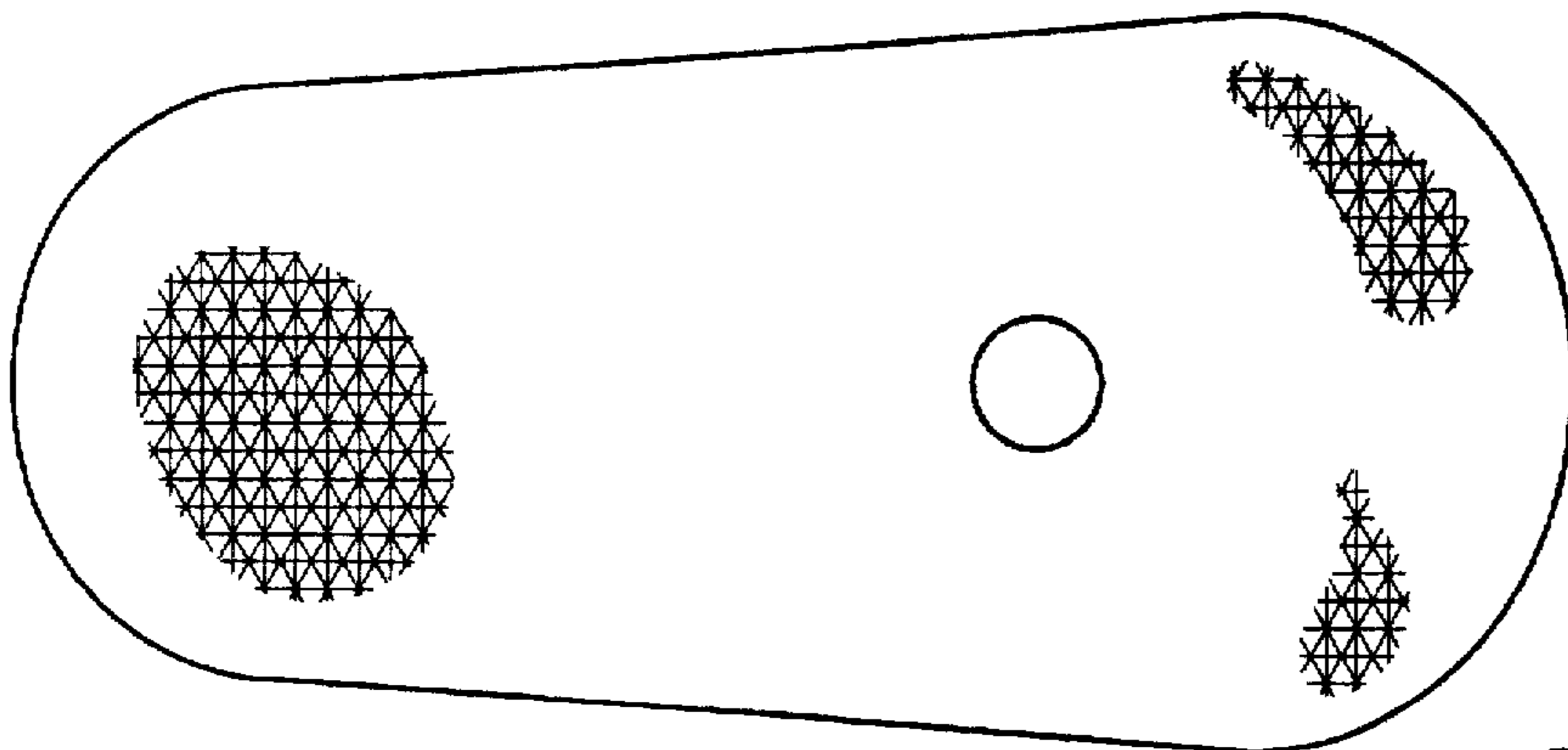


Fig. 5



*Fig. 7*