



US00D384737S

United States Patent [19] Gee, II

[11] Patent Number: **Des. 384,737**
[45] Date of Patent: ****Oct. 7, 1997**

[54] **COMBINED CEILING FAN AND LIGHT
FIXTURE**

D. 372,774 8/1996 Holbrook D23/377
D. 376,004 11/1996 Tsuji D23/385
5,462,412 10/1995 Scofield et al. 416/5

[75] Inventor: **Jack Warren Gee, II**, Memphis, Tenn.

OTHER PUBLICATIONS

[73] Assignee: **Hunter Fan Company**, Memphis, Tenn.

Casablanca Fan Co. Cat., p. 20, Ceiling Fan A, middle right side of page.

[**] Term: **14 Years**

Hunter Fan Co. Cat., p. 49, Ceiling Fan B, top left side of page.

[21] Appl. No.: **52,247**

Primary Examiner—Lisa Lichtenstein

[22] Filed: **Mar. 26, 1996**

Attorney, Agent, or Firm—Baker, Donelson, Bearman & Caldwell

[51] **LOC (6) Cl.** **23-04**

[57] CLAIM

[52] **U.S. Cl.** **D23/377; D23/379; D23/385; D23/413**

The ornamental design for a combined ceiling fan and light fixture, as shown.

[58] **Field of Search** D23/377, 379, D23/385, 411, 413; 416/5; D26/81-86, 88, 59, 51, 72; 392/364; 362/96

DESCRIPTION

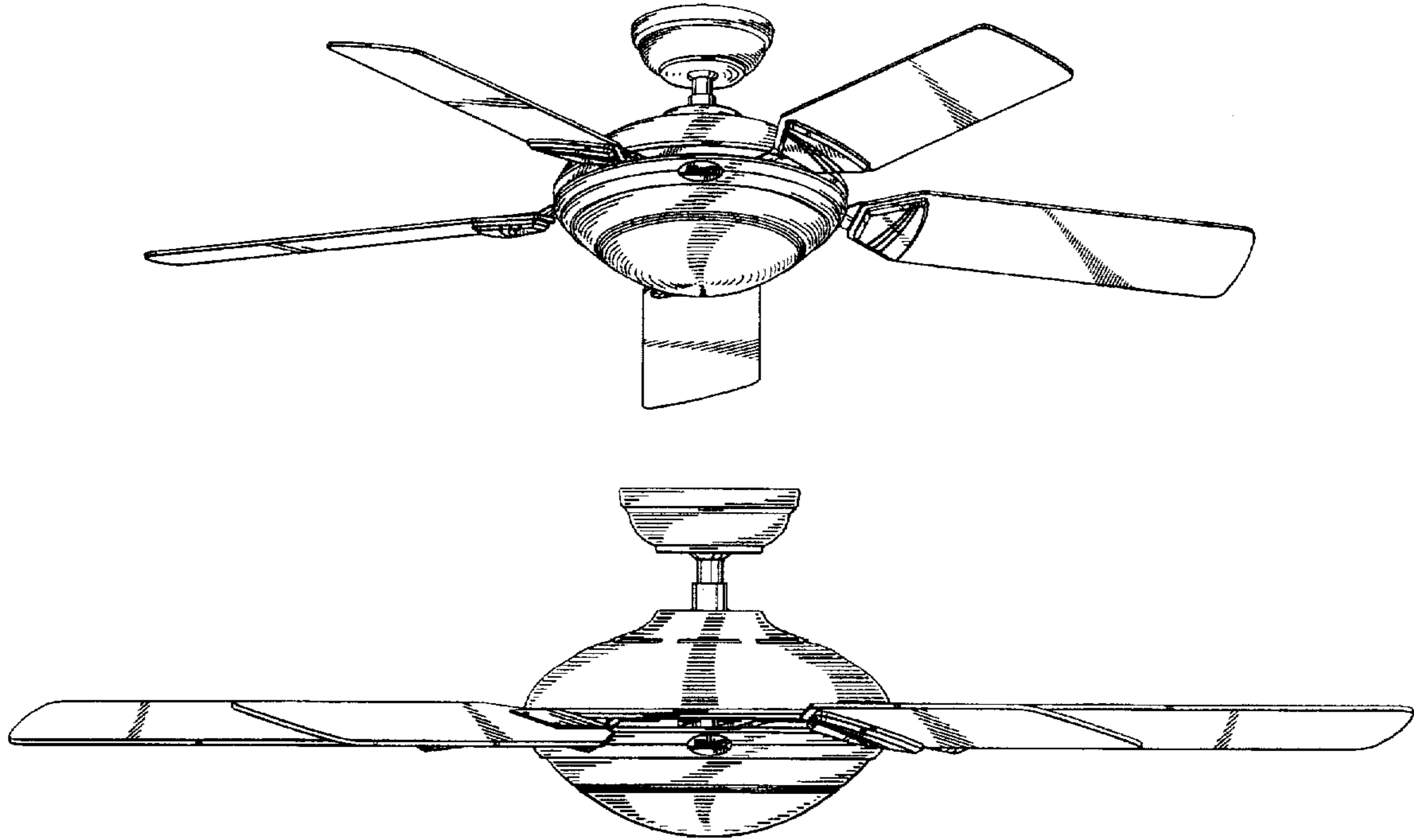
[56] References Cited

U.S. PATENT DOCUMENTS

D. 348,729 7/1994 Mason D23/411
D. 358,877 5/1995 Tsuji D23/385
D. 361,377 8/1995 Tsuji D23/377
D. 366,111 1/1996 Di Pasquale D23/411
D. 369,405 4/1996 Holbrook D23/411

FIG. 1 is a perspective view showing my new design;
FIG. 2 is a front elevational view thereof;
FIG. 3 is a back elevational view thereof;
FIG. 4 is a left-side elevational view thereof;
FIG. 5 is a right-side elevational view thereof;
FIG. 6 is a top plan view thereof, on a reduced scale; and
FIG. 7 is a bottom plan view thereof, on a reduced scale.

1 Claim, 7 Drawing Sheets



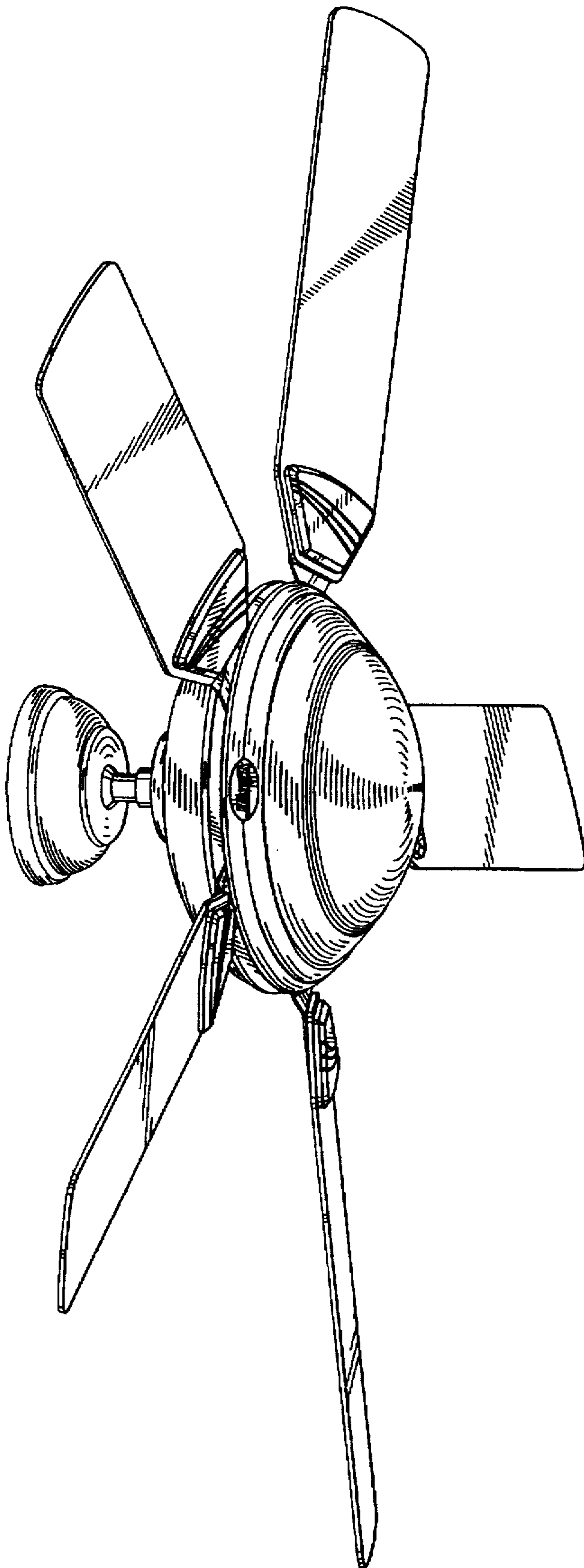


FIG 1

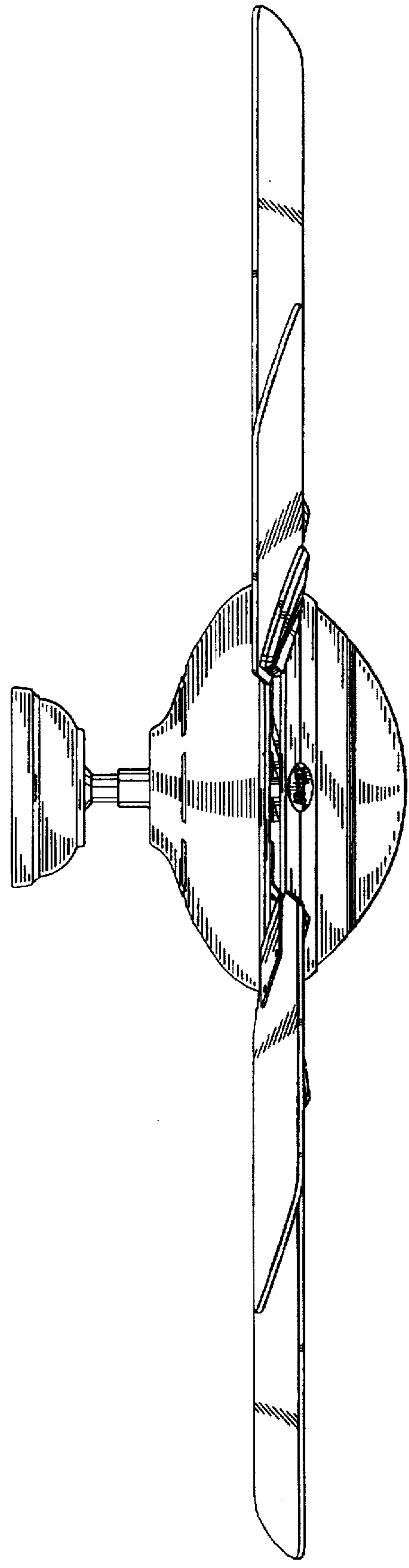


FIG 2

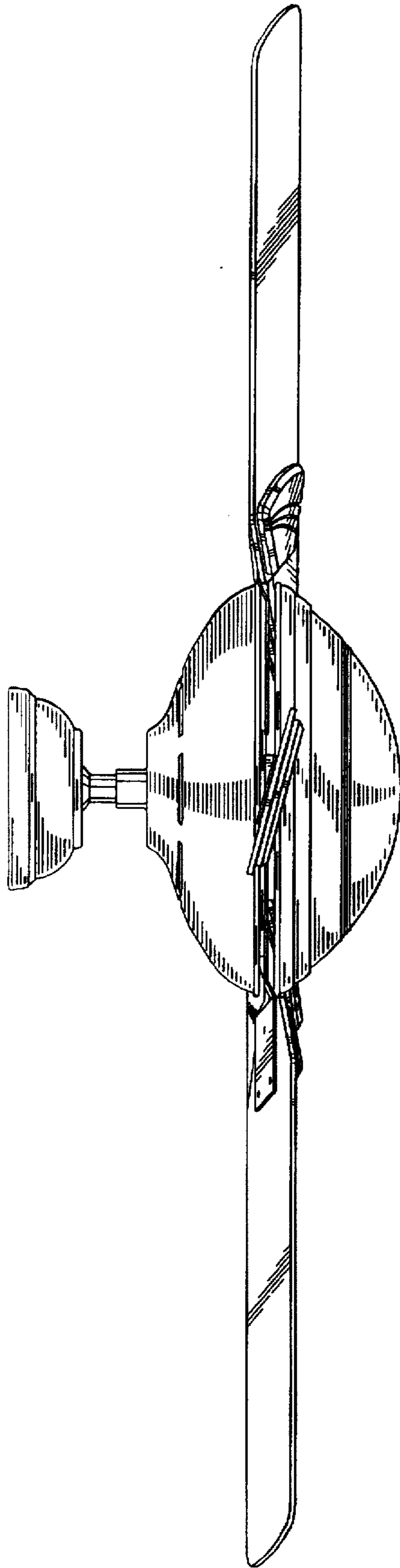


FIG 3

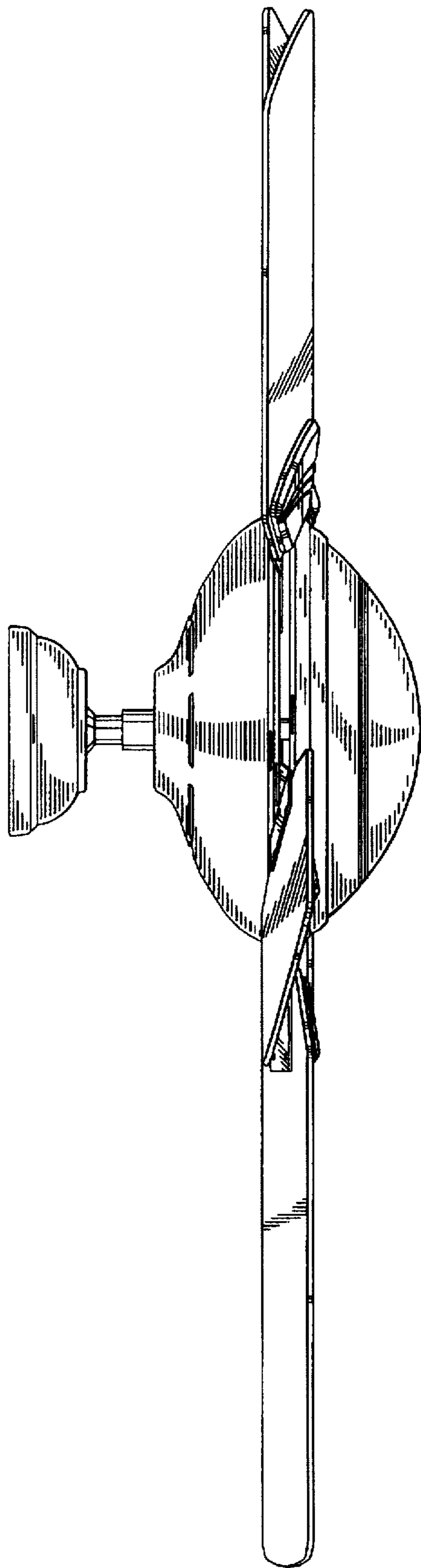


FIG 4

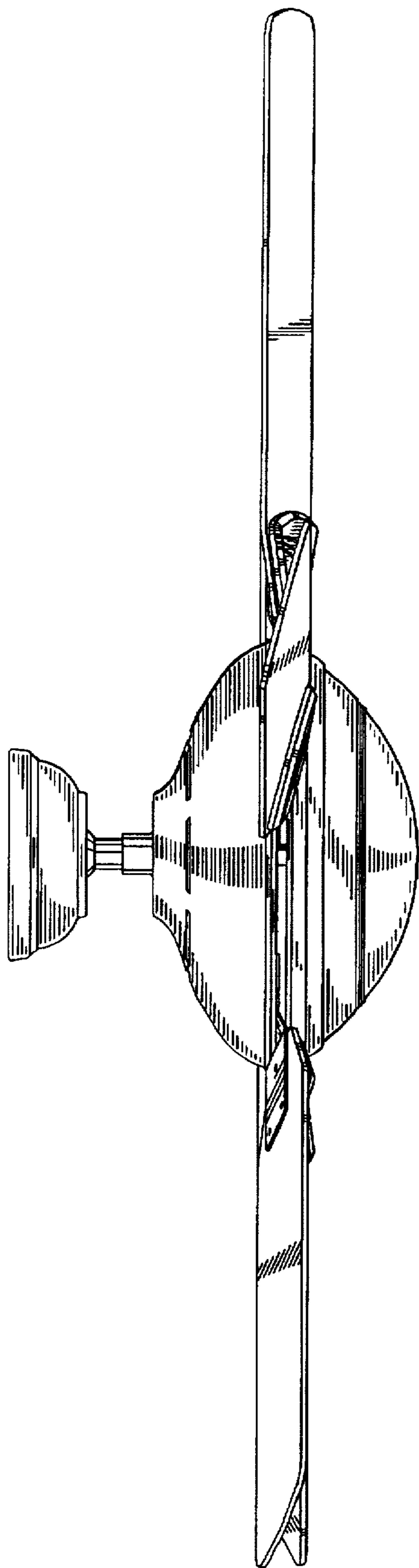


FIG 5

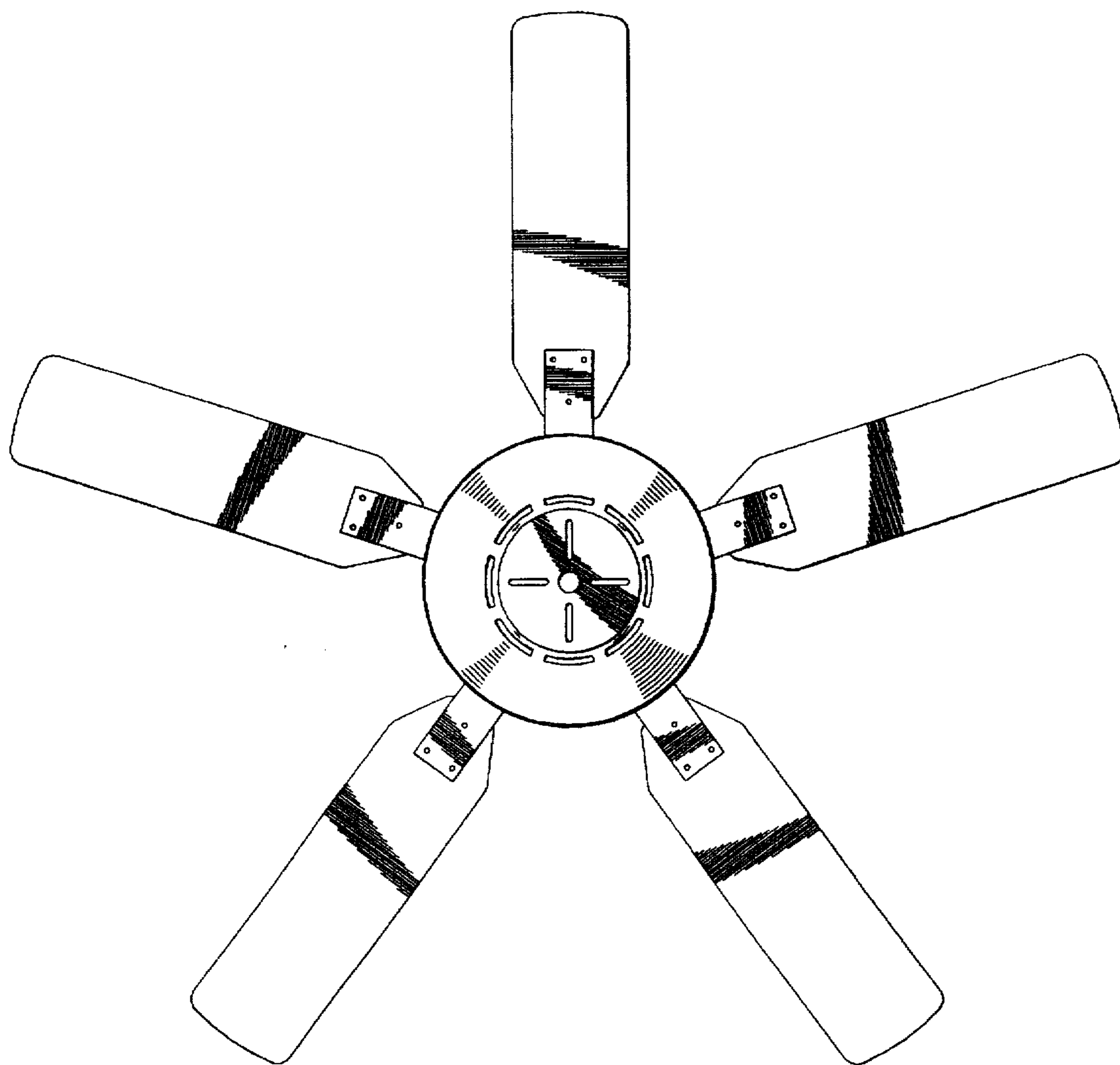


FIG 6

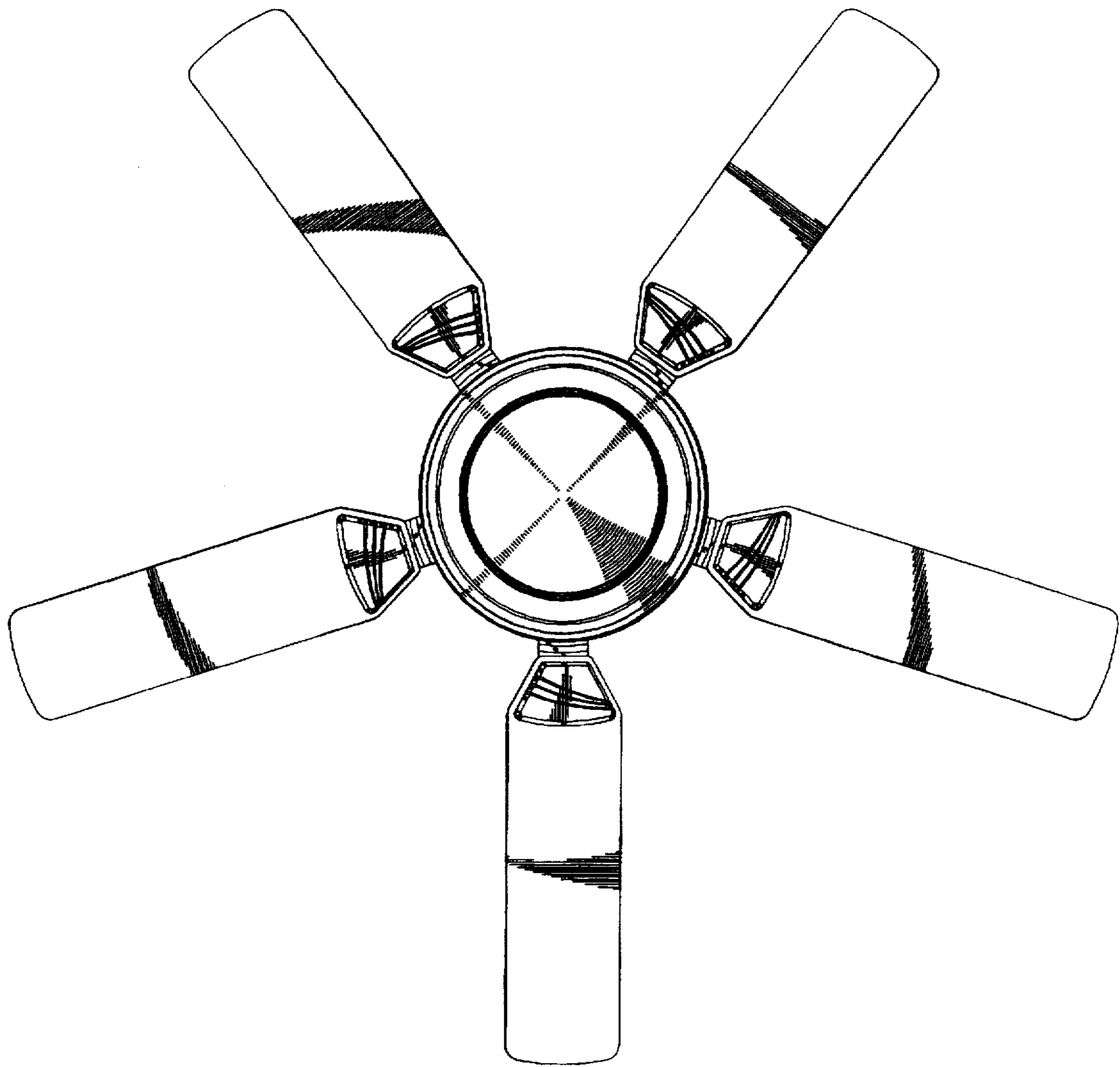


FIG 7