



US00D384732S

# United States Patent [19]

[11] Patent Number: Des. 384,732

Trueb et al.

[45] Date of Patent: \*\*\*Oct. 7, 1997

[54] ENCLOSURE FOR UNDERSINK PROTECTION

5,253,376 10/1993 Fait ..... 4/661  
5,363,517 11/1994 Bostolas ..... 4/661

[75] Inventors: Thomas W. Trueb; Steven R. Trueb, both of Ellington, Conn.

### OTHER PUBLICATIONS

Federal Government issued Specification Sheet For Under-Fixture Enclosure FIGS. B4.18.4 and B4.20.3.1 -published in the Federal Register of Jul. 26, 1991.

[73] Assignee: Truedro, Inc., Ellington, Conn.

Primary Examiner—Louis S. Zarfes  
Assistant Examiner—Gregory Andoll  
Attorney, Agent, or Firm—Ira S. Dorman

[\*] Notice: The portion of the term of this patent subsequent to Jul. 23, 2010, has been disclaimed.

[\*\*] Term: 14 Years

### [57] CLAIM

The ornamental design for an enclosure for undersink protection, as shown.

[21] Appl. No.: 43,128

[22] Filed: Aug. 25, 1995

### DESCRIPTION

[51] LOC (6) Cl. .... 23-02

[52] U.S. Cl. .... D23/308

[58] Field of Search ..... D23/295-299, D23/302-311; 4/661, 654, 311

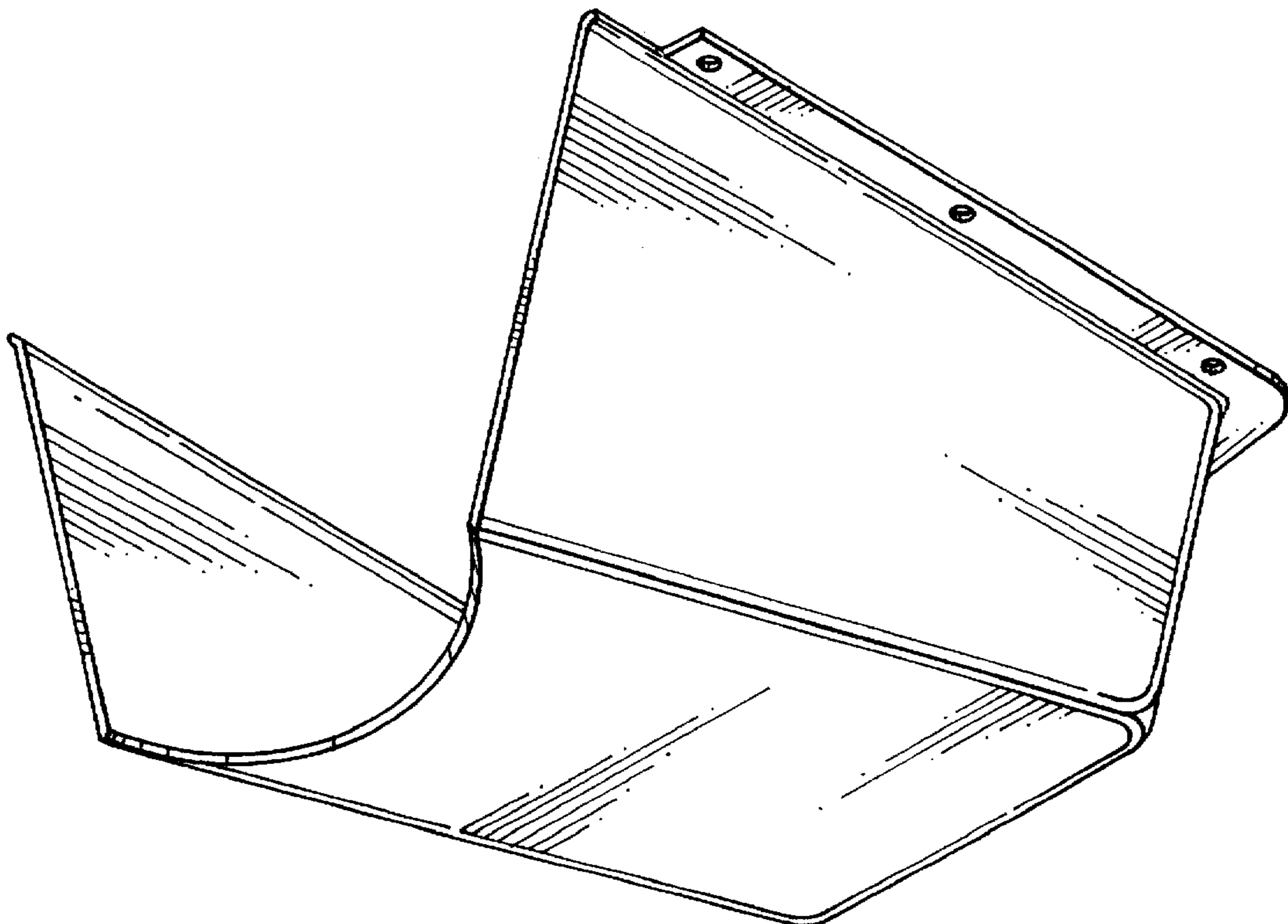
FIG. 1 is a perspective view of the enclosure for undersink protection embodying the present invention;  
FIG. 2 is a side elevational view of the enclosure for undersink protection embodying the invention;  
FIG. 3 is a bottom view of the enclosure for undersink protection embodying the invention;  
FIG. 4 is a front view of the enclosure for undersink protection embodying the invention;  
FIG. 5 is a top view of the enclosure for undersink protection embodying the invention; and  
FIG. 6 is a rear view of the enclosure for undersink protection embodying the invention.

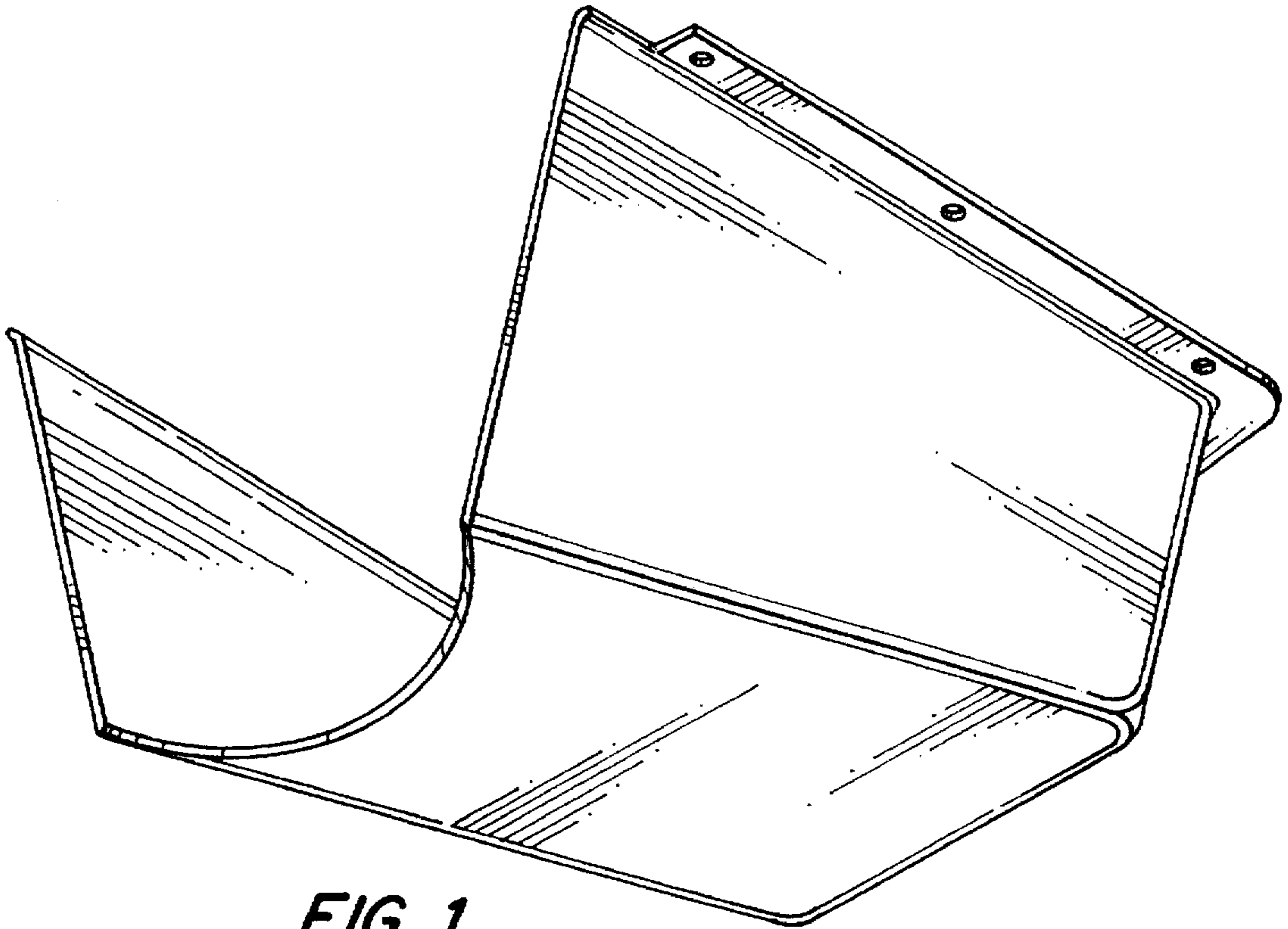
### [56] References Cited

#### U.S. PATENT DOCUMENTS

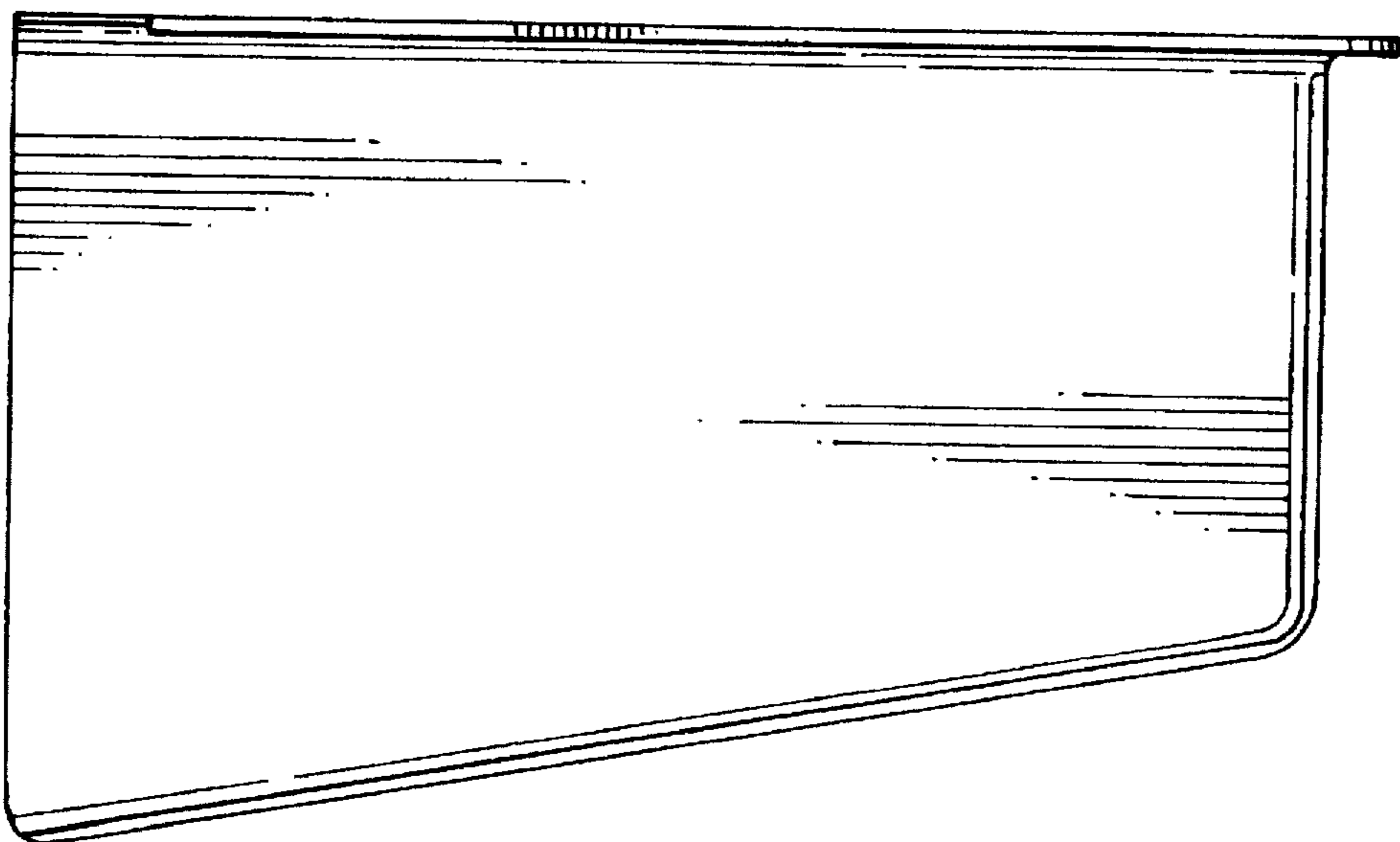
D. 46,438	9/1914	Mann	.....	D23/308
D. 332,654	1/1993	Reid et al.	.....	D23/308
D. 358,634	5/1995	Danneberg et al.	.....	D23/308
650,897	6/1900	Hinsdale	.....	4/311
2,496,684	2/1950	Upchurch	.....	4/654
4,646,370	3/1987	Risberg et al.	.....	D23/308
4,862,528	9/1989	Clarke et al.	.....	4/661

1 Claim, 3 Drawing Sheets





*FIG. 1*



*FIG. 2*

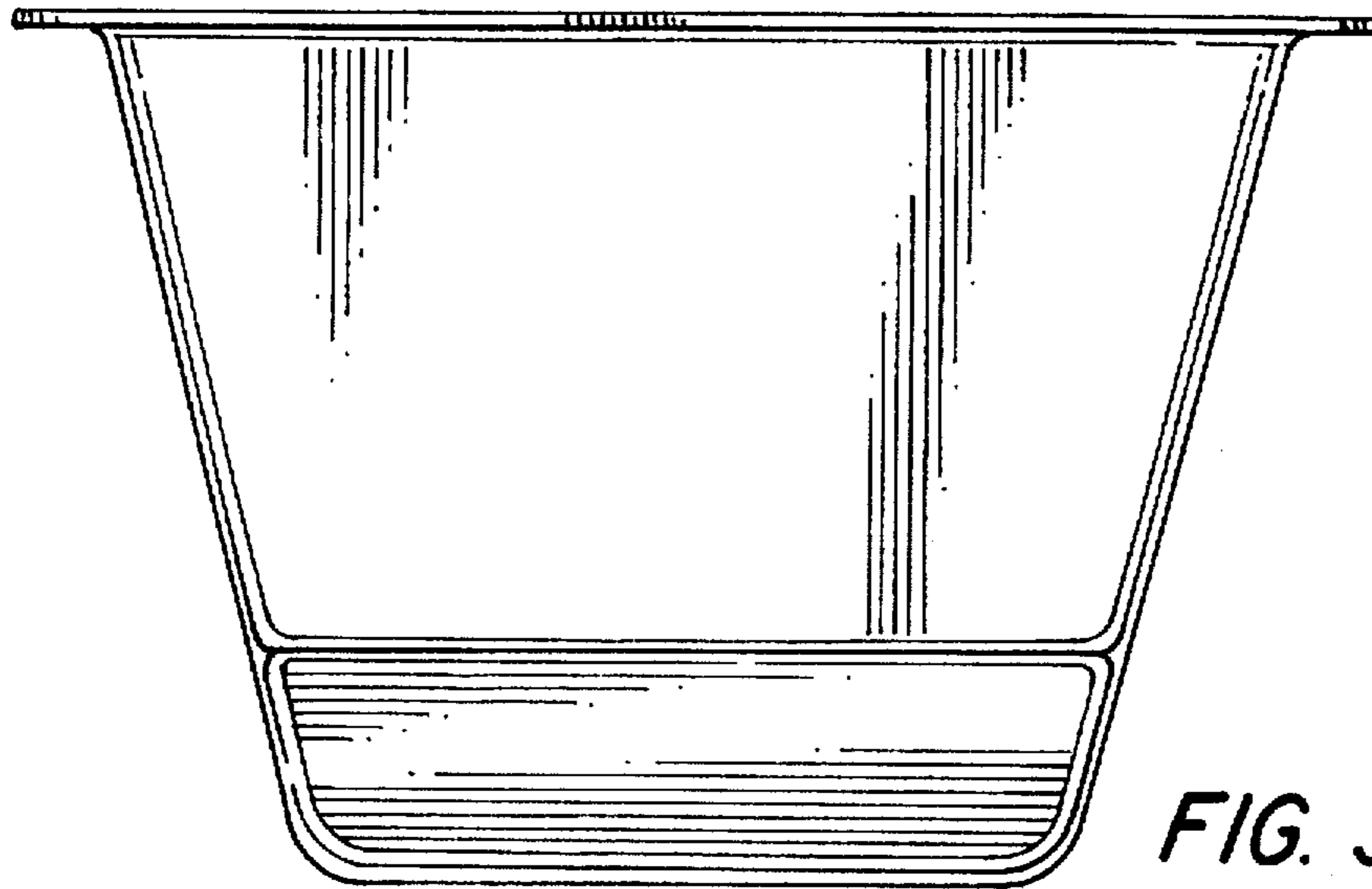


FIG. 3

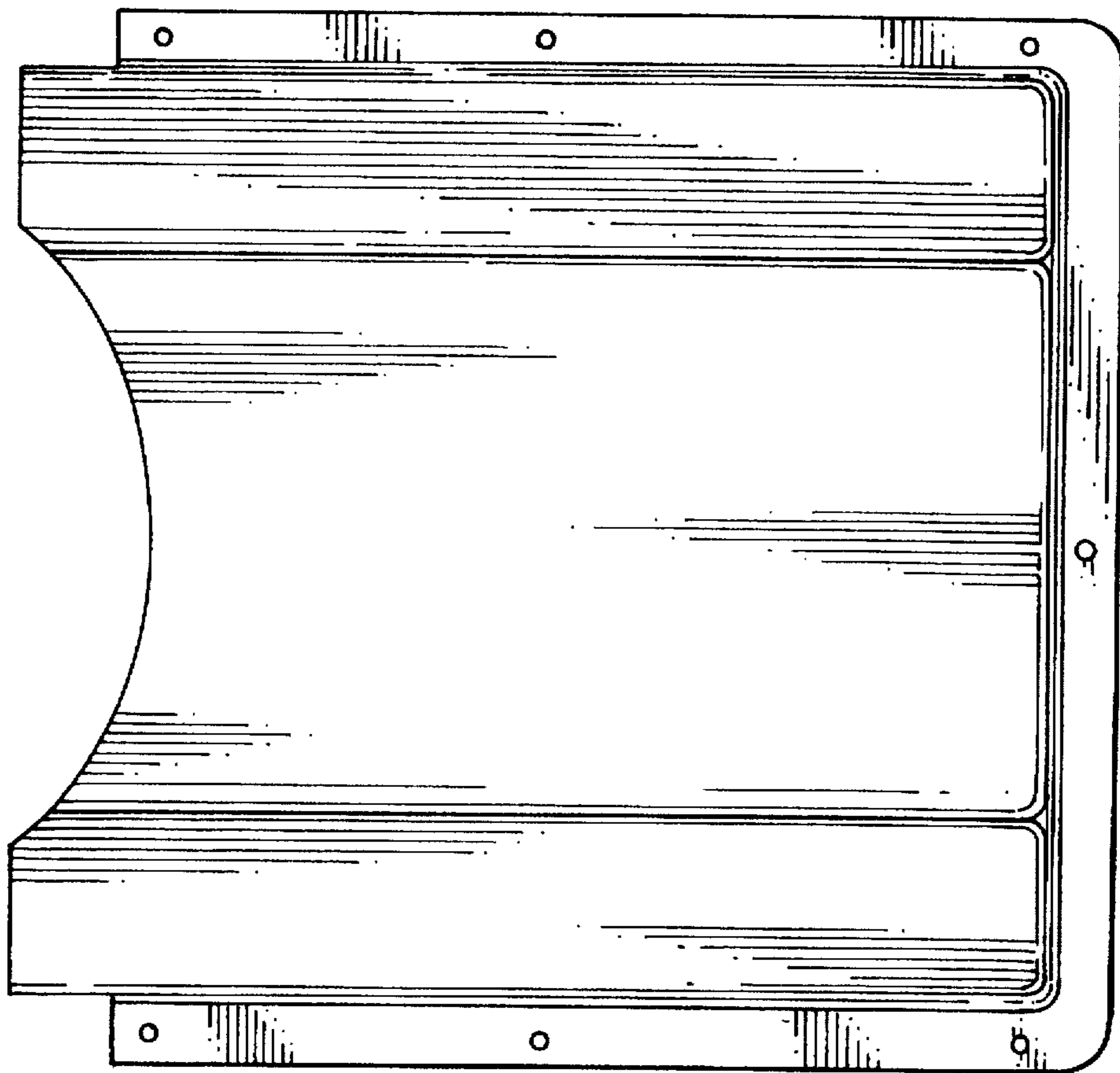


FIG. 4

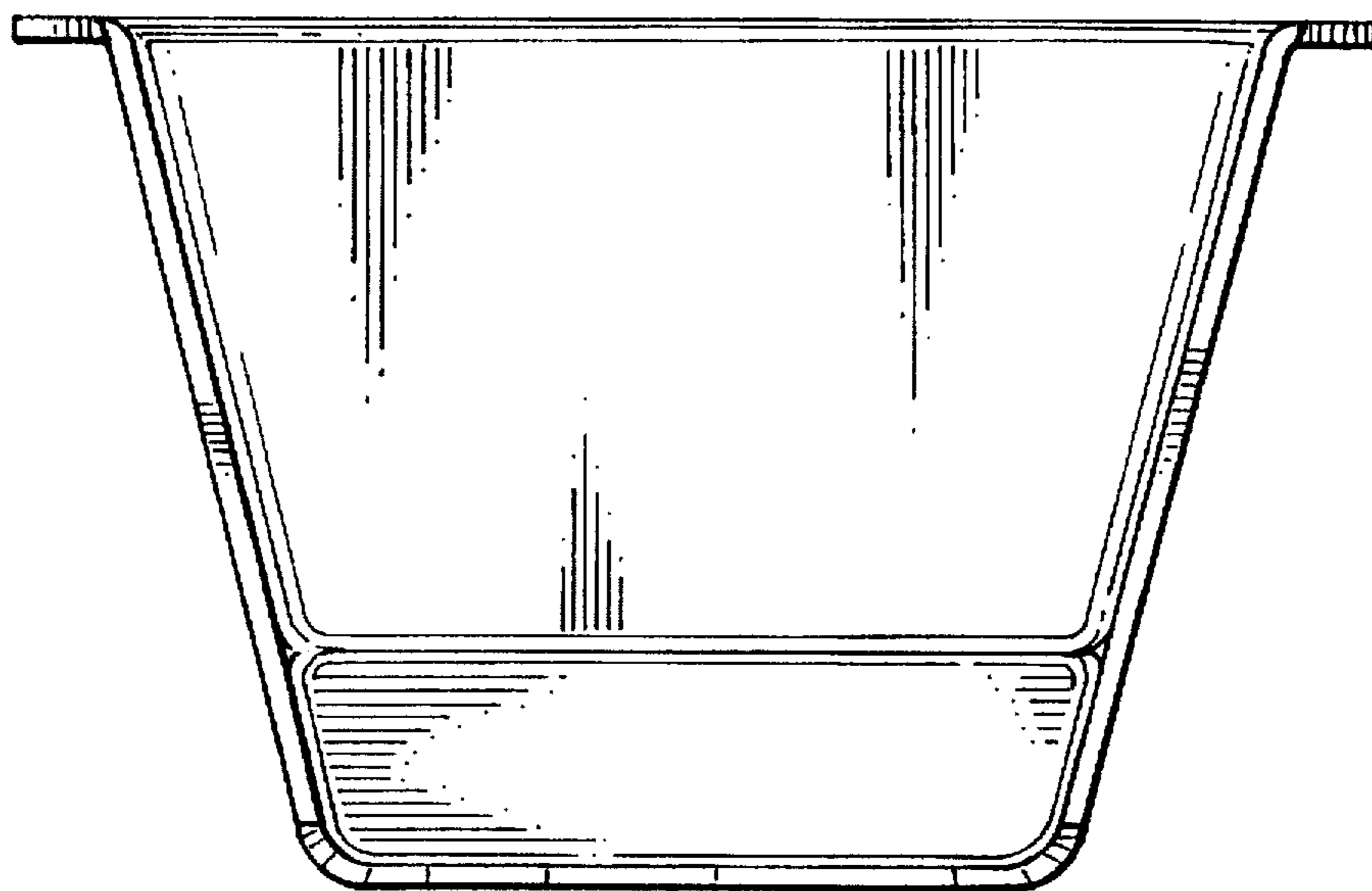


FIG. 5

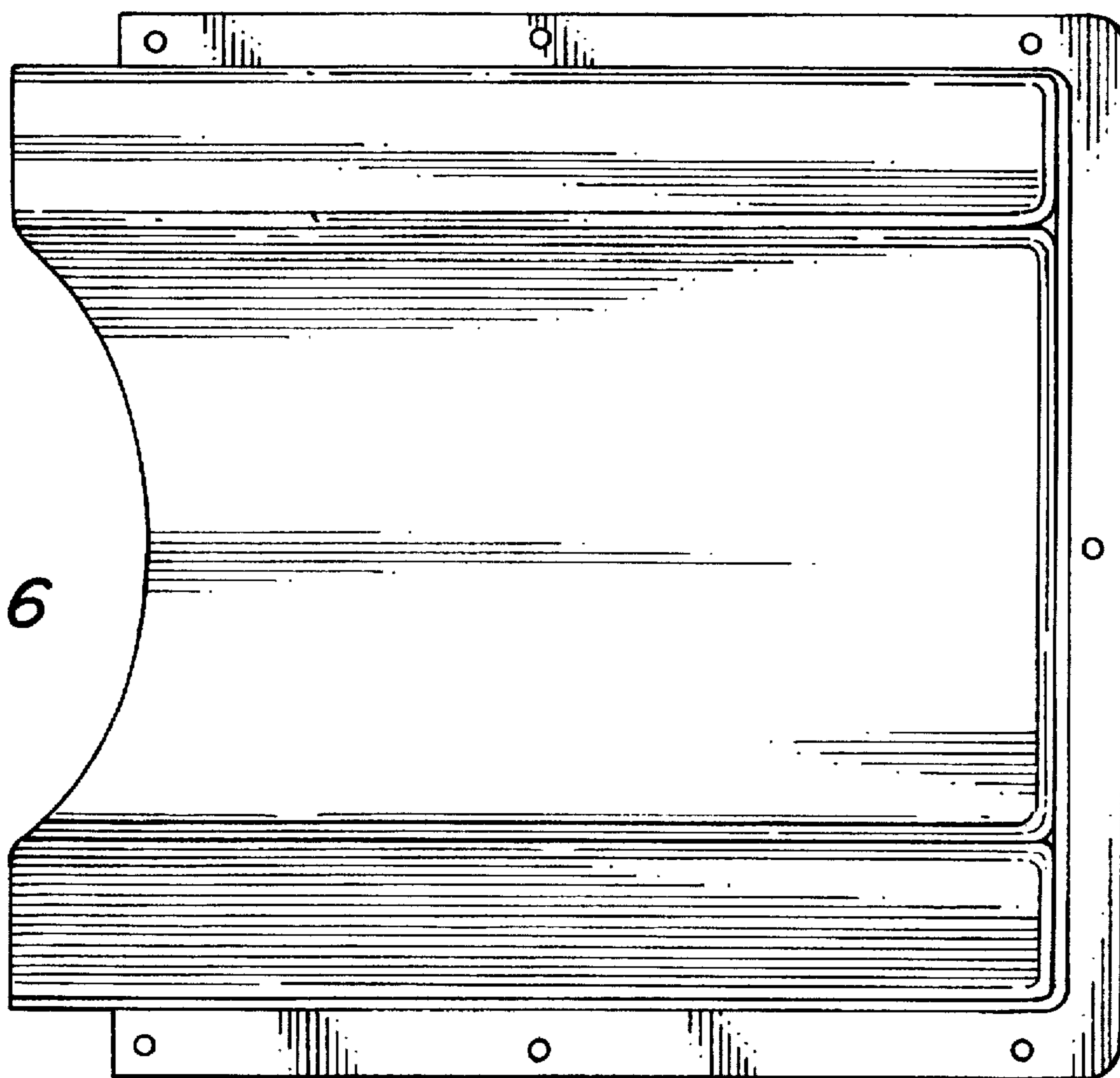


FIG. 6