

US00D384731S

United States Patent [19]

Ramacier, Jr. et al.

[11] Patent Number: **Des. 384,731**

[45] Date of Patent: ****Oct. 7, 1997**

[54] QUICK CONNECTION COUPLING VALVE ASSEMBLY

[75] Inventors: **Patrick J. Ramacier, Jr.**, St. Paul; **David W. Meyer**, Jordan, both of Minn.

[73] Assignee: **Colder Products Company**, St. Paul, Minn.

[**] Term: **14 Years**

[21] Appl. No.: **29,391**

[22] Filed: **Oct. 4, 1994**

Related U.S. Application Data

[62] Division of Ser. No. 871, Oct. 27, 1992, Pat. No. Des. 357,307.

[51] LOC (6) Cl. **23-01**

[52] U.S. Cl. **D23/262**

[58] Field of Search D23/259-269;
D24/129; 141/346, 349; 137/797, 798;
251/149.1, 149.6; 604/326, 411, 414, 415,
905; 285/3

[56] References Cited

U.S. PATENT DOCUMENTS

- D. 172,372 6/1954 Wagner .
- D. 314,233 1/1991 Meduick .
- 1,810,735 6/1931 Smith .
- 2,419,503 4/1947 Scheiner .
- 3,170,667 2/1965 Szohstzky .
- 4,253,684 3/1981 Tolbert et al. .
- 4,436,125 3/1984 Blenkush .
- 4,541,457 9/1985 Blenkush .
- 4,613,112 9/1986 Philipot et al. .
- 4,703,957 11/1987 Blenkush .
- 4,934,655 6/1990 Blenkush et al. .
- 5,033,777 7/1991 Blenkush .
- 5,052,725 10/1991 Meyer et al. .
- 5,104,158 4/1992 Meyer et al. .
- 5,143,347 9/1992 Lee et al. .
- 5,316,041 5/1994 Ramacier, Jr. et al. .

OTHER PUBLICATIONS

"Softube™ fittings", Colder Products Company product brochure, Form ST-1, Rev 2-691, (4 pages) (existing prior to filing date of Oct. 4, 1994).

"Softube® fittings", Colder Products Company product brochure, Form ST-1, 993, (4 pages) (existing prior to filing date of Oct. 4, 1994).

"General Program", product brochure by Staubli SA, 03.90, (16 pages) (existing prior to filing date of Oct. 4, 1994).

"CPC Quick Couplings for Plastic Tubing", Colder Products Company product brochure, Form CP-1, Rev 2 990, (36 pages) (existing prior to filing date of Oct. 4, 1994).

"Quick Couplings for Plastic Tubing", Colder Products Company product brochure, Form 05-90, (2 pages) (existing prior to filing date of Oct. 4, 1994).

"High Temperature Quick Disconnect Couplings", Colder Products Company product brochure, Form CP-11, (1 page) (existing prior to filing date of Oct. 4, 1994).

"APC™ All Plastic Quick Disconnect Couplings", Colder Products Company product brochure, Form CP-12, (1 page) (existing prior to filing date of Oct. 4, 1994).

(List continued on next page.)

Primary Examiner—Stella Reid

Assistant Examiner—E. Watterson

Attorney, Agent, or Firm—Merchant, Gould, Smith, Edell, Welter & Schmidt, P.A.

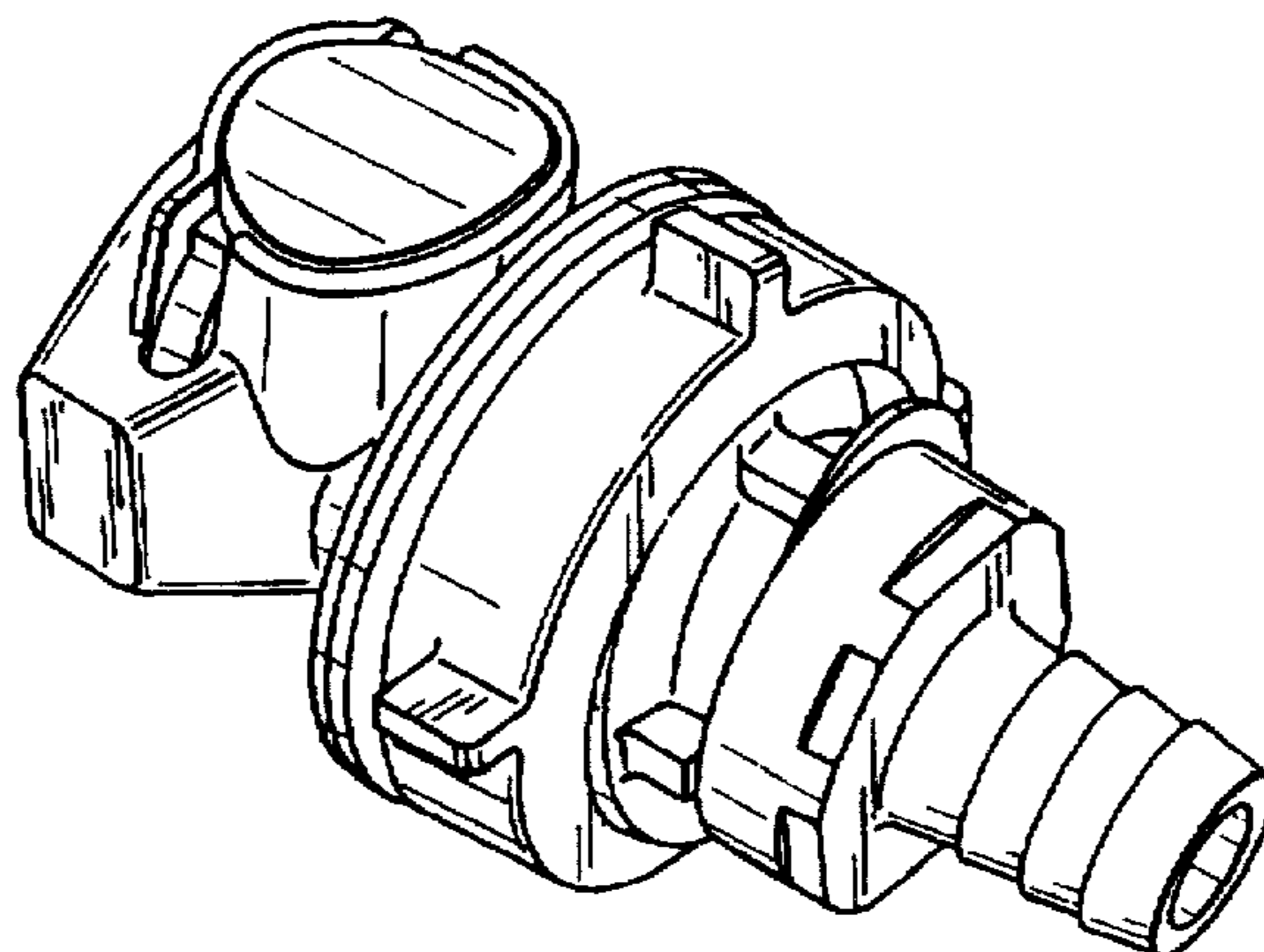
[57] CLAIM

The ornamental design for a quick connection coupling valve assembly, as shown and described.

DESCRIPTION

FIG. 1 is a front and top right perspective view of a quick connection coupling valve assembly showing our design; FIG. 2 is a left side elevational view thereof; FIG. 3 is a right side elevational view thereof; FIG. 4 is a top plan view thereof; FIG. 5 is a bottom plan view thereof; FIG. 6 is a front elevational view thereof; and, FIG. 7 is a back elevational view thereof.

1 Claim, 3 Drawing Sheets



OTHER PUBLICATIONS

"Free Flow™ Couplings", Colder Products Company product brochure, Form MPC-2 1091, (2 pages) (existing prior to filing date of Oct. 4, 1994).

"Standard Quick Disconnects, Special Application Quick Disconnects, Subminiature Couplings", Colder Products

Company product brochure, (1 page) (existing prior to filing date of Oct. 4, 1994).

"Medical Plastic Coupling", Colder Products Company product brochure, Form MPC-1 791, (4 pages) (existing prior to filing date of Oct. 4, 1994).

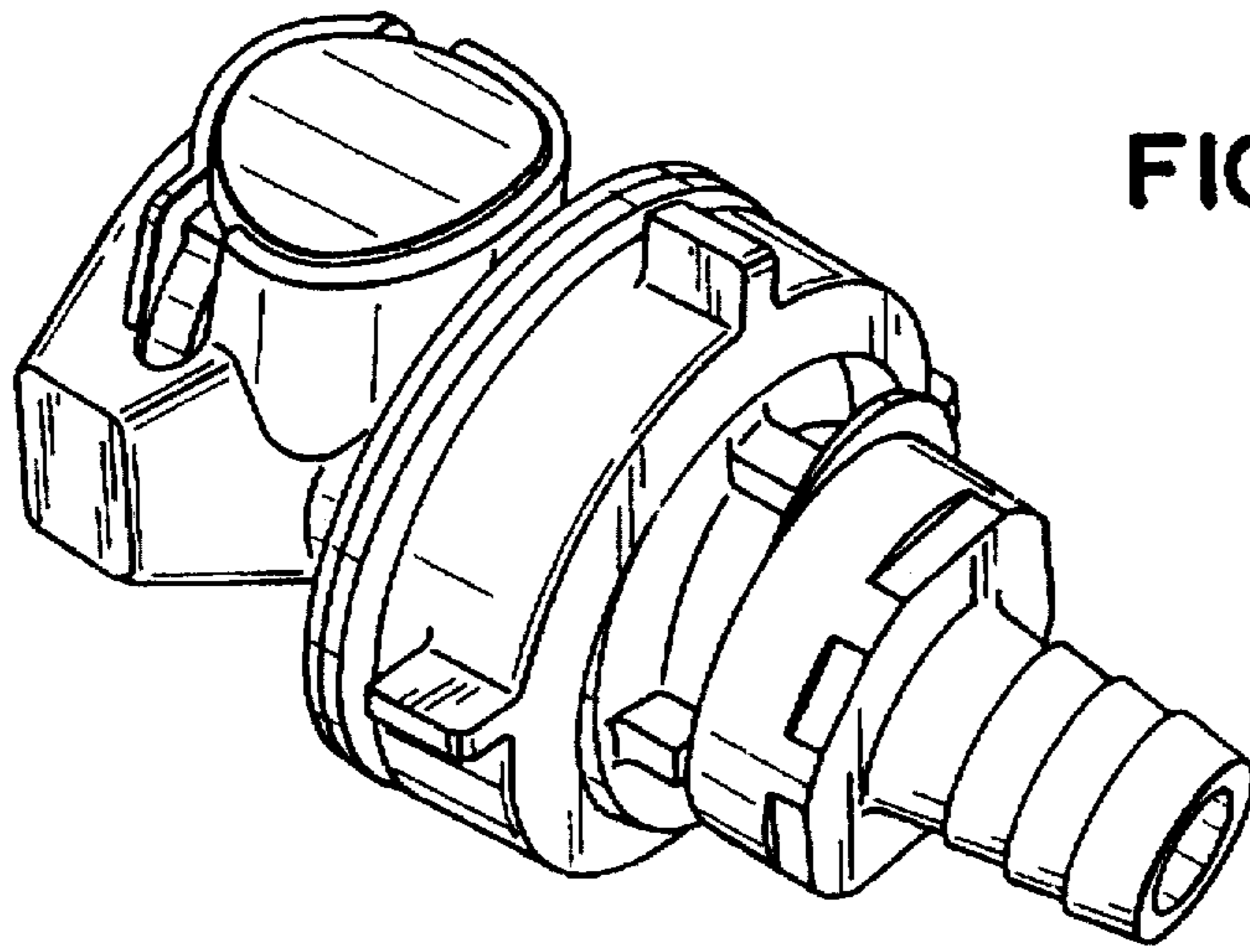


FIG. 1

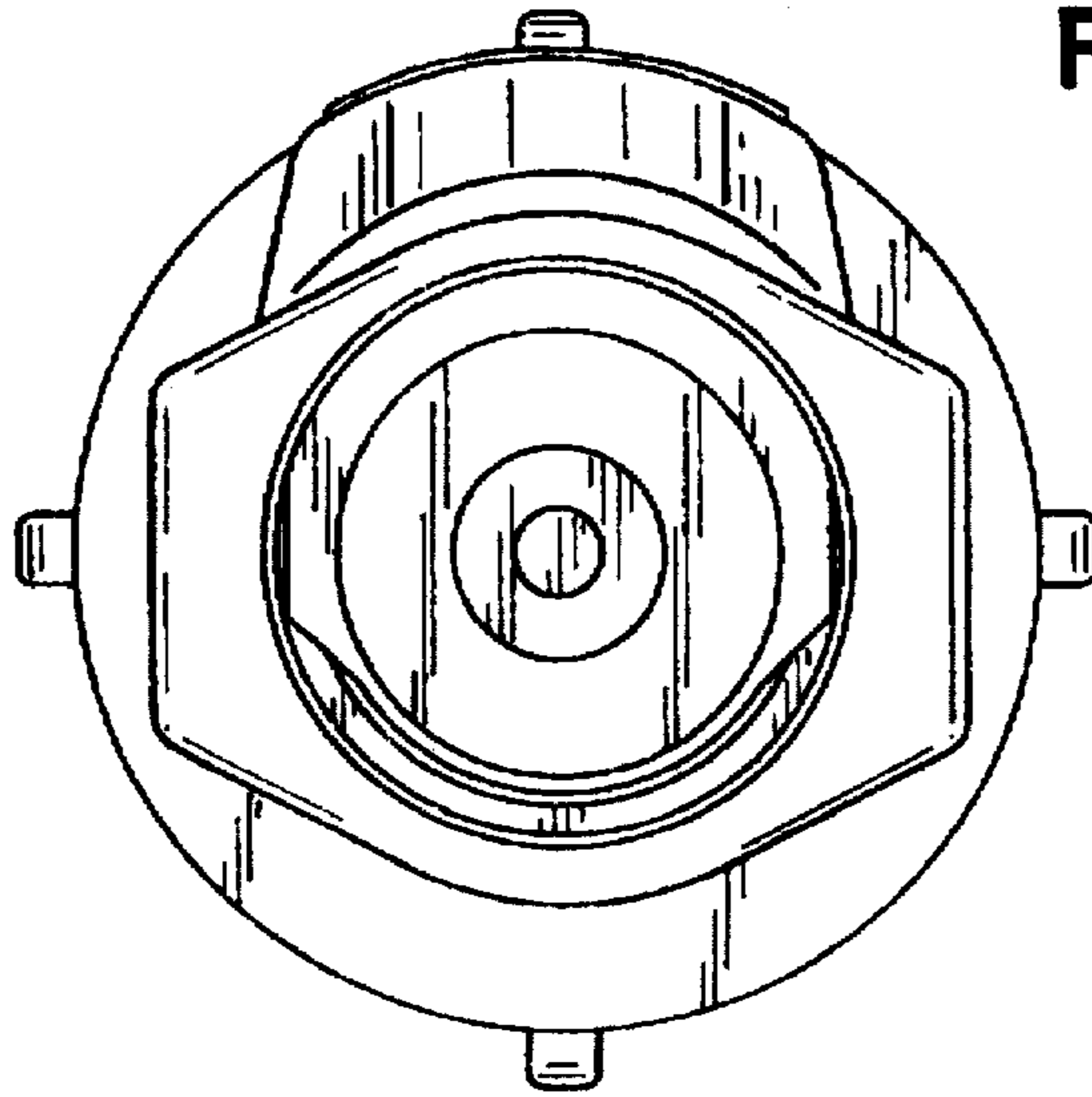


FIG. 2

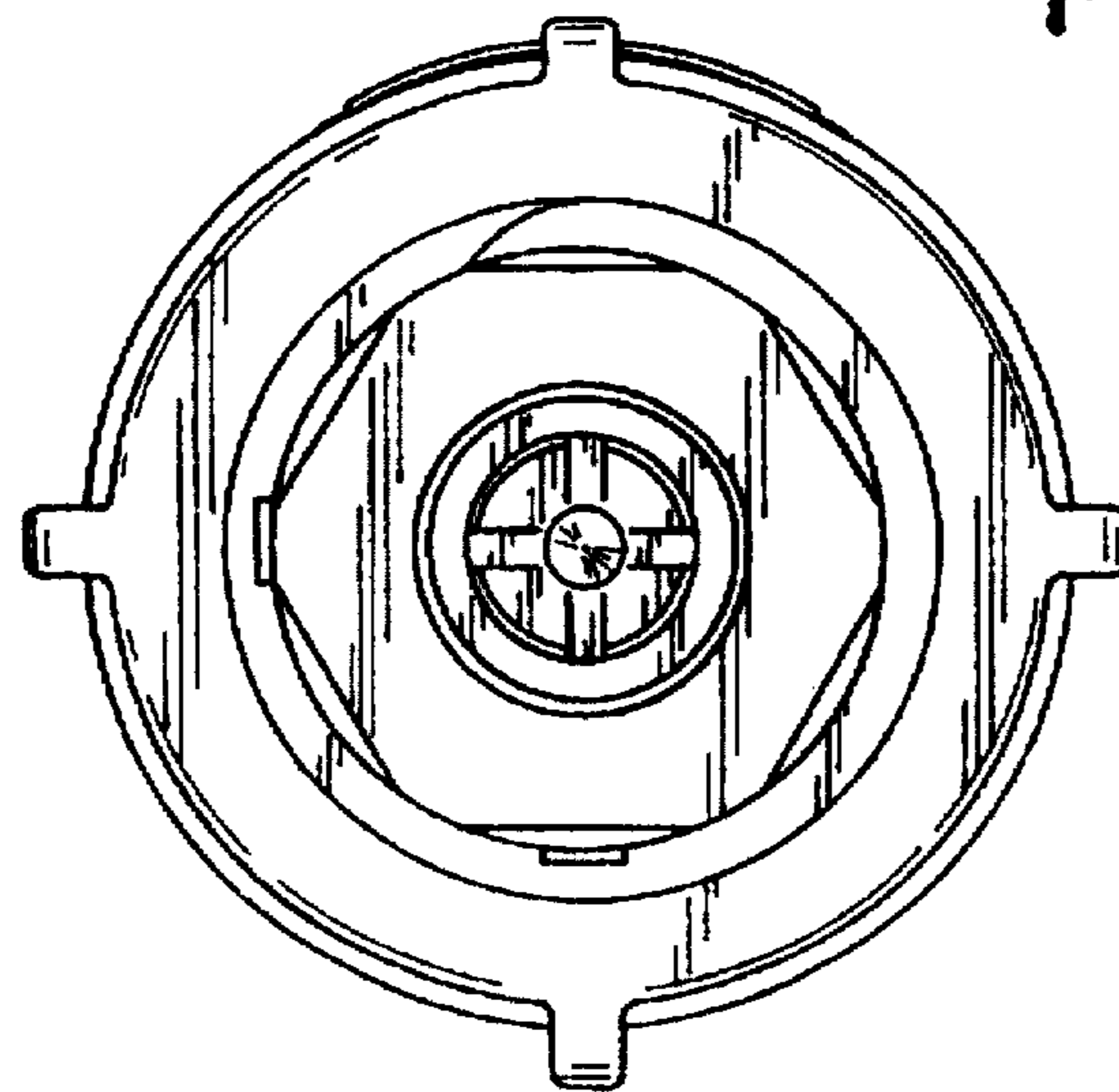


FIG. 3

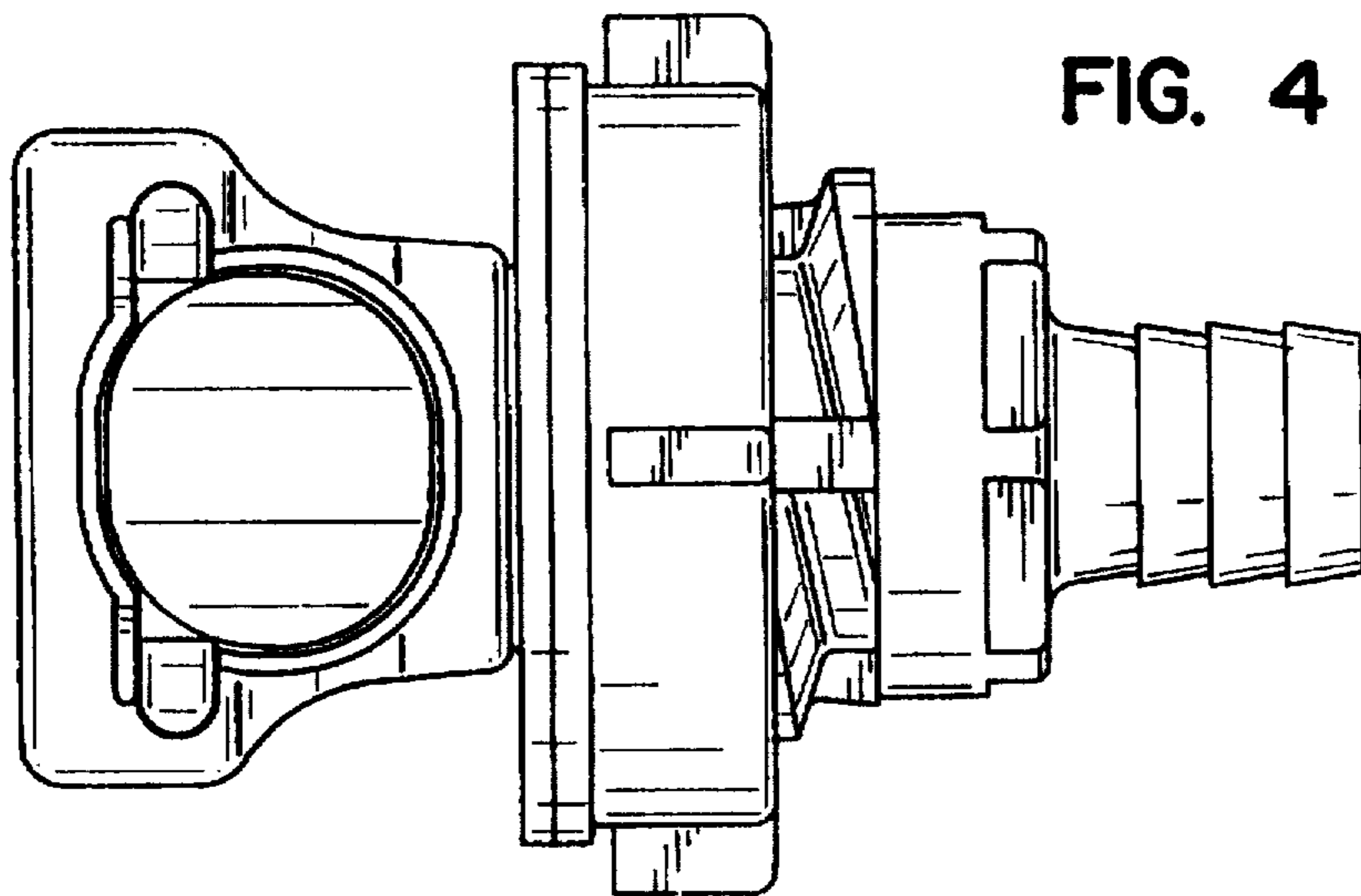


FIG. 4

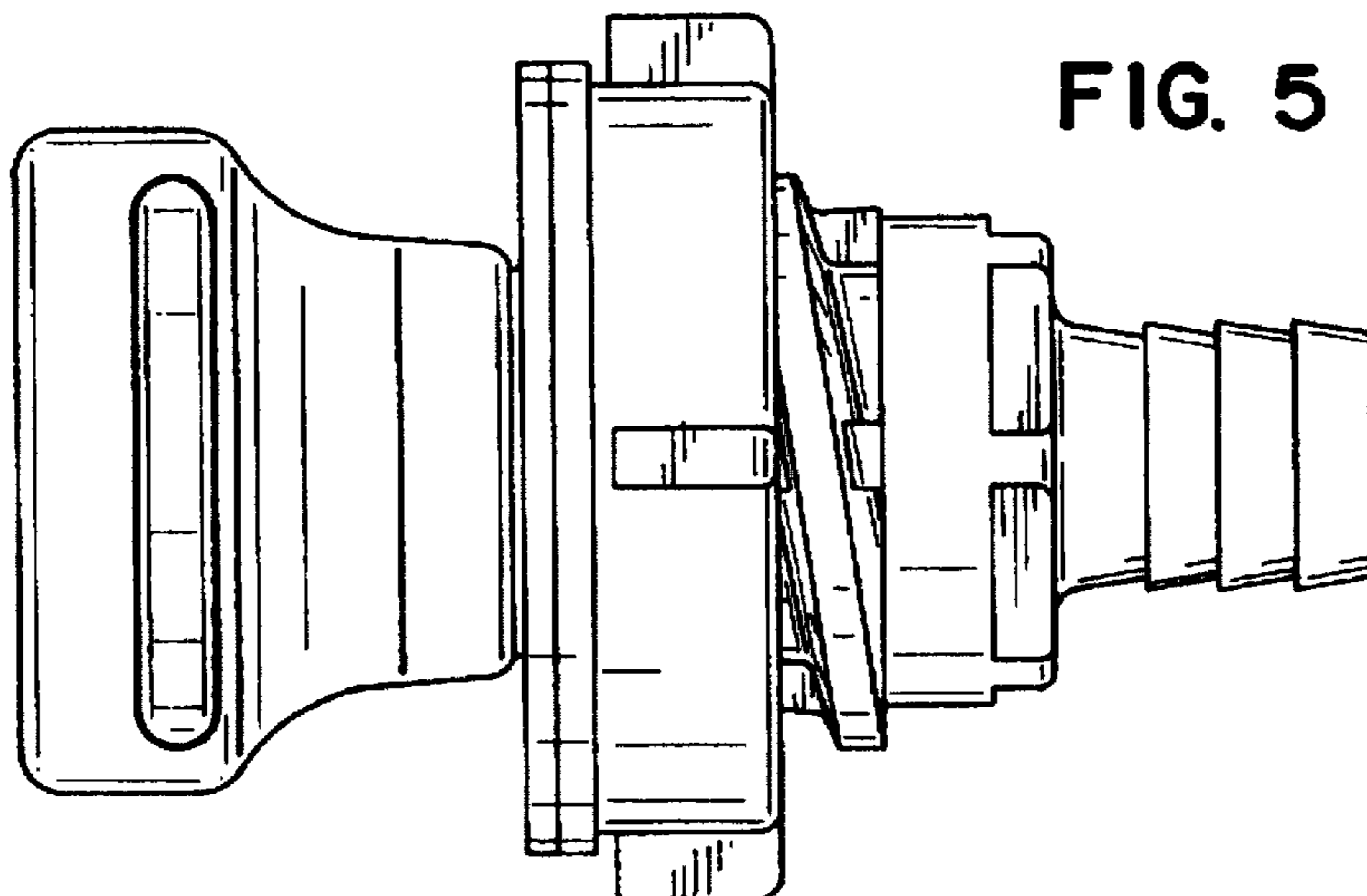


FIG. 5

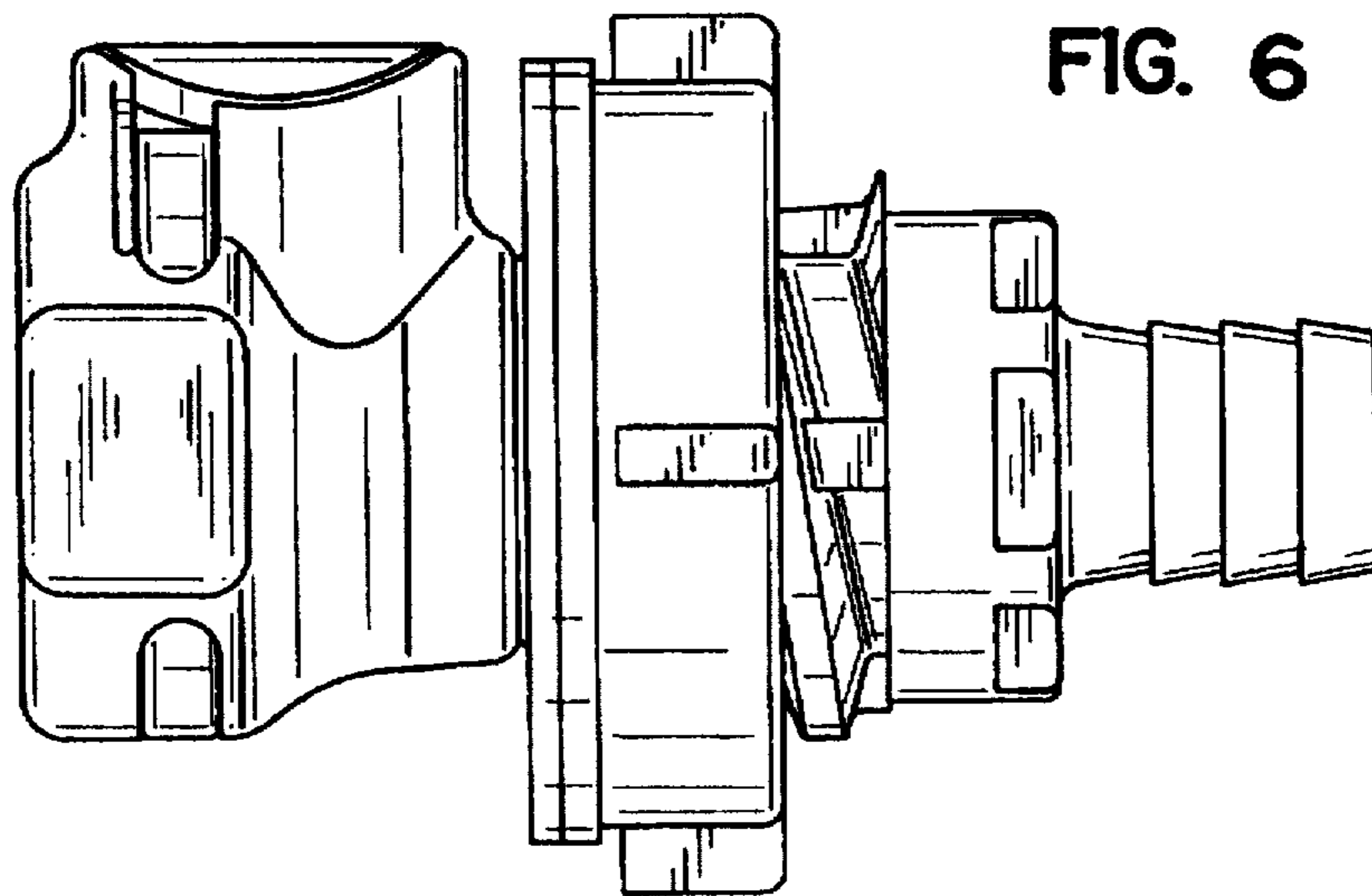


FIG. 6

FIG. 7

