

US00D384729S

United States Patent [19]
Fabian

[11] **Patent Number:** **Des. 384,729**

[45] **Date of Patent:** ****Oct. 7, 1997**

[54] **FAUCET**

[75] **Inventor:** **Wolfgang Fabian, Mannheim, Germany**

[73] **Assignee:** **American Standard Inc., Piscataway, N.J.**

[**] **Term:** **14 Years**

[21] **Appl. No.:** **43,265**

[22] **Filed:** **Aug. 30, 1995**

[51] **LOC (6) Cl.** **23-01**

[52] **U.S. Cl.** **D23/238**

[58] **Field of Search** **D23/238-293,**
D23/250-257; 4/675-678

[56] **References Cited**

U.S. PATENT DOCUMENTS

D. 293,601	1/1988	Hill et al.	D23/255
D. 339,409	9/1993	Jans	D23/238
D. 347,883	6/1994	Koladd et al.	D23/257
D. 358,866	5/1995	Hang et al.	D23/238

Primary Examiner—Stella Reid

Assistant Examiner—Eric Watterson

Attorney, Agent, or Firm—Ann M. Knab; Elaine Brenner Robinson

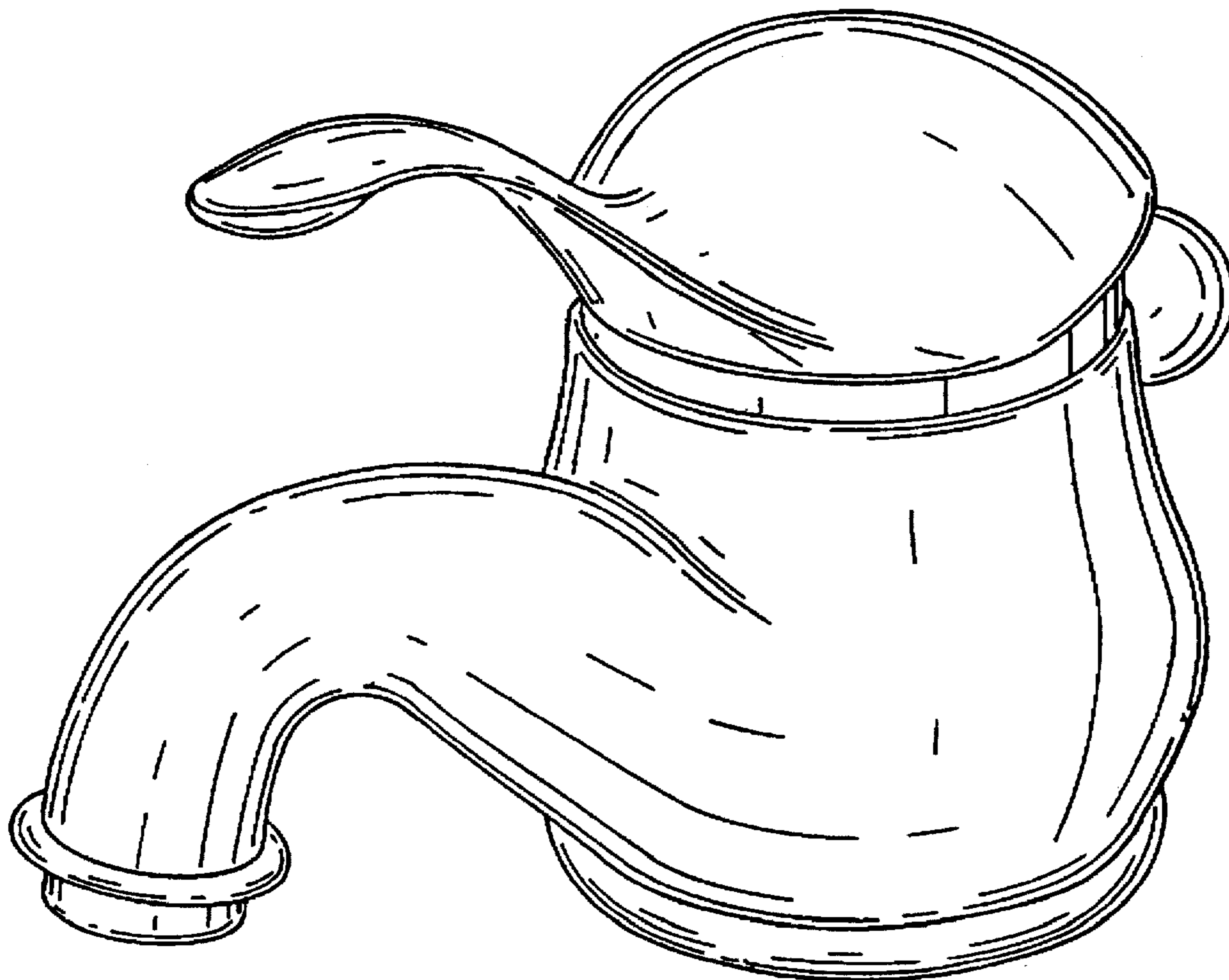
[57] **CLAIM**

The ornamental design for a faucet, as shown and described.

DESCRIPTION

FIG. 1 is a perspective view of a faucet showing my new design;
 FIG. 2 is a front elevational view thereof;
 FIG. 3 is a left side elevational view thereof;
 FIG. 4 is a right side elevational view thereof;
 FIG. 5 is a top plan view thereof;
 FIG. 6 is a rear elevational view thereof;
 FIG. 7 is a bottom plan view thereof;
 FIG. 8 is a perspective view of the second embodiment of the faucet, shown without a handle attachment;
 FIG. 9 is a front elevational view of FIG. 8;
 FIG. 10 is a left side elevational view of FIG. 8;
 FIG. 11 is a right side elevational view of FIG. 8;
 FIG. 12 is a top plan view of FIG. 8;
 FIG. 13 is a rear elevational view of FIG. 8; and,
 FIG. 14 is a bottom plan view of FIG. 8.

1 Claim, 8 Drawing Sheets



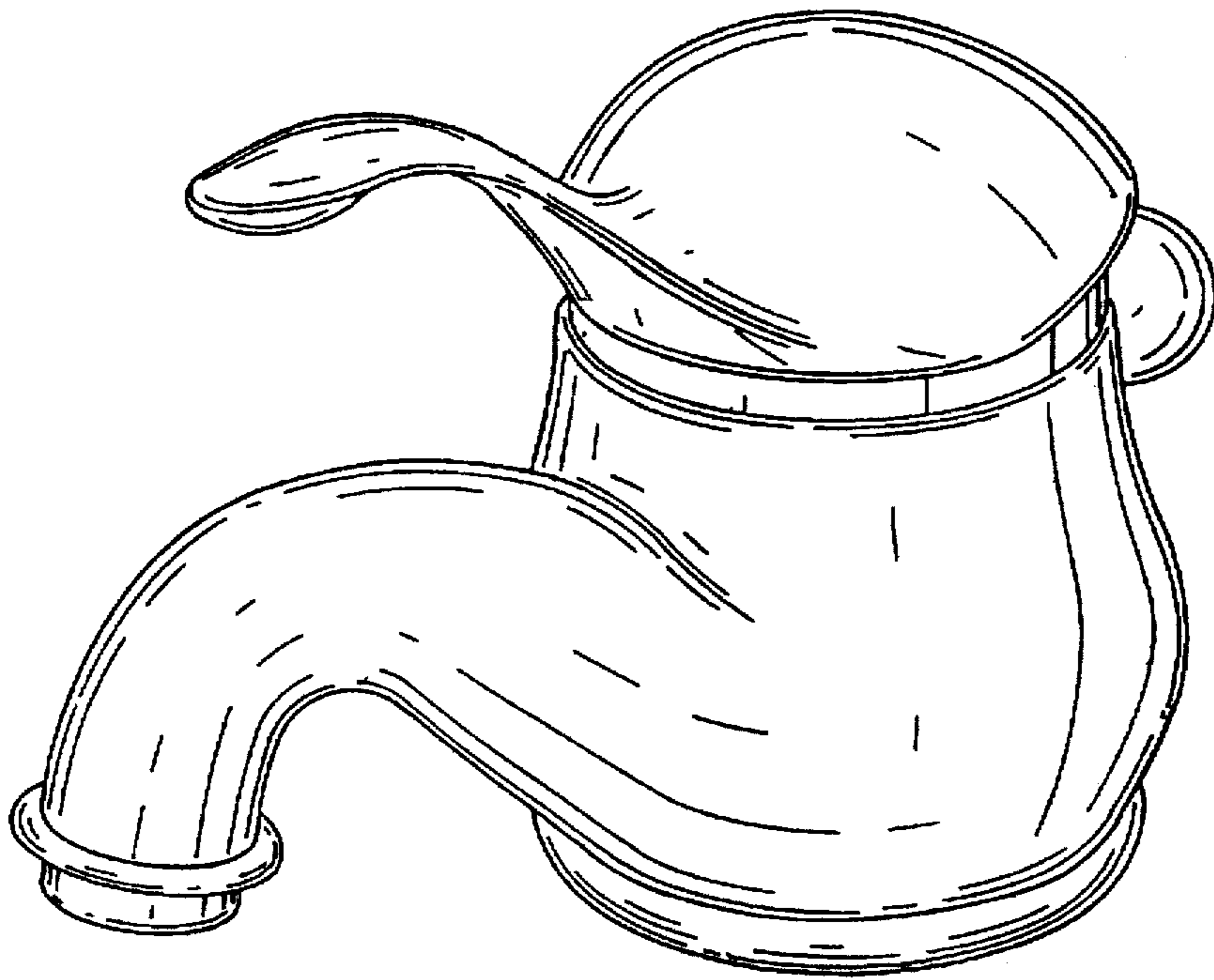


FIG. 1

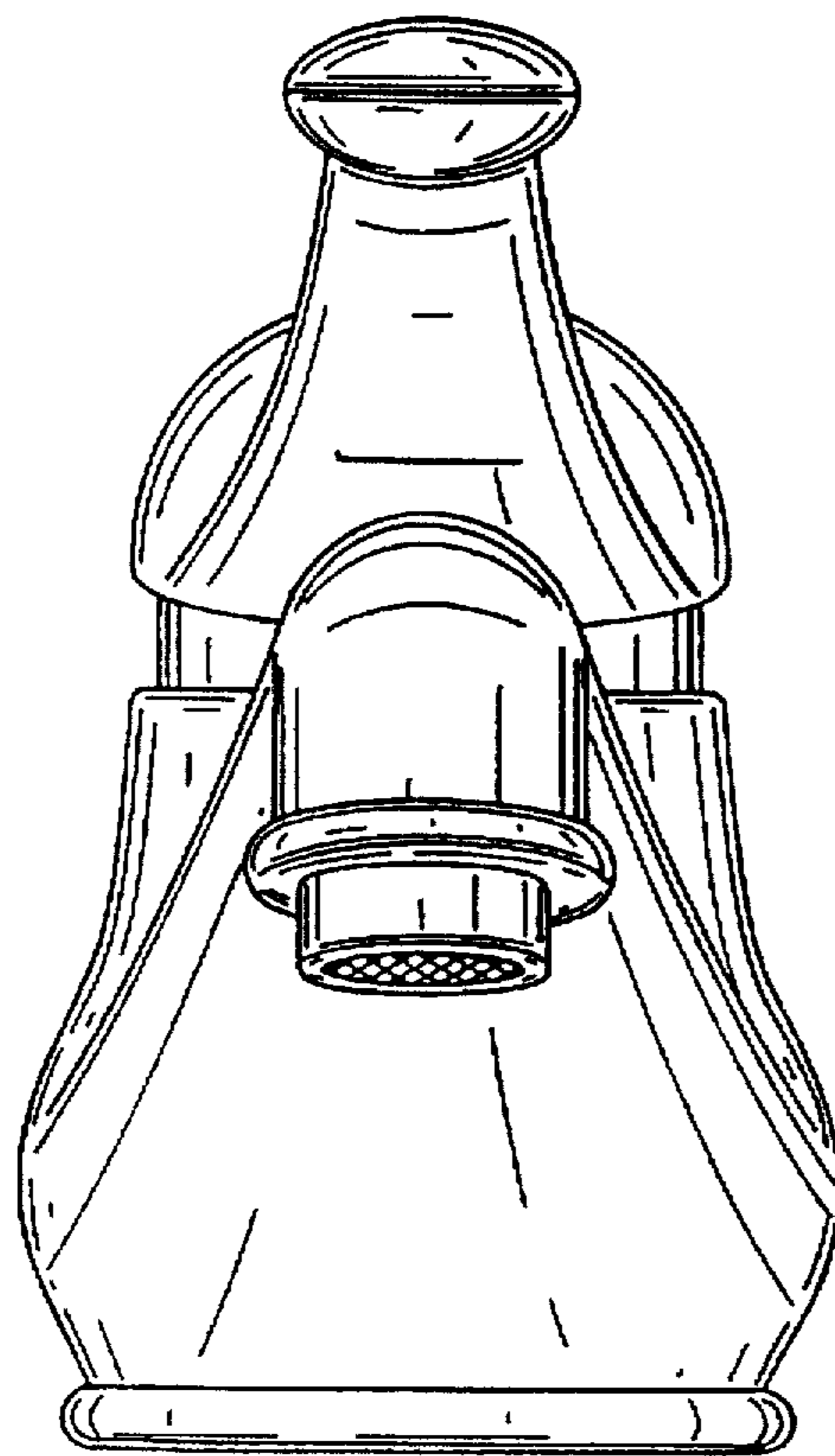
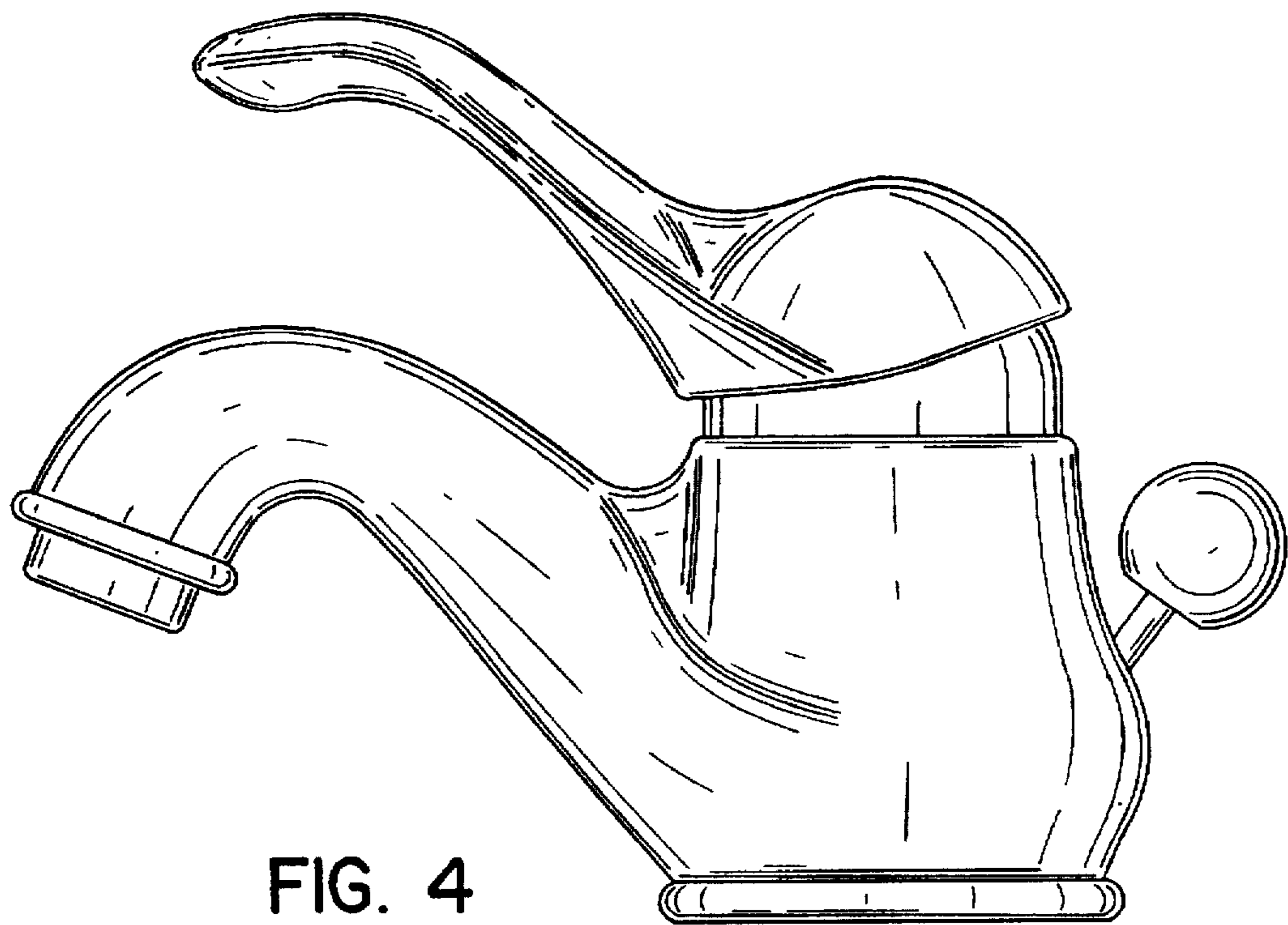
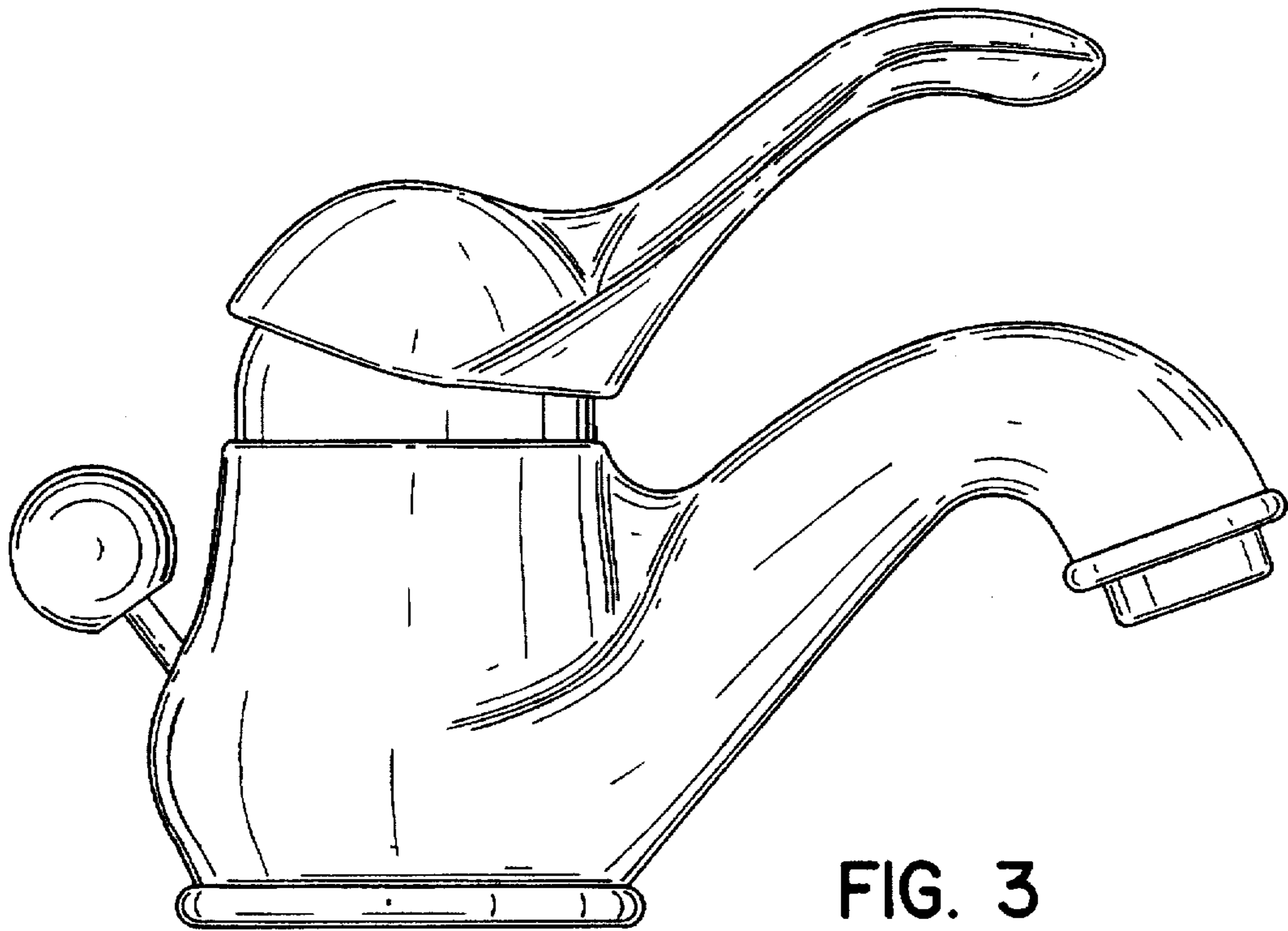


FIG. 2



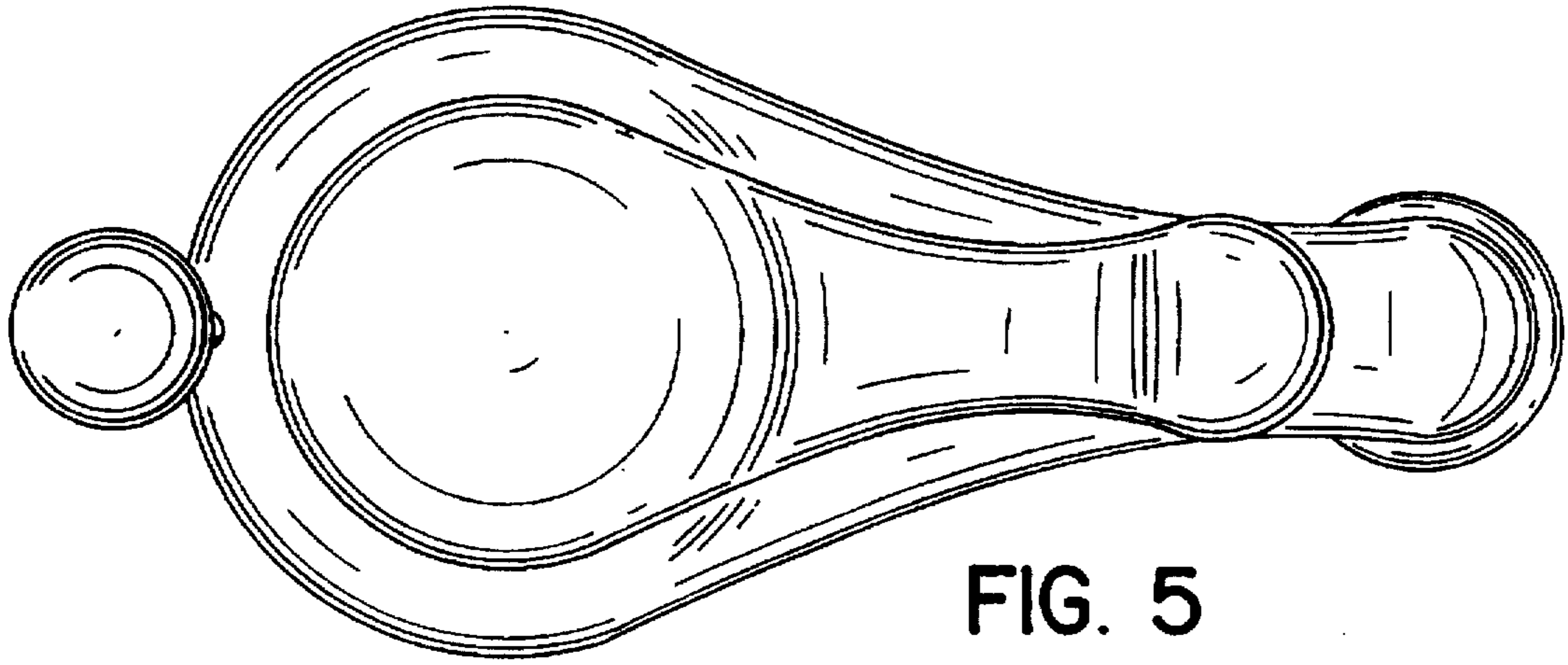


FIG. 5

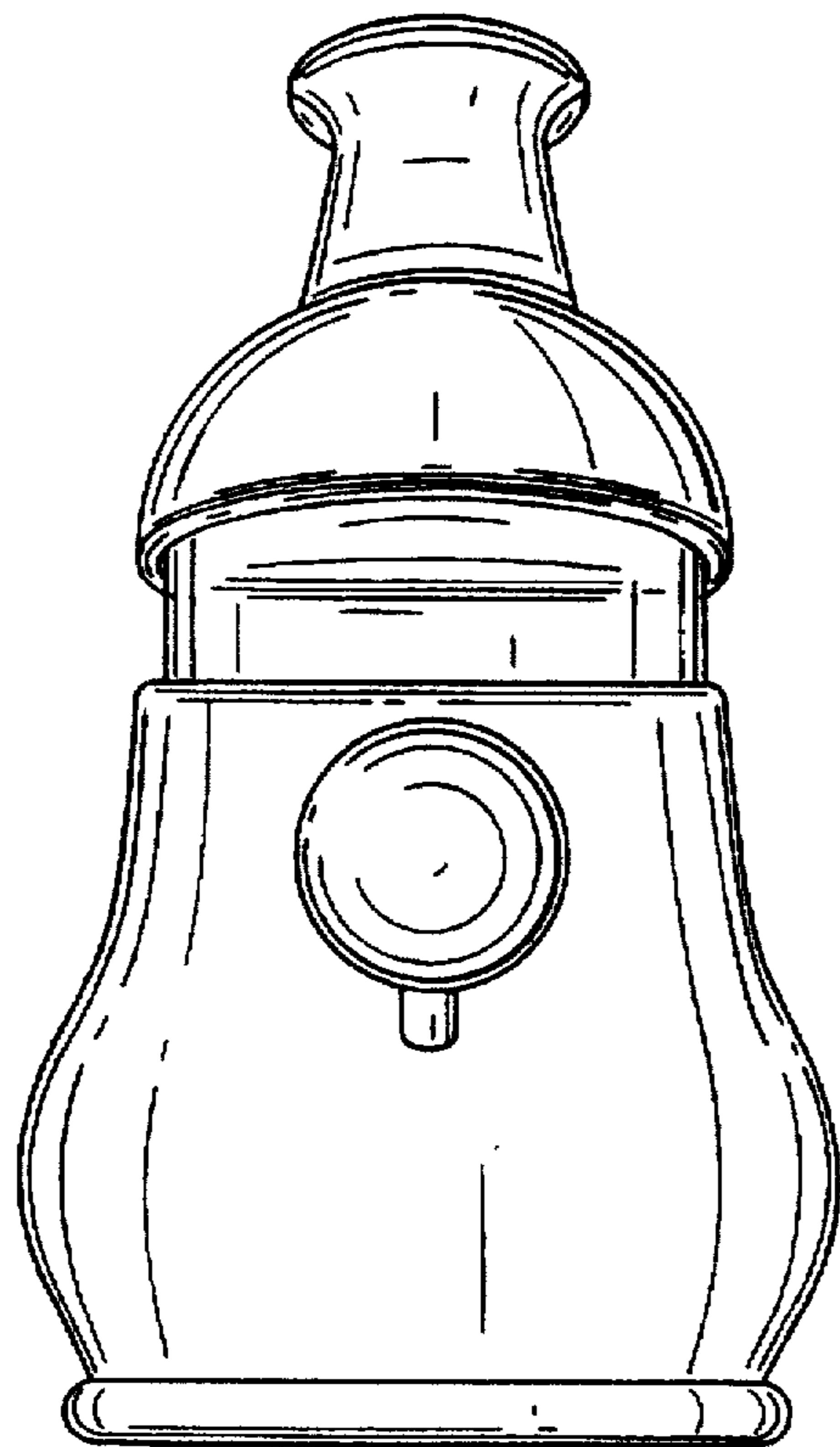


FIG. 6

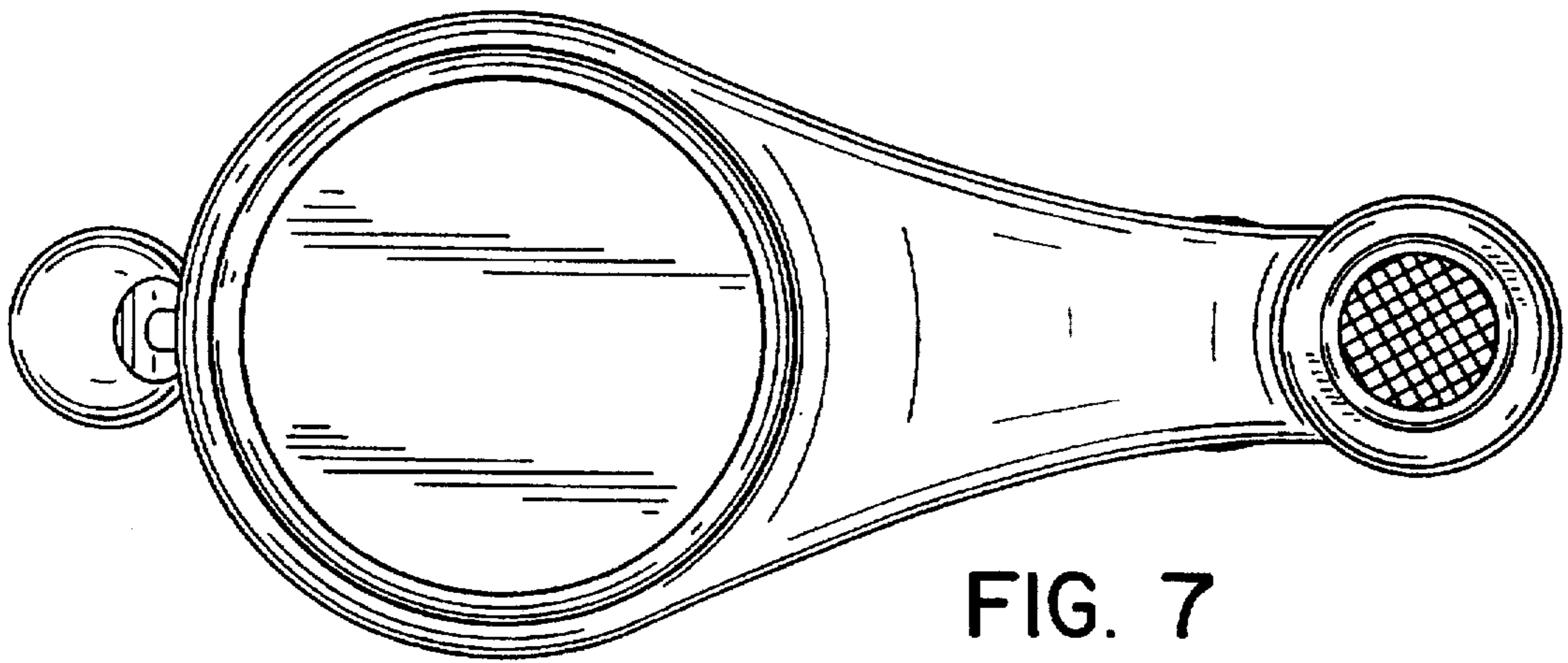


FIG. 7

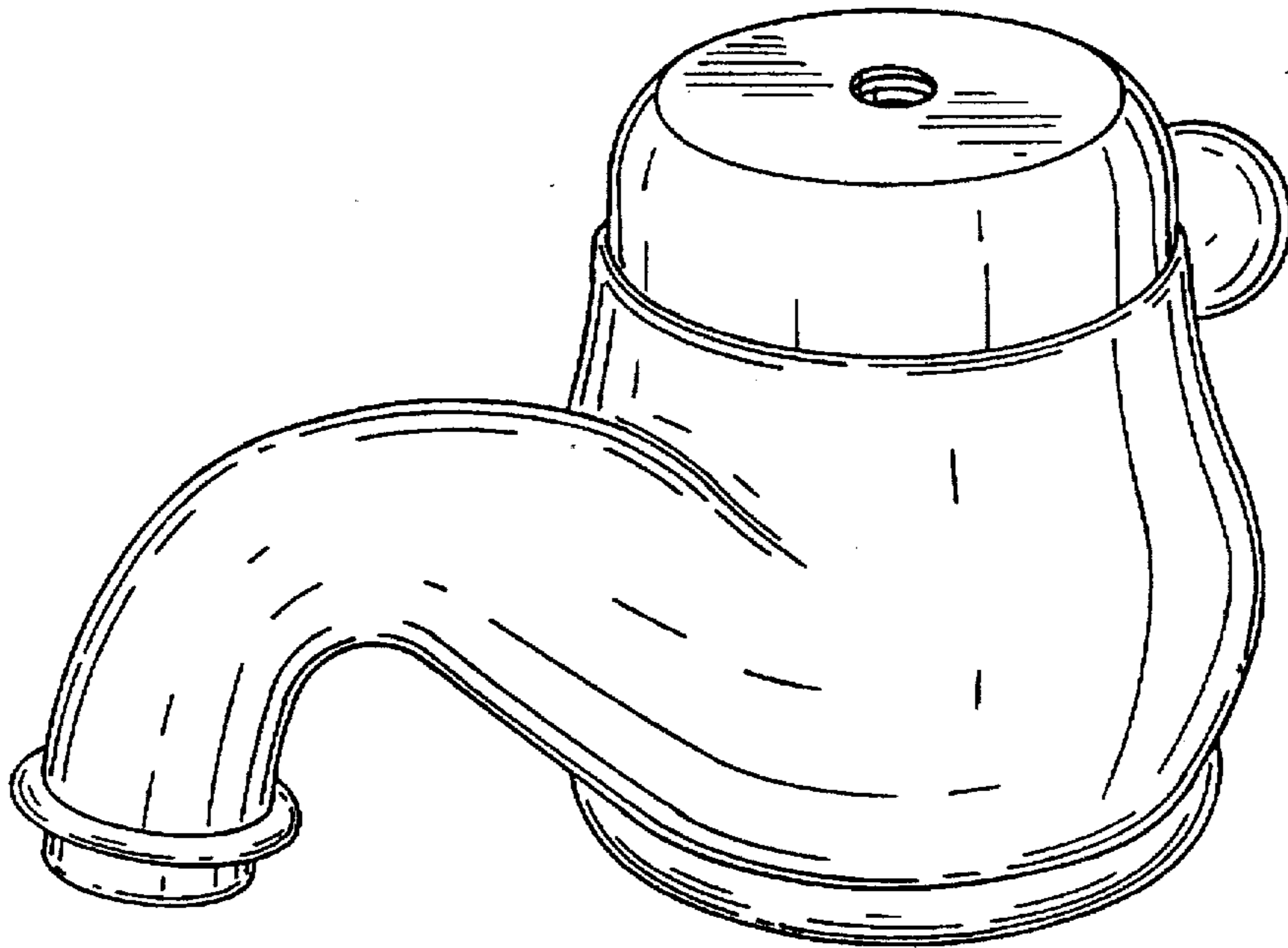


FIG. 8

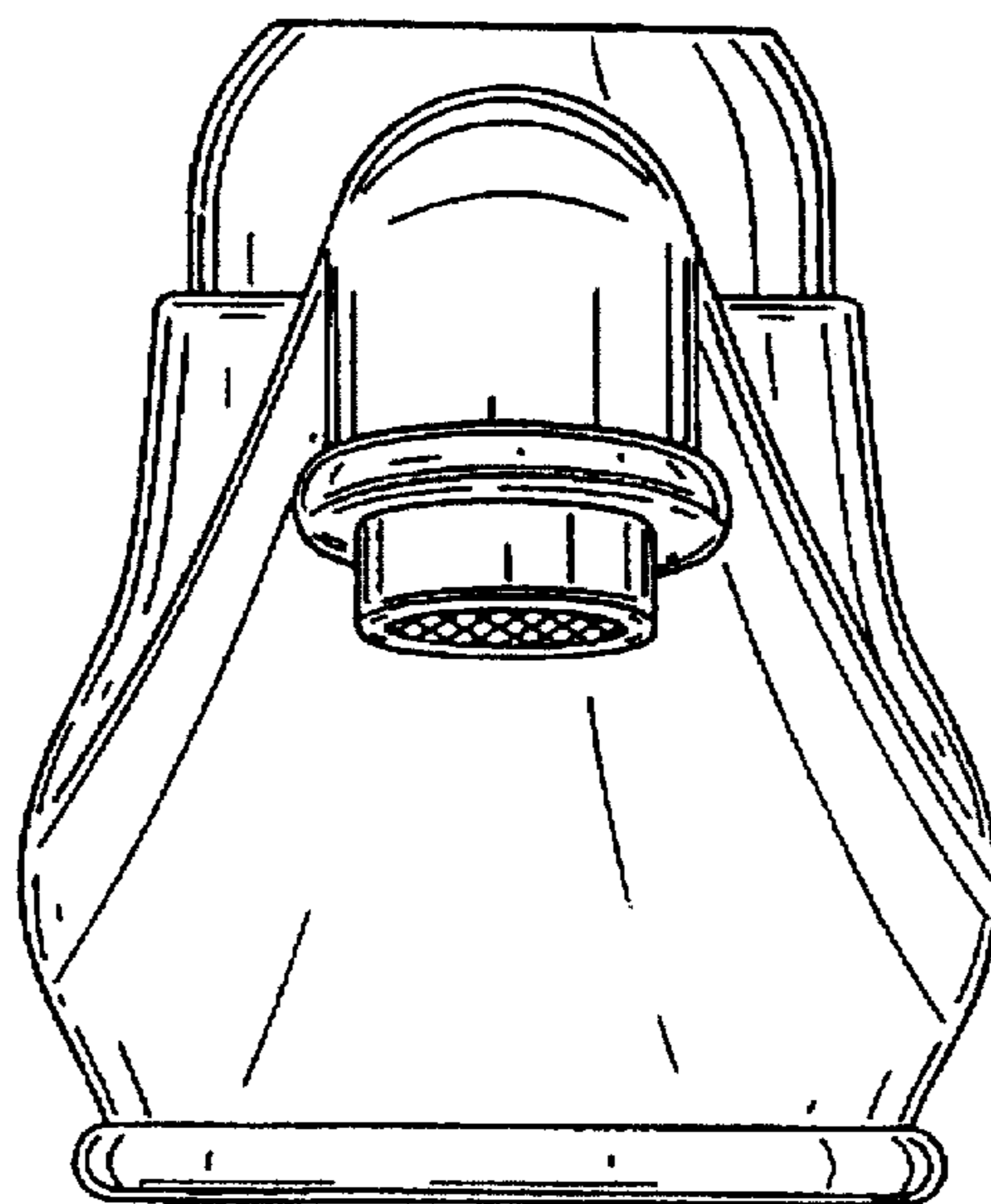
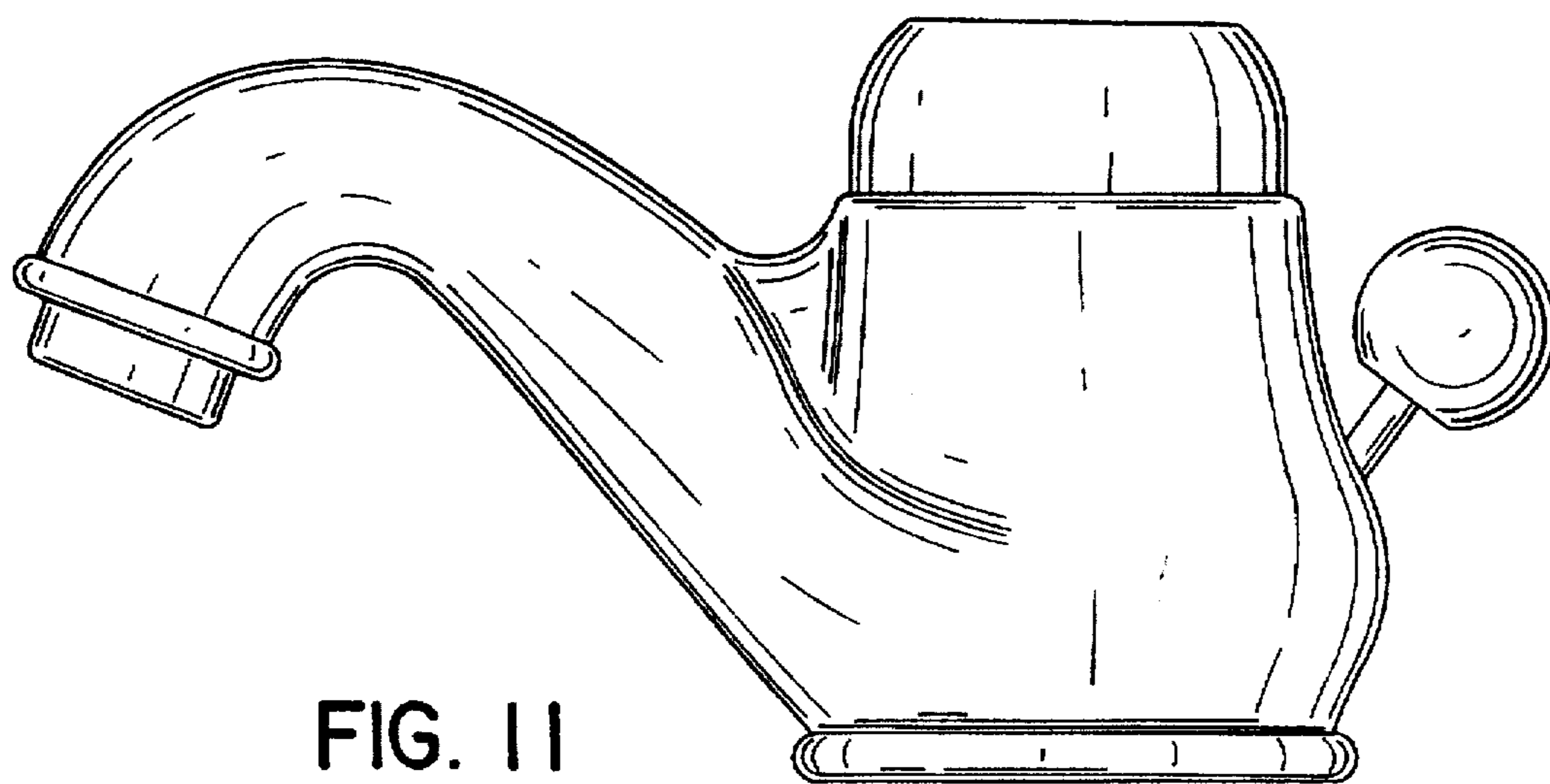
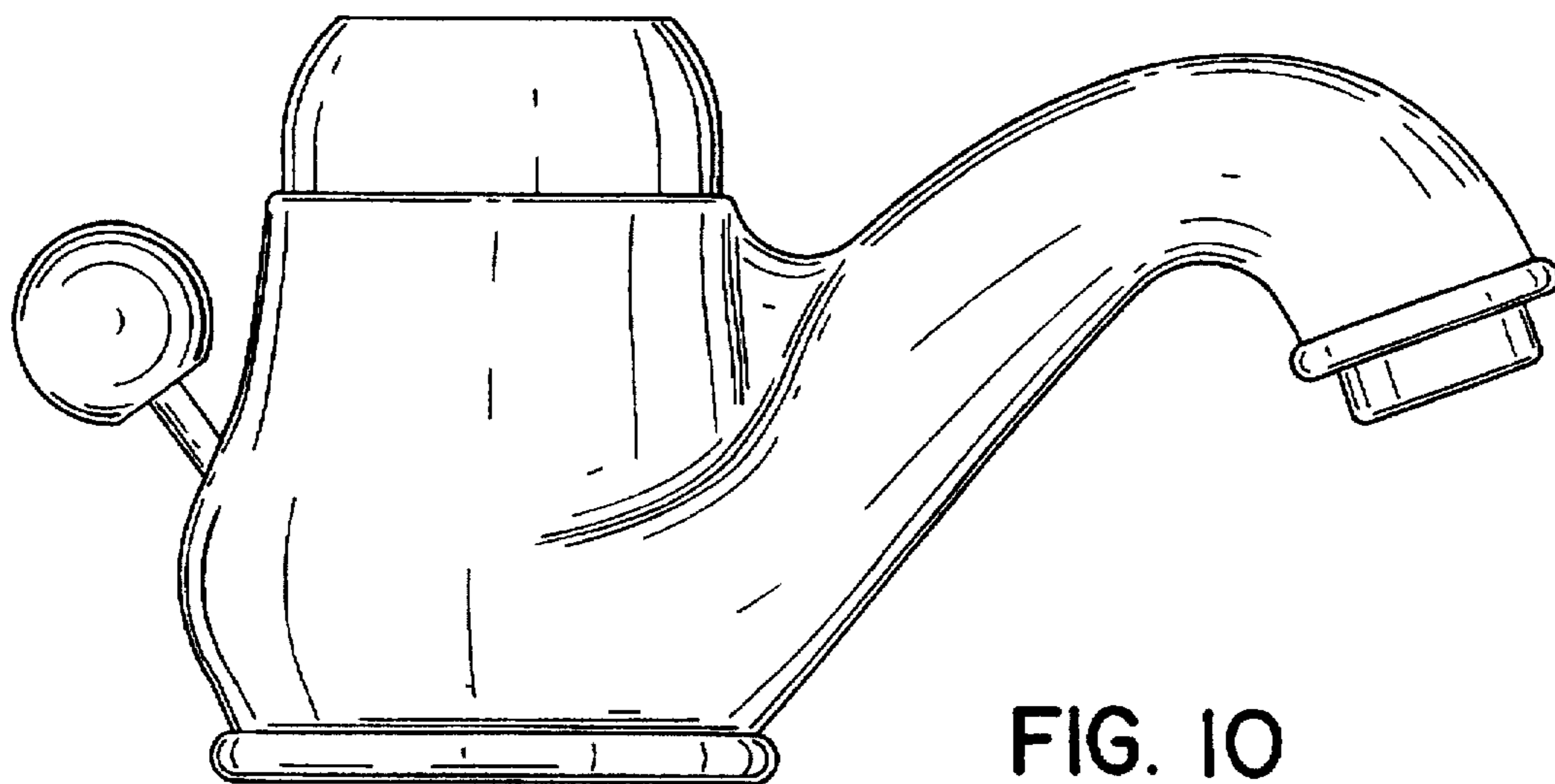


FIG. 9



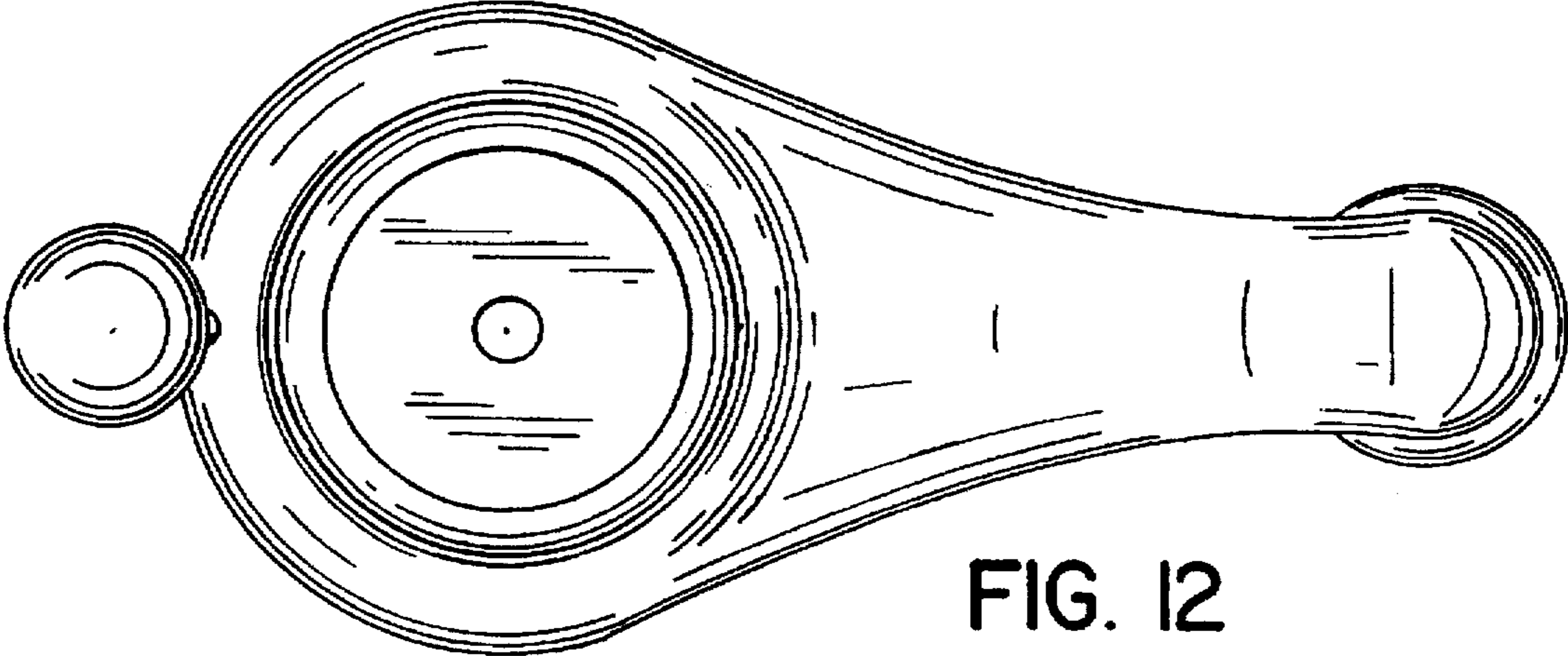


FIG. 12

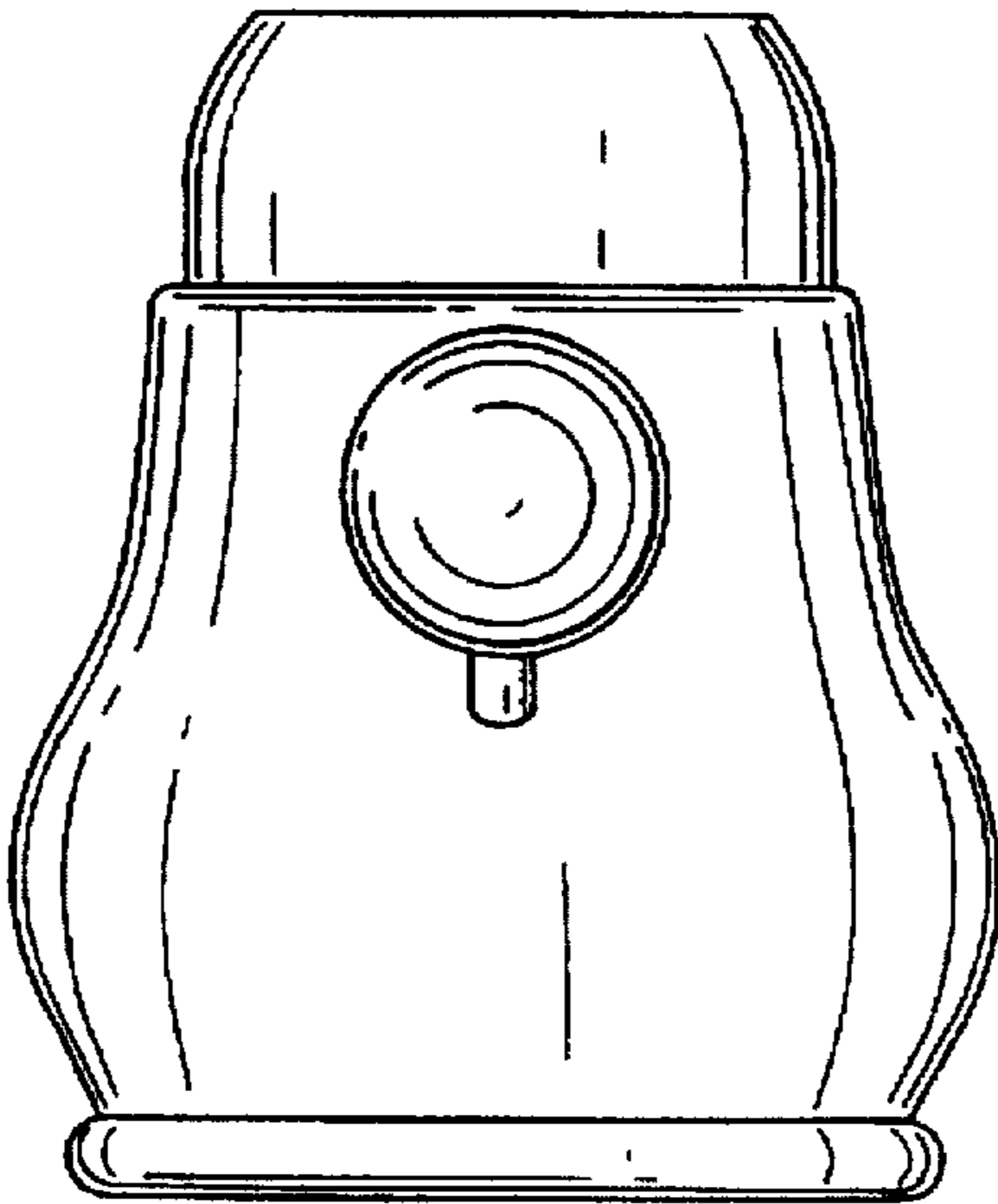


FIG. 13

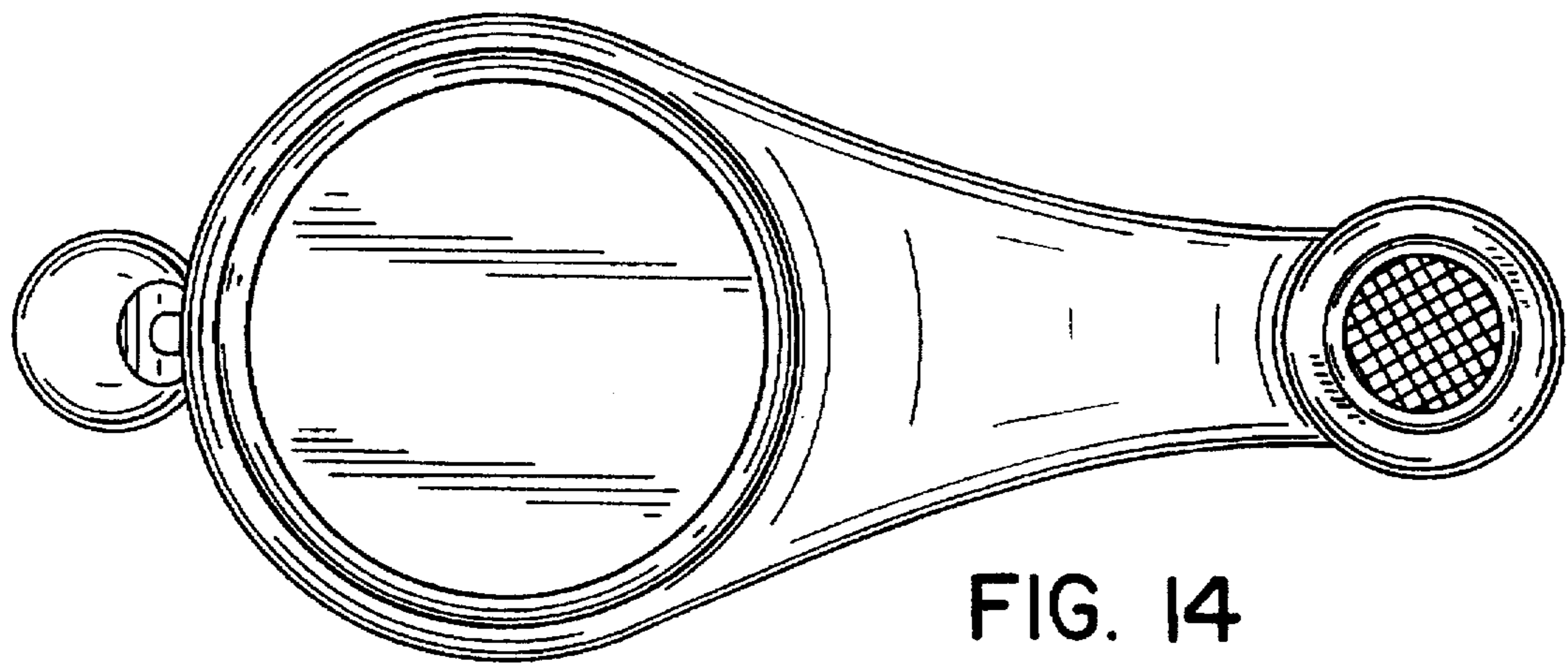


FIG. 14