



US00D384728S

United States Patent [19]
Weiler

[11] **Patent Number:** **Des. 384,728**
[45] **Date of Patent:** ****Oct. 7, 1997**

[54] **LAWNMOWER UNDERDECK WASHER**

Primary Examiner—Sandra L. Morris

[76] **Inventor:** **Clarence V. Weiler**, P.O. Box 55,
Athens, Wis. 54411

[57] **CLAIM**

[**] **Term:** **14 Years**

The ornamental design for a lawnmower underdeck washer,
as shown and described.

[21] **Appl. No.:** **48,132**

DESCRIPTION

[22] **Filed:** **Dec. 21, 1995**

FIG. 1 is a front elevational view of the lawnmower under-
deck washer showing my new design;

[51] **LOC (6) Cl.** **23-01**

FIG. 2 is a rear elevational view thereof;

[52] **U.S. Cl.** **D23/214; D15/17**

FIG. 3 is a left side elevational view thereof;

[58] **Field of Search** **D15/10, 14-17;**
118/315; 239/273, DIG. 6; D23/214, 217,
218, 219, 221

FIG. 4 is a right side elevational view thereof;

FIG. 5 is a top plan view thereof;

FIG. 6 is a bottom plan view thereof; and,

[56] **References Cited**

FIG. 7 is a reduced perspective view thereof, showing the
design in use, the broken line showing of the hose and water
is for illustrative purposes only, and forms no part of the
claimed design.

U.S. PATENT DOCUMENTS

D. 330,583	10/1992	Strong	D23/214
2,070,665	2/1937	Lepper	D23/214
3,040,990	6/1962	Gotti	239/273
4,962,888	10/1990	Beccaria et al.	239/273

1 Claim, 3 Drawing Sheets

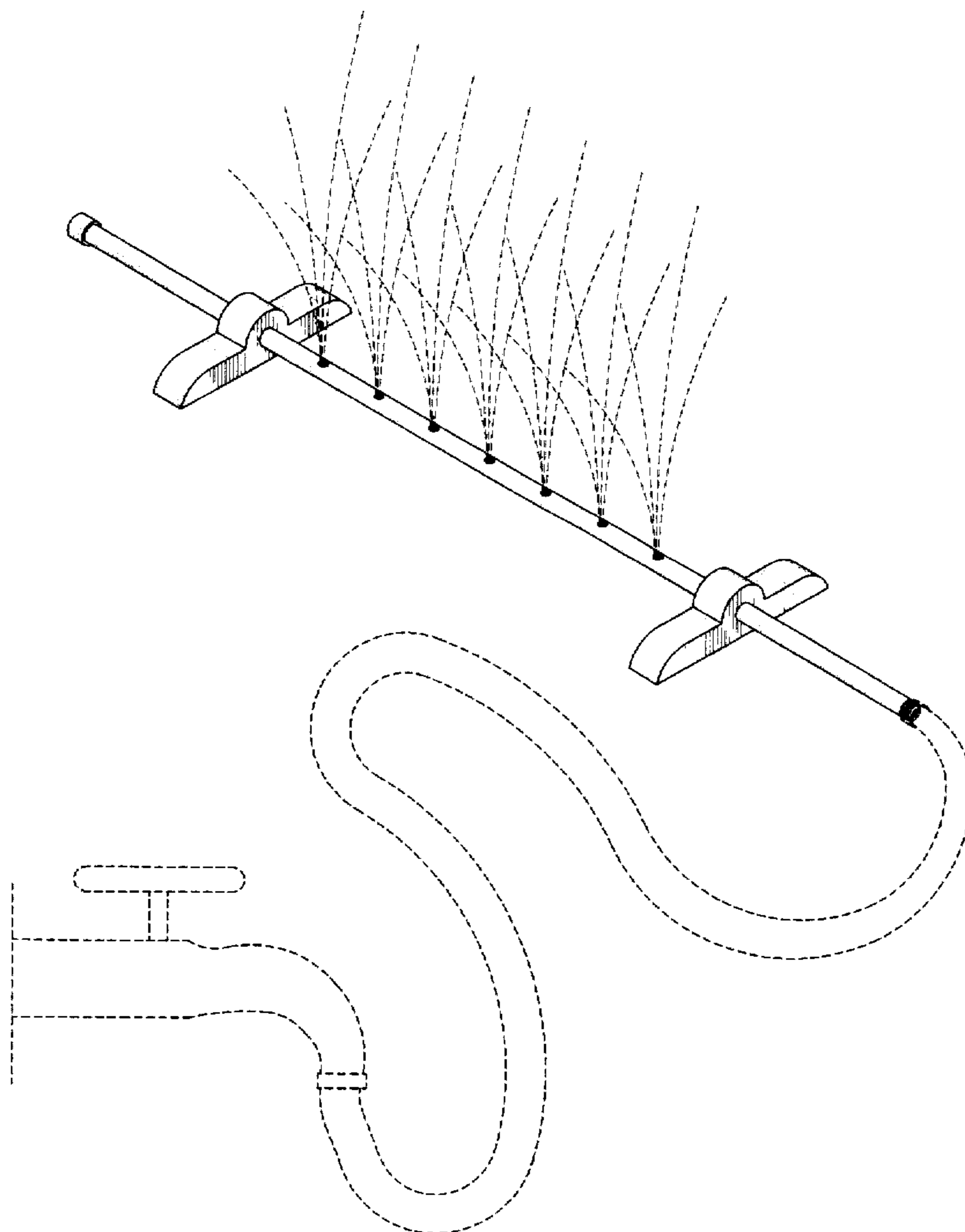


FIG. 1

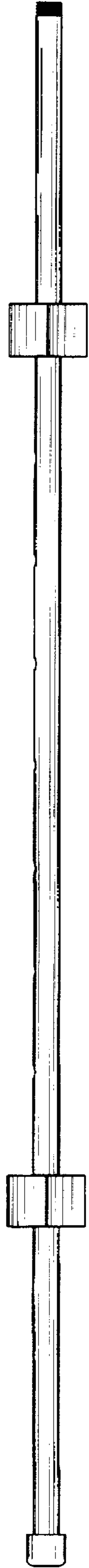


FIG. 2



FIG. 3

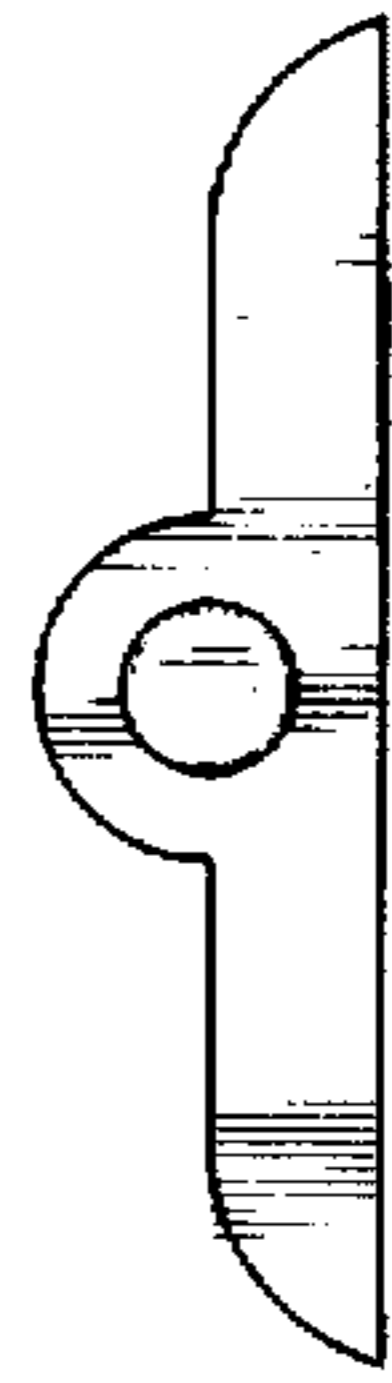


FIG. 4



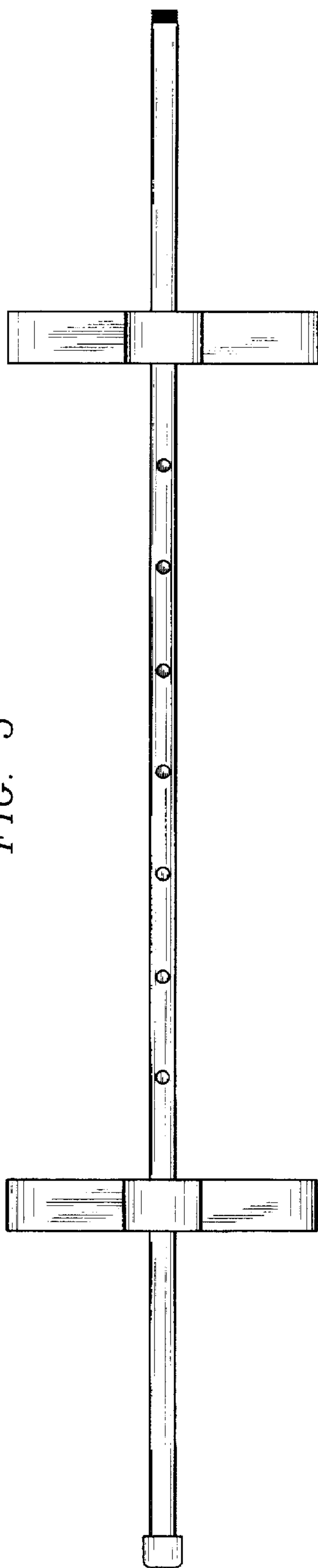


FIG. 5

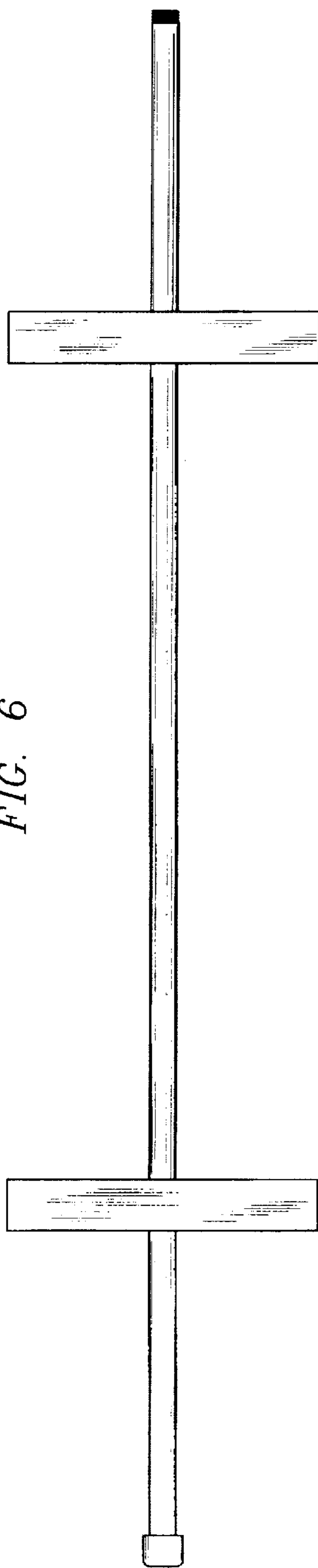


FIG. 6

FIG. 7

