



US00D384727S

United States Patent [19]
Yamaguchi

[11] **Patent Number: Des. 384,727**
[45] **Date of Patent: ***Oct. 7, 1997**

[54] **LINE ROLLER FOR A SPINNING FISHING REEL**

[75] **Inventor: Kaname Yamaguchi, Higashikurume, Japan**

[73] **Assignee: Daiwa Seiko, Inc., Tokyo, Japan**

[*] **Notice: The portion of the term of this patent subsequent to Jan. 14, 2011, has been disclaimed.**

[**] **Term: 14 Years**

[21] **Appl. No.: 51,047**

[22] **Filed: Feb. 29, 1996**

[30] **Foreign Application Priority Data**

Sep. 1, 1995 [JP] Japan 7-25680
Feb. 5, 1996 [JP] Japan 8-2727

[51] **LOC (6) Cl. 22-05**

[52] **U.S. Cl. D22/141**

[58] **Field of Search D22/141, 140;
242/230, 231, 232, 233, 615.2, 157 R;
D23/269**

[56] **References Cited**

U.S. PATENT DOCUMENTS

D. 196,724 10/1963 Davis, Jr. D23/269 X
D. 285,247 8/1986 Jornhagen D23/269

OTHER PUBLICATIONS

Korean Utility Model Unexamined Publication No. 94-4769, issued on Mar. 16, 1994.

Japanese Utility Model Examined Publication No. Sho-30-5881, issued on Apr. 27, 1955 (Applicant: Mr. Yoshio Ueno).

Japanese Utility Model Unexamined Publication No. Sho-58-194680, issued on Dec. 24, 1983 (Applicant: Shimano Industrial Co., Ltd.).

Primary Examiner—Doris V. Coles

Attorney, Agent, or Firm—Cushman Darby & Cushman IP Group of Pillsbury Madison & Sutro LLP

[57] **CLAIM**

The ornamental design for a line roller for a spinning fishing reel, as shown and described.

DESCRIPTION

FIG. 1 is a front and left side of the perspective view of a line roller for a spinning fishing reel showing my new design; FIG. 2 is a front elevational view thereof; FIG. 3 is a left side elevational view thereof; FIG. 4 is a right side elevational view thereof; FIG. 5 is a cross sectional view at No. 5 of FIG. 2; FIG. 6 is a front and left side of the perspective view of the other embodiment showing my new design; FIG. 7 is a front elevational view thereof; FIG. 8 is a left side elevational view thereof; FIG. 9 is a right side elevational view thereof; and, FIG. 10 is a cross sectional view at No. 10 of FIG. 7.

1 Claim, 2 Drawing Sheets

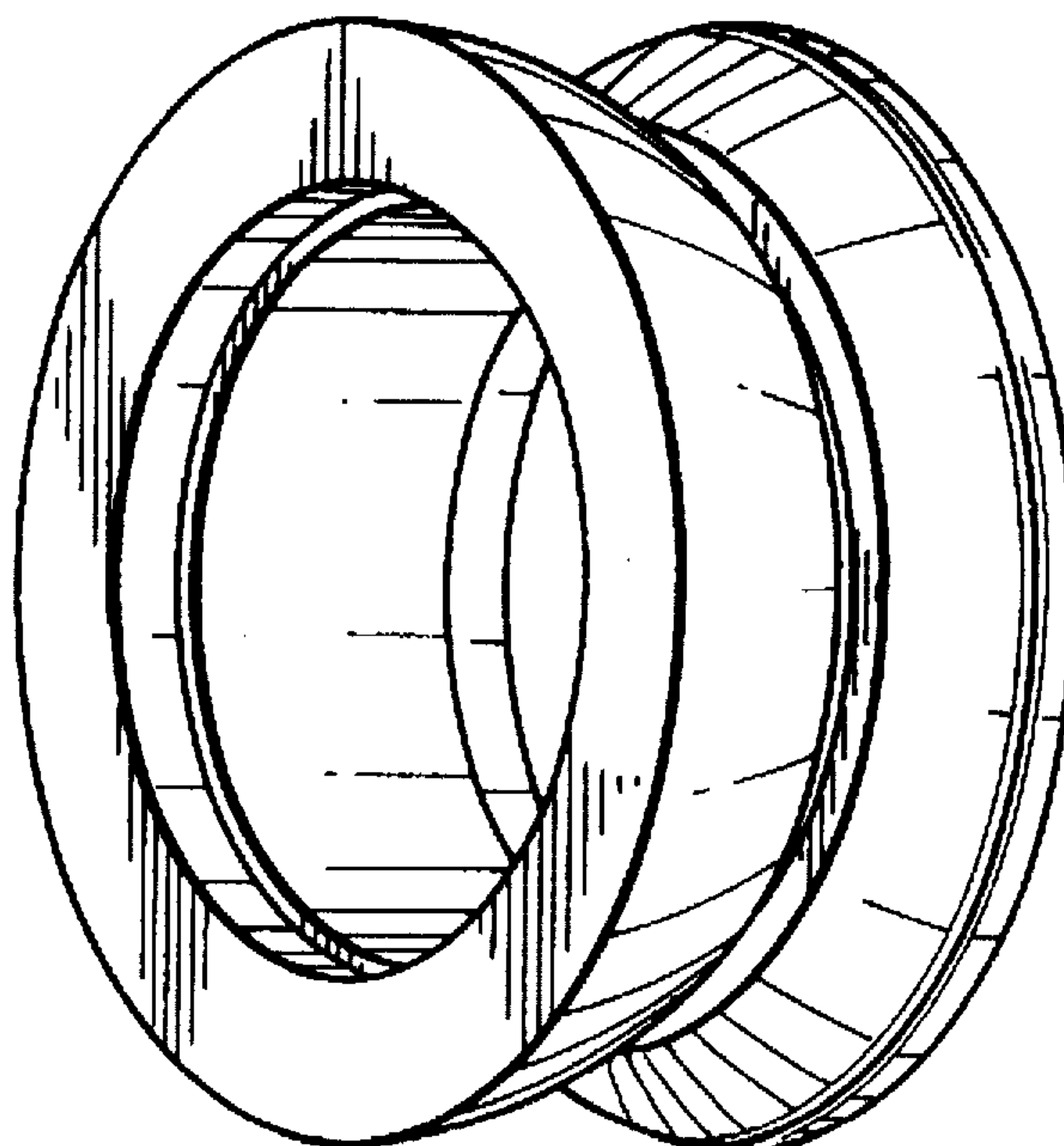


FIG. 1

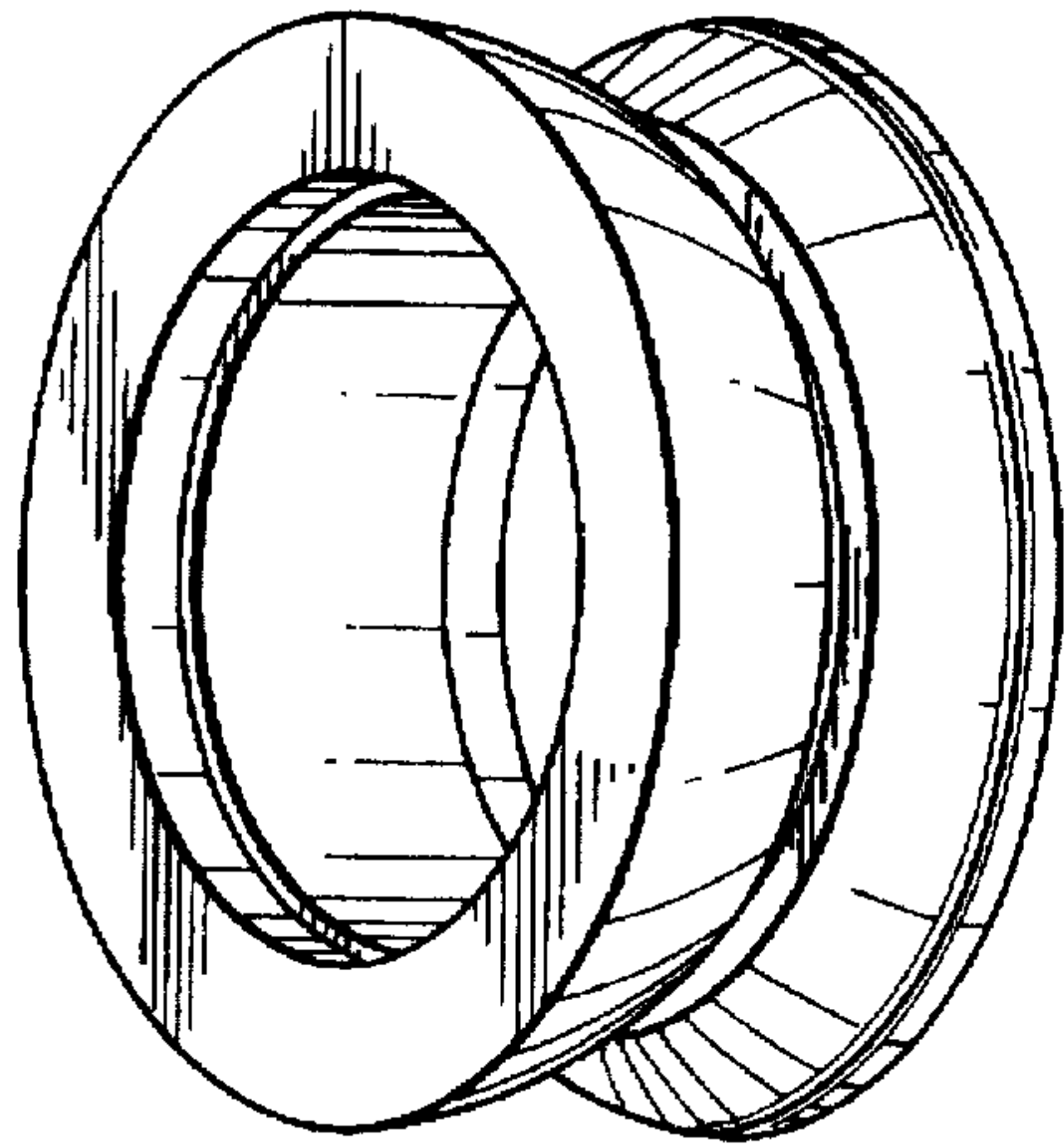


FIG. 2

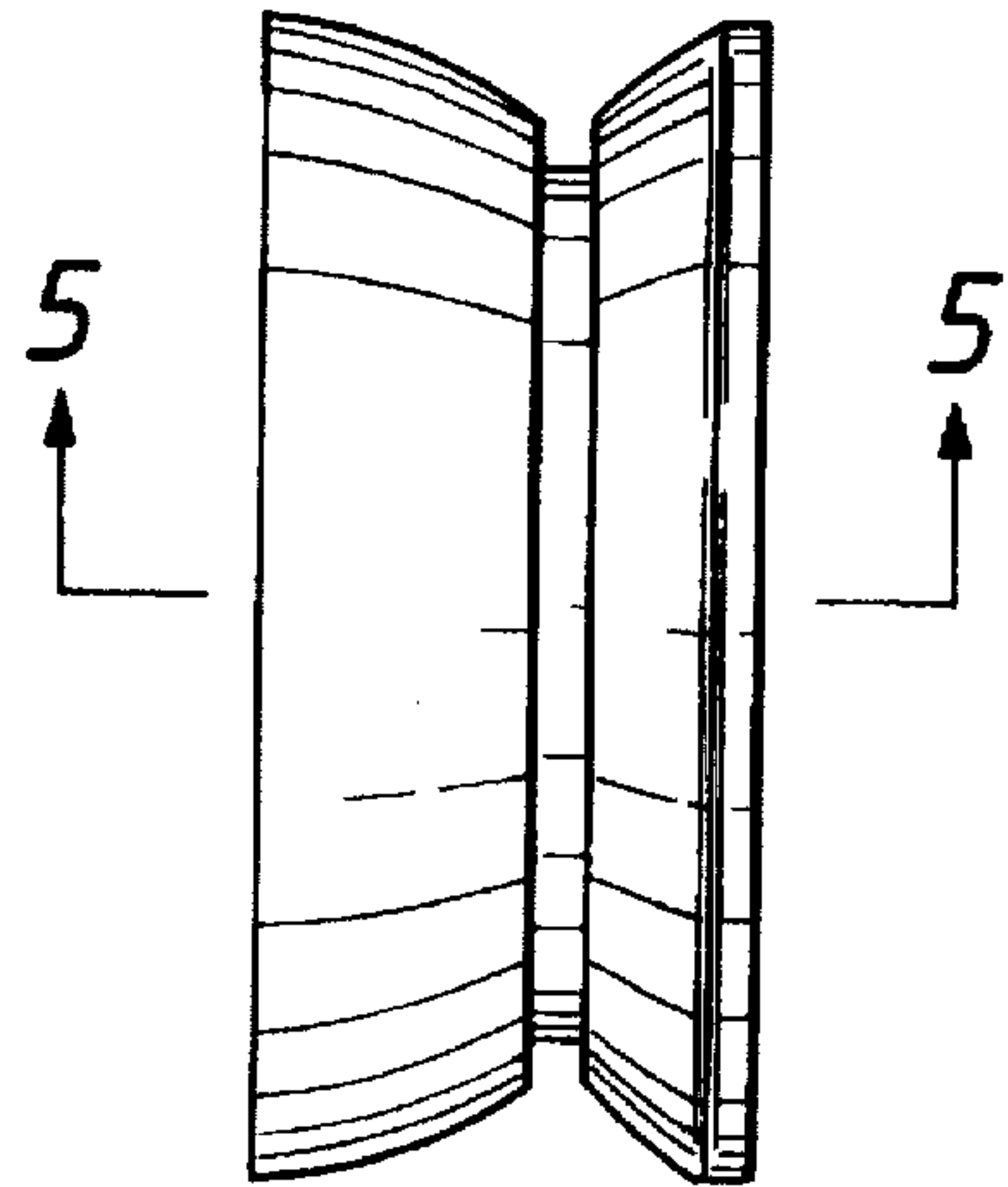


FIG. 3

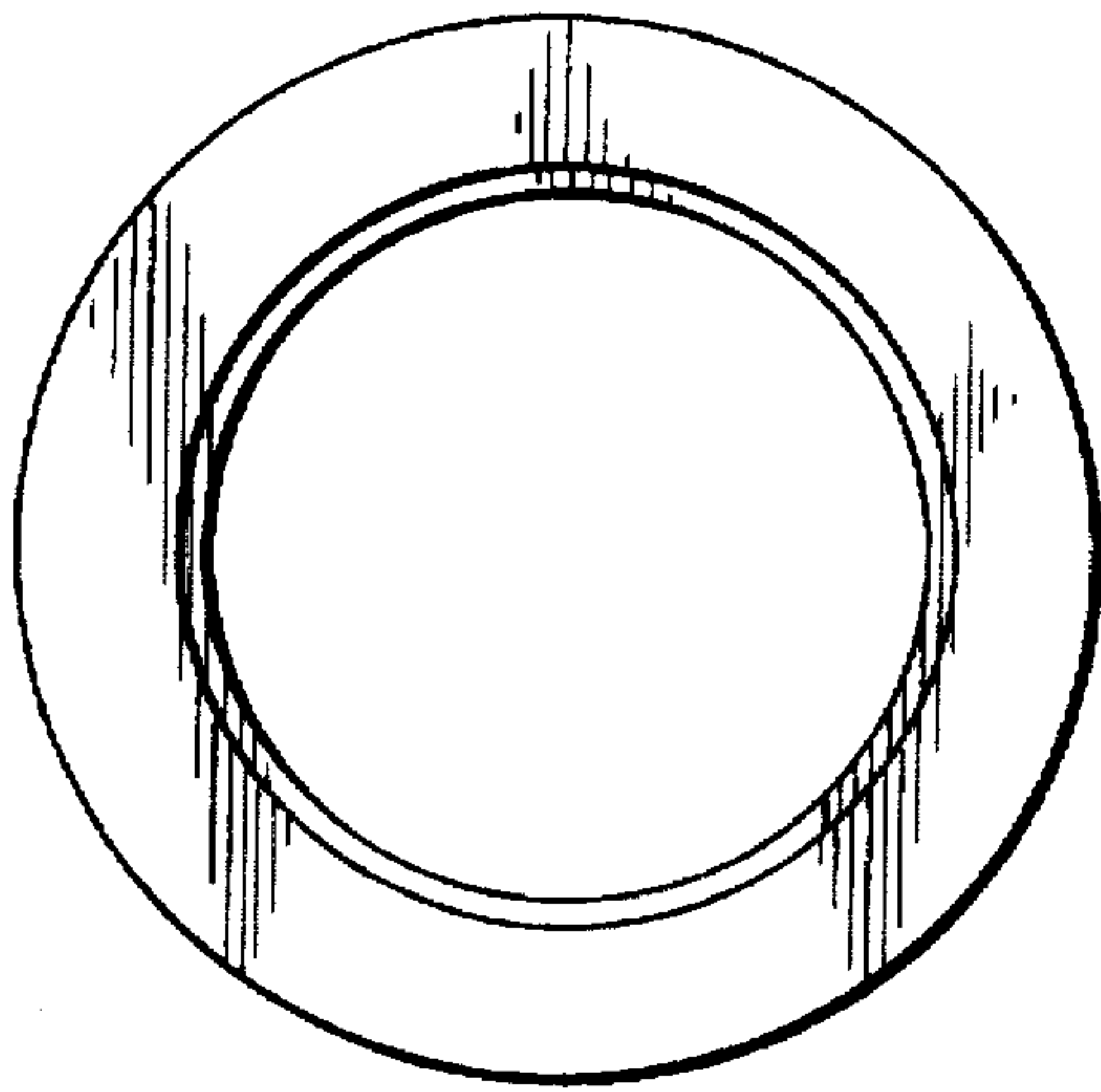


FIG. 4

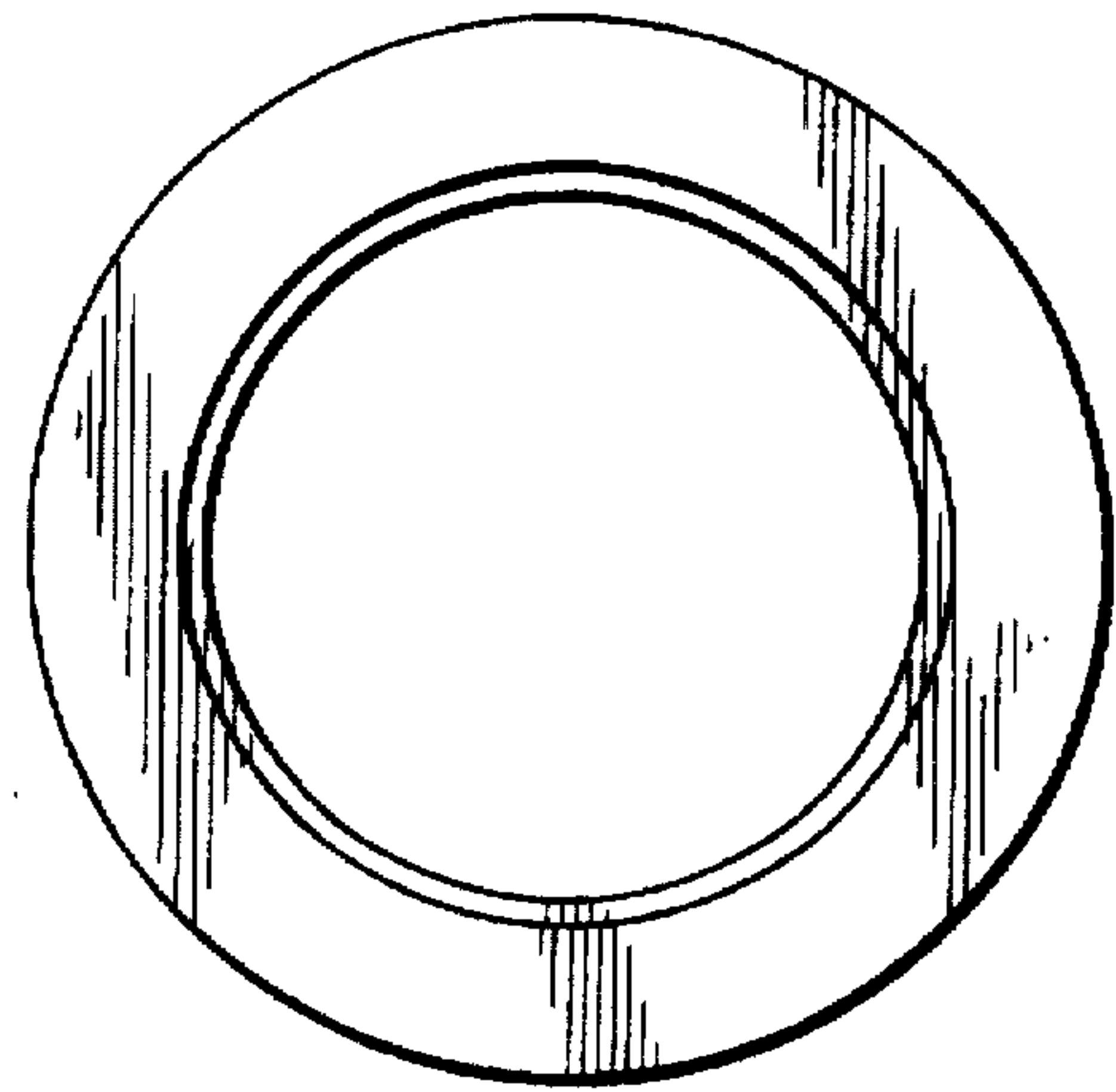


FIG. 5

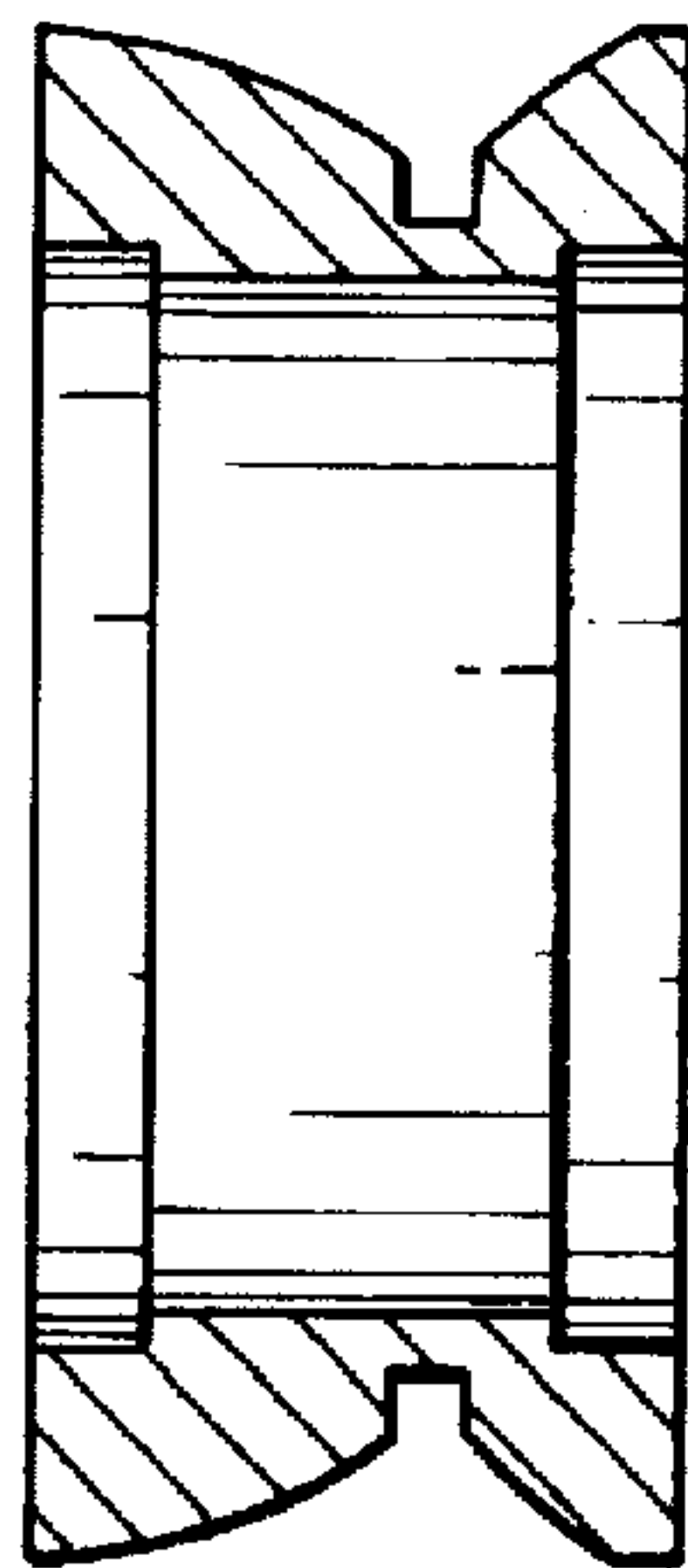


FIG. 6

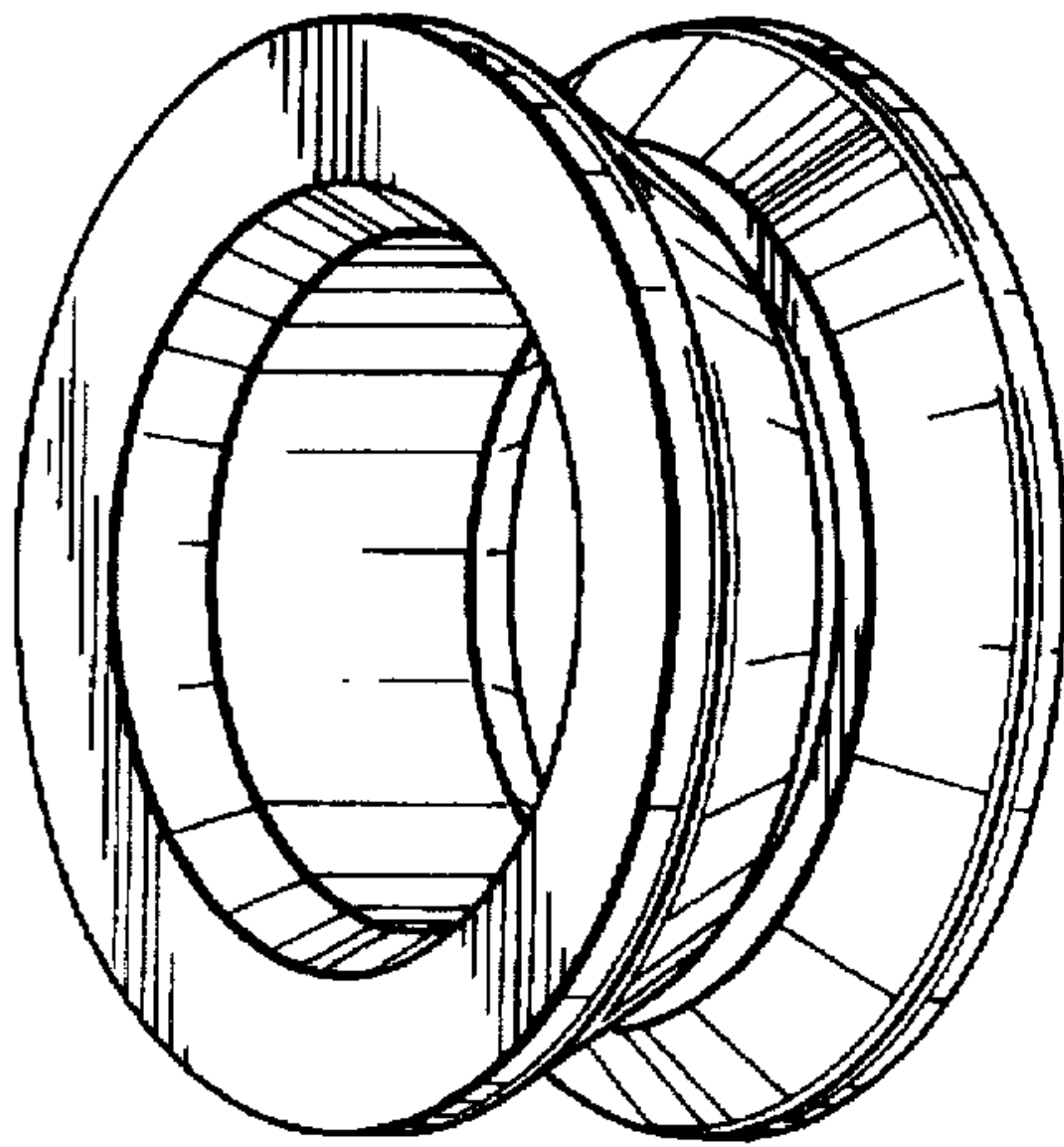


FIG. 7

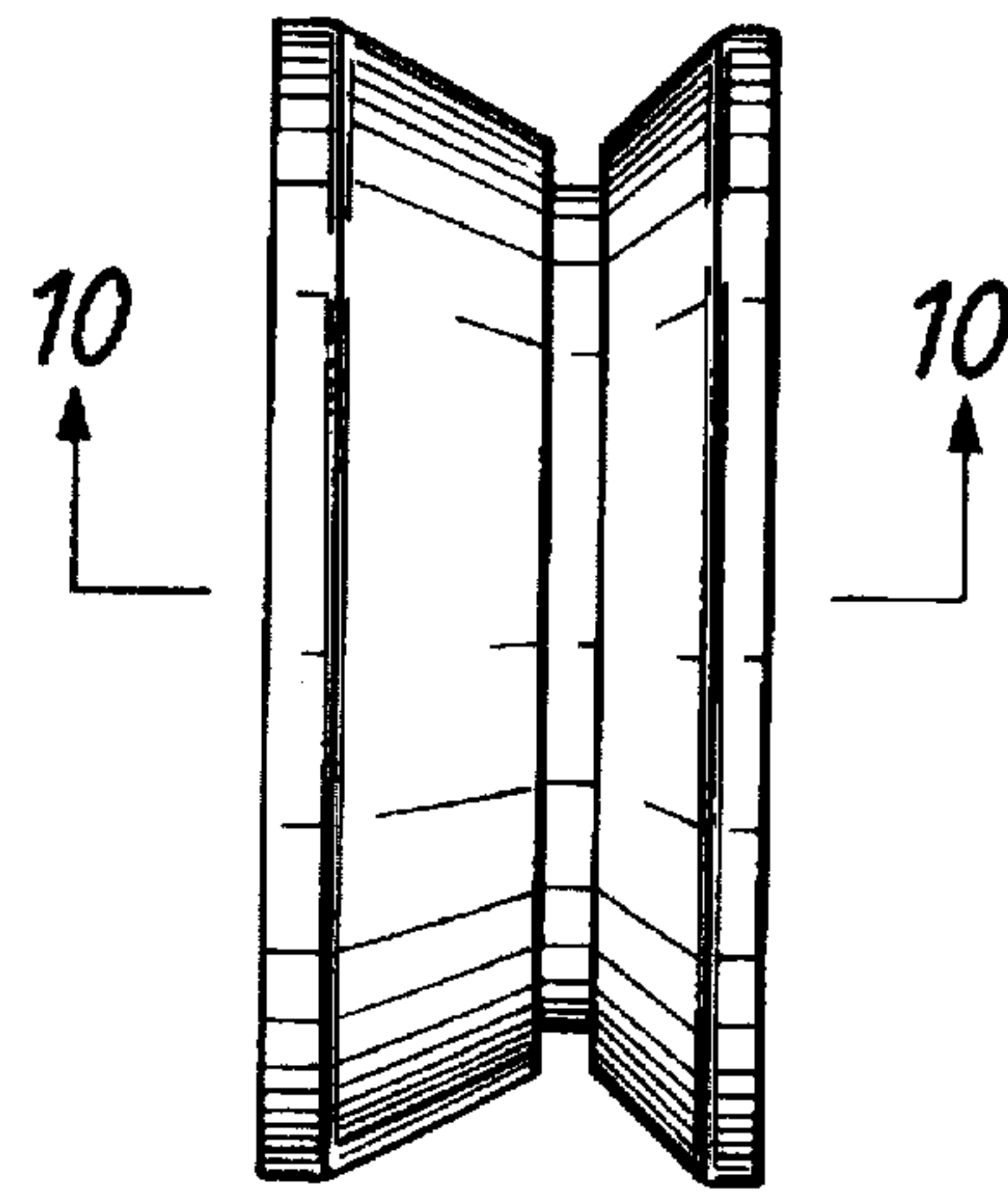


FIG. 8

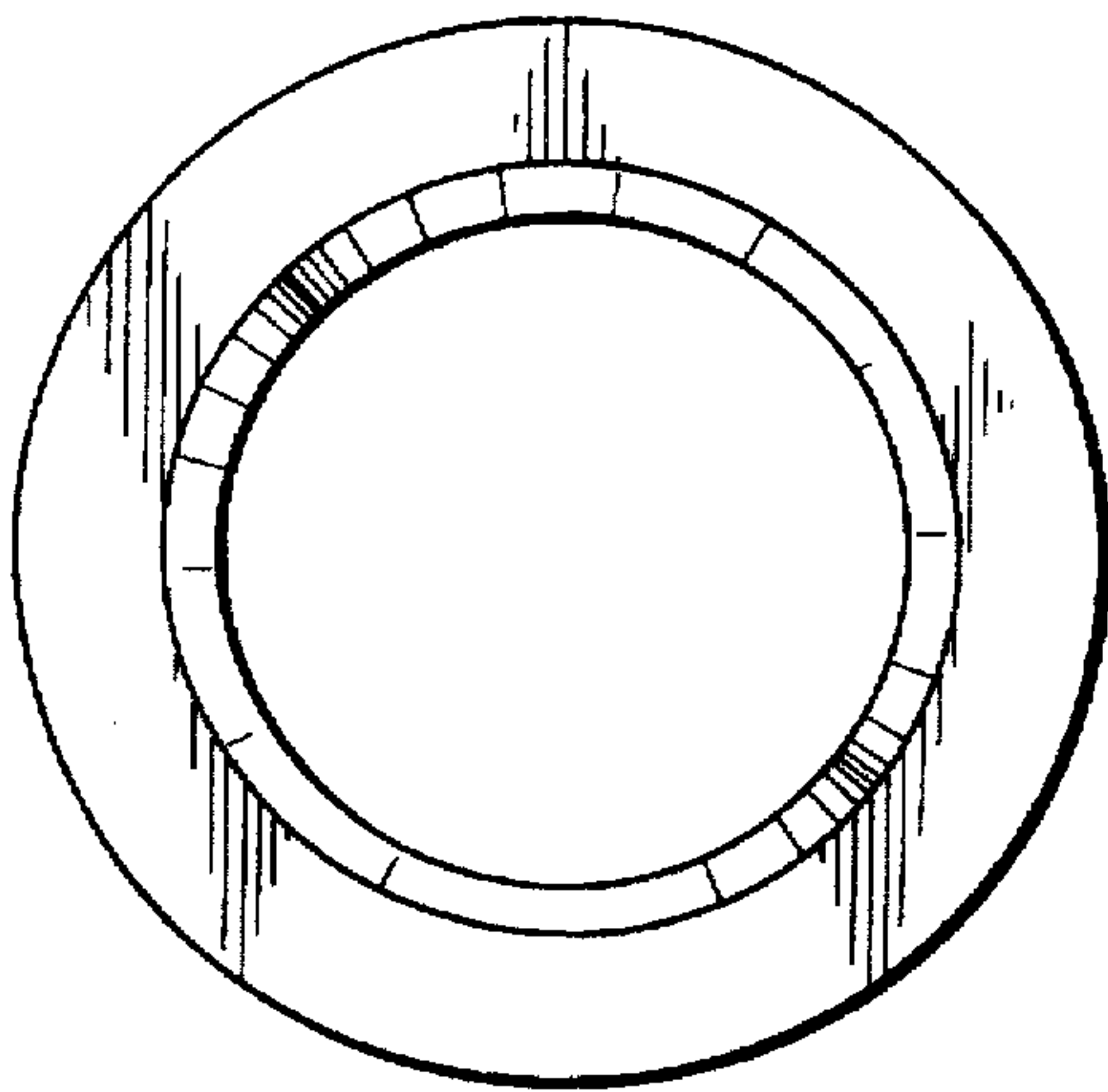


FIG. 9

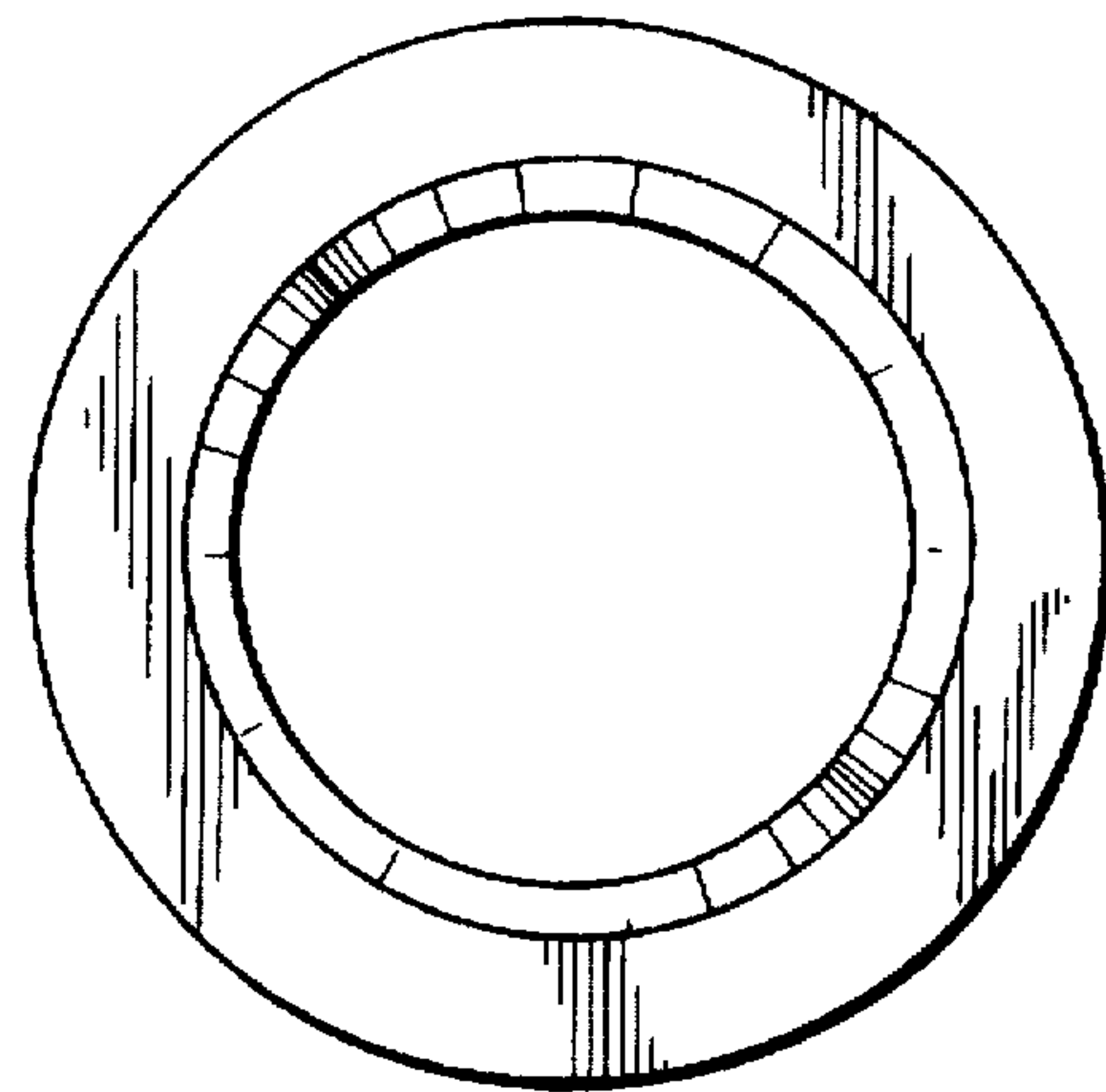


FIG. 10

