



US00D384724S

United States Patent [19]

Uke et al.

[11] Patent Number: **Des. 384,724**

[45] Date of Patent: ****Oct. 7, 1997**

[54] **COMBINED DIVER'S KNIFE HANDLE AND SHEATH**

[75] Inventors: **Alan K. Uke**, Del Mar; **E. Fred Fischer**, San Diego; **William J. Monteleone**, Fallbrook, all of Calif.

[73] Assignee: **Underwater Kinetics**, San Marcos, Calif.

[**] Term: **14 Years**

[21] Appl. No.: **39,173**

[22] Filed: **May 22, 1995**

[51] LOC (6) Cl. **22-02**

[52] U.S. Cl. **D22/118**

[58] Field of Search **D22/118; D3/220; 30/151, 339, 162; 224/232, 904, 233, 230, 242**

[56] **References Cited**

U.S. PATENT DOCUMENTS

D. 303,001	8/1989	Su	D22/118
D. 317,037	5/1991	Koshiishi	D22/118
D. 334,791	4/1993	Collins	D22/118

4,404,747	9/1983	Collins	30/151
5,067,239	11/1991	Collins	30/151
5,255,436	10/1993	Yoshida	30/151
5,379,520	1/1995	Collins	30/151 X

OTHER PUBLICATIONS

Cutlery Shoppe, Summer 1994, p. 5 Dive Knives.

Primary Examiner—Doris V. Coles

Attorney, Agent, or Firm—Brown, Martin, Haller & McClain

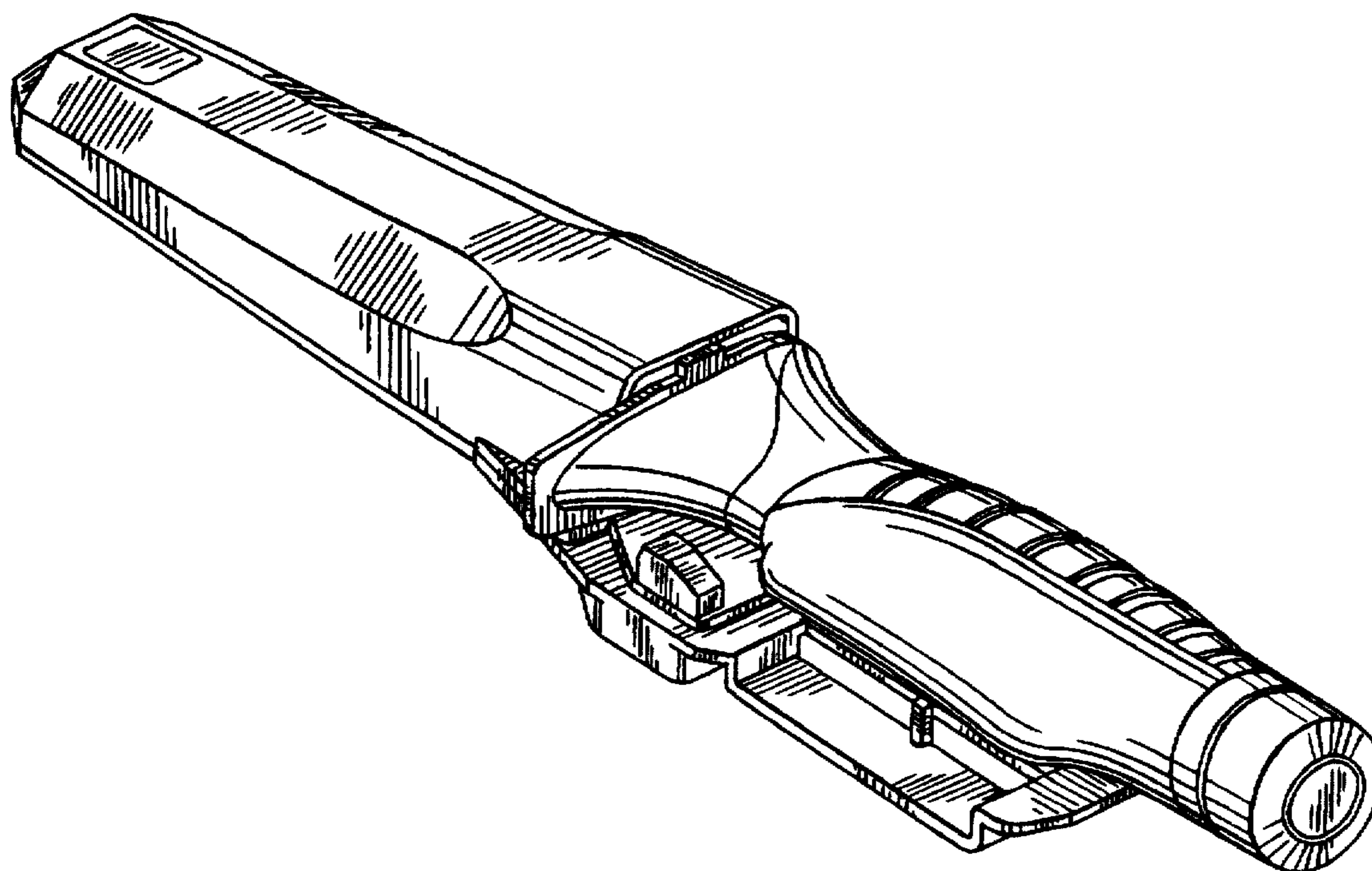
[57] **CLAIM**

The ornamental design for a combined diver's knife handle and sheath, as shown and described.

DESCRIPTION

FIG. 1 is a perspective view of a combined diver's knife handle and sheath showing our new design;
 FIG. 2 is a top plan view thereof;
 FIG. 3 is a top end view thereof;
 FIG. 4 is a bottom end view thereof;
 FIG. 5 is a side elevational view thereof; and,
 FIG. 6 is a bottom plan view thereof.

1 Claim, 2 Drawing Sheets



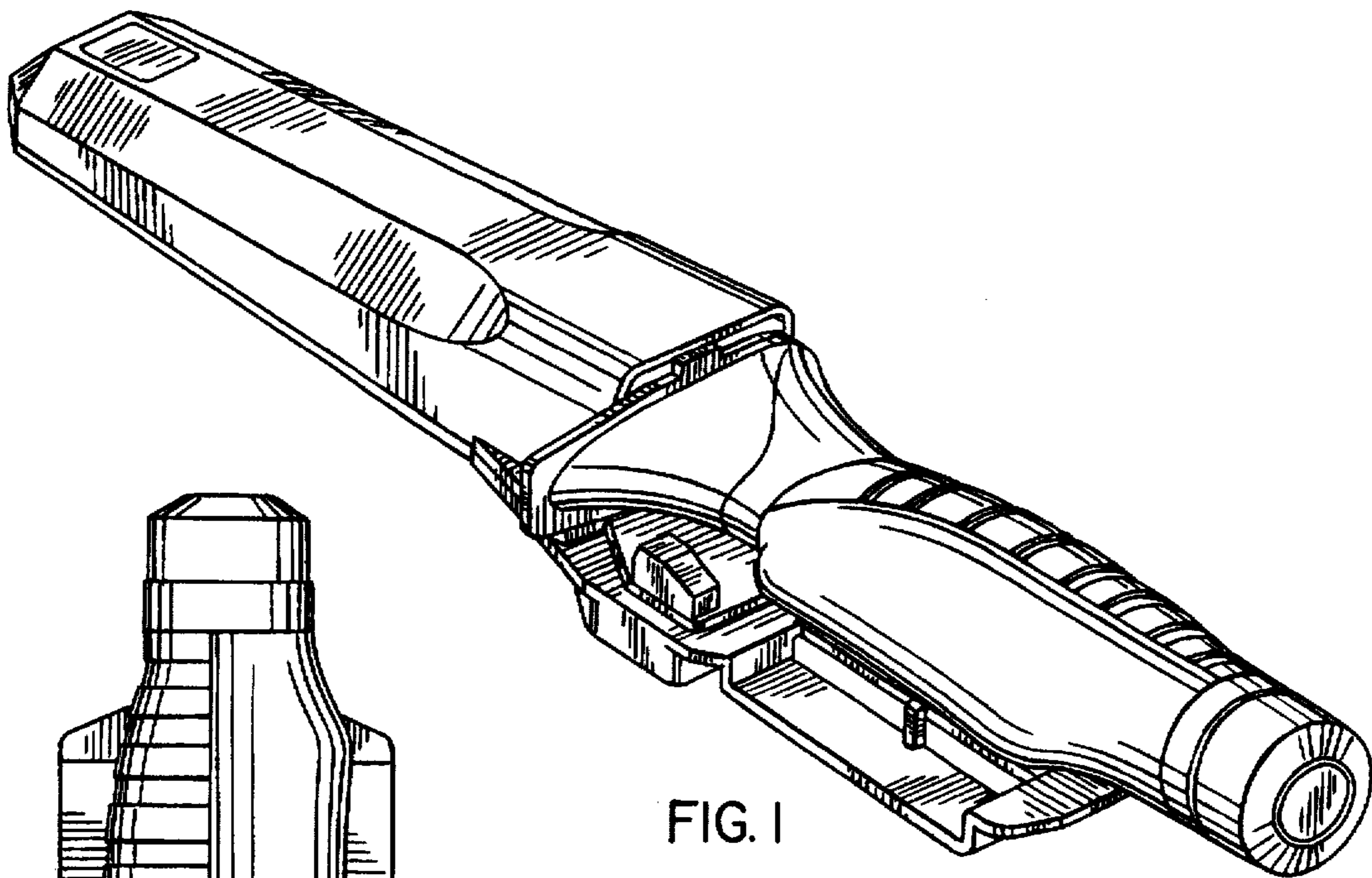


FIG. 1

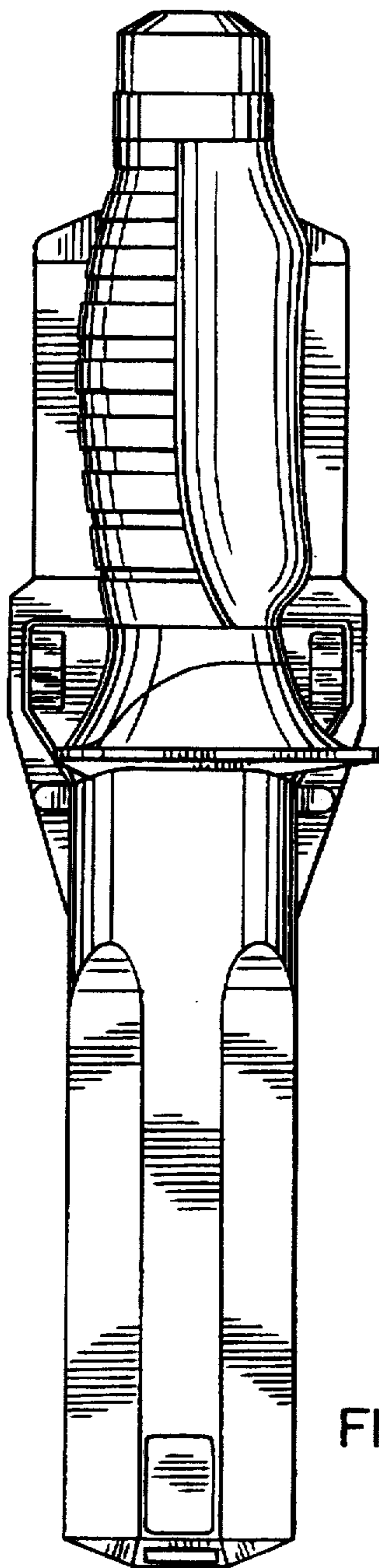


FIG. 2

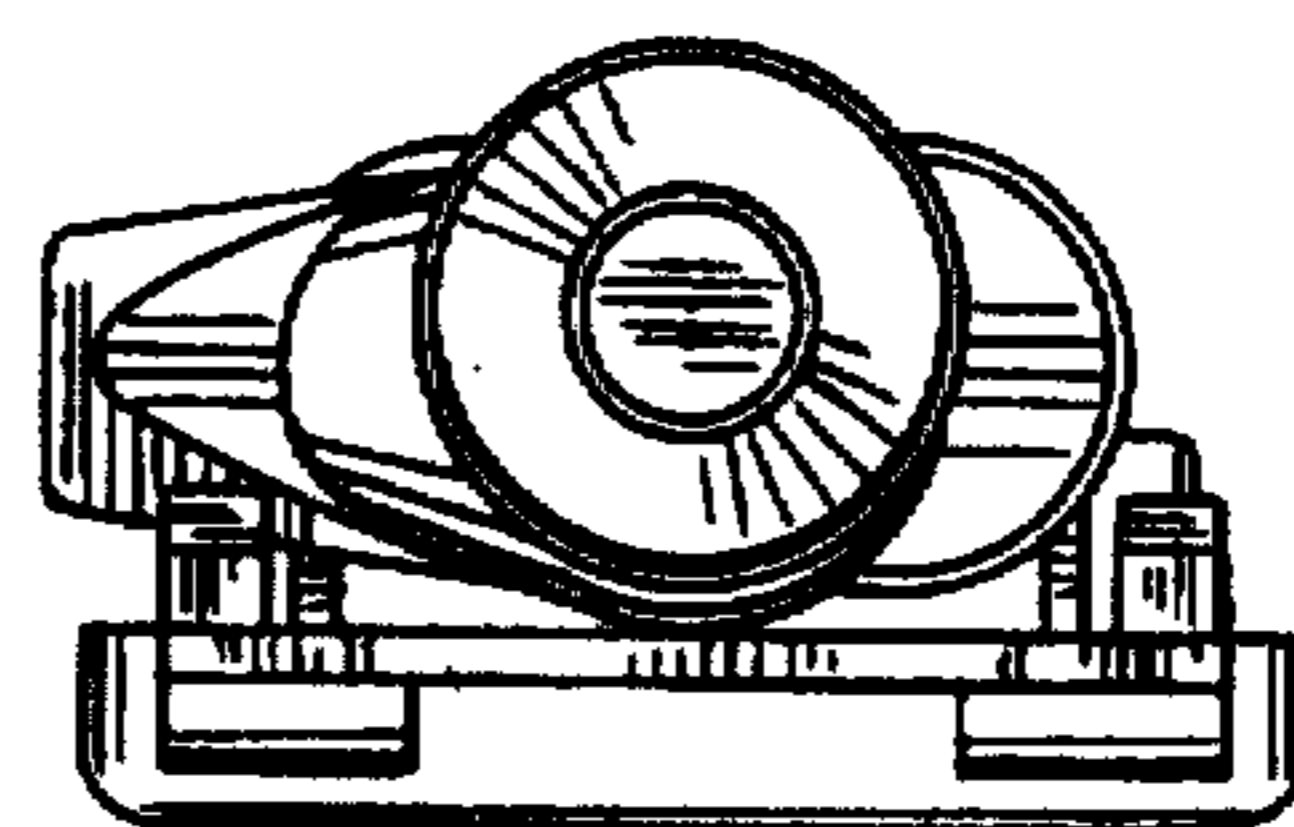


FIG. 3

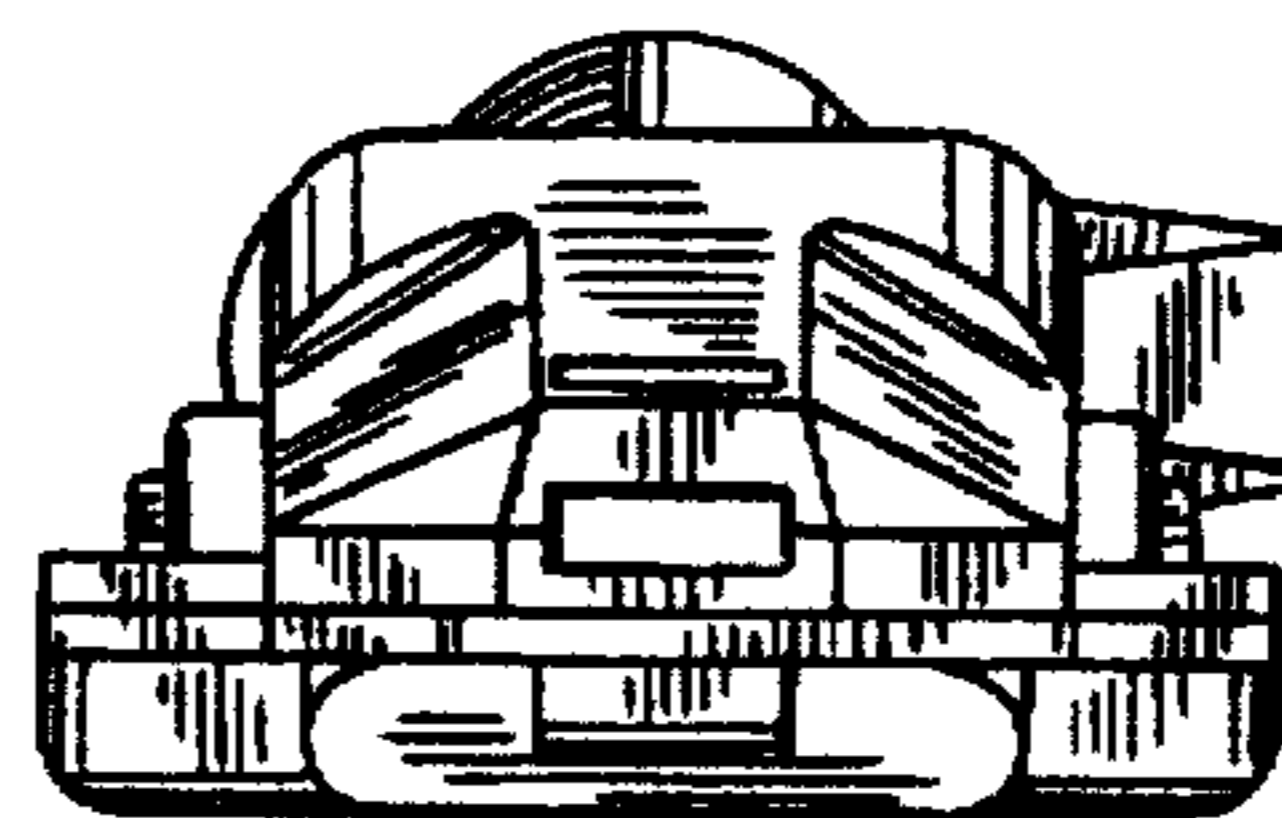


FIG. 4

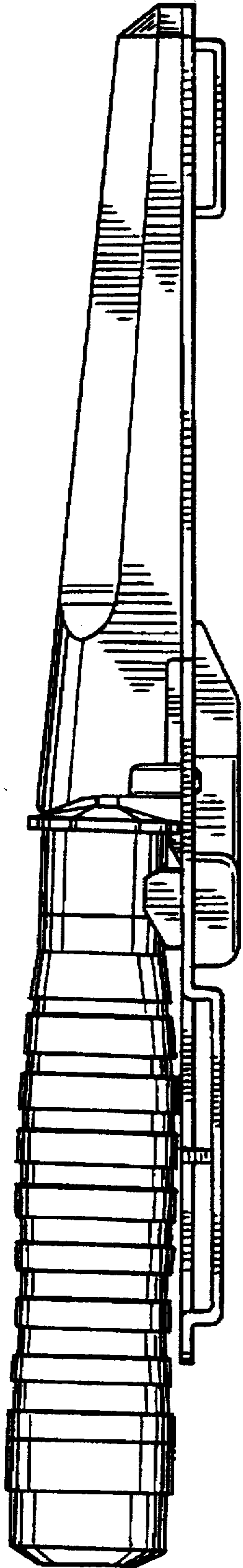


FIG. 5

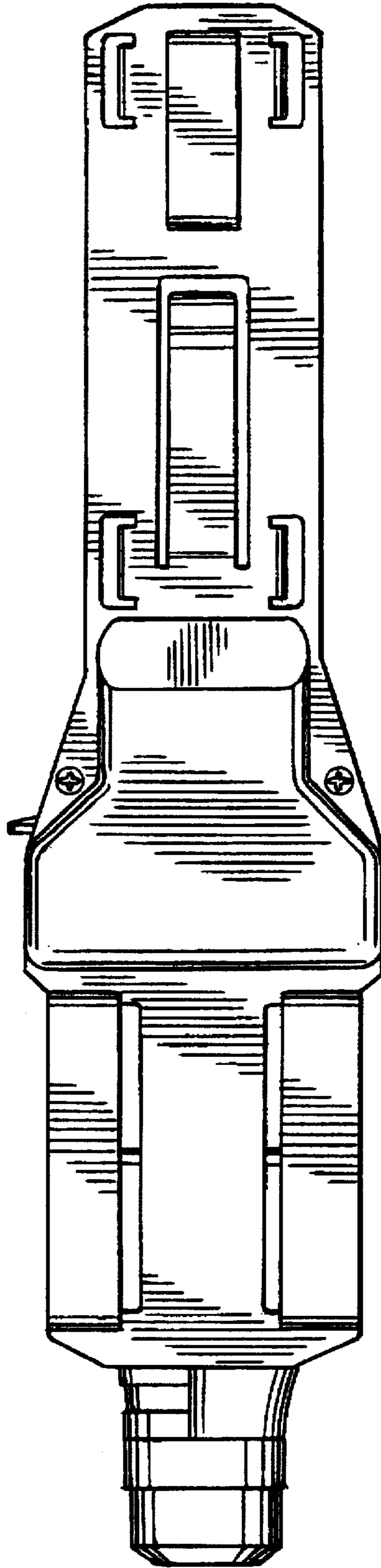


FIG. 6