



US00D384722S

United States Patent [19]

Siragusa, Jr. et al.

[11] Patent Number: Des. 384,722

[45] Date of Patent: **Oct. 7, 1997

[54] TWO-SURFACE REVERSIBLE SLIDE

[75] Inventors: **Ross D. Siragusa, Jr.; Wesley D. Sutton**, both of Fort Payne; **Brian Henry**, Rainsville, all of Ala.

[73] Assignee: **GameTime, Inc.**, Ft. Payne, Ala.

[**] Term: **14 Years**

[21] Appl. No.: **58,394**

[22] Filed: **Aug. 14, 1996**

[51] LOC (6) Cl. **21-03**

[52] U.S. Cl. **D21/244**

[58] Field of Search **D21/240-244;**
472/116, 117; 482/35, 36

3,831,934 8/1974 Hancovsky .
4,149,710 4/1979 Rouchard .
4,379,551 4/1983 Ahrens .
4,487,411 12/1984 Ahrens .

OTHER PUBLICATIONS

GameTime, Inc., "Park & Playground 1995", (1994), pp. 90, 91, 92 and 93.

Primary Examiner—Raphael Barkai
Assistant Examiner—Mitchell I. Siegel
Attorney, Agent, or Firm—Welsh & Katz, Ltd.

[57] CLAIM

The ornamental design for a two-surface reversible slide, as shown and described.

DESCRIPTION

FIG. 1 is a perspective view of a two-surface reversible slide embodying the principles of the present invention; FIG. 2 is a front view of the slide of FIG. 1, the rear view being a mirror image thereof; FIG. 3 is a top view of the slide of FIG. 1, the bottom view being a mirror image thereof; and, FIG. 4 is a side view of the slide of FIG. 1 as seen from the right hand side of FIG. 1, the opposite side view being a mirror image thereof.

[56] References Cited

U.S. PATENT DOCUMENTS

D. 217,172	4/1970	Schumm .	
D. 330,743	11/1992	Mercer	D21/244
D. 343,438	1/1994	Fish, Jr.	D21/244
D. 344,773	3/1994	Aker et al.	D21/244
D. 347,458	5/1994	Cunard et al.	D21/243
D. 355,692	2/1995	Houry et al.	D21/244
D. 374,700	10/1996	Van Huystee	D21/244
D. 377,203	1/1997	Jaeb	D21/244
3,780,469	12/1973	Hancovsky	46/25

1 Claim, 2 Drawing Sheets

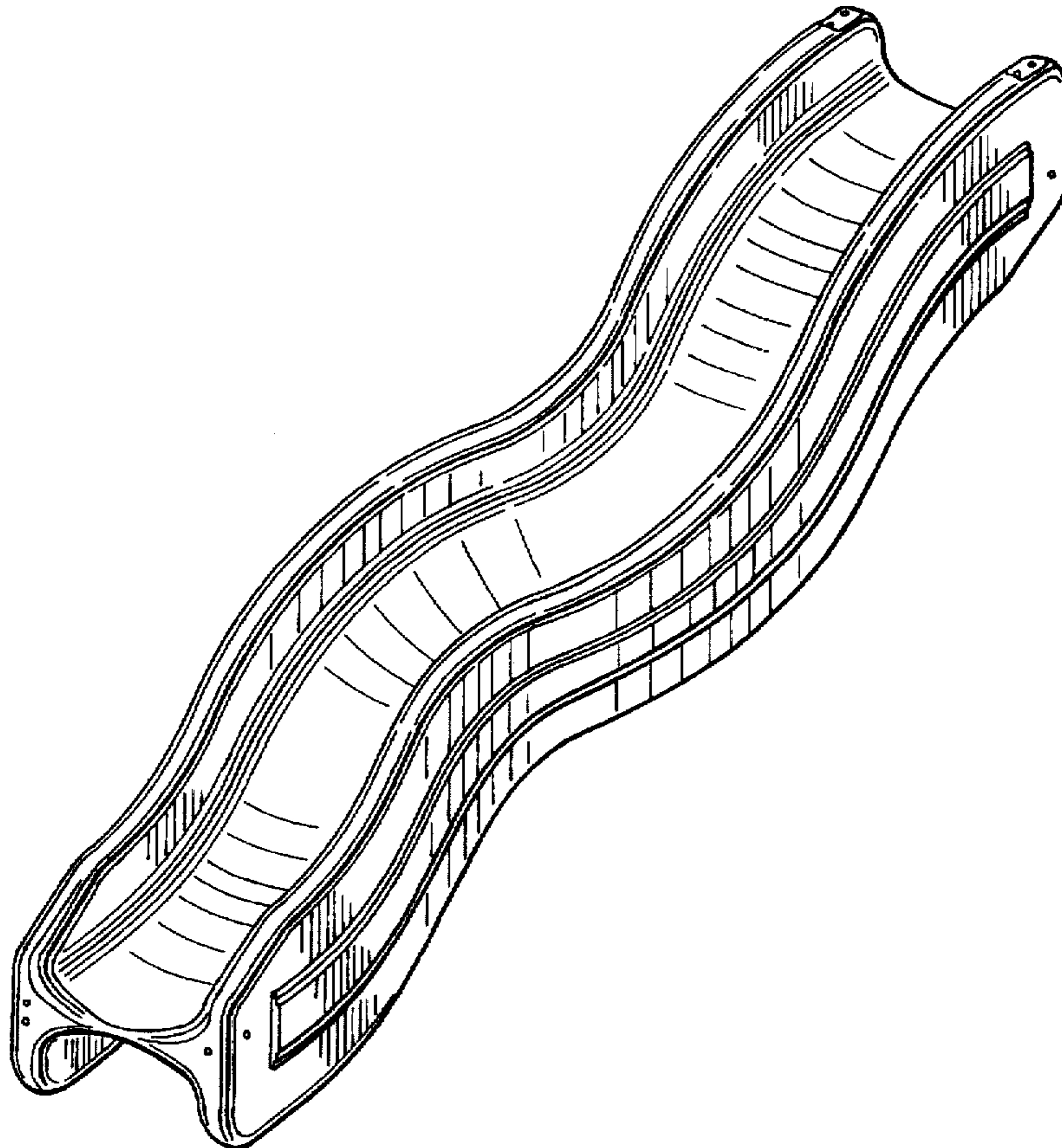


FIG. 1

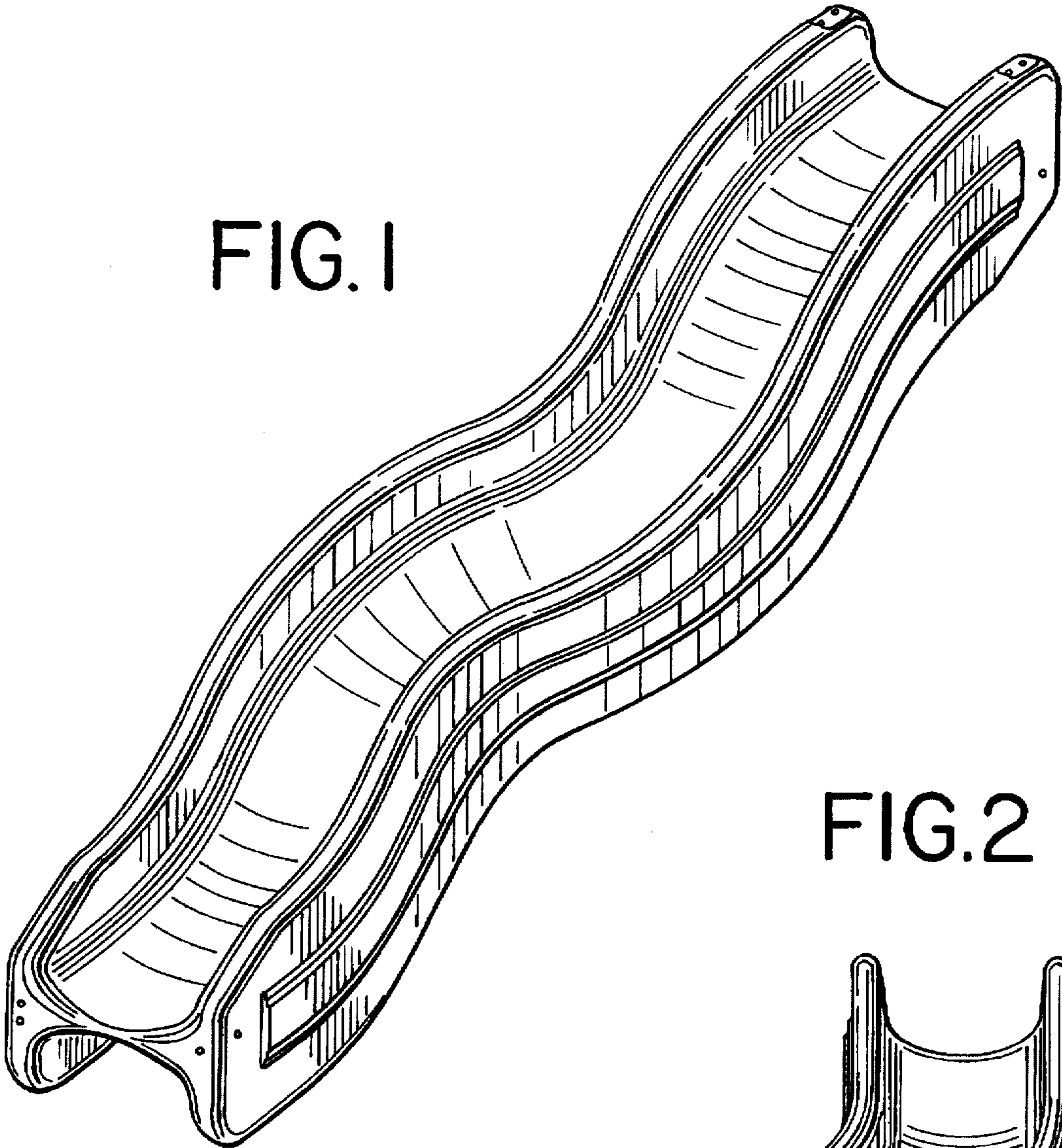


FIG. 2

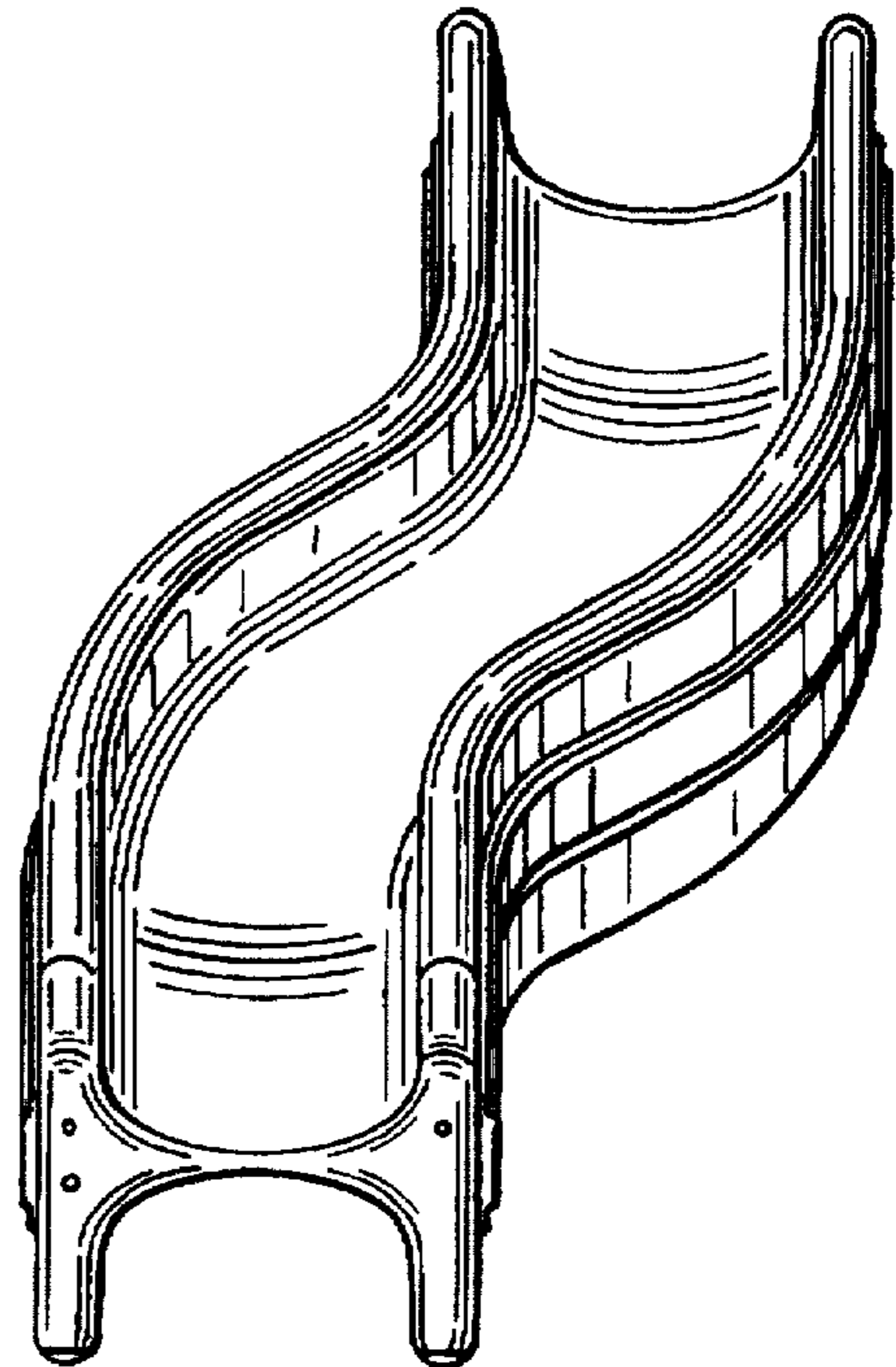


FIG.3

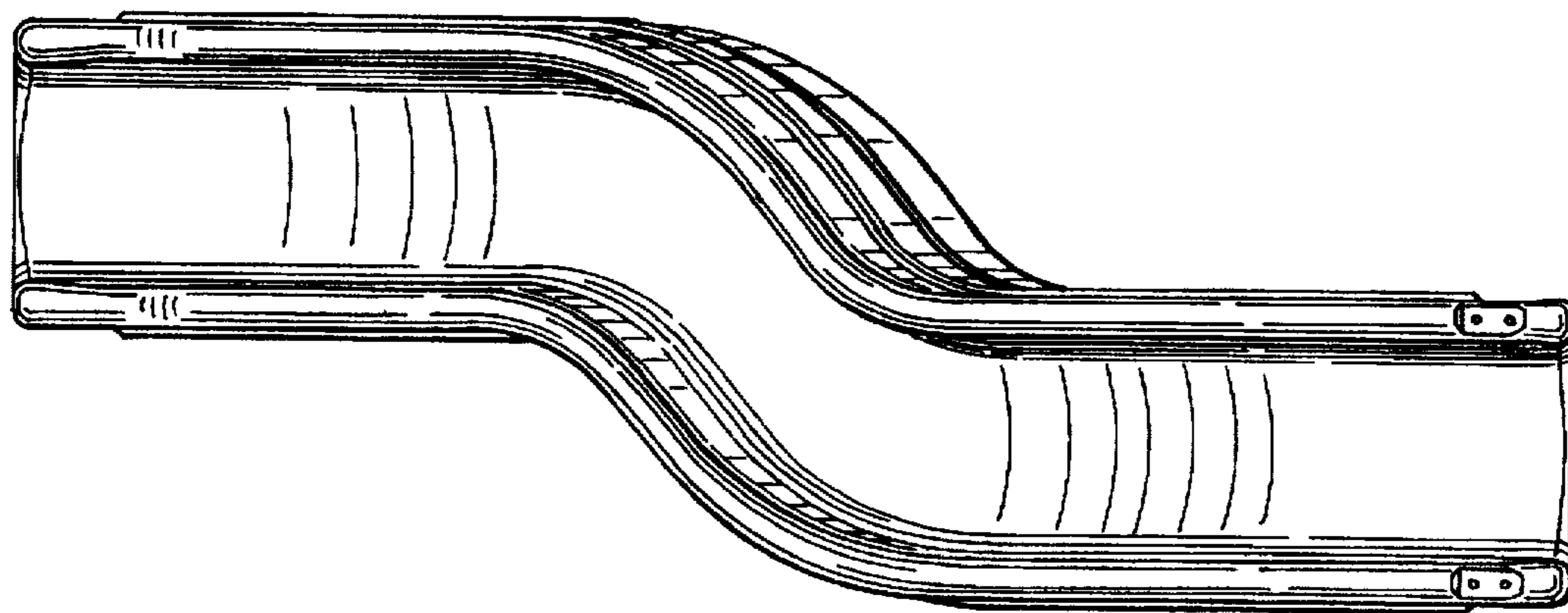


FIG.4

