

US00D384713S

United States Patent [19]

[11] Patent Number: **Des. 384,713**

Eckmann

[45] Date of Patent: ****Oct. 7, 1997**

[54] **CAST DUMBBELL**

4,351,526 9/1982 Schwartz 482/108
5,242,350 9/1993 Chang 482/108

[75] Inventor: **James A. Eckmann, Libertyville, Ill.**

Primary Examiner—Sandra L. Morris

[73] Assignee: **Sportworks, Ltd., Vernon Hills, Ill.**

Attorney, Agent, or Firm—Polster, Lieder, Woodruff & Lucchesi, L.C.

[**] Term: **14 Years**

[57] CLAIM

[21] Appl. No.: **53,057**

The ornamental design for a cast dumbbell, as shown and described.

[22] Filed: **Apr. 16, 1996**

DESCRIPTION

[51] LOC (6) Cl. **21-02**

[52] U.S. Cl. **D21/197**

[58] Field of Search D21/191, 196,
D21/197; 482/106-108, 148

FIG. 1 is a perspective view of a cast dumbbell, showing my new design;

FIG. 2 is a view in front elevation;

FIG. 3 is a view in end elevation, the two ends being mirror images of one another;

FIG. 4 is a top plan view; and,

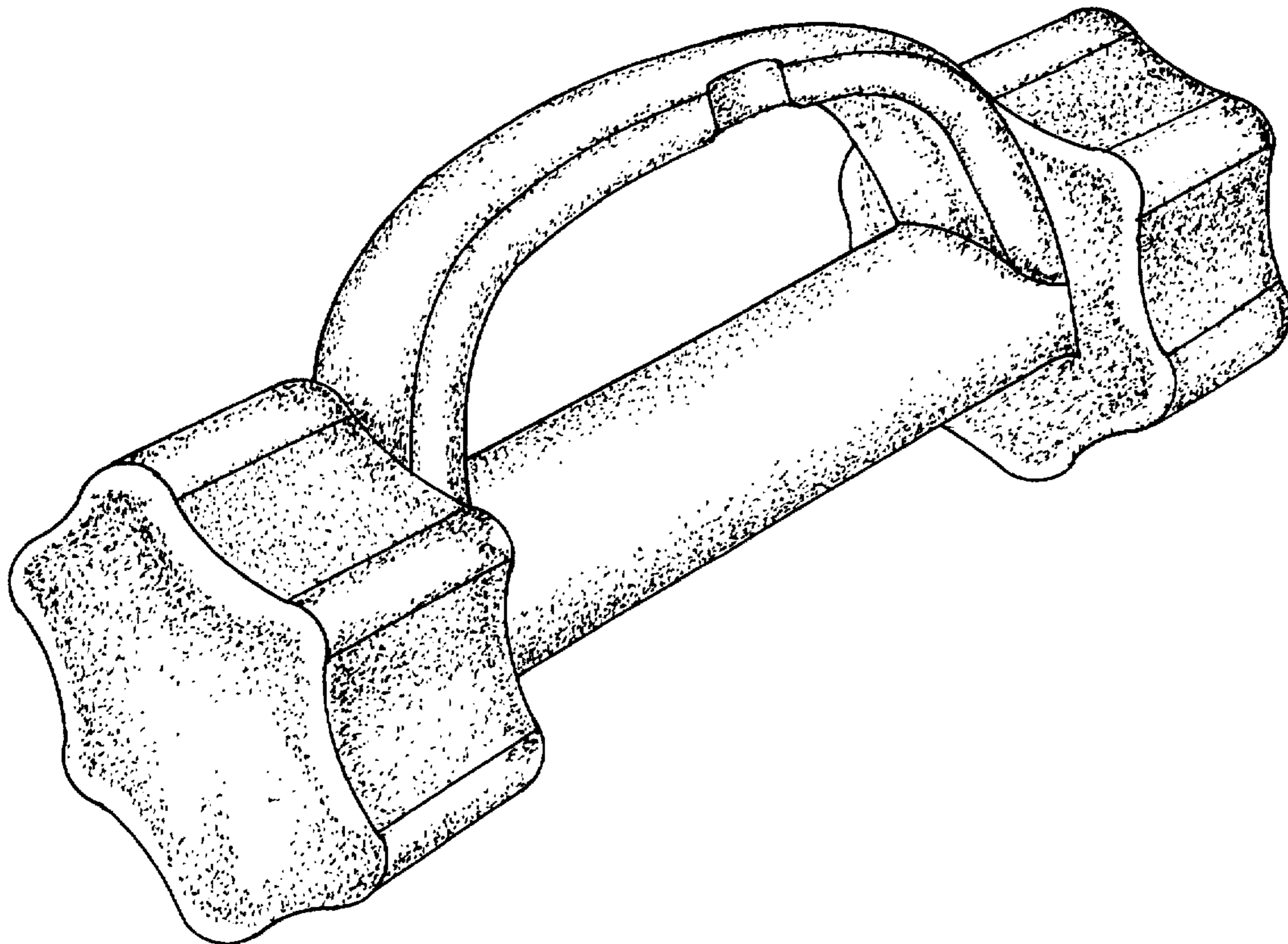
FIG. 5 is a bottom plan view.

[56] References Cited

U.S. PATENT DOCUMENTS

D. 297,962 10/1988 Wu D21/197
D. 326,300 5/1992 King et al. D21/197

1 Claim, 2 Drawing Sheets



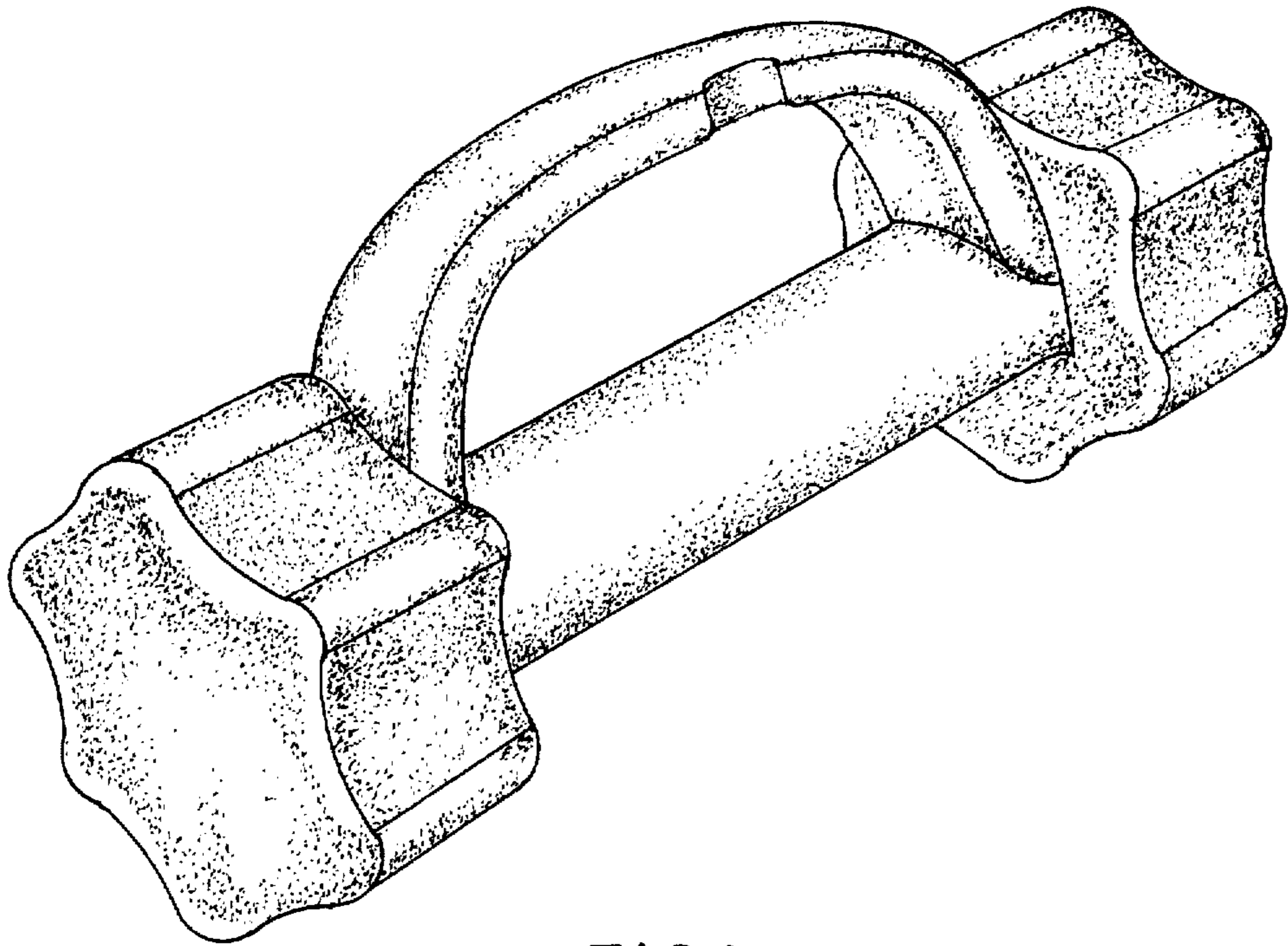


FIG. 1

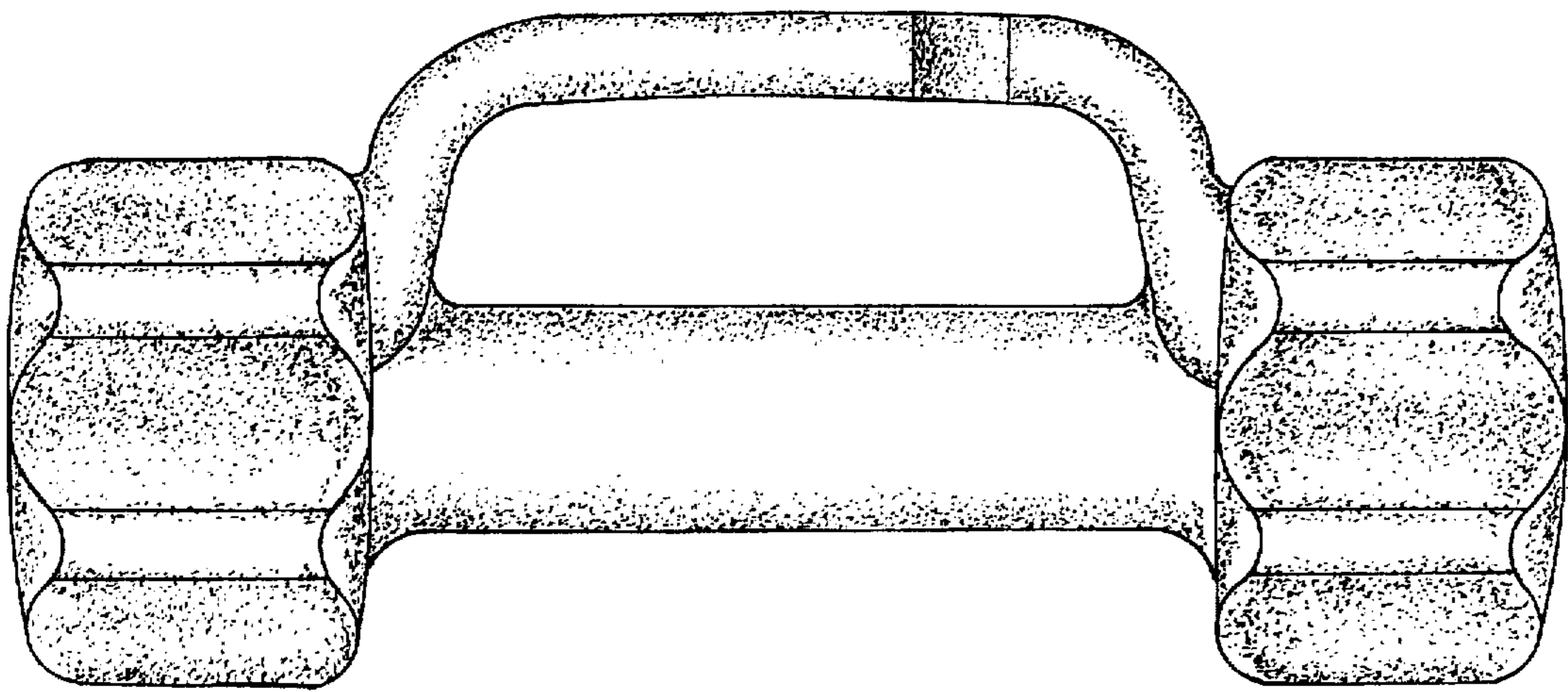


FIG. 2

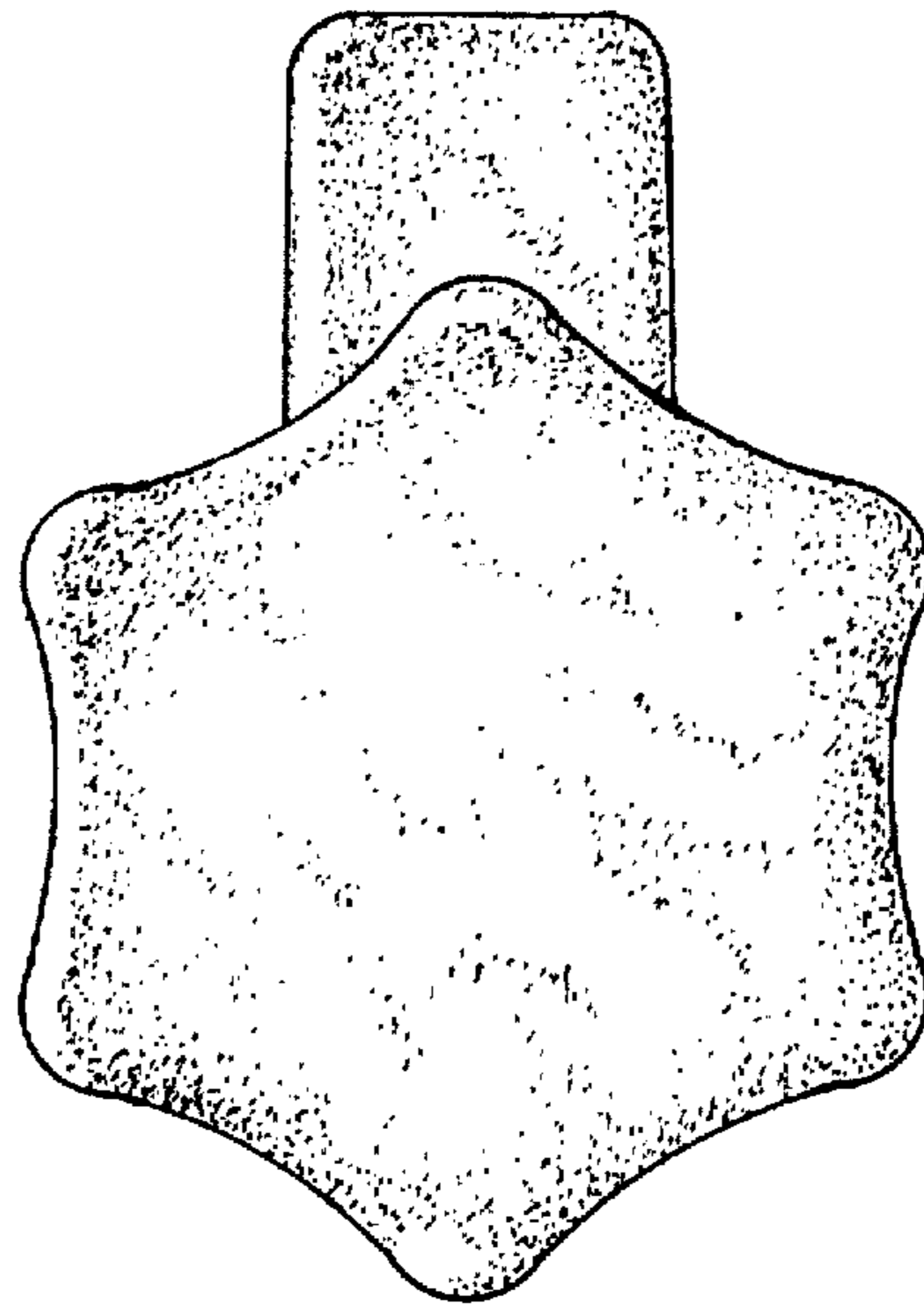


FIG. 3

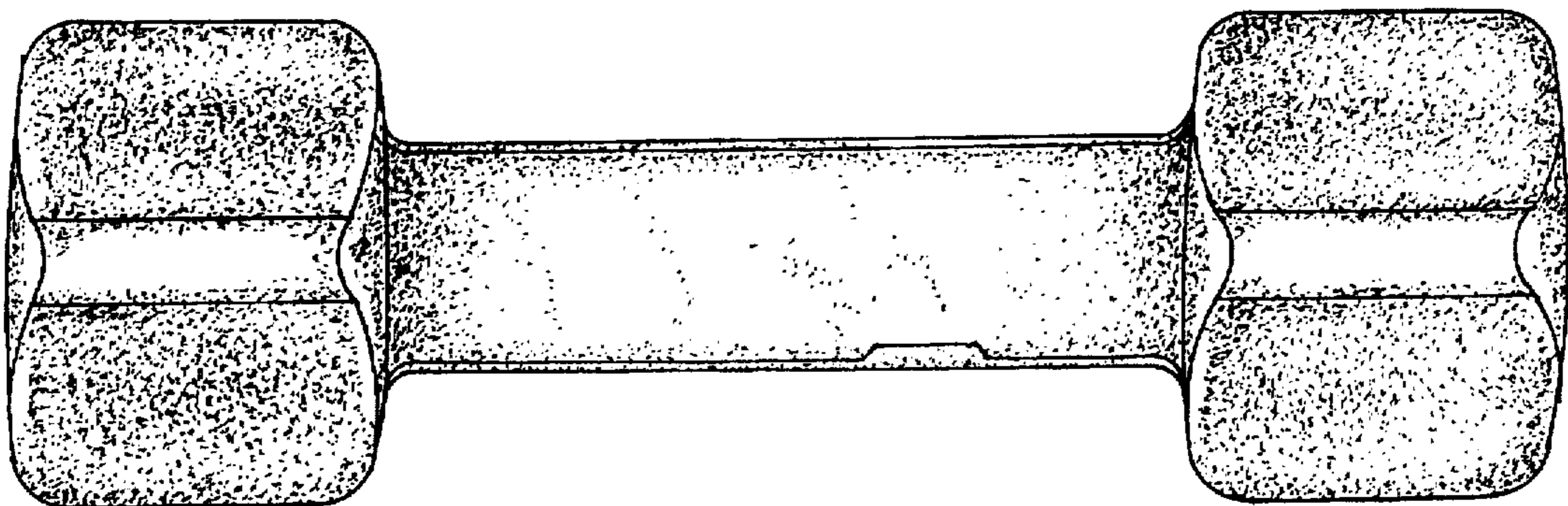


FIG. 4

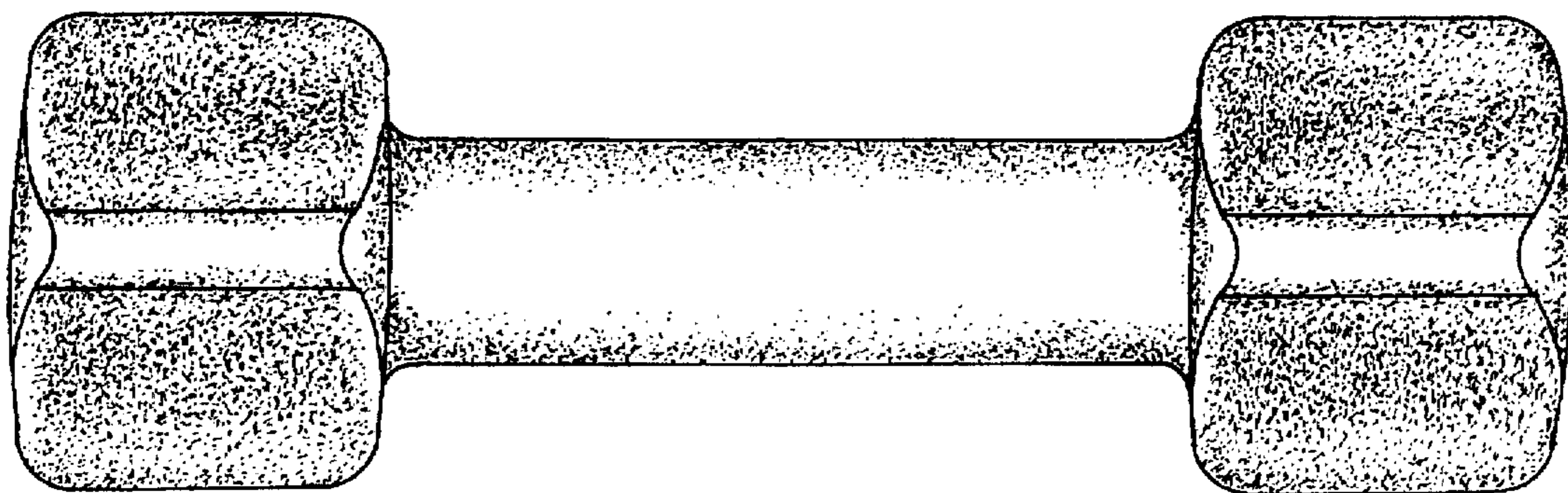


FIG. 5