

US00D384712S

United States Patent [19]

[11] Patent Number: **Des. 384,712**

Scott

[45] Date of Patent: ****Oct. 7, 1997**

[54] **IN LINE SKATE EXERCISE DEVICE**

4,410,175	10/1983	Shamp	482/69
5,403,253	4/1995	Gaylord	482/69
5,526,893	6/1996	Higer	482/69

[76] Inventor: **Richard J. A. Scott**, 21 Campbell St.,
Chatham, ON, Canada, N7M 3W6

Primary Examiner—Philip S. Hyder
Attorney, Agent, or Firm—Harold H. Dutton, Jr.; Diane F. Liebman

[**] Term: **14 Years**

[21] Appl. No.: **54,426**

[57] **CLAIM**

[22] Filed: **May 17, 1996**

The ornamental design for an in line skate exercise device, as shown.

[51] LOC (6) Cl. **21-02**

[52] U.S. Cl. **D21/191**

[58] Field of Search D21/191, 192,
D21/193, 194, 195, 71; D12/130; 482/69,
43, 23, 140, 143

DESCRIPTION

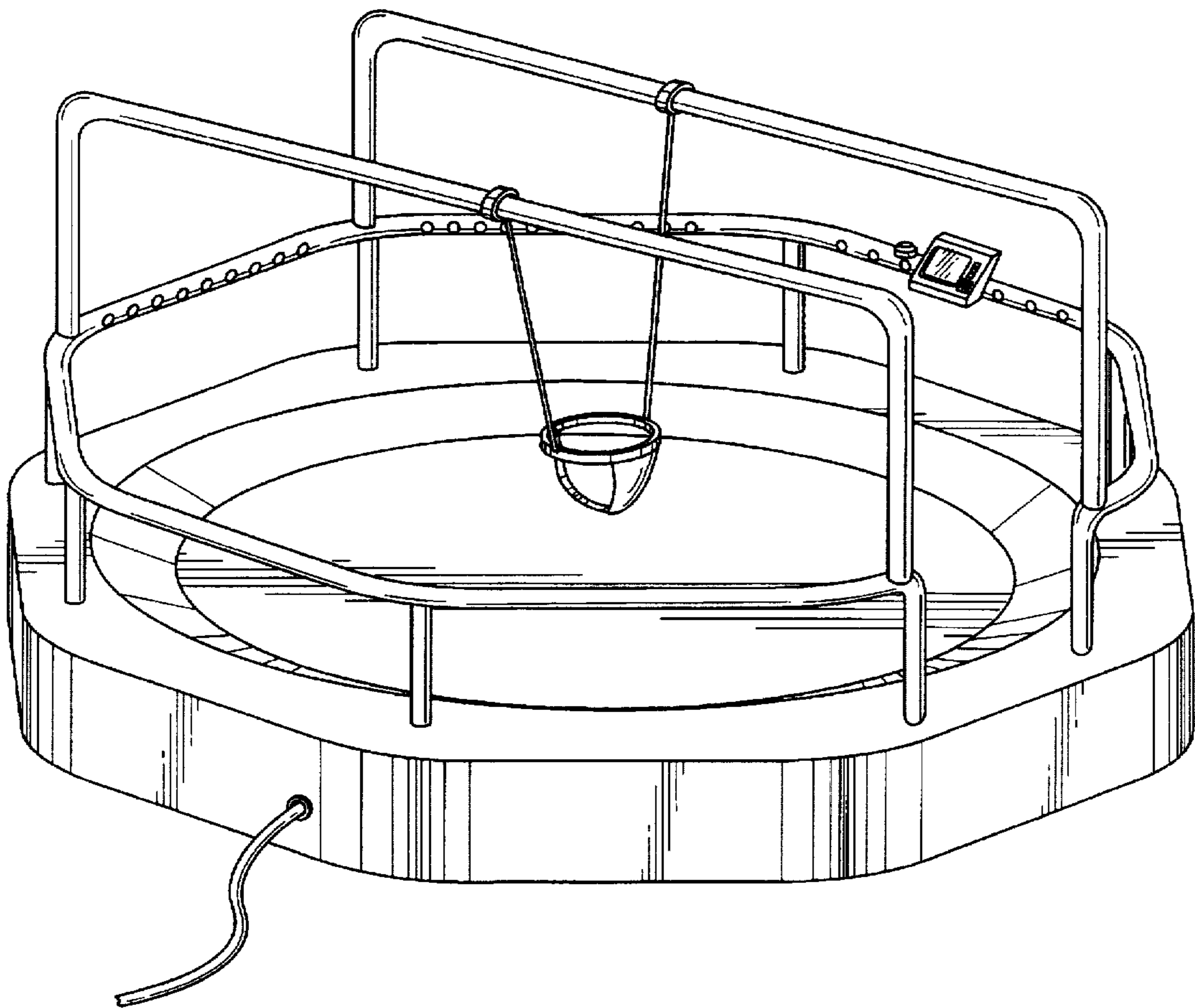
FIG. 1 is a perspective view of an in line skate exercise device showing my new design;
FIG. 2 is a rear view thereof;
FIG. 3 is a front view thereof;
FIG. 4 is a left side view thereof;
FIG. 5 is a right side view thereof;
FIG. 6 is a top view thereof; and,
FIG. 7 is a bottom view thereof.

[56] **References Cited**

U.S. PATENT DOCUMENTS

D. 325,609	4/1992	Cheng	D21/191
2,478,004	8/1949	Newell	482/69
2,871,915	2/1959	Hogan	482/69
4,252,063	2/1981	Brooks, Jr.	482/69

1 Claim, 5 Drawing Sheets



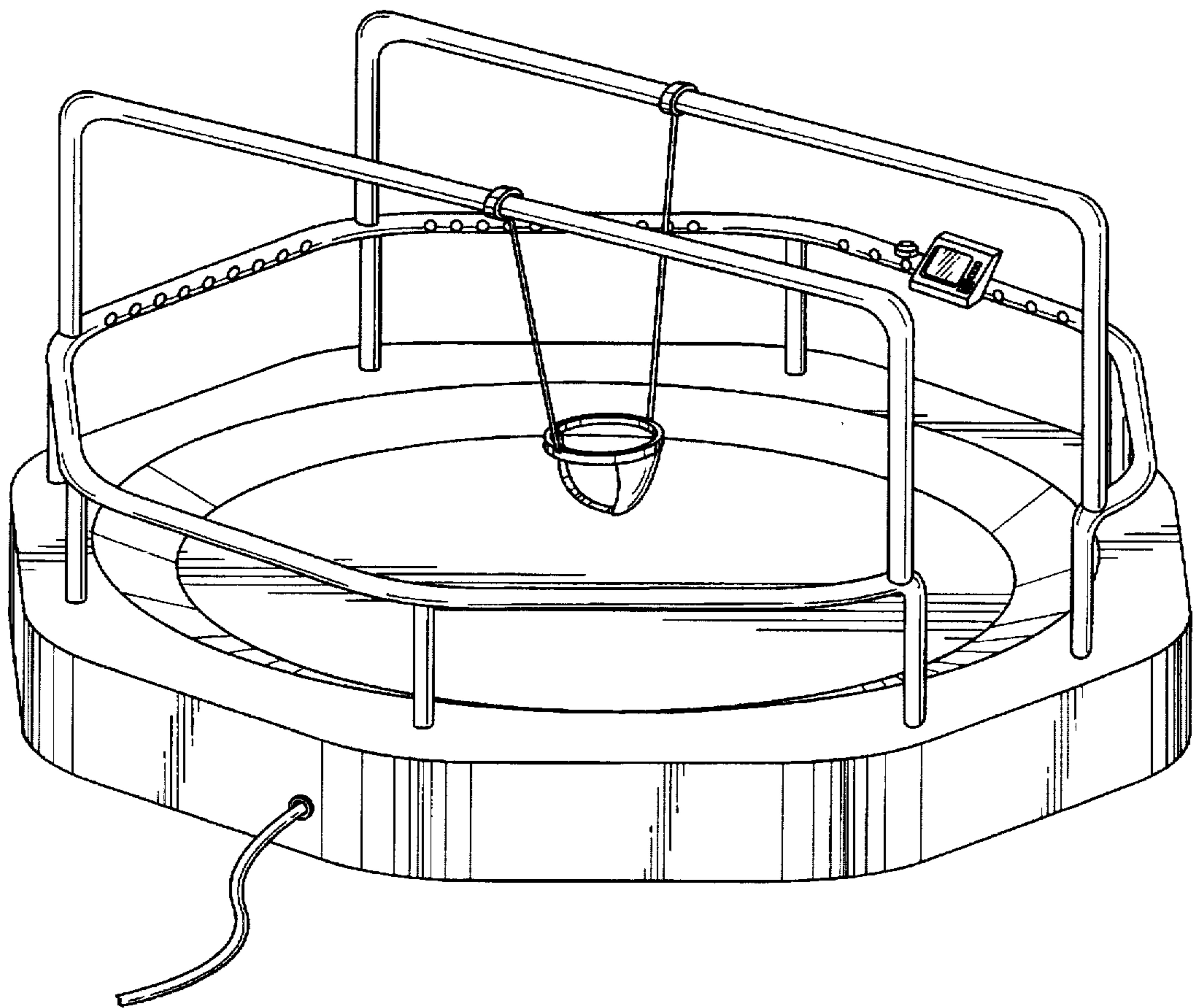


FIG. 1

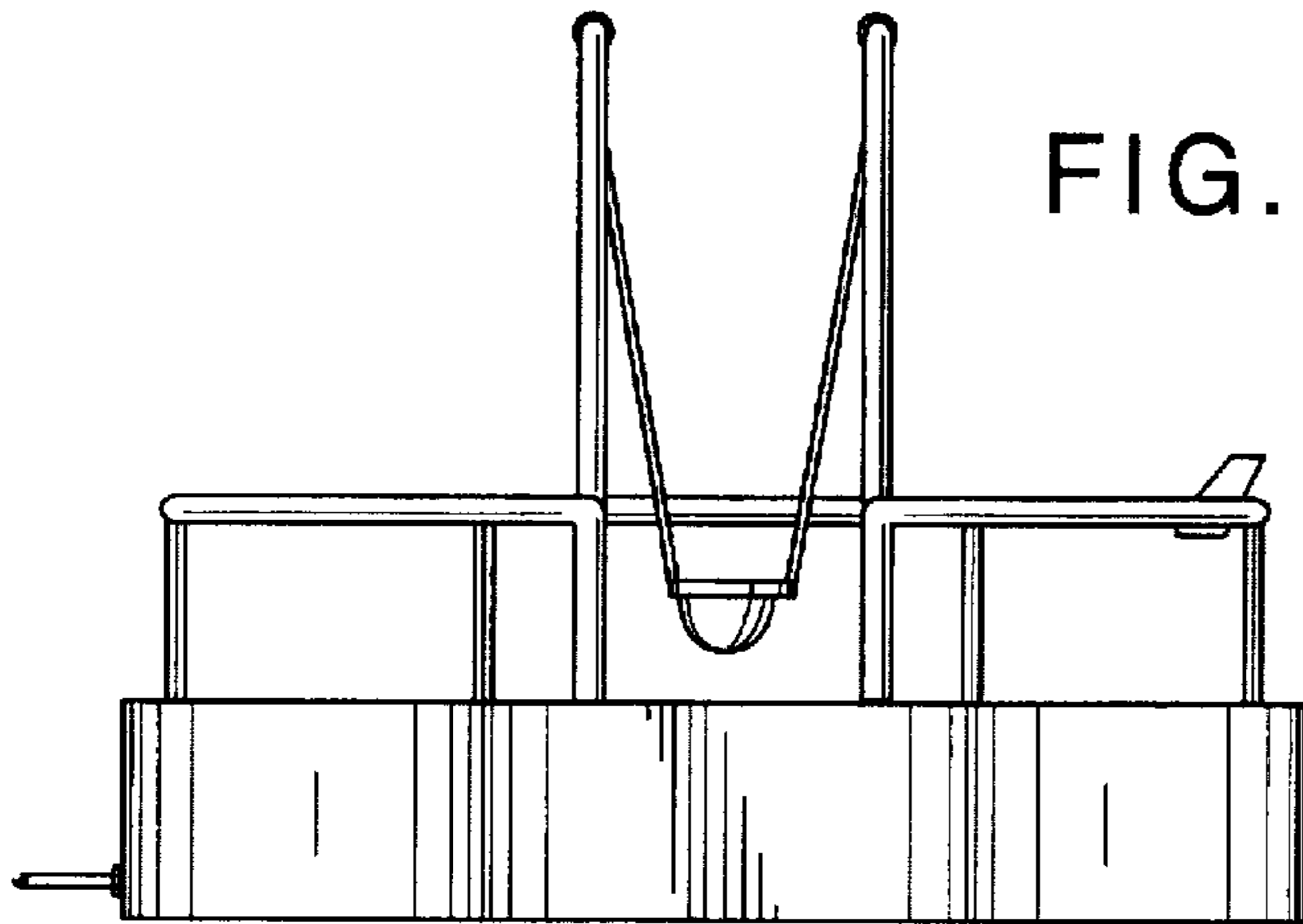
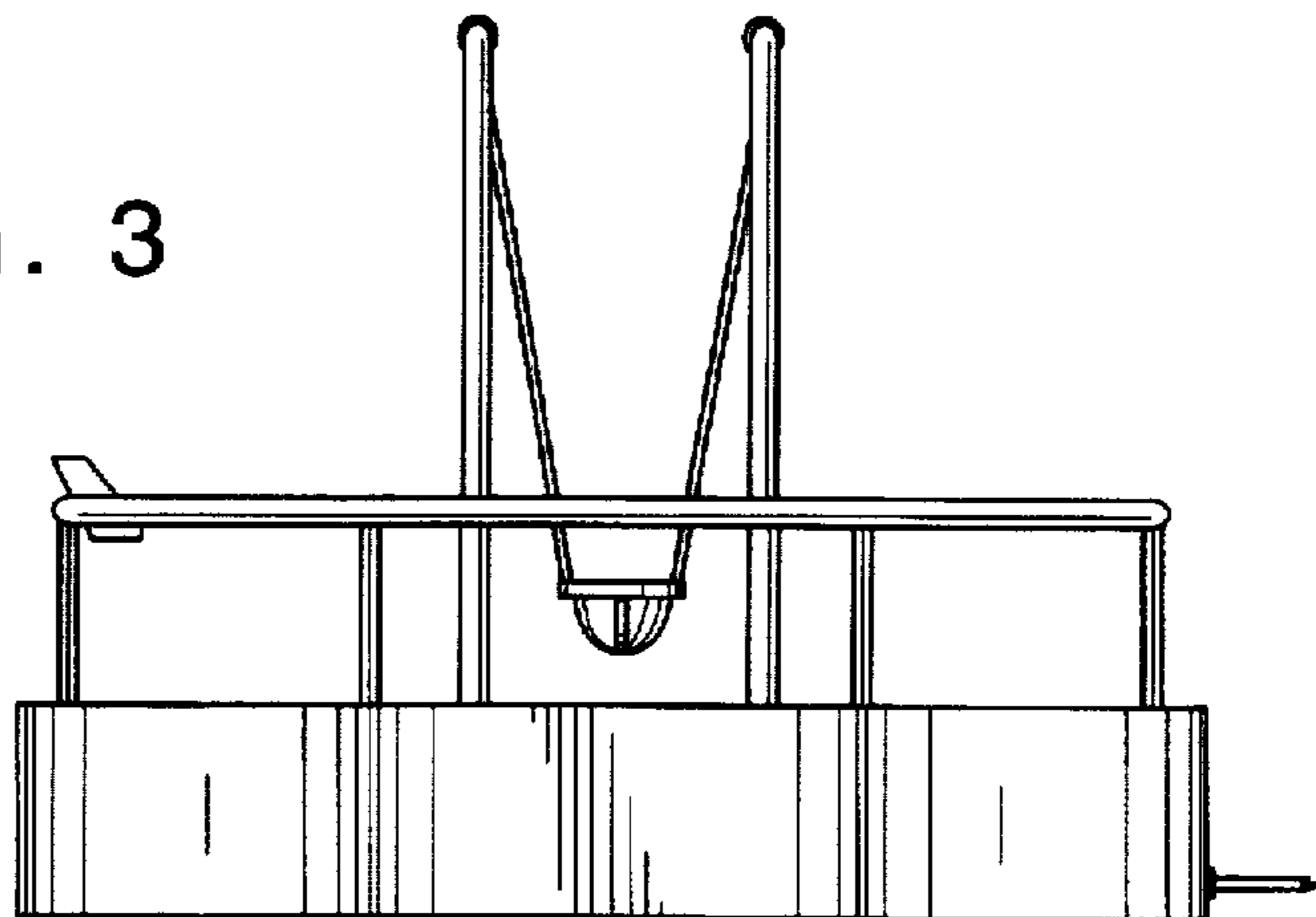


FIG. 3



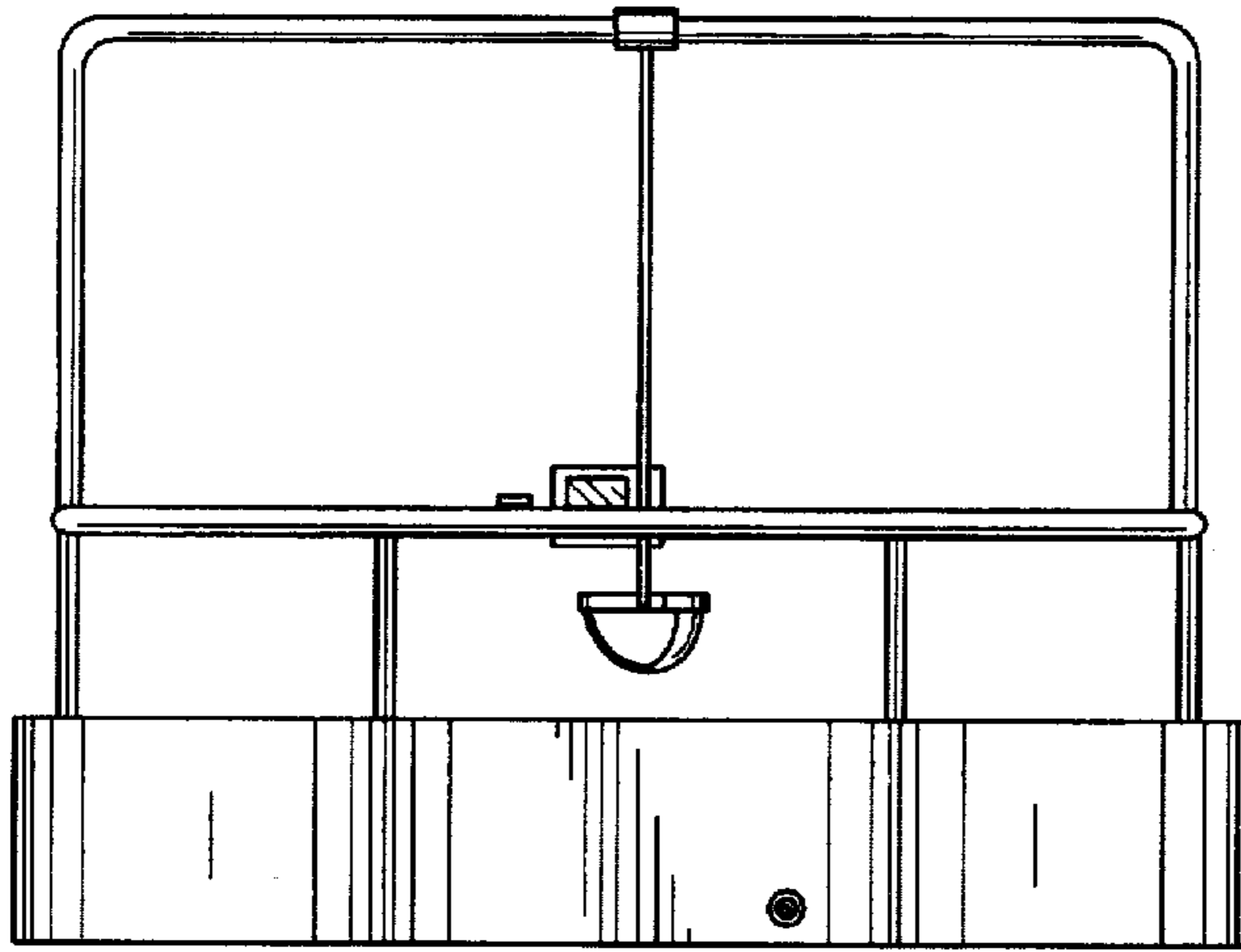


FIG. 4

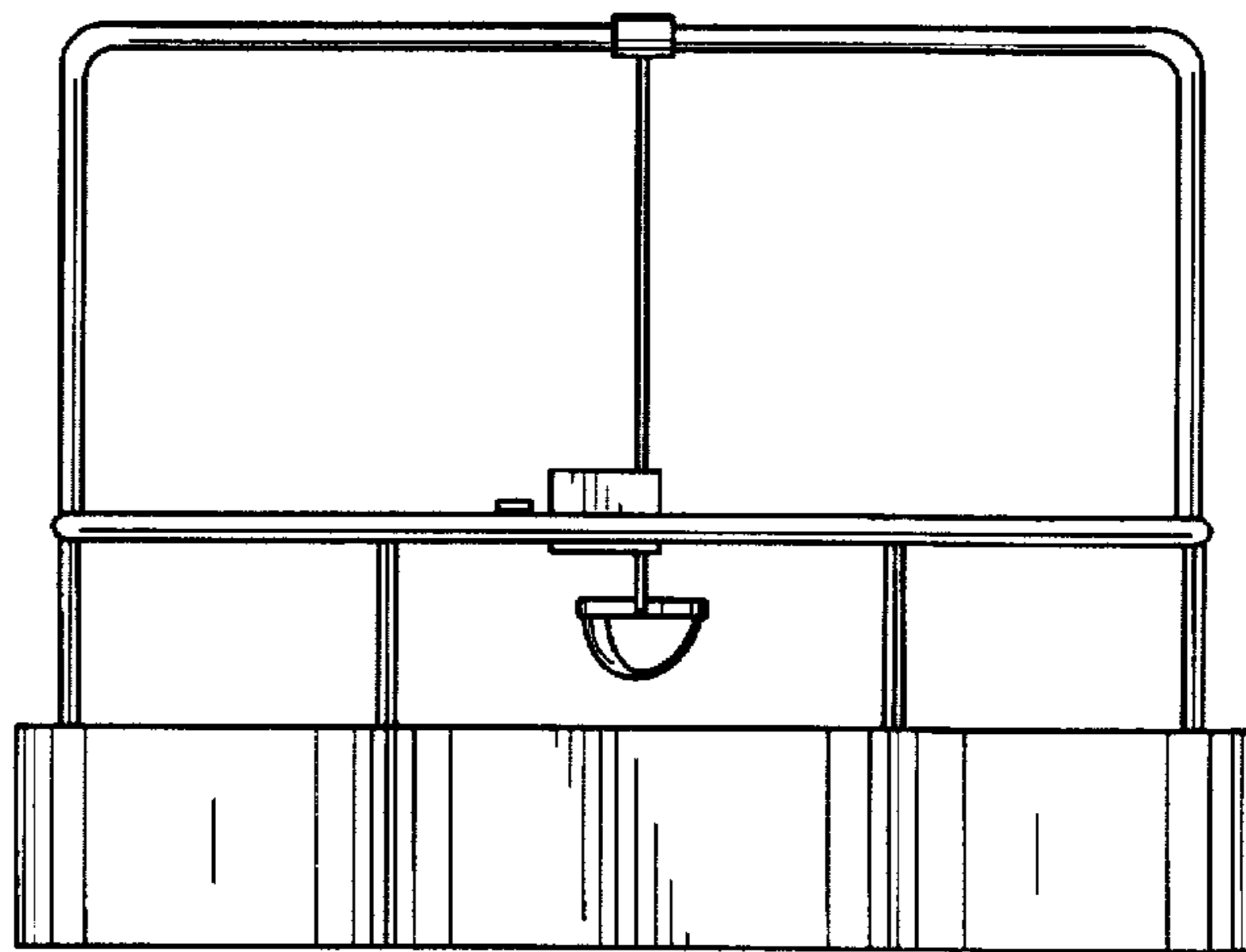


FIG. 5

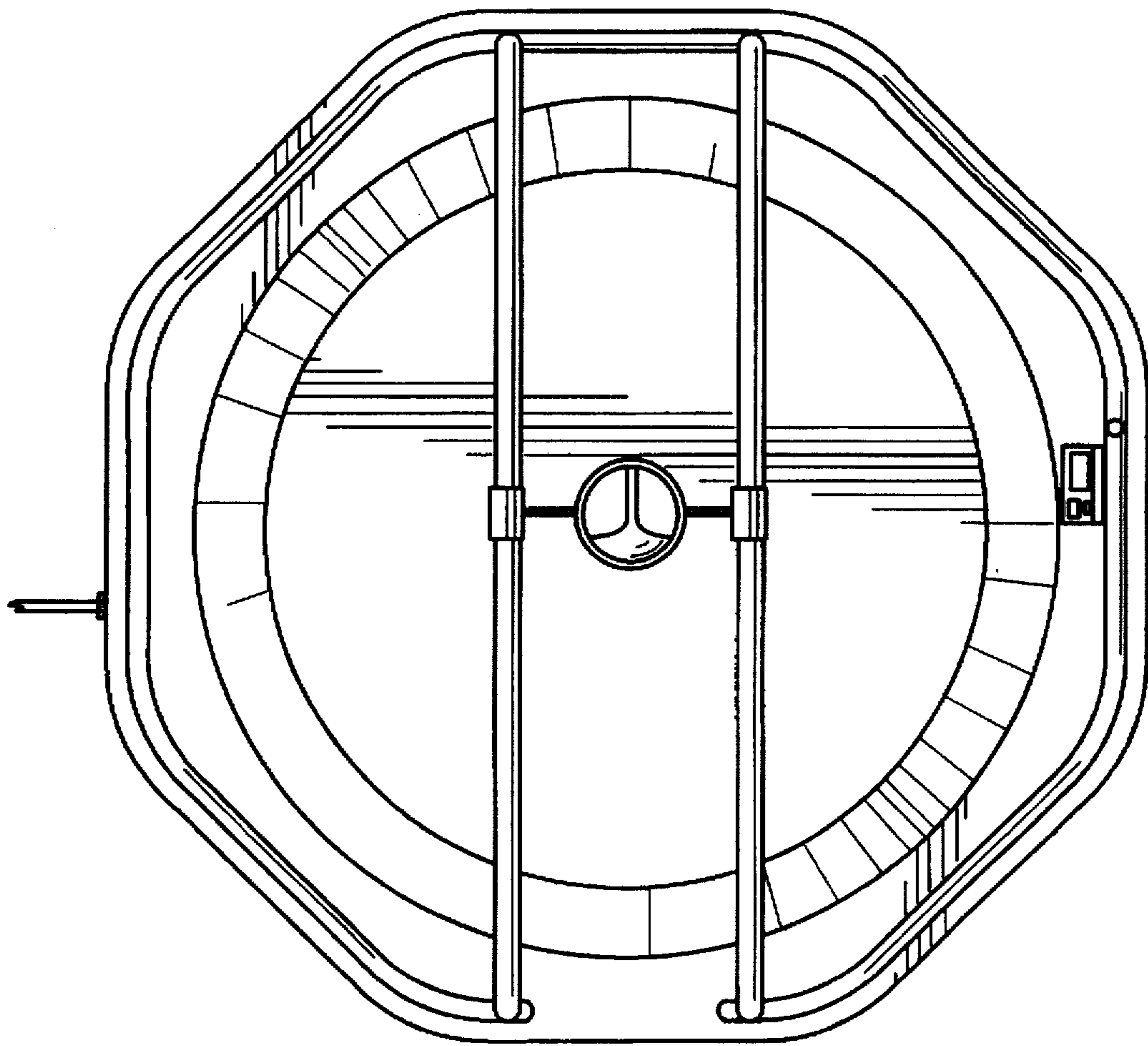


FIG. 6

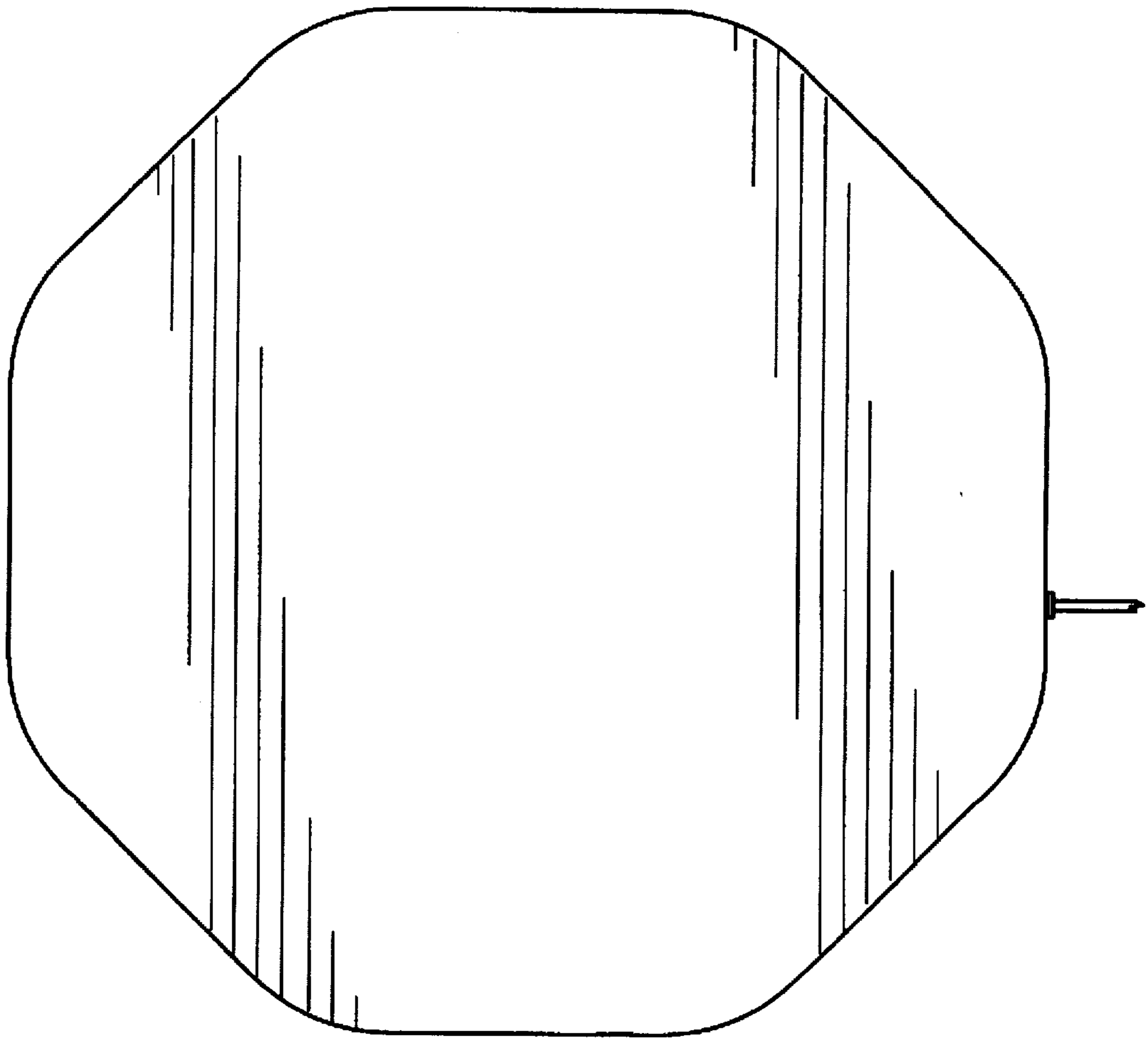


FIG. 7