



US00D384711S

United States Patent [19]

Wang et al.

[11] Patent Number: **Des. 384,711**

[45] Date of Patent: ****Oct. 7, 1997**

- [54] **V-SHAPED REAR CROSS BAR OF AN EXERCISING APPARATUS**
- [75] Inventors: **Leao Wang; Peter Wu; Enzo Hang**,
all of Taichung Hsien, Taiwan
- [73] Assignee: **Greenmaster Industrial Corp.**,
Taichung Hsien, Taiwan
- [**] Term: **14 Years**
- [21] Appl. No.: **53,189**
- [22] Filed: **Apr. 17, 1996**
- [51] LOC (6) Cl. **21-02**
- [52] U.S. Cl. **D21/191**
- [58] Field of Search **D21/191, 194,**
D21/195; 482/51, 57, 58, 59, 62, 63

[56] References Cited

U.S. PATENT DOCUMENTS

- D. 273,882 5/1984 Bryne 482/59
- D. 285,816 9/1986 Berntsson D21/194
- D. 298,845 12/1988 Giger D21/191

4,969,642 11/1990 Phillips 482/62

Primary Examiner—Sandra L. Morris
Attorney, Agent, or Firm—Bacon & Thomas

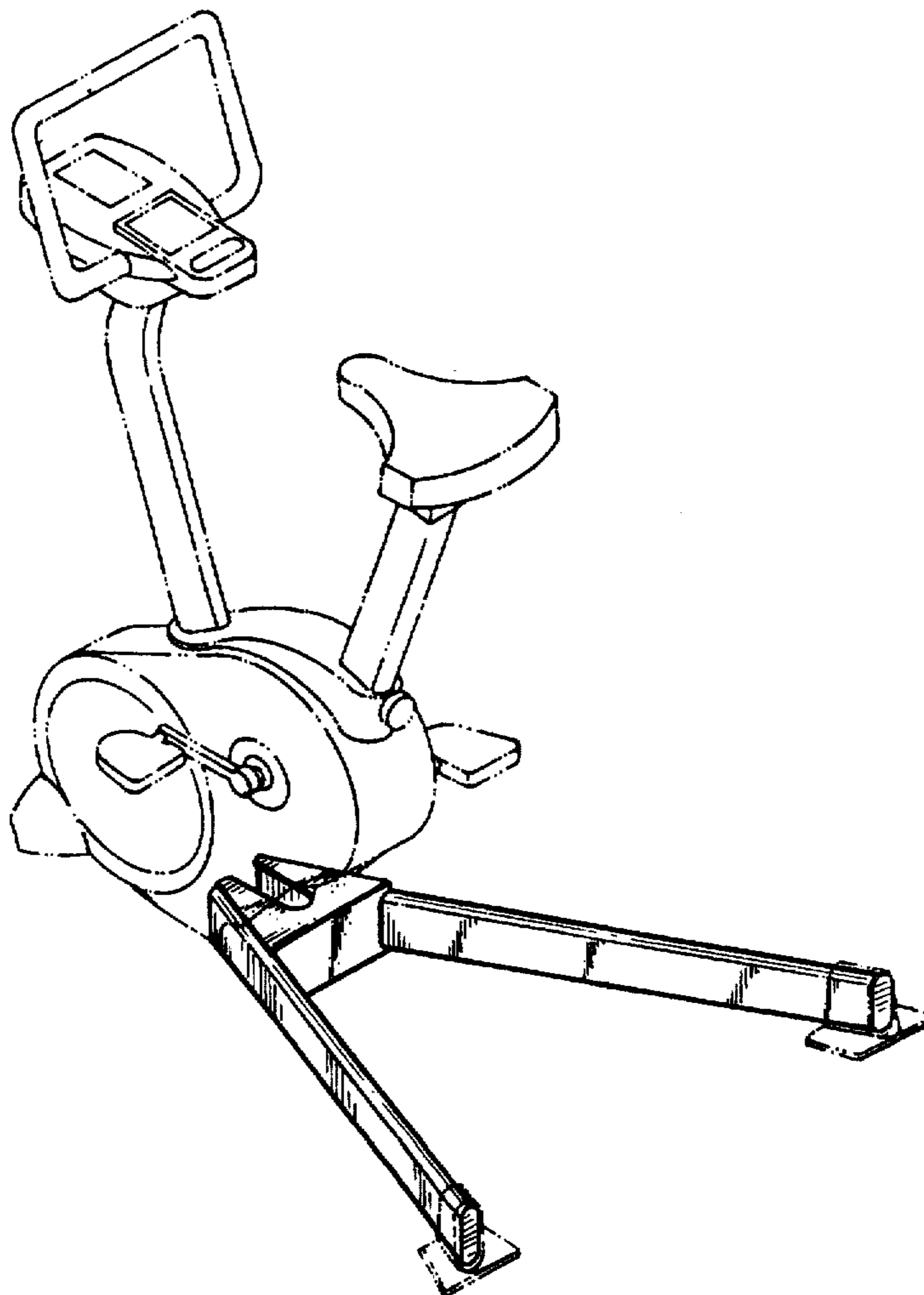
[57] CLAIM

The ornamental design for a v-shaped rear cross bar of an exercising apparatus, as shown and described.

DESCRIPTION

FIG. 1 is a perspective view of a v-shaped rear cross bar of an exercising apparatus according to our design;
 FIG. 2 is a front elevational view thereof;
 FIG. 3 is a rear elevational view thereof;
 FIG. 4 is a left side elevational view thereof;
 FIG. 5 is a right side elevational view thereof;
 FIG. 6 is a top plan view thereof;
 FIG. 7 is a bottom plan view thereof; and,
 FIG. 8 is a reduced perspective view thereof, showing the design in use, the broken line showing of the exerciser is for illustrative purposes only, and forms no part of the claimed design.

1 Claim, 3 Drawing Sheets



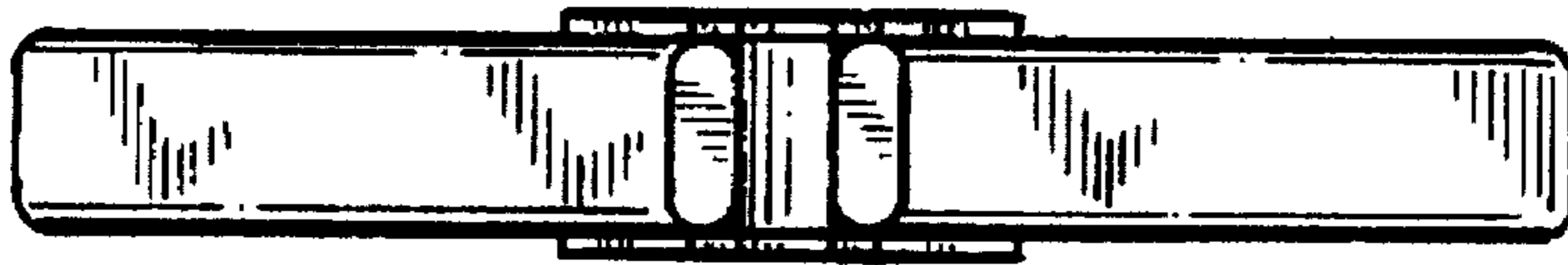


FIG. 6

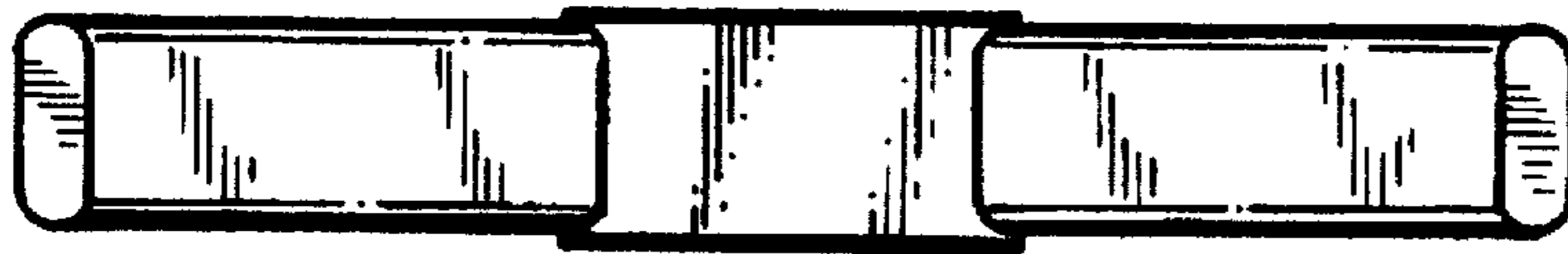


FIG. 7

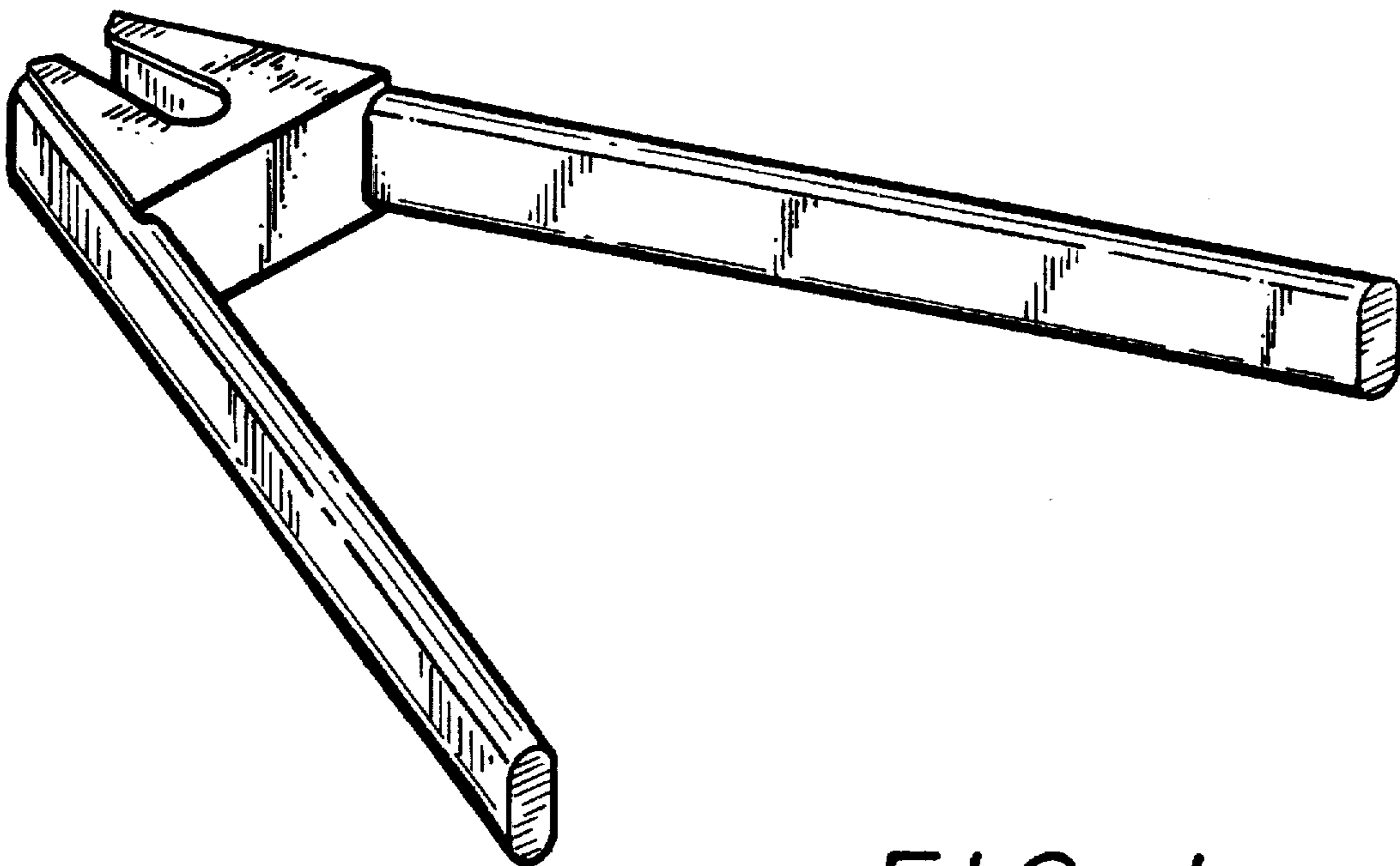


FIG. 1

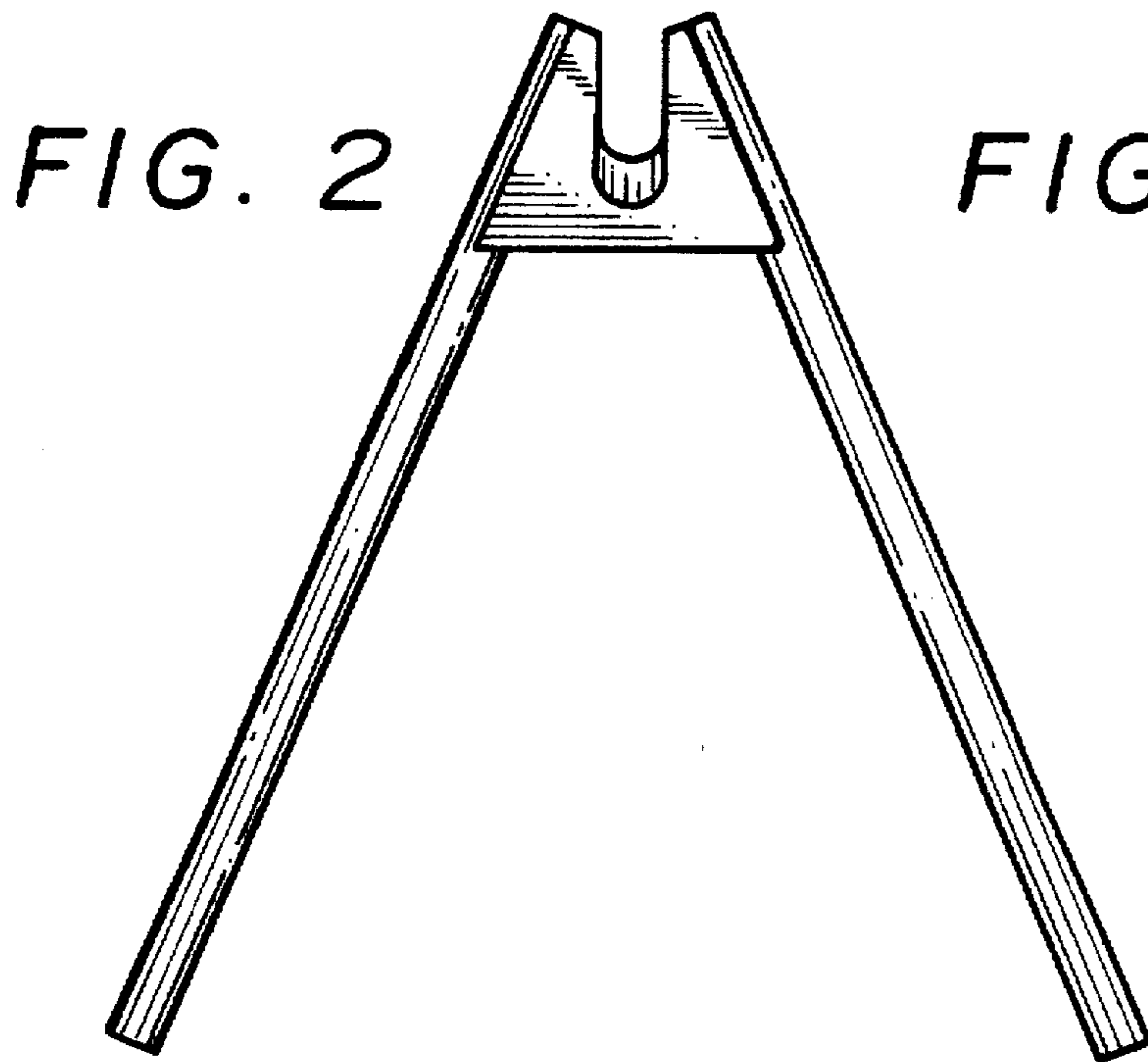


FIG. 5

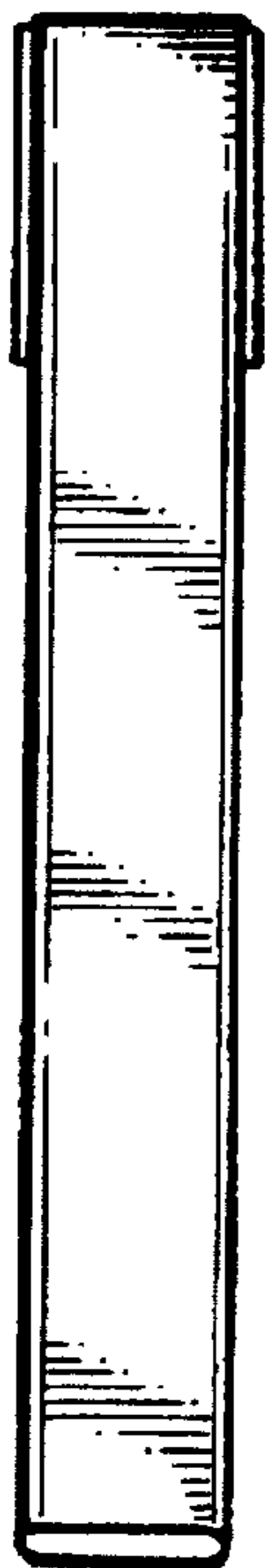


FIG. 4

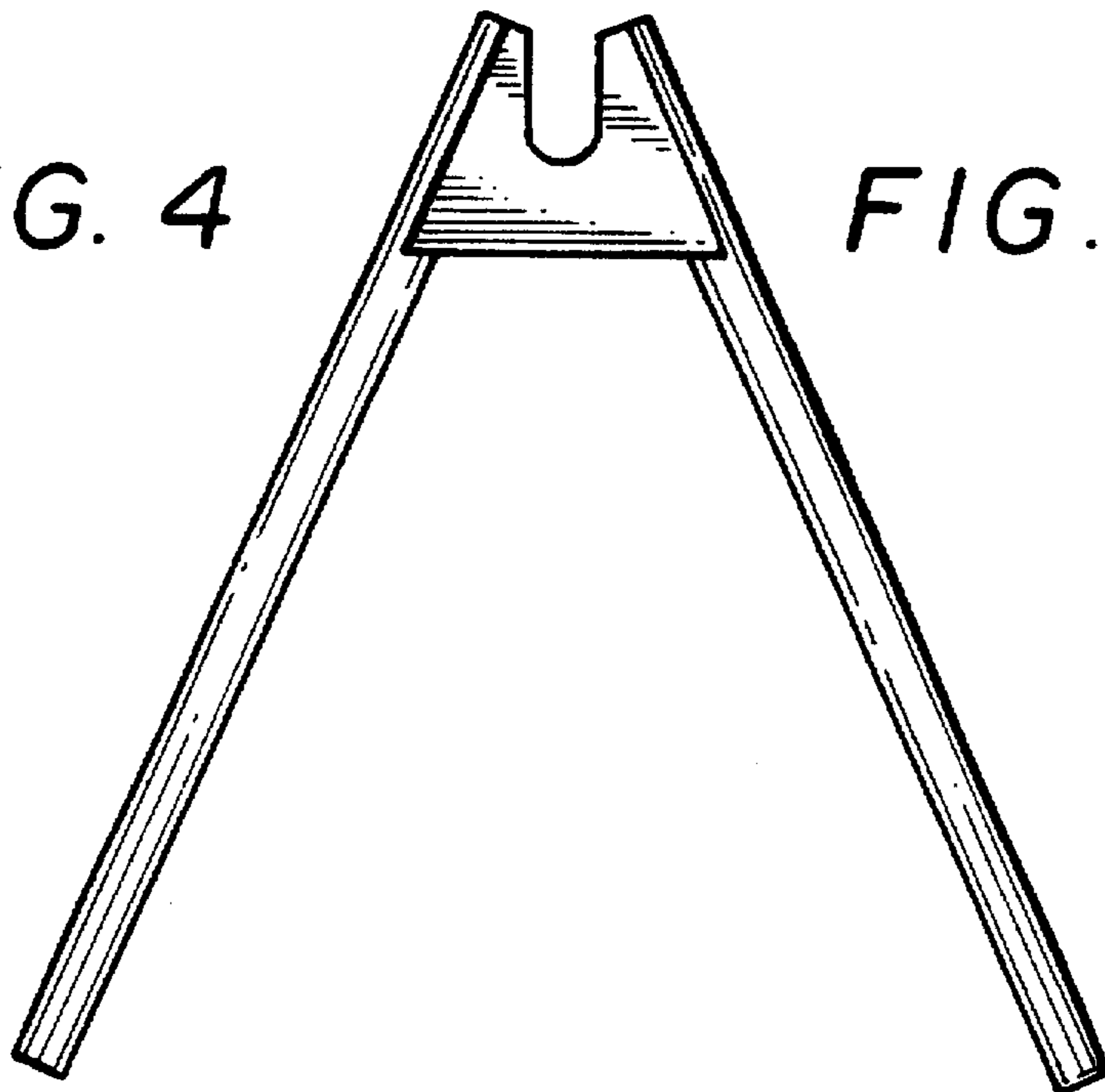


FIG. 3

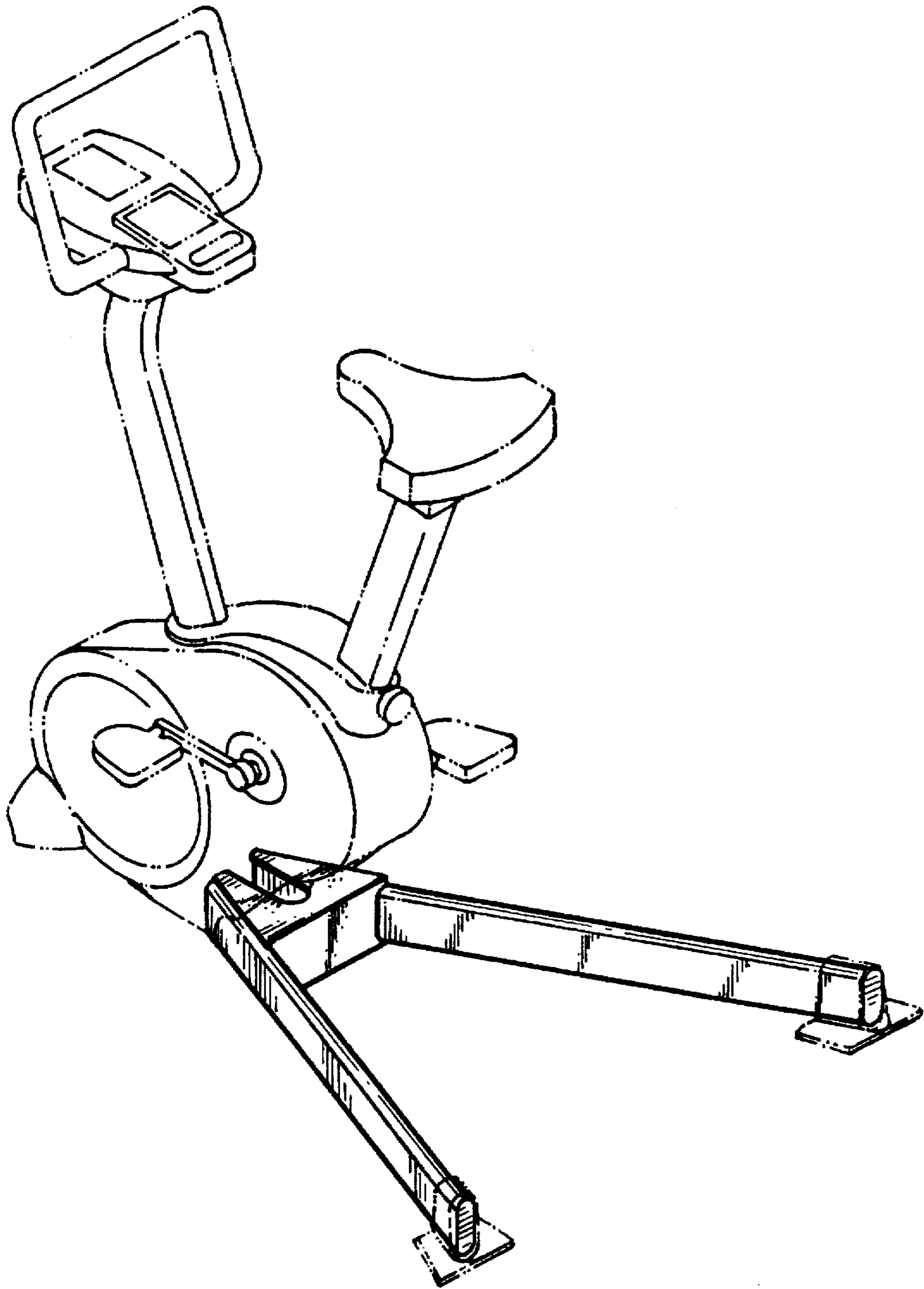


FIG. 8