



US00D384710S

# United States Patent [19]

[11] Patent Number: **Des. 384,710**

**Pahel**

[45] Date of Patent: **\*\*Oct. 7, 1997**

## [54] T-BAR MOUNTING FIXTURE

[76] Inventor: **Gregory Pahel**, 15546 Leffingwell Rd., Whittier, Calif. 90604

[\*\*] Term: **14 Years**

[21] Appl. No.: **51,912**

[22] Filed: **Mar. 19, 1996**

[51] LOC (6) Cl. .... **21-02**

[52] U.S. Cl. .... **D21/191**

[58] Field of Search ..... D21/191, 195;  
D8/71, 72, 73, 74, 349, 363, 380; D15/140;  
482/93, 94, 95, 96, 97, 106, 108, 109

## [56] References Cited

### U.S. PATENT DOCUMENTS

D. 333,012	2/1993	Fleming	.....	D8/349
D. 344,529	2/1994	Gowdy	.....	D15/140
4,657,245	4/1987	Smith	.....	482/94
5,207,624	5/1993	Paskovich	.....	482/97
5,244,444	9/1993	Wostry	.....	482/97
5,310,393	5/1994	Highsmith et al.	.....	482/97

## OTHER PUBLICATIONS

Bodybuilder's Discount Outlet Catalog, 1995, p. 25, Lat Blaster.

Primary Examiner—Philip S. Hyder  
Attorney, Agent, or Firm—Harold H. Dutton, Jr.; Diane F. Liebman

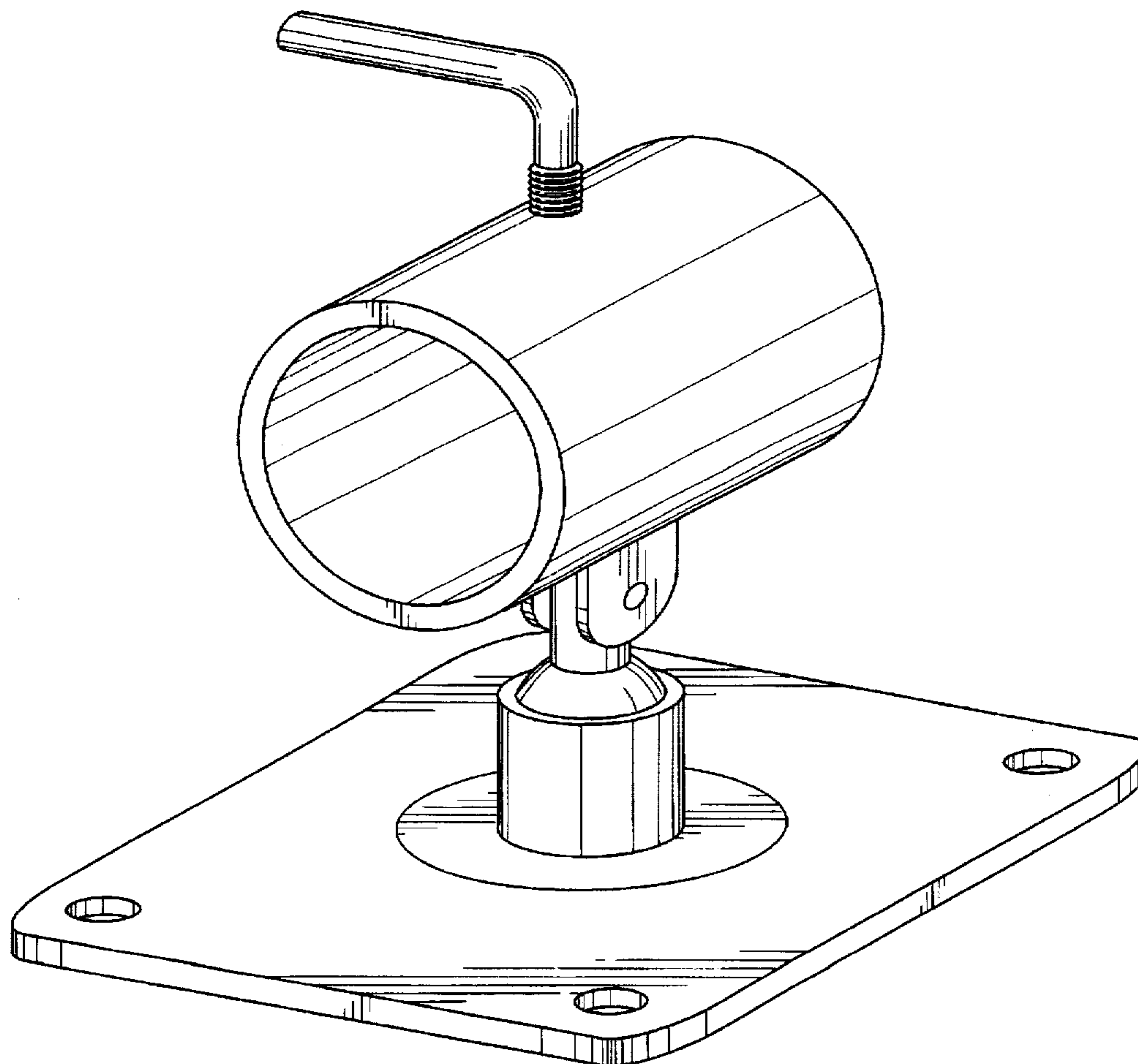
## [57] CLAIM

The ornamental design for a T-bar mounting fixture, as shown.

## DESCRIPTION

FIG. 1 is a perspective view of a T-bar mounting fixture showing my new design;  
FIG. 2 is a right side view thereof;  
FIG. 3 is a left side view thereof;  
FIG. 4 is a front view thereof;  
FIG. 5 is a rear view thereof;  
FIG. 6 is a top view thereof; and,  
FIG. 7 is a bottom view thereof.

**1 Claim, 7 Drawing Sheets**



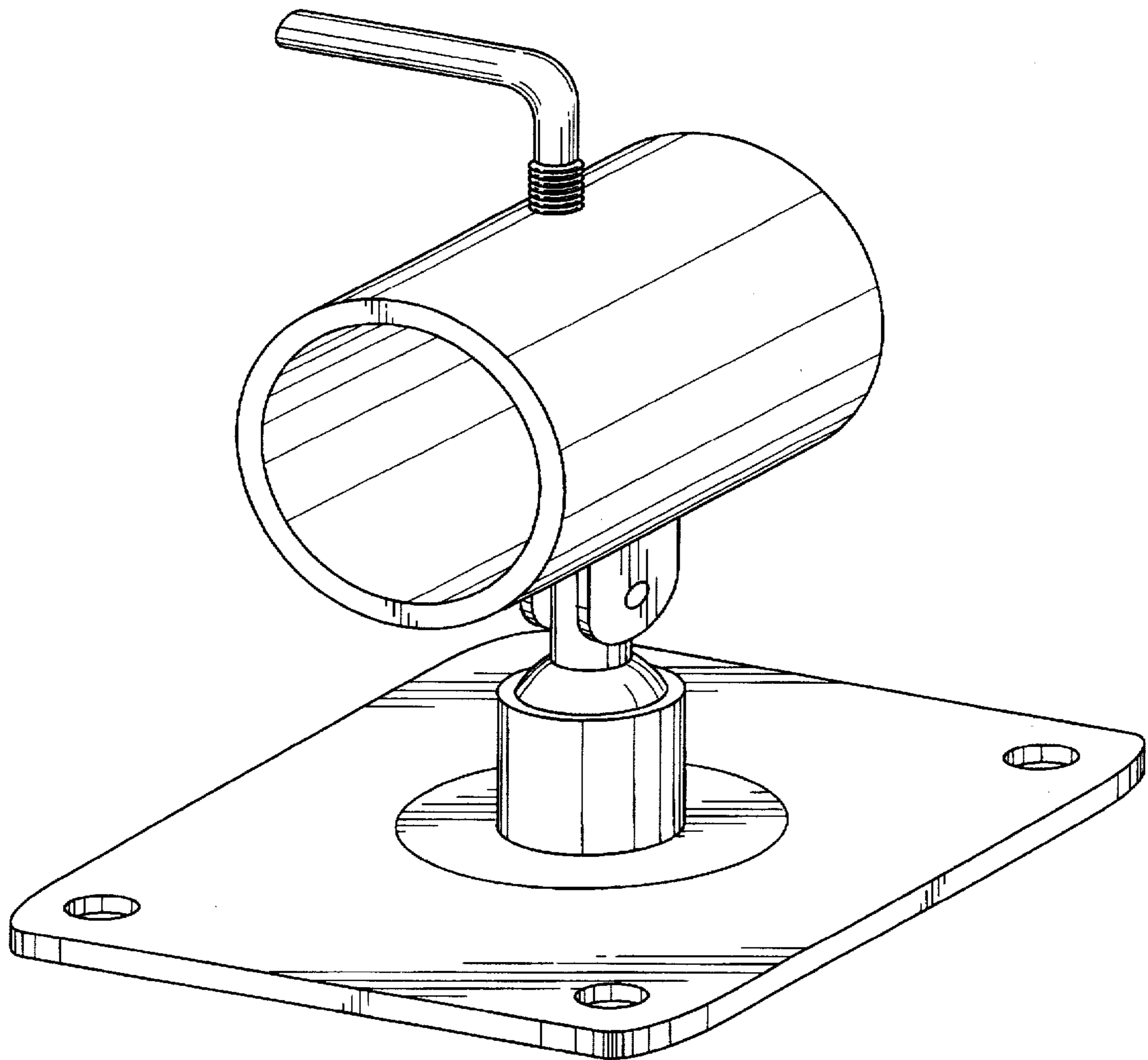


FIG. 1

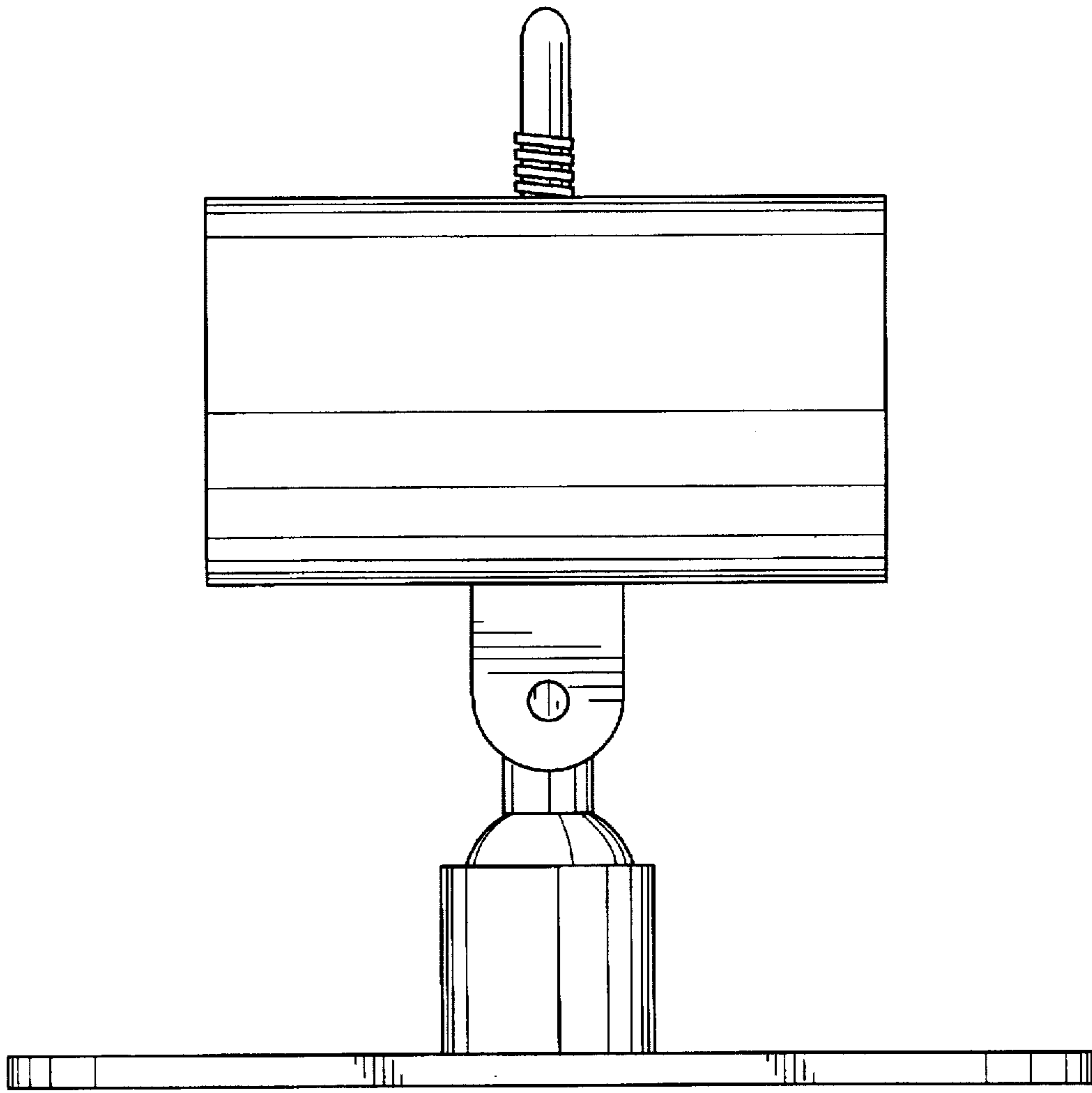


FIG. 2

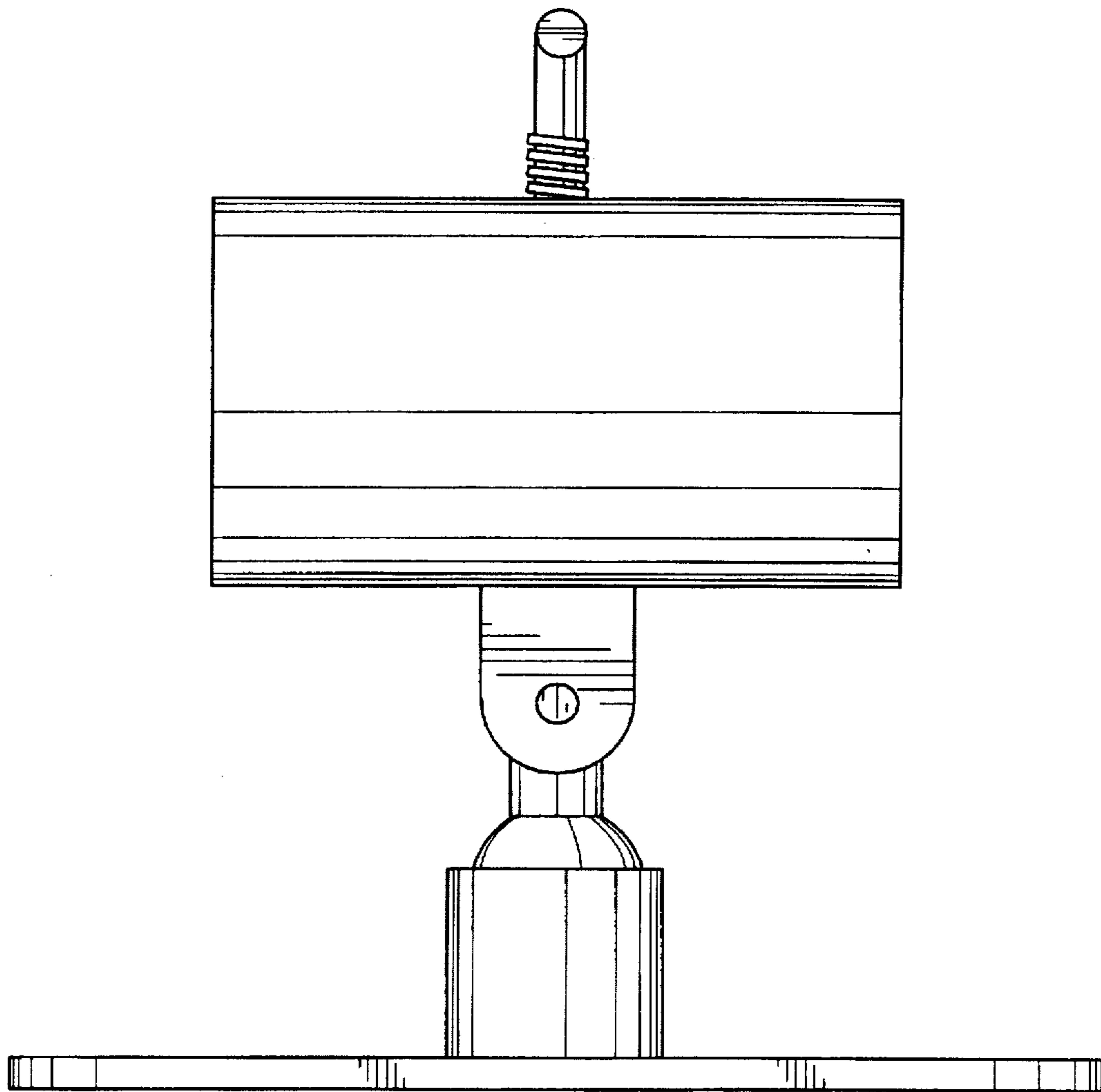


FIG. 3

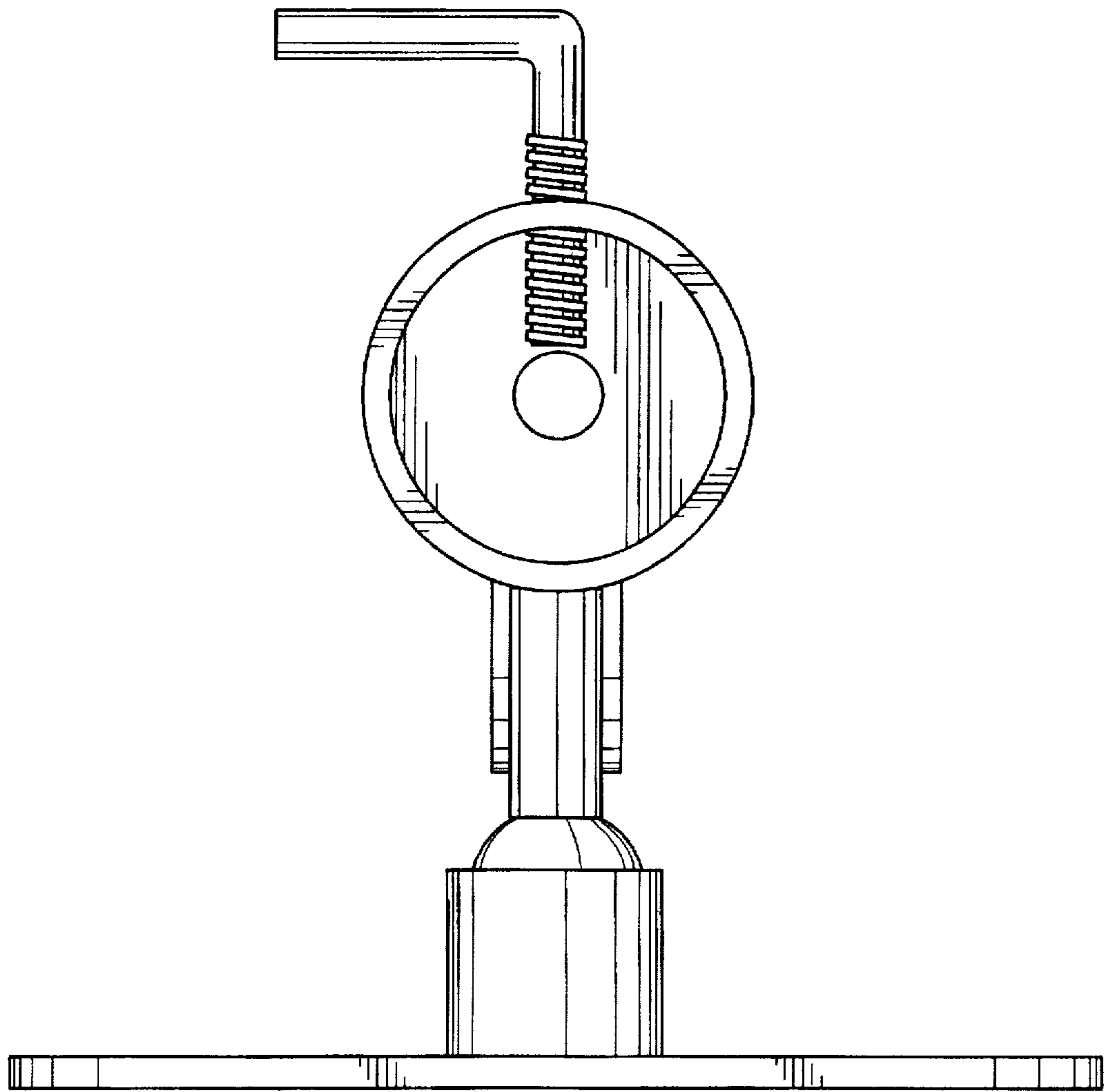


FIG. 4

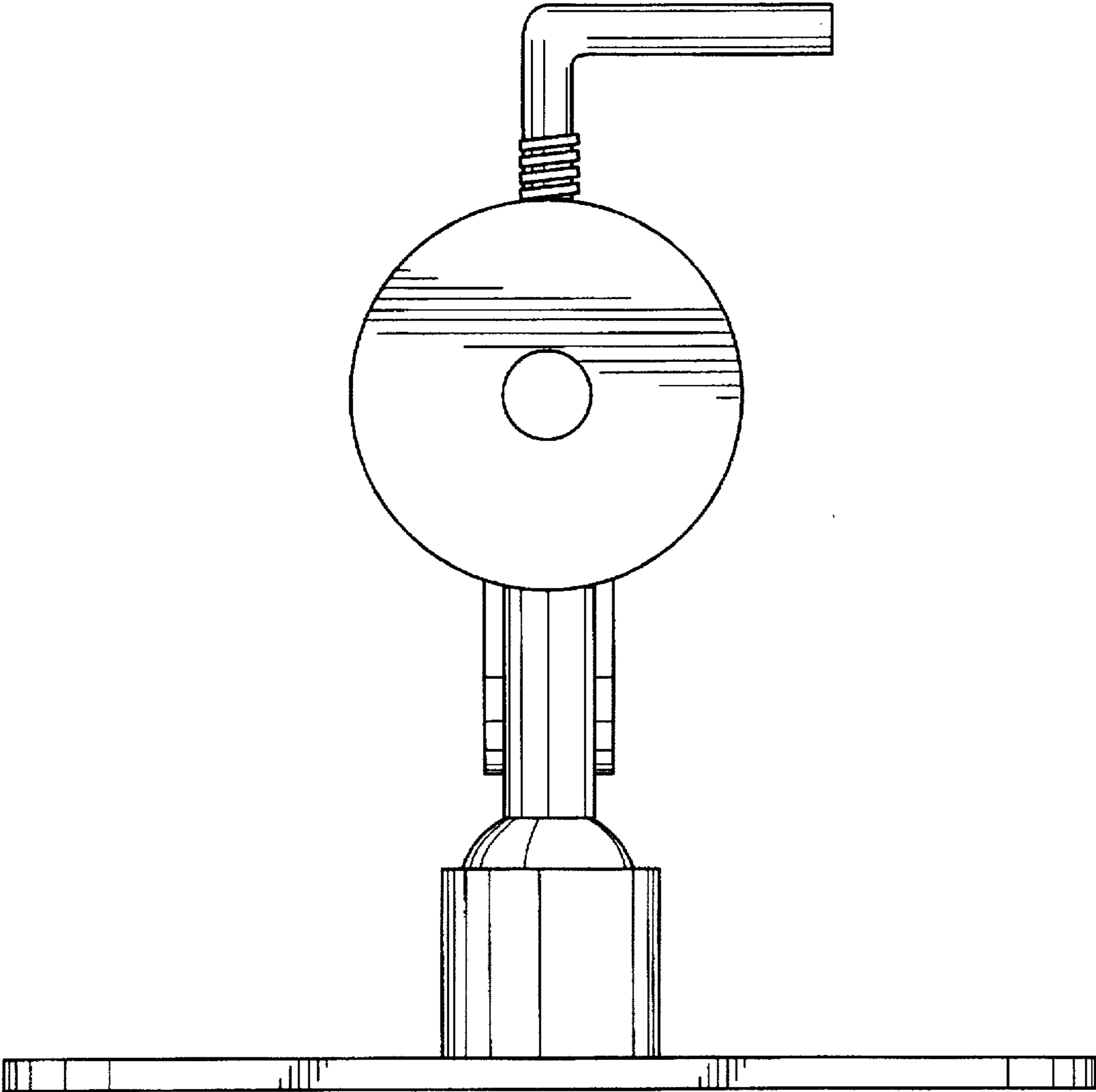


FIG. 5

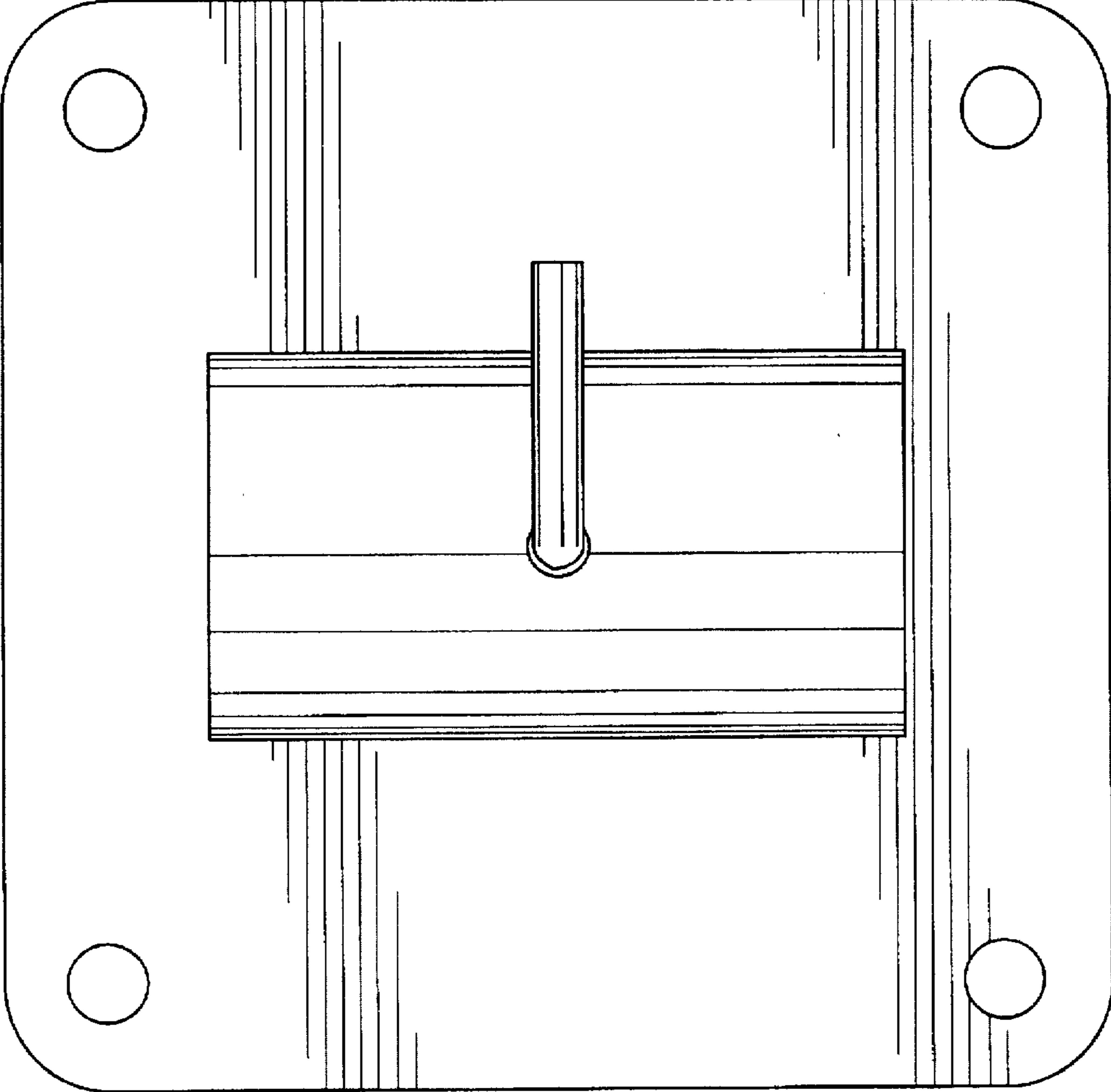


FIG. 6

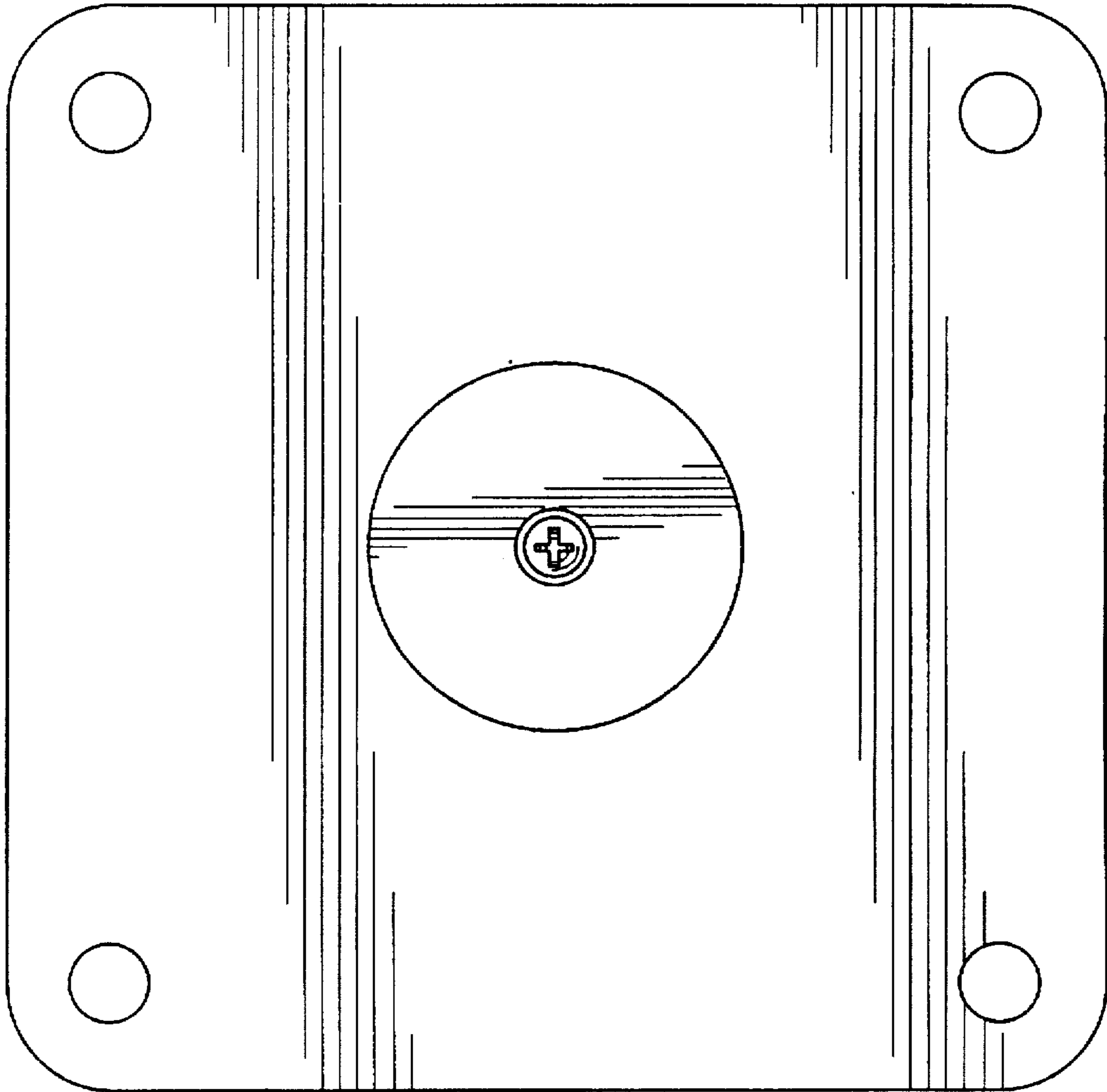


FIG. 7