



US00D384705S

United States Patent [19]

[11] Patent Number: **Des. 384,705**

Muraki et al.

[45] Date of Patent: ****Oct. 7, 1997**

[54] **OPERATING APPARATUS FOR A GAME MACHINE**

4,418,911	12/1983	Bowers et al.	463/47
4,960,117	10/1990	Moncrief et al.	463/46
5,054,771	10/1991	Mansfield	463/47 X
5,195,746	3/1993	Boyd et al.	463/47 X

[75] Inventors: **Hiroyuki Muraki; Katsunori Okita,**
both of Kobe, Japan

OTHER PUBLICATIONS

[73] Assignee: **Konami Co., Ltd., Hyogo-ken, Japan**

Sega Enterprises LTD, 1994.

[**] Term: **14 Years**

Primary Examiner—Prabhakar Deshmukh
Attorney, Agent, or Firm—Jordan and Hamburg

[21] Appl. No.: **58,015**

[57] CLAIM

[22] Filed: **Aug. 6, 1996**

The ornamental design for an operating apparatus for a game machine, as shown and described.

[30] Foreign Application Priority Data

DESCRIPTION

Feb. 19, 1996 [JP] Japan 8-004253

[51] LOC (6) Cl. **21-01**

FIG. 1 is a front elevational view of an operating apparatus for a game machine showing our new design;

[52] U.S. Cl. **D21/48; D14/124**

FIG. 2 is a rear elevational view thereof;

[58] Field of Search D21/1, 13, 48,
D21/236, 237; 273/148 B; 463/1-5, 30-35,
46, 47, 49, 51

FIG. 3 is a left side elevational view thereof;

FIG. 4 is a right side elevational view thereof;

FIG. 5 is a top plan view thereof;

FIG. 6 is a bottom plan view thereof;

FIG. 7 is a perspective view thereof; and,

FIG. 8 is a perspective view thereof; shown in use.

[56] References Cited

The broken line showing of a screen cabinet is for illustrative purpose only and forms no part of the claim.

U.S. PATENT DOCUMENTS

D. 265,839	8/1982	Kite et al.	D21/13
D. 280,836	10/1985	Ludzia et al.	D21/13
D. 364,755	12/1995	Suarez	D21/13 X
4,133,530	1/1979	Takaichi et al.	463/46

1 Claim, 8 Drawing Sheets

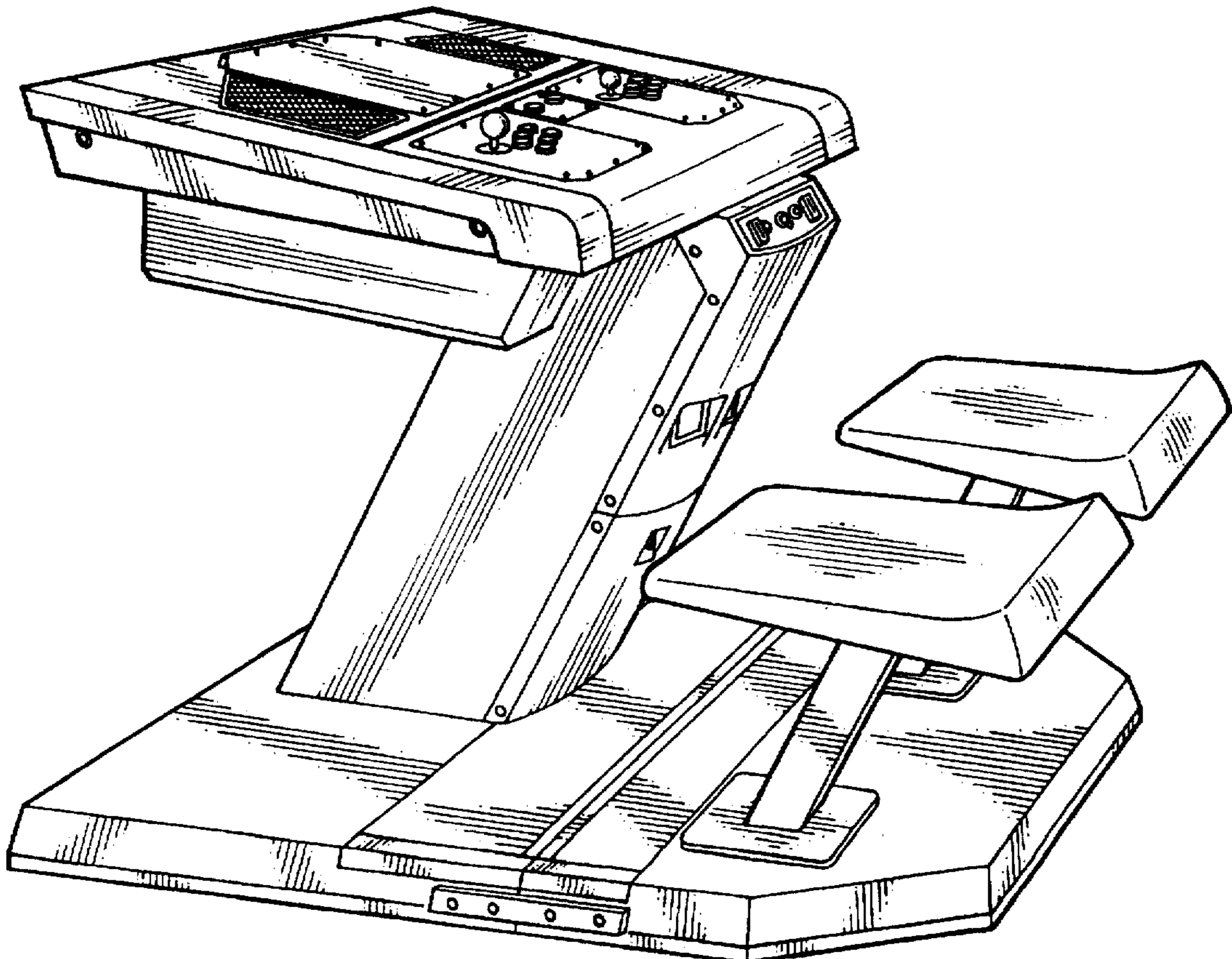


FIG. 1

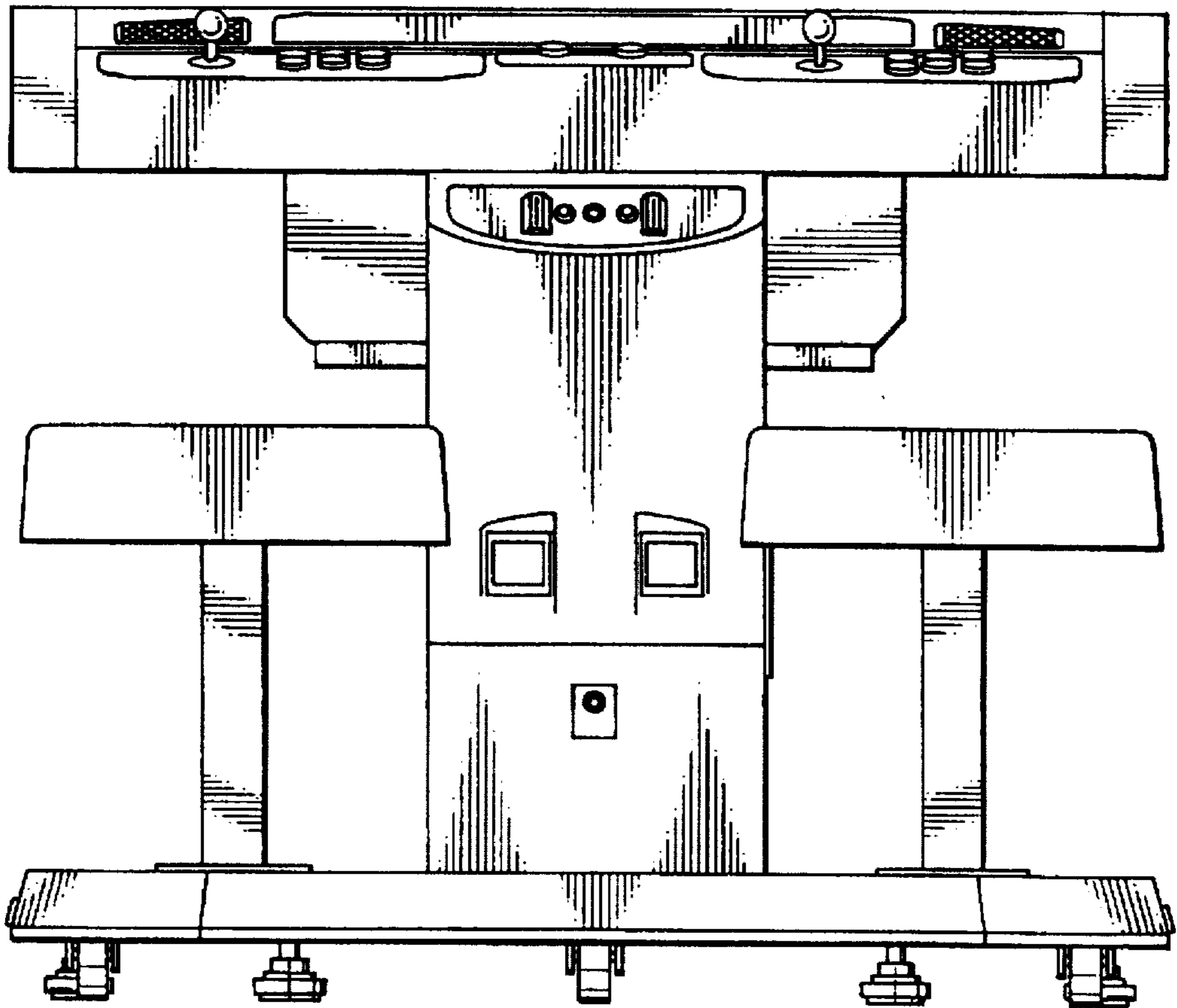


FIG. 2

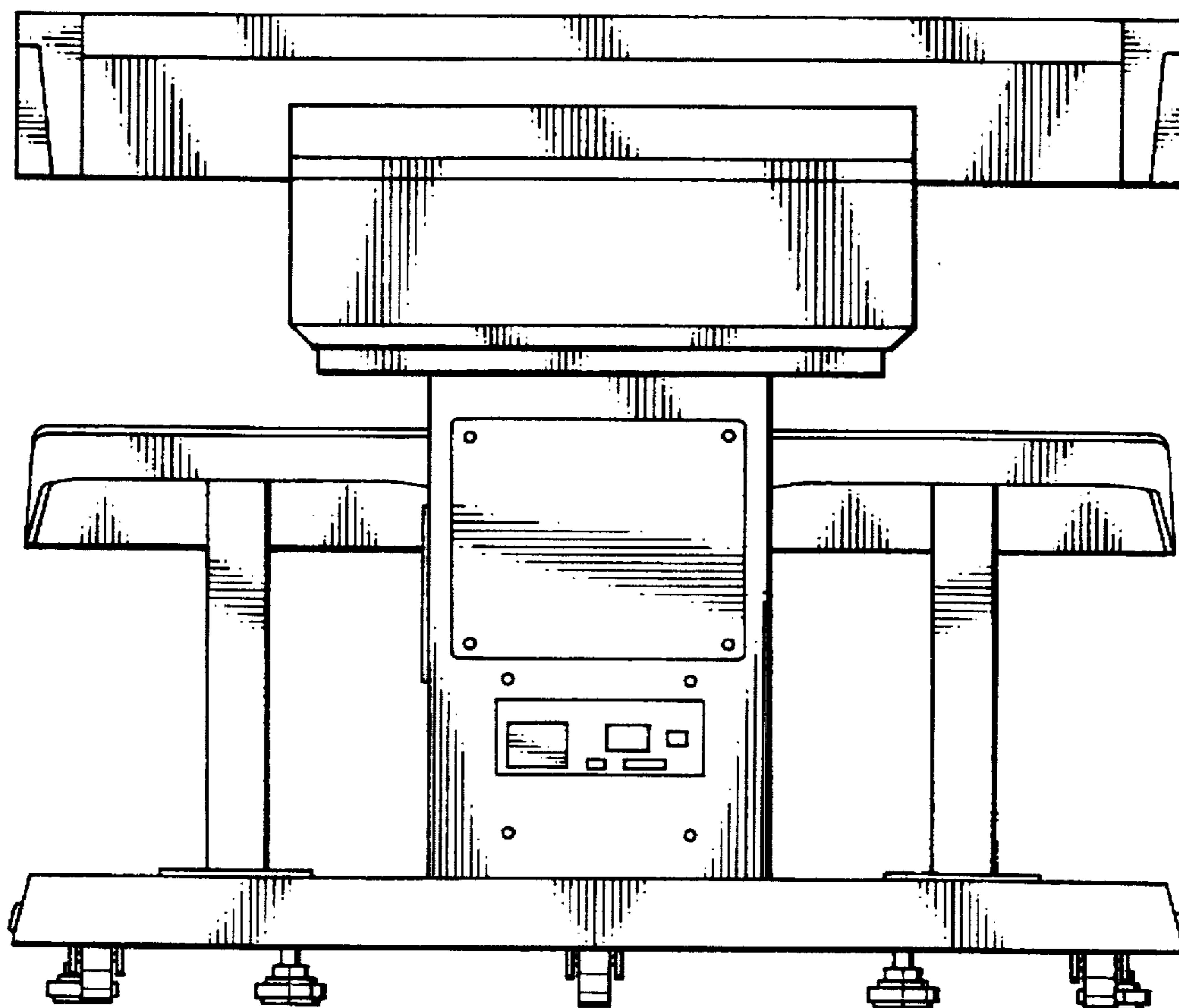


FIG. 3

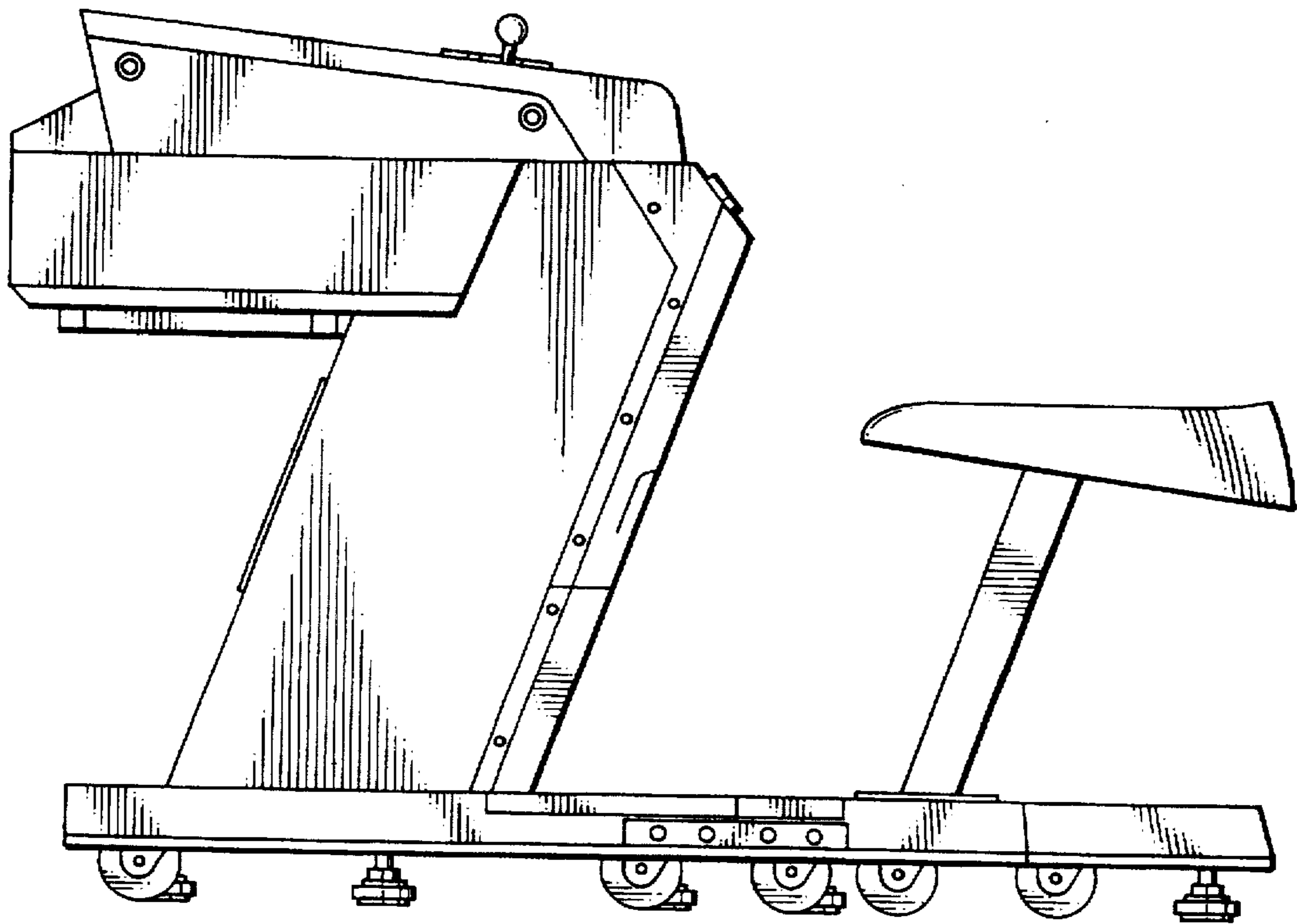


FIG. 4

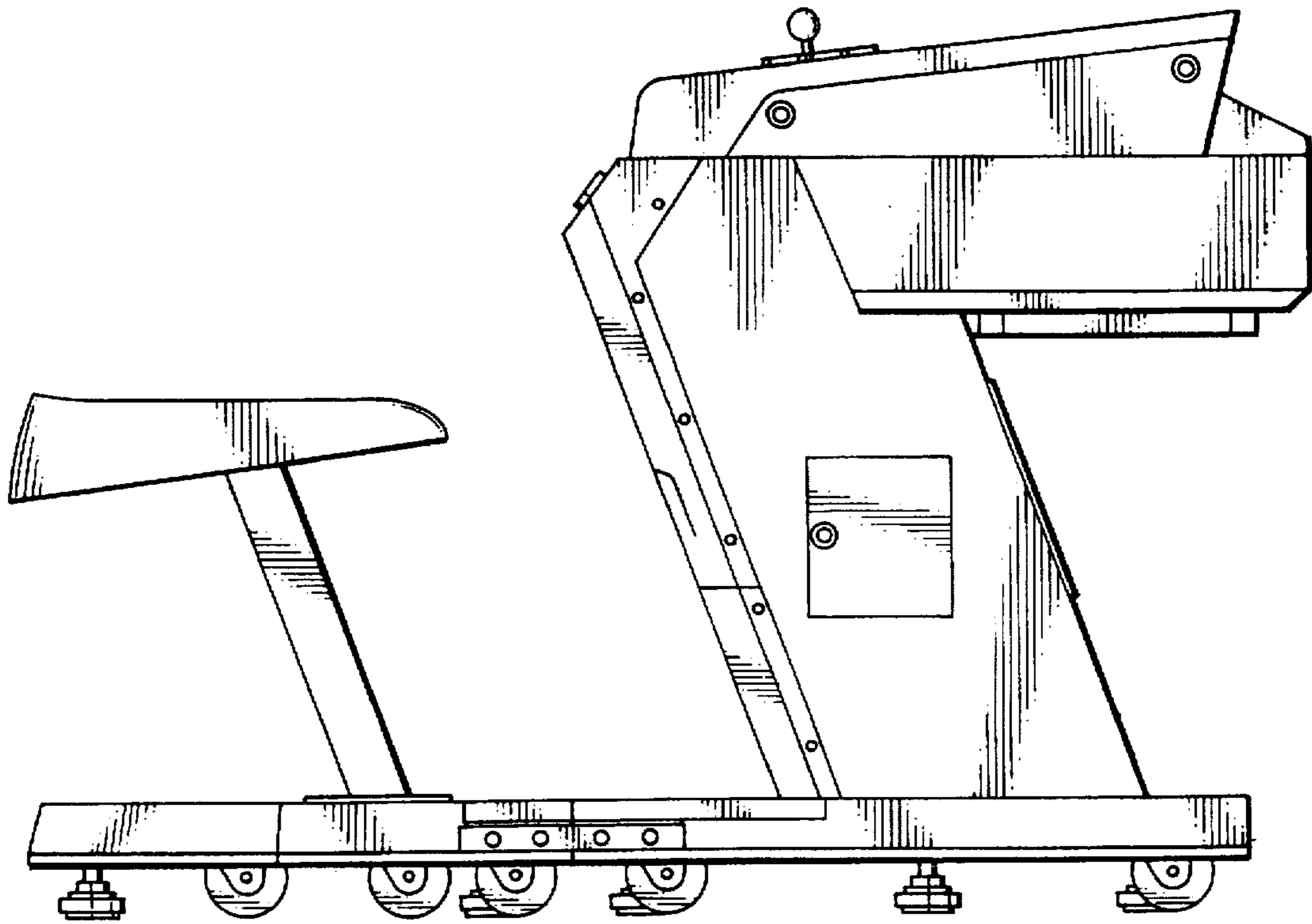


FIG. 5

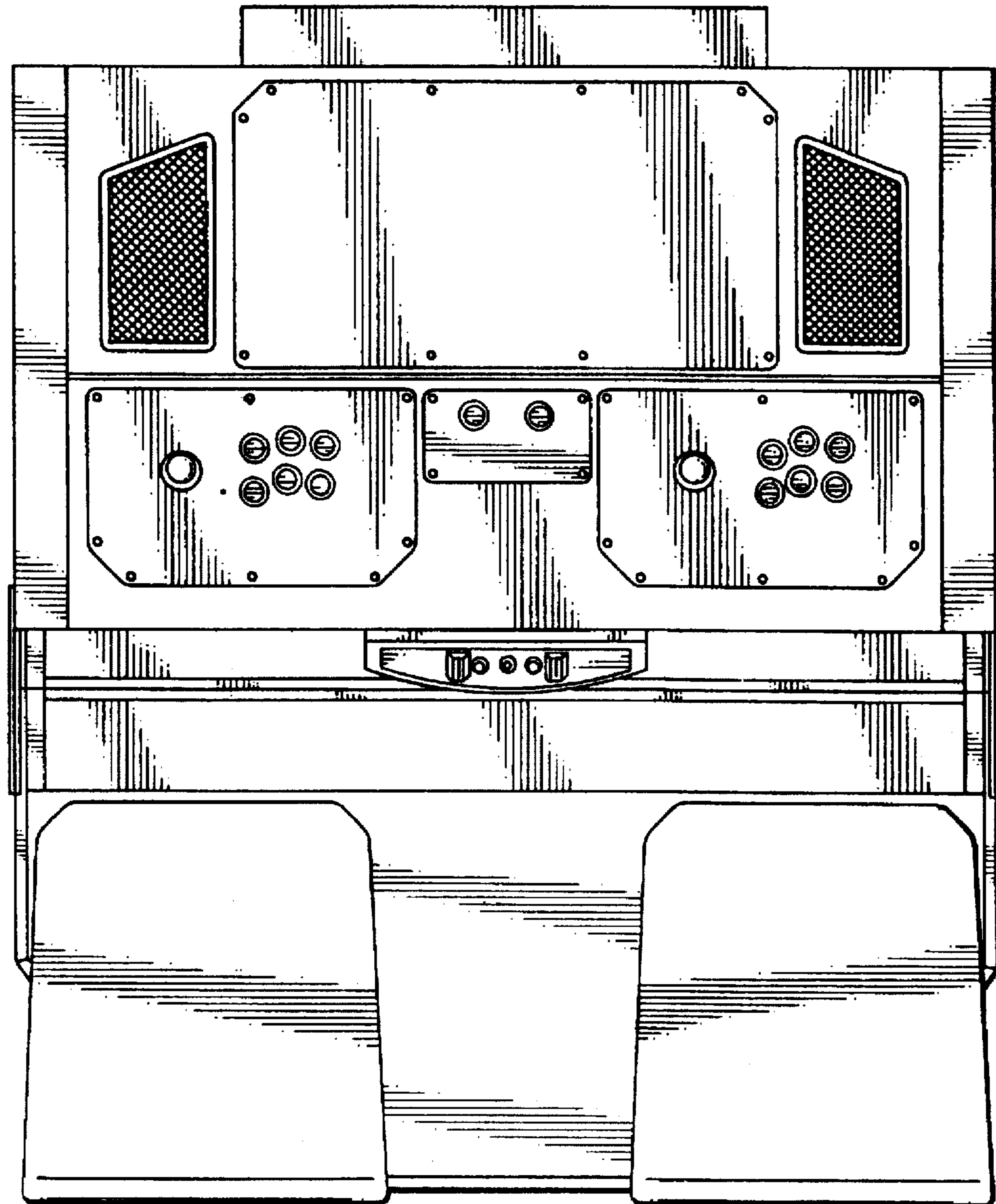


FIG. 6

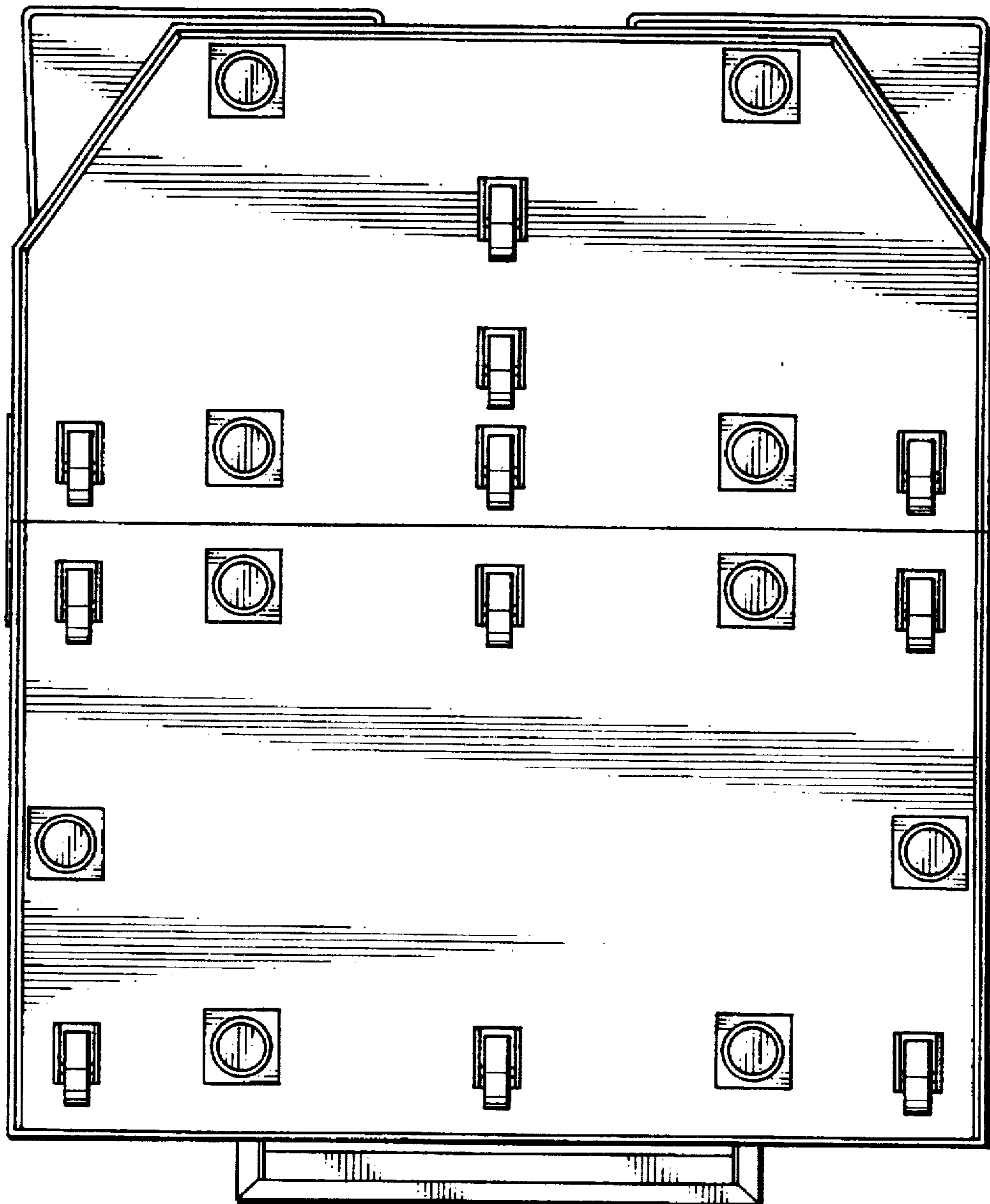
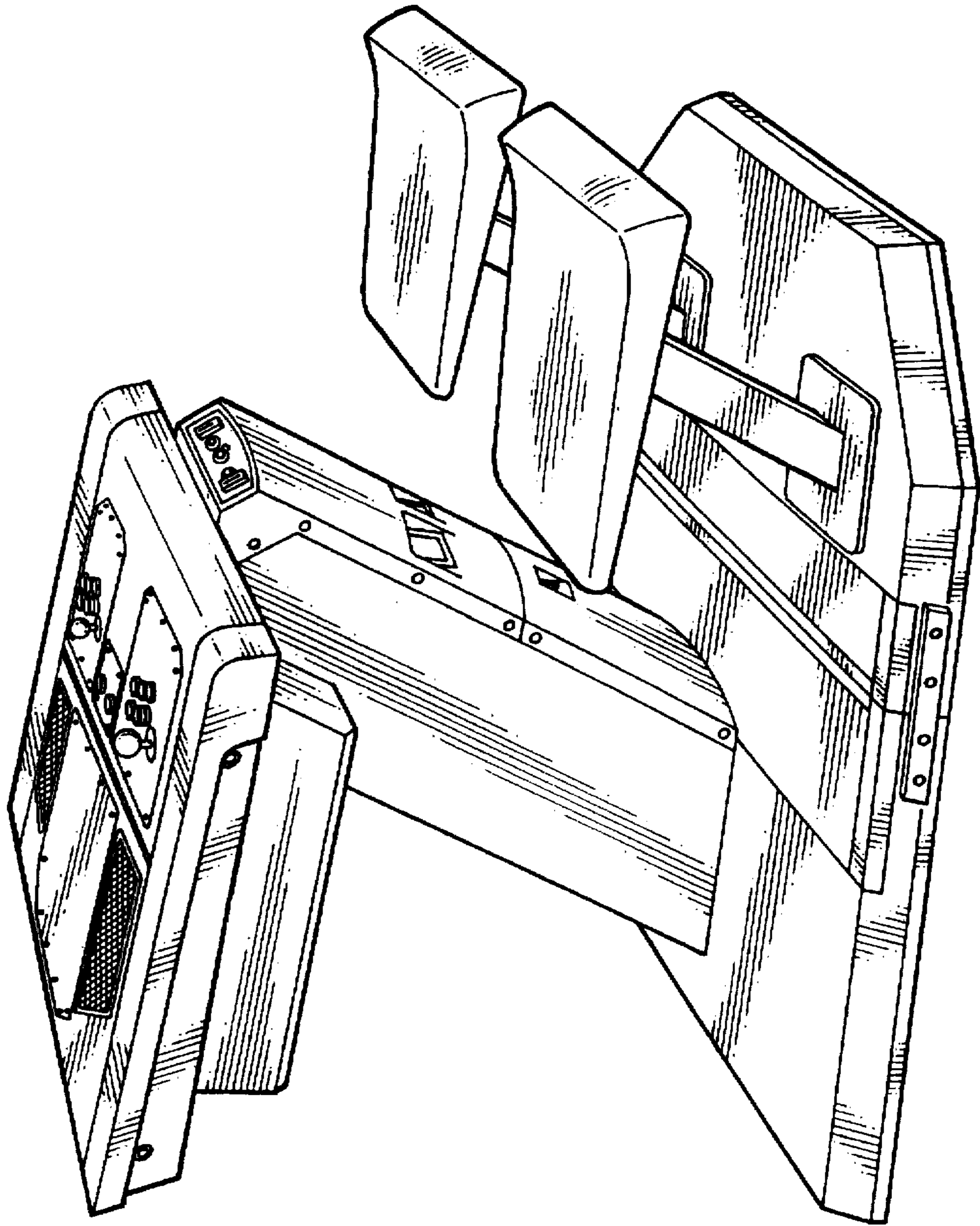


FIG. 7



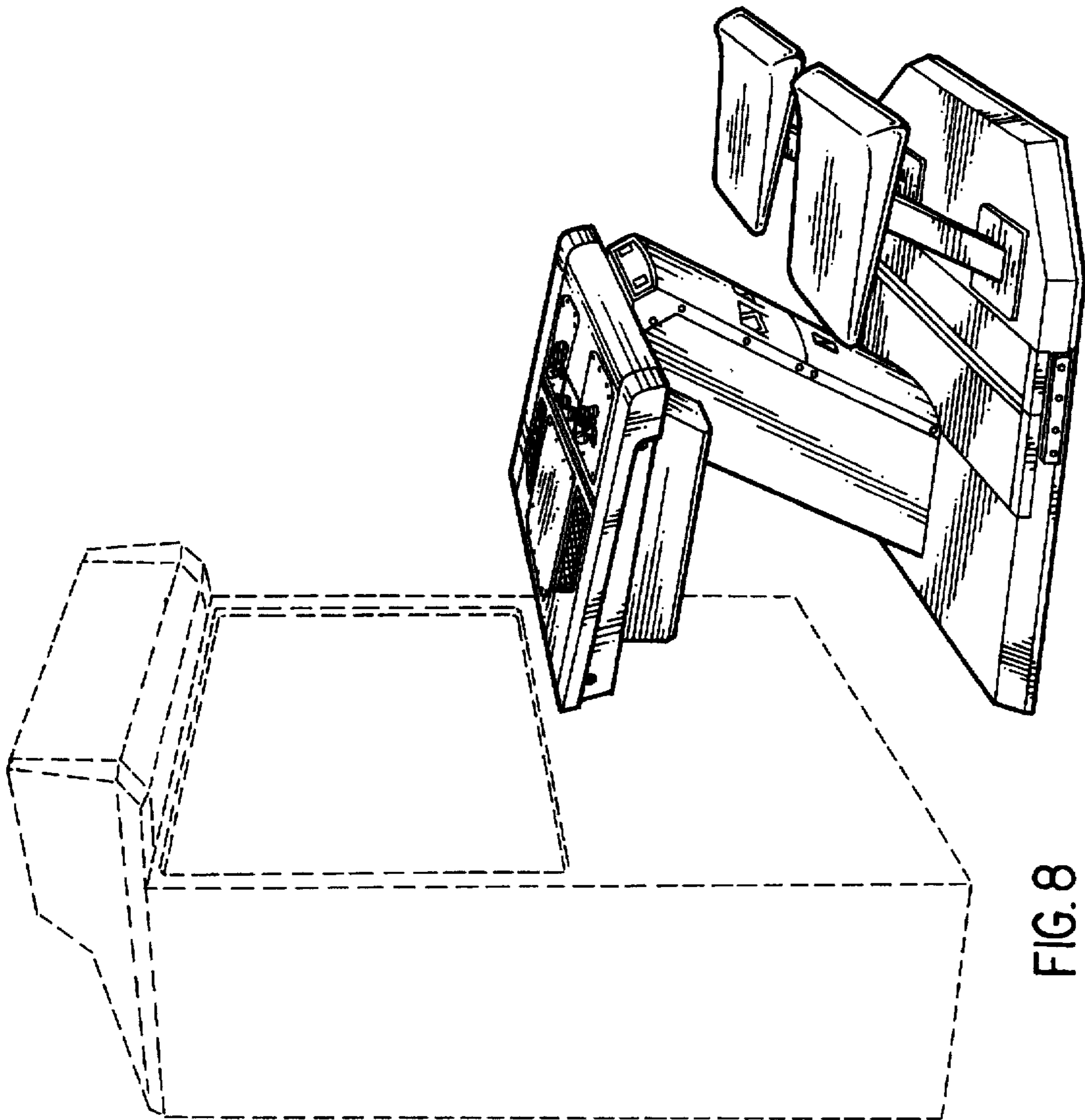


FIG. 8