

US00D384703S

United States Patent [19]
Chuang

[11] **Patent Number:** **Des. 384,703**
[45] **Date of Patent:** ****Oct. 7, 1997**

[54] **FISHING TOY**

[76] **Inventor:** **Chuan-Tien Chuang**, No. 40, Lane 174, Da-Shing Street, Tainan, Taiwan

[**] **Term:** **14 Years**

[21] **Appl. No.:** **51,468**

[22] **Filed:** **Mar. 11, 1996**

[51] **LOC (6) Cl.** **21-01**

[52] **U.S. Cl.** **D21/25; D21/59; D21/158**

[58] **Field of Search** **D21/1, 12, 14-36, D21/59, 65, 158; 273/236-285, 113, 457, 448; D19/64**

[56] **References Cited**

U.S. PATENT DOCUMENTS

D. 318,075	7/1991	Capper et al.	D21/65
D. 347,392	5/1994	Kuo	D21/158
4,603,860	8/1986	Wey	273/113
4,834,373	5/1989	Chaun-Tien	273/113
5,429,369	7/1995	Hurst	273/243

OTHER PUBLICATIONS

Oriental Trading Company holiday Catalog, p. 81 Bear bank.

Primary Examiner—Sandra L. Morris
Attorney, Agent, or Firm—Bacon & Thomas

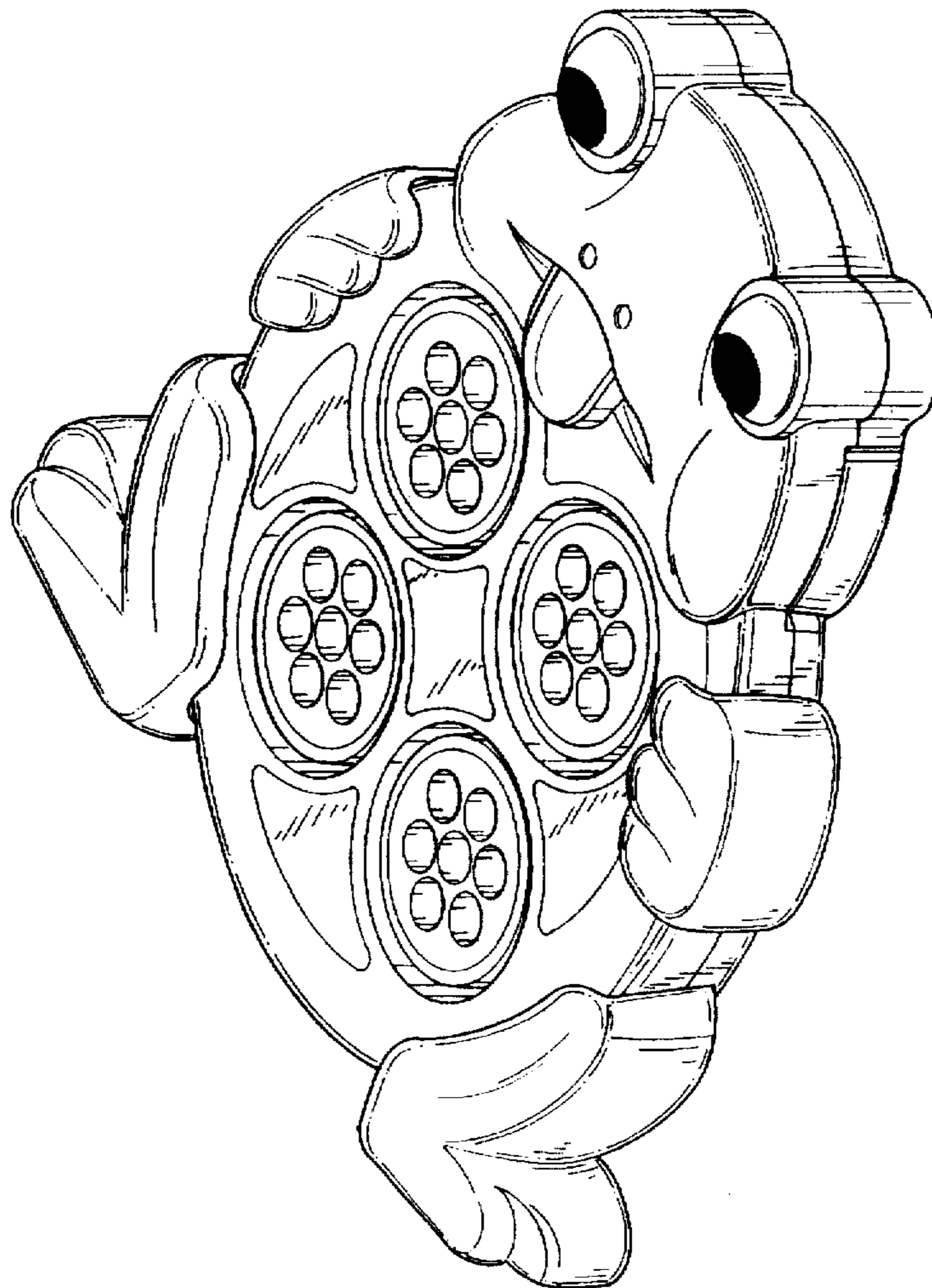
[57] **CLAIM**

The ornamental design for the fishing toy, as shown and described.

DESCRIPTION

FIG. 1 is a top, front left side perspective view of a fishing toy showing my new design;
FIG. 2 is a front elevational view;
FIG. 3 is a rear elevational view;
FIG. 4 is a right side elevational view;
FIG. 5 is a left side elevational view;
FIG. 6 is a top plan view; and,
FIG. 7 is a bottom plan view thereof.

1 Claim, 7 Drawing Sheets



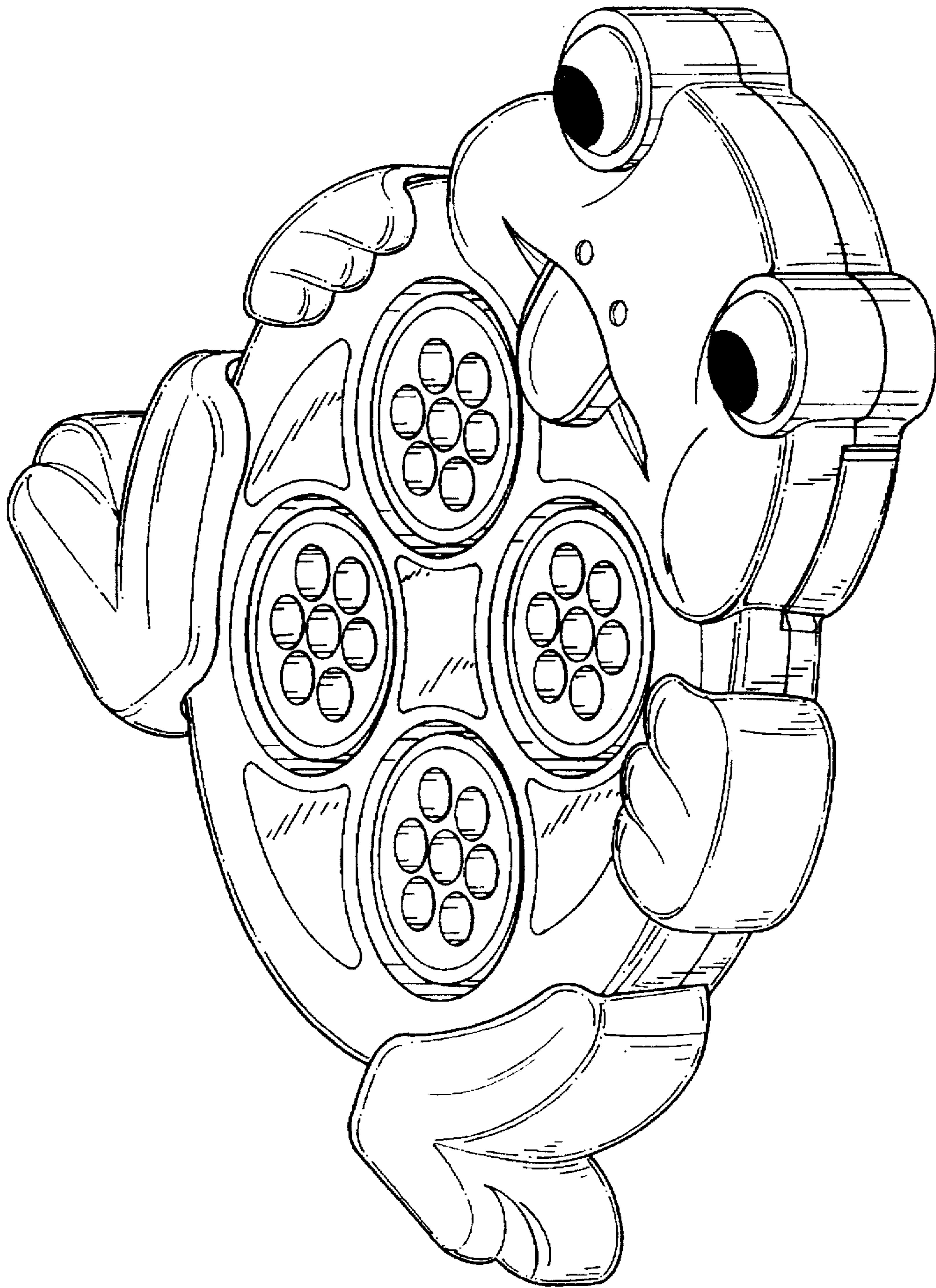


FIG. 1

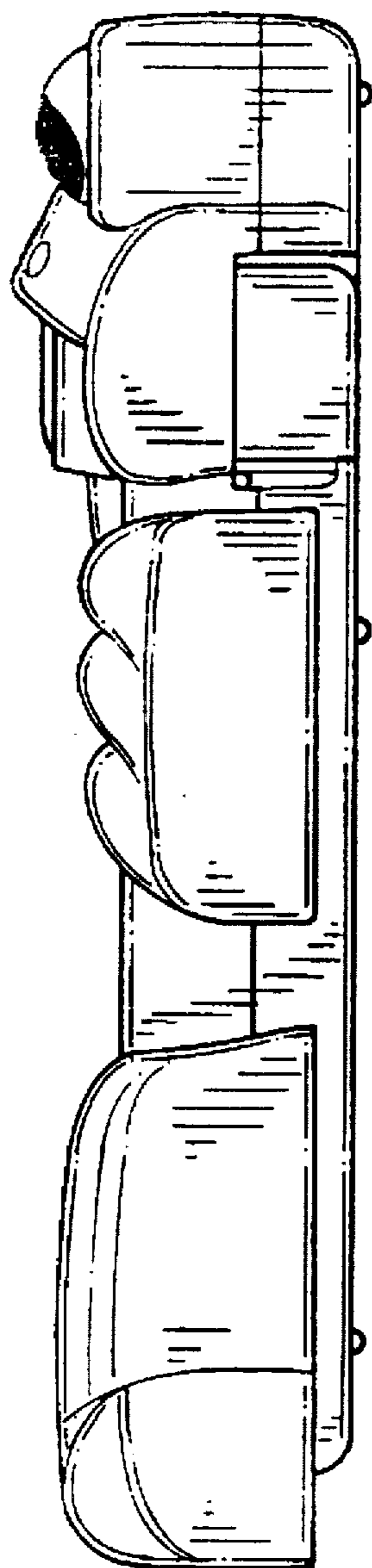


FIG. 2

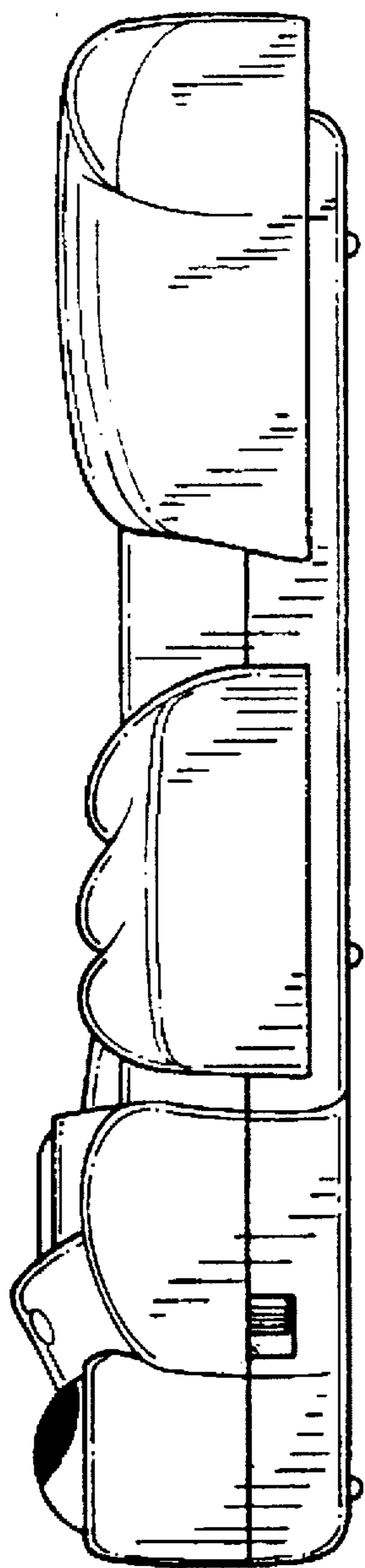


FIG. 3

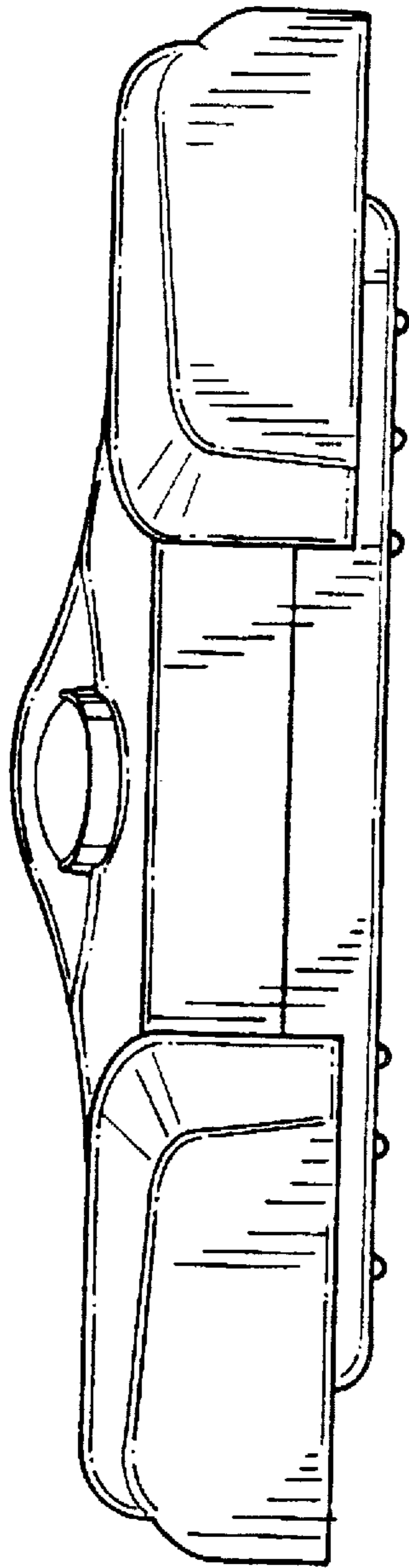


FIG. 4

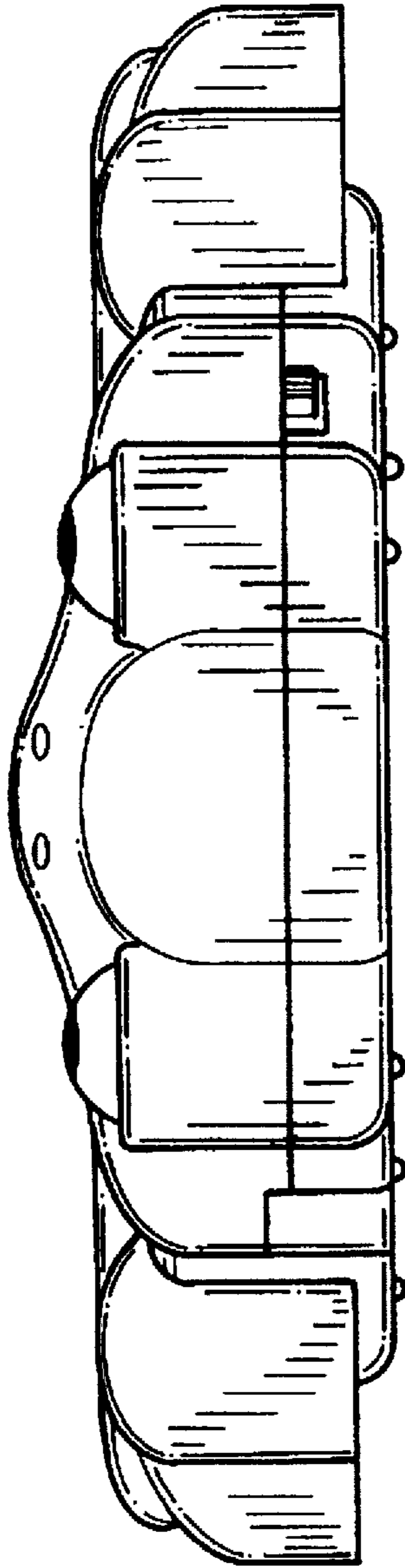


FIG. 5

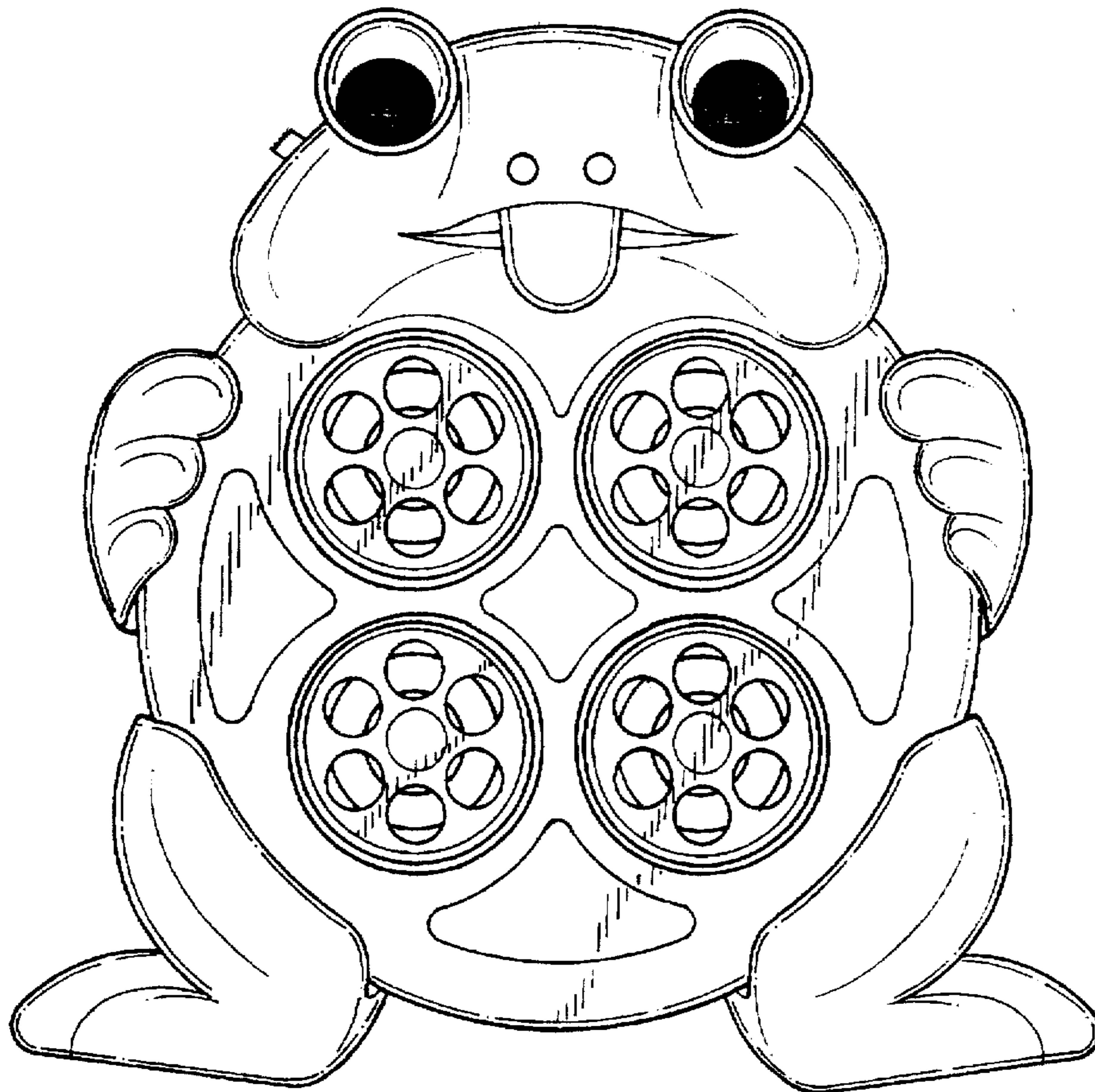


FIG. 6

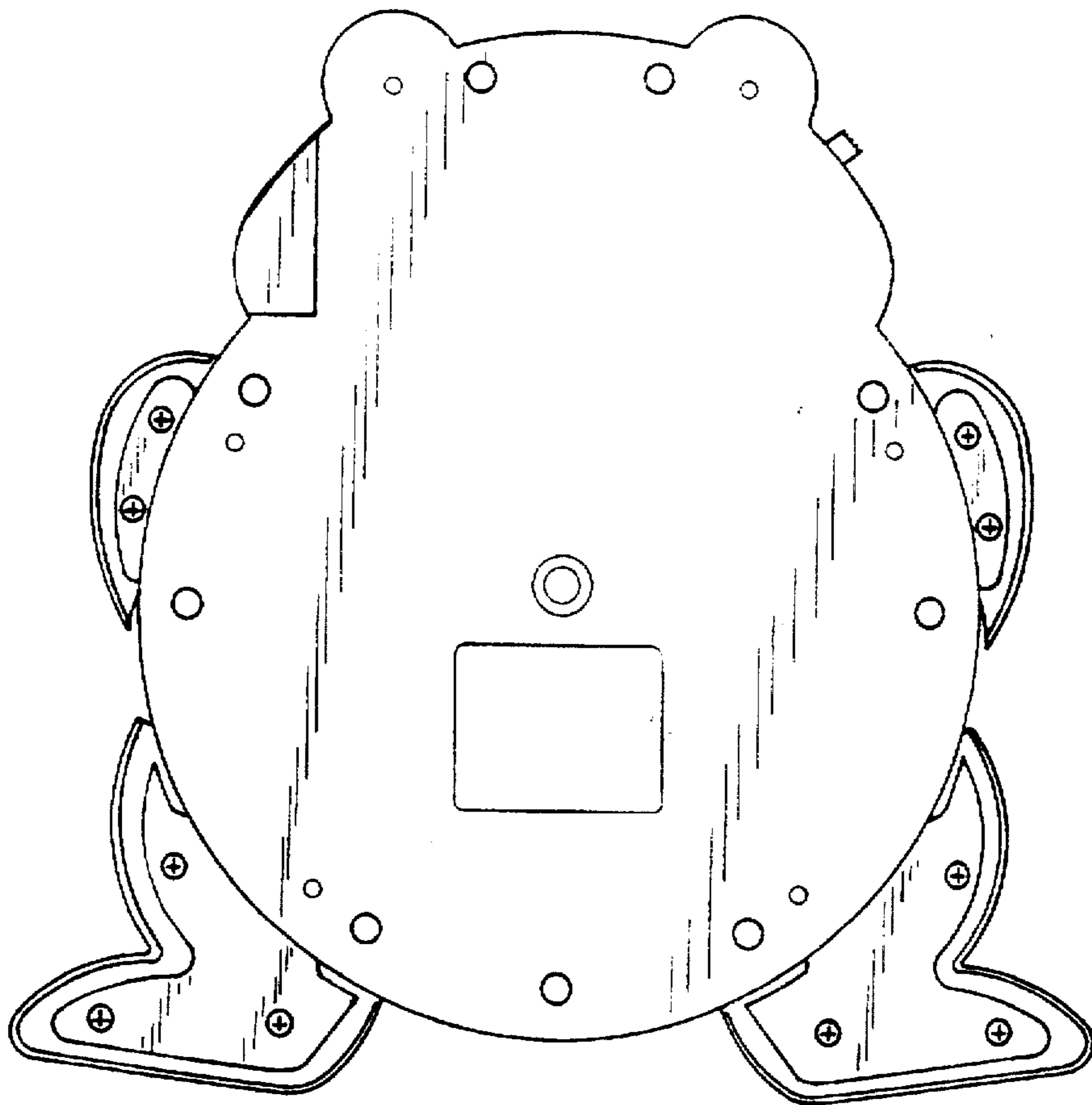


FIG. 7