



US00D384702S

United States Patent [19]
Watanabe

[11] **Patent Number:** **Des. 384,702**
[45] **Date of Patent:** ****Oct. 7, 1997**

[54] **AMUSEMENT DEVICE FEATURING LIGHTING**

[75] **Inventor:** **Makiko Watanabe, Tokyo, Japan**

[73] **Assignee:** **Tomy Company, Ltd., Japan**

[**] **Term:** **14 Years**

[21] **Appl. No.:** **52,731**

[22] **Filed:** **Apr. 5, 1996**

[30] **Foreign Application Priority Data**

Oct. 5, 1995 [JP] Japan 7-29892

[51] **LOC (6) Cl.** **21-01**

[52] **U.S. Cl.** **D21/13; D19/60**

[58] **Field of Search** **D21/13, 48, 1; D19/60, 62; 363/30-35, 40-47; 84/464 R, 464 A, 470 R**

[56] **References Cited**

U.S. PATENT DOCUMENTS

D. 262,720 1/1982 Dweck D21/13
D. 311,036 10/1990 Kelly D19/60 X
D. 345,377 3/1994 Poon D19/60

D. 348,483 7/1994 Chow et al. D19/62
D. 349,300 8/1994 Lau D19/62
D. 369,831 5/1996 Chow et al. D21/13 X
4,494,755 1/1985 Caillouet, Jr. 363/40

OTHER PUBLICATIONS

Video Technology Industries Inc. 1992, p. 20.
Sears Toys. 1985, p. 494.
Playthings, Mar. 1994, p. 38.

Primary Examiner—Prabhakar G. Deshmukh
Attorney, Agent, or Firm—Staas & Halsey

[57] **CLAIM**

The ornamental design for a amusement device featuring lighting, as shown.

DESCRIPTION

FIG. 1 is a front elevational view;
FIG. 2 is a rear elevational view;
FIG. 3 is a top plan view;
FIG. 4 is a bottom plan view;
FIG. 5 is a right side elevational view; and,
FIG. 6 is a left side elevational view.

1 Claim, 5 Drawing Sheets

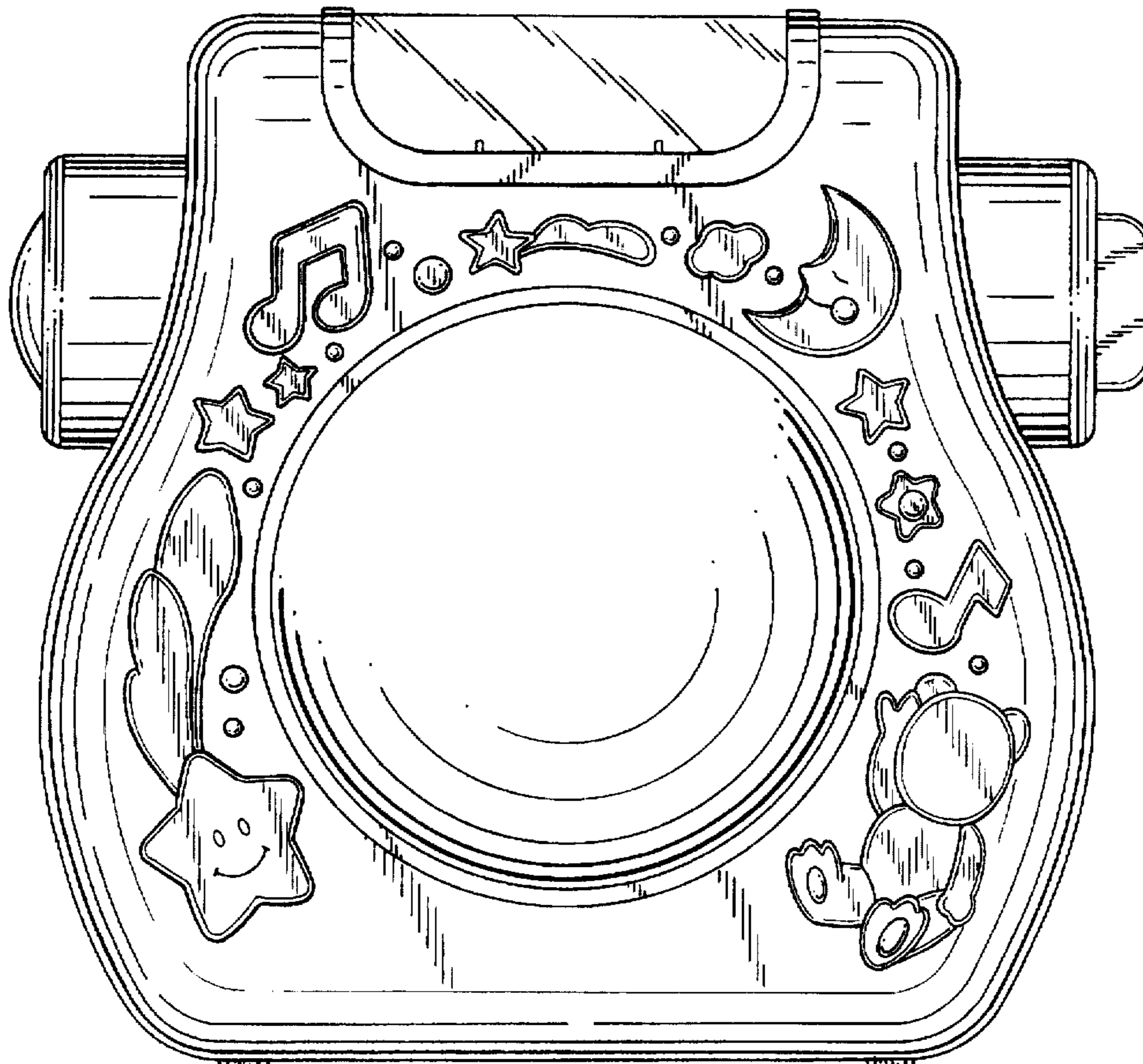


FIG. 1

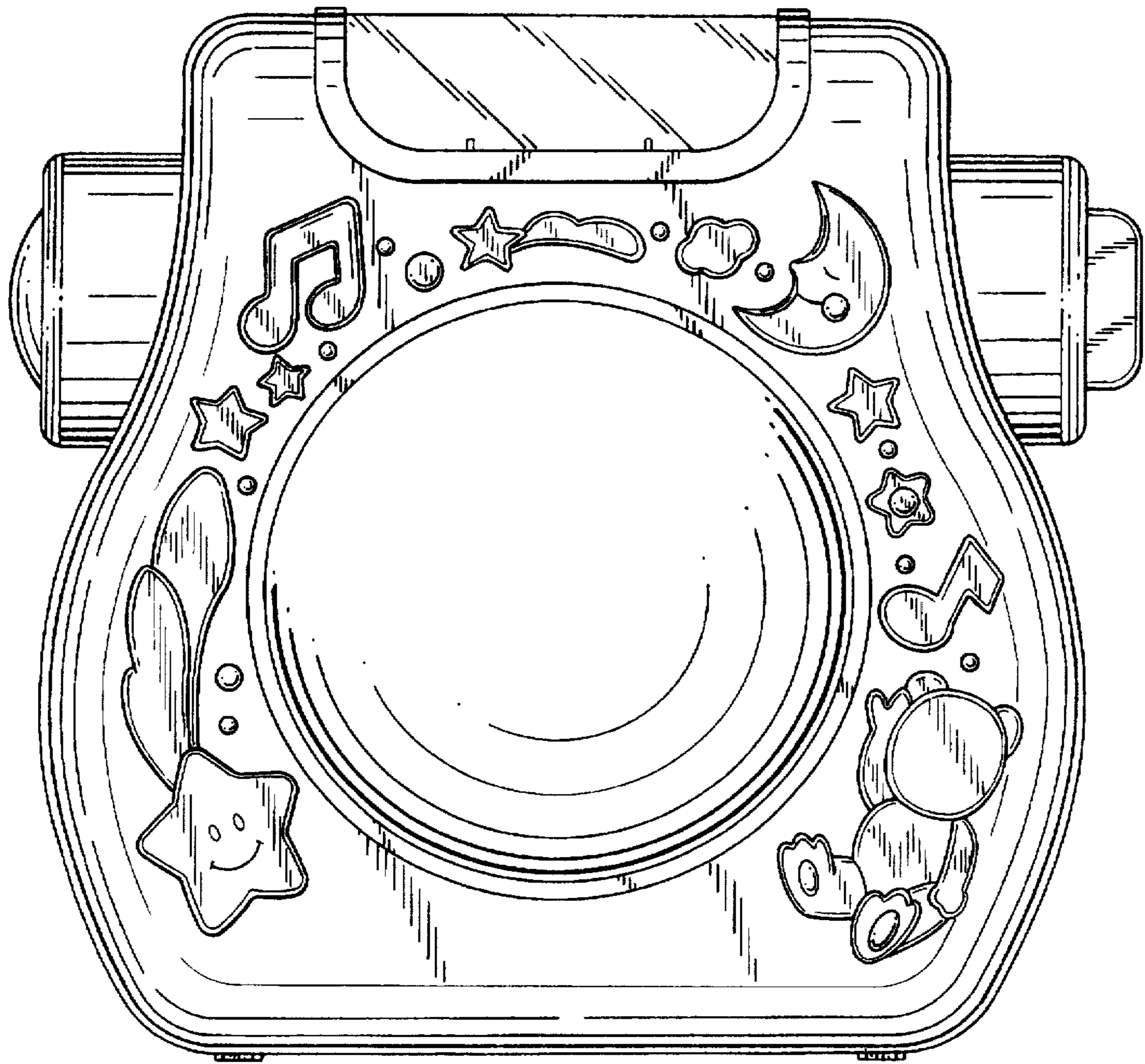


FIG. 2

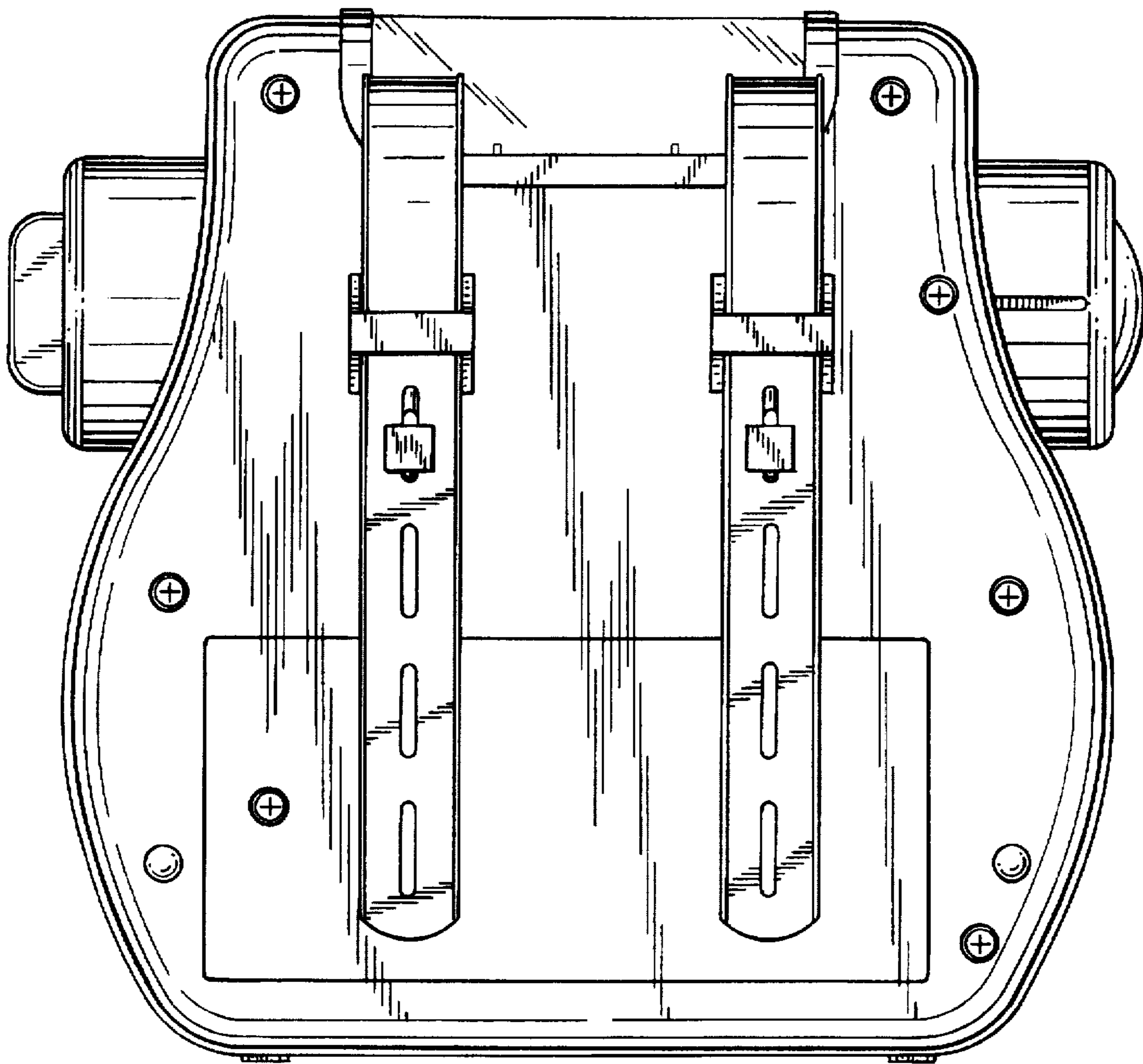


FIG. 3

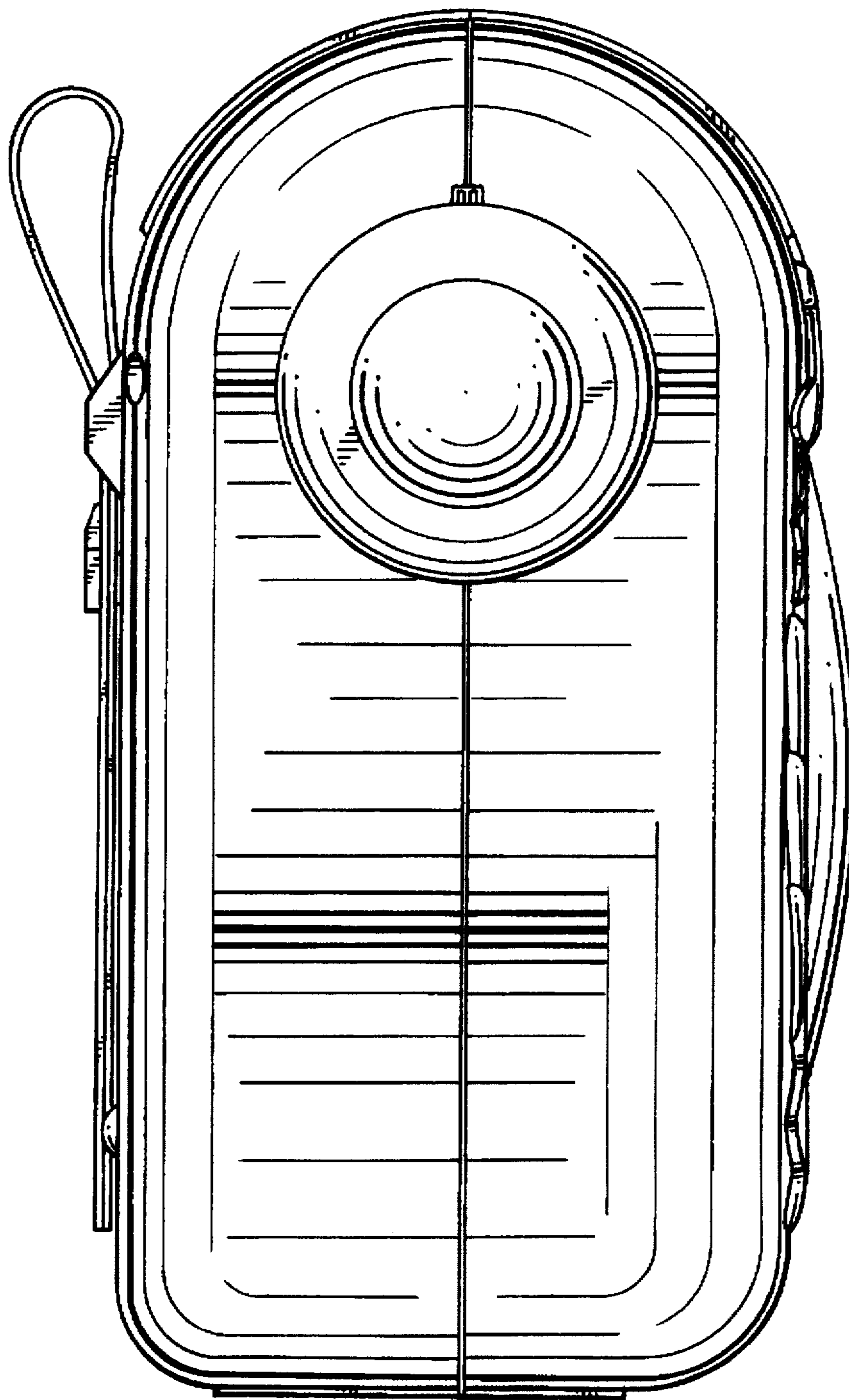


FIG. 4

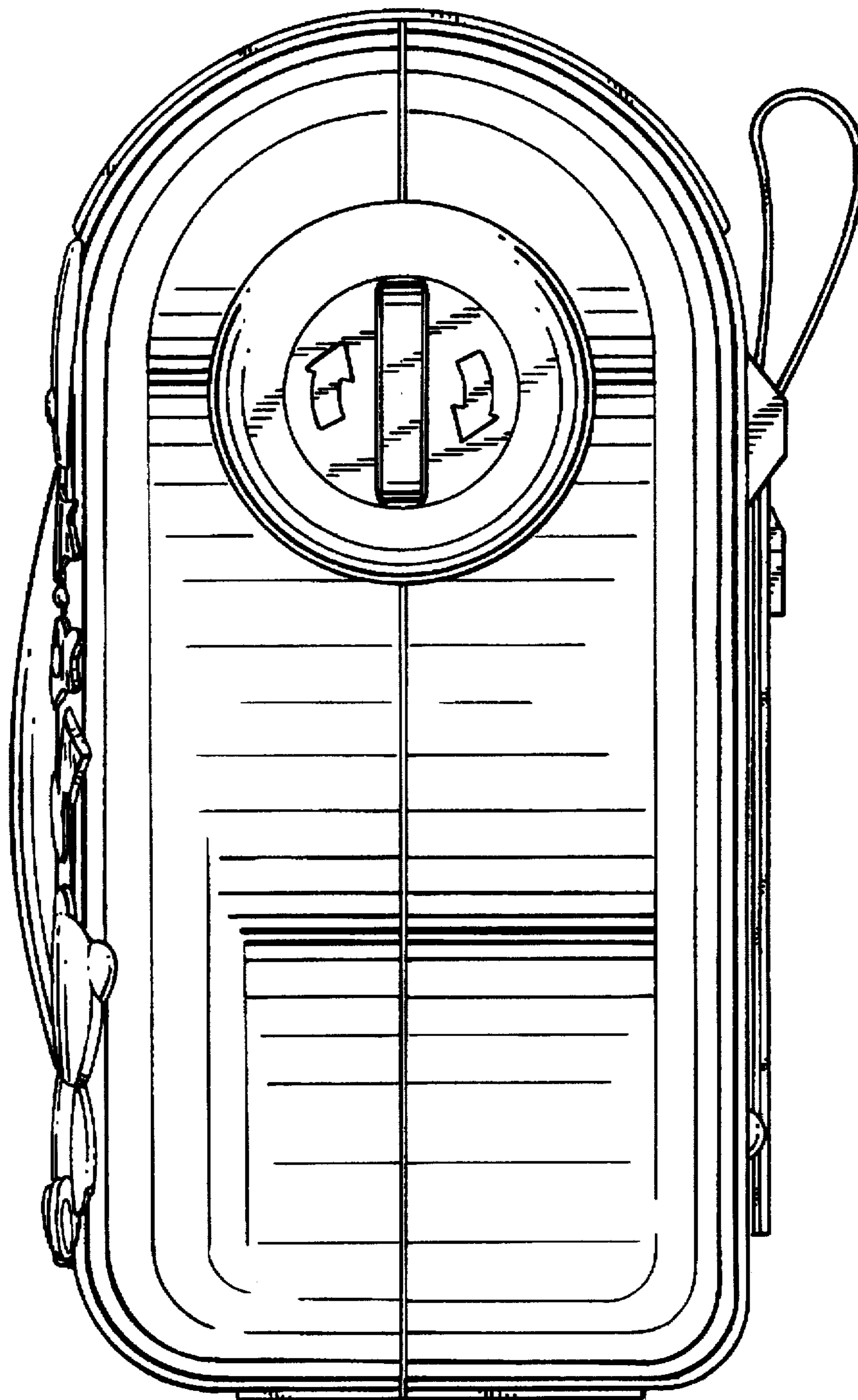


FIG. 5

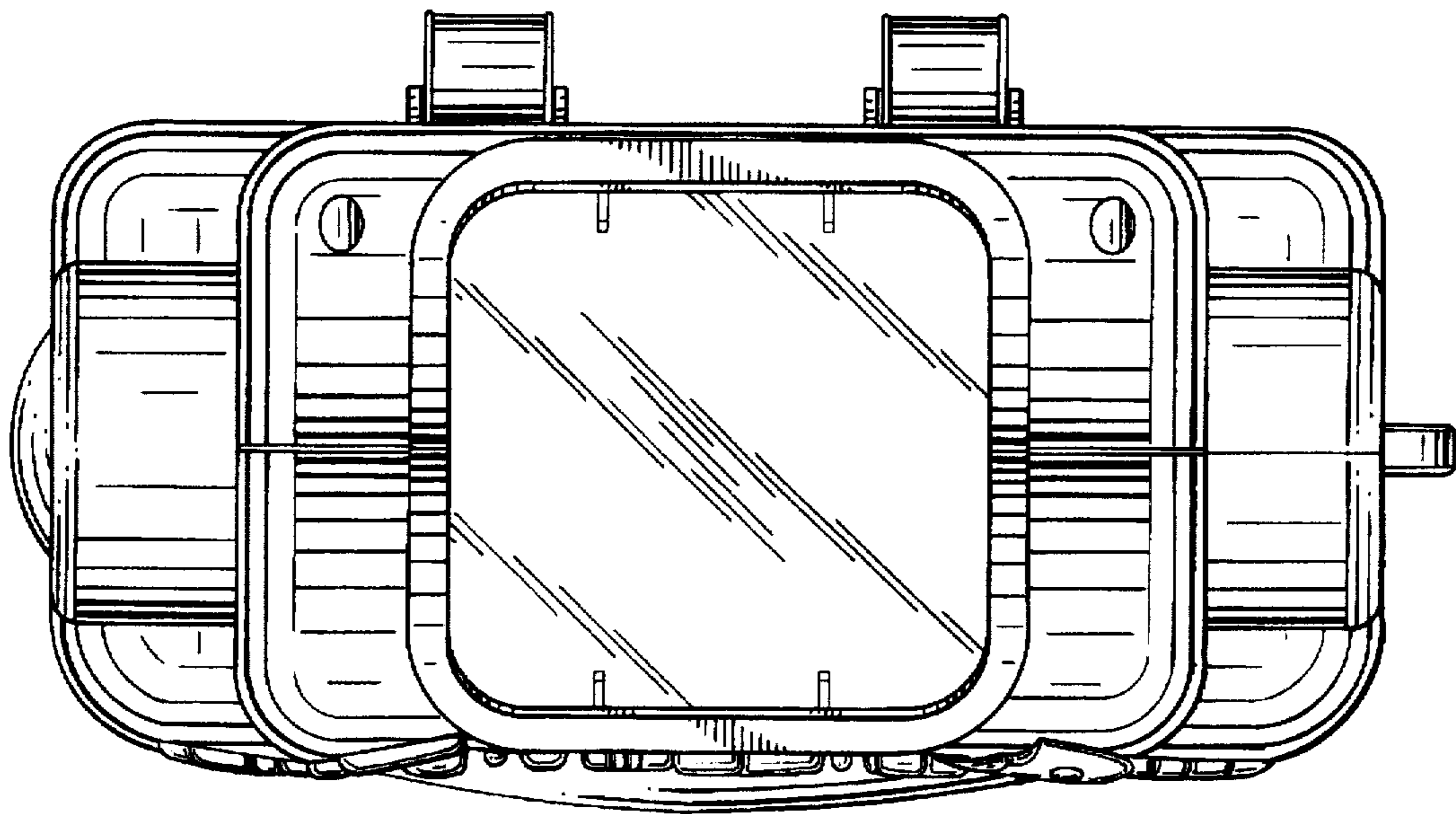


FIG. 6

