



US00D384699S

United States Patent [19]
Greene

[11] **Patent Number: Des. 384,699**

[45] **Date of Patent: **Oct. 7, 1997**

[54] **BOOK HOLDING TRAY**

3,029,548 4/1962 Braha 248/455
4,512,603 4/1985 Williams 248/451 X

[76] **Inventor: Philip D. Greene, 336 Ridgewood Ave., Mill Valley, Calif. 94941**

*Primary Examiner—Martie Thompson
Attorney, Agent, or Firm—Larry D. Johnson*

[**] **Term: 14 Years**

[57] **CLAIM**

[21] **Appl. No.: 50,817**

The ornamental design for a book holding tray, as shown and described.

[22] **Filed: Feb. 27, 1996**

DESCRIPTION

[51] **LOC (6) Cl. 19-02**

[52] **U.S. Cl. D19/91; D6/406; D19/92**

[58] **Field of Search D6/419, 406, 440;
D19/65, 75, 86, 88, 90, 91, 92, 99, 100;
281/42, 45; 248/441.1, 451, 455**

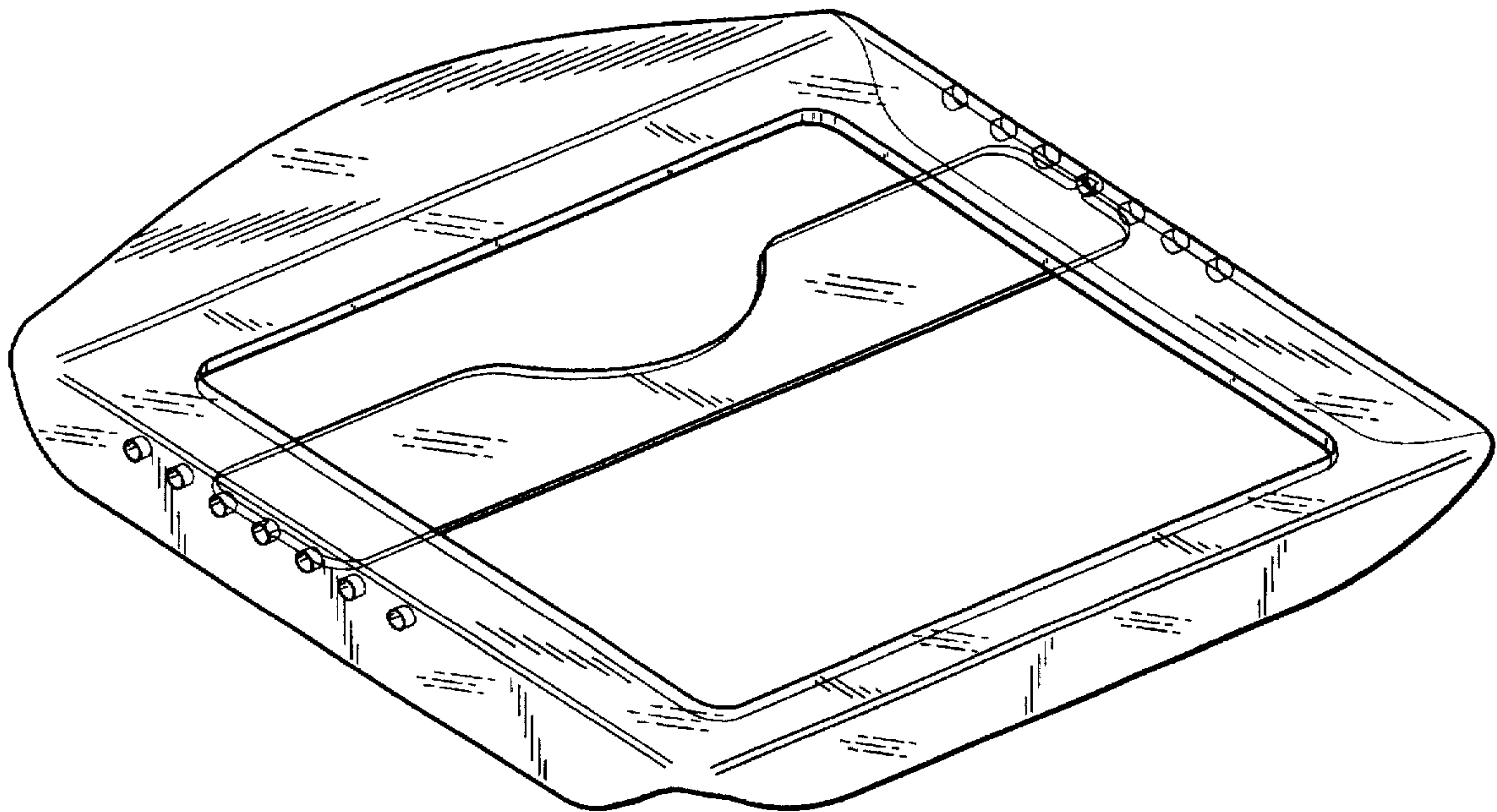
FIG. 1 is a the lower left front perspective view of the book holding tray showing my new design;
FIG. 2 is the front elevational view thereof;
FIG. 3 is the right side elevational view, the left side being a mirror image thereof;
FIG. 4 is a top plan view thereof;
FIG. 5 is a rear elevational view thereof; and,
FIG. 6 is a bottom plan view thereof.

[56] **References Cited**

U.S. PATENT DOCUMENTS

D. 275,018 8/1984 Kessler et al. D6/419 X
D. 292,249 10/1987 Stade D19/91 X

1 Claim, 3 Drawing Sheets



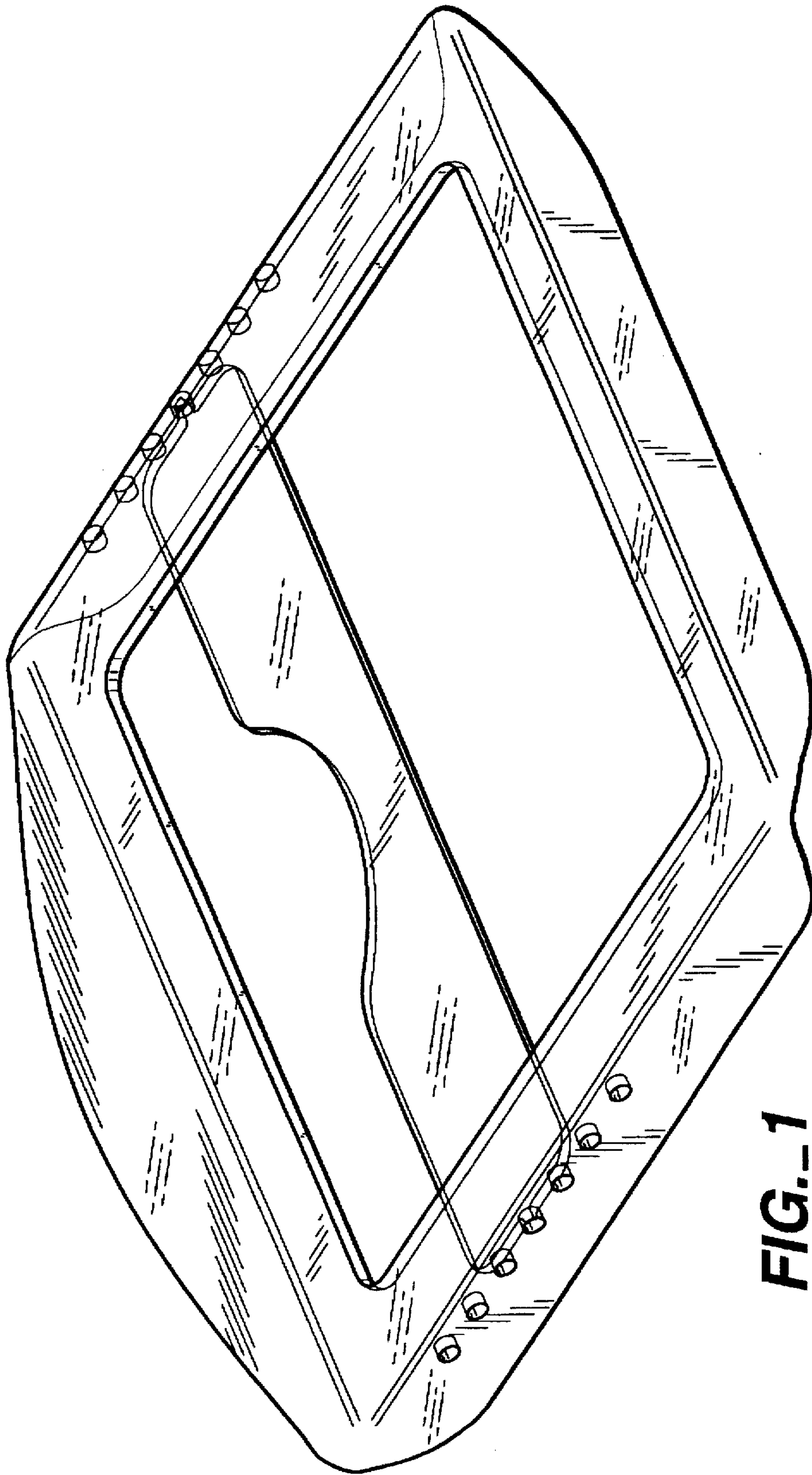


FIG. 1

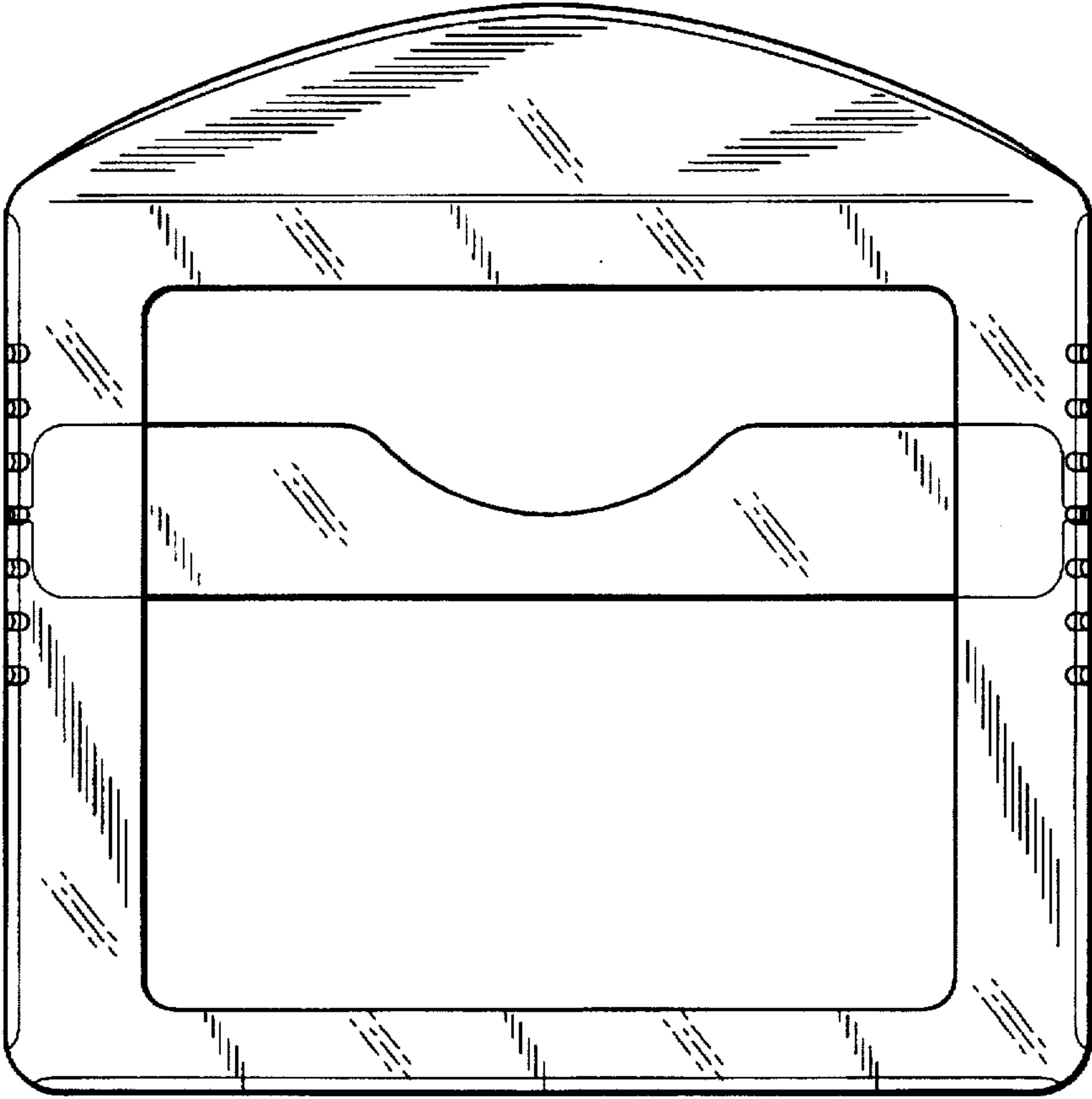


FIG._2

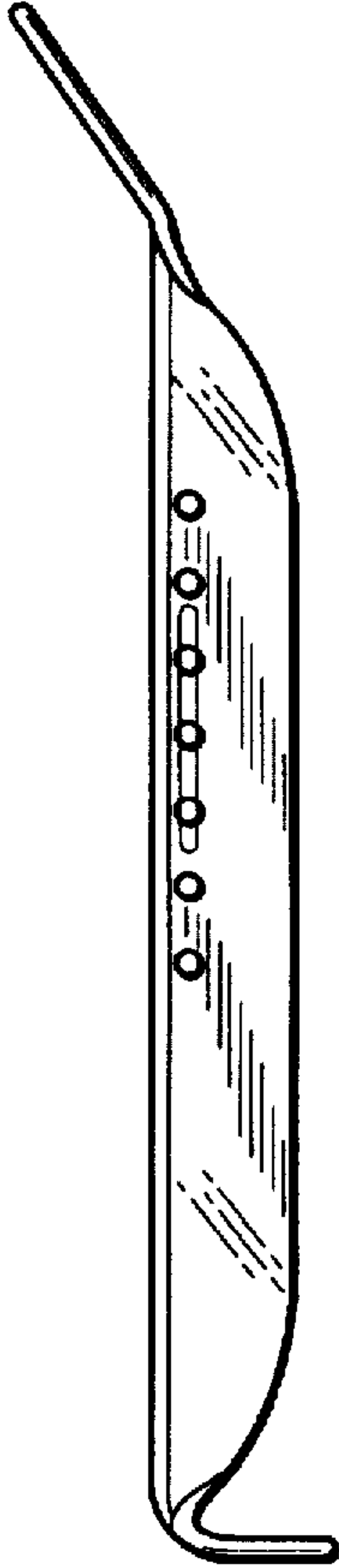


FIG._3

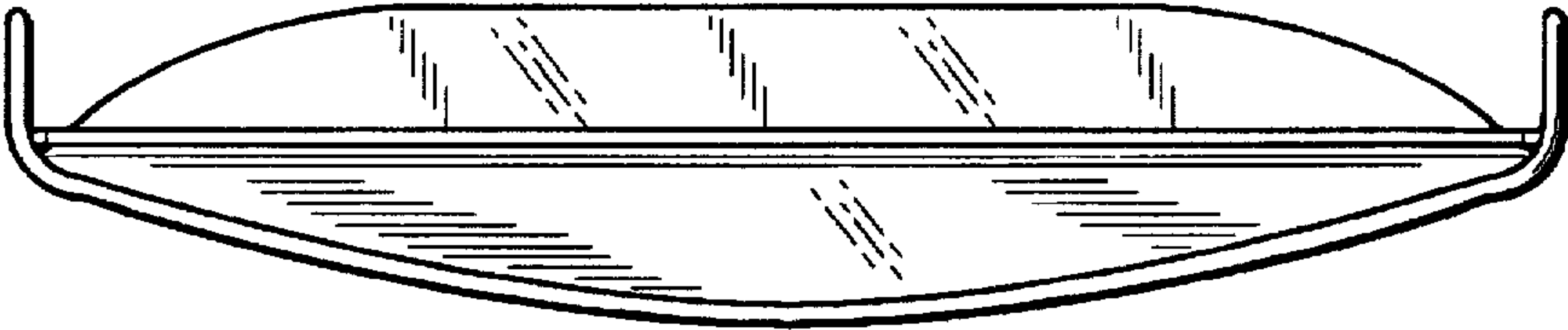


FIG._4

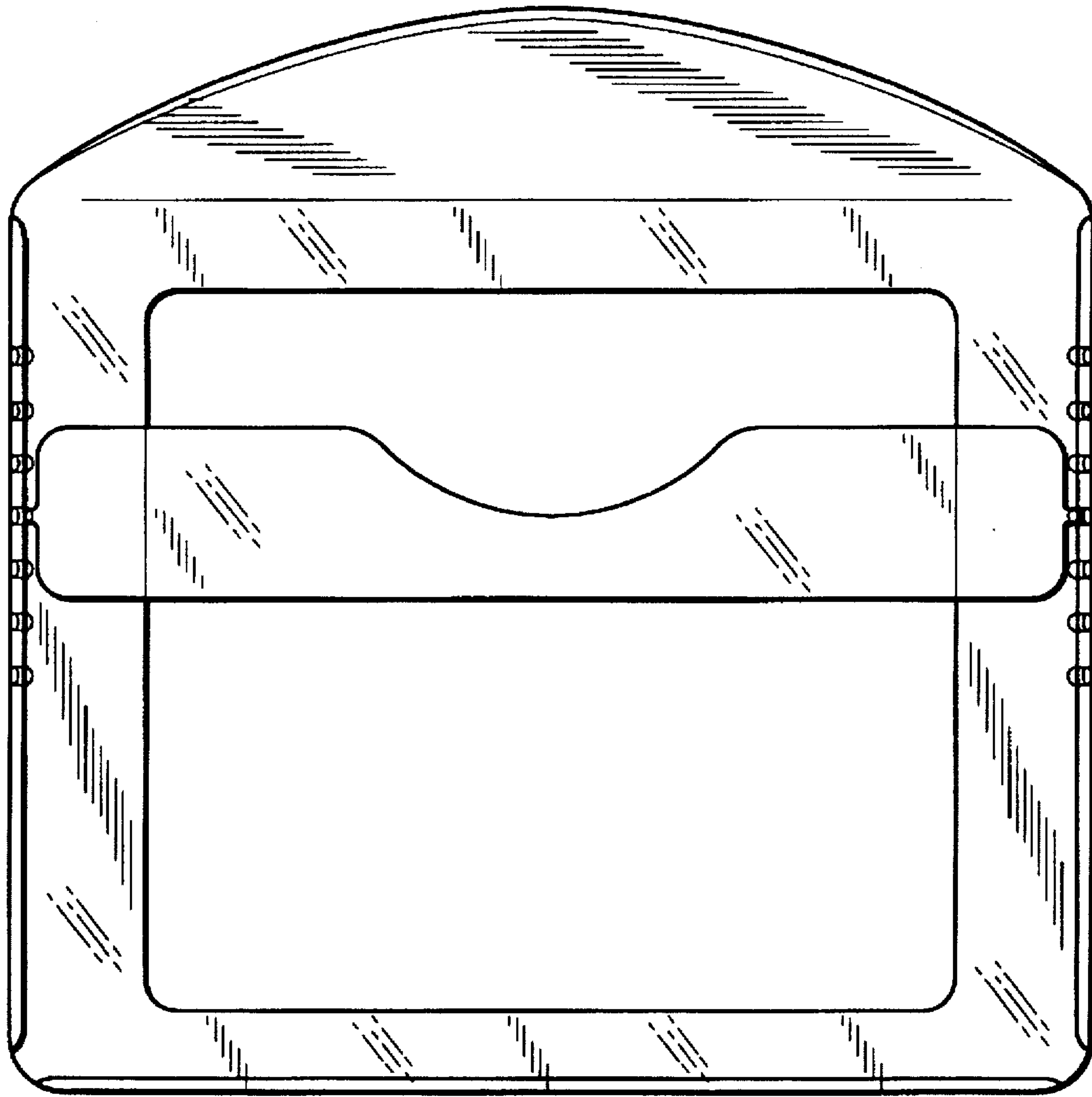


FIG._5

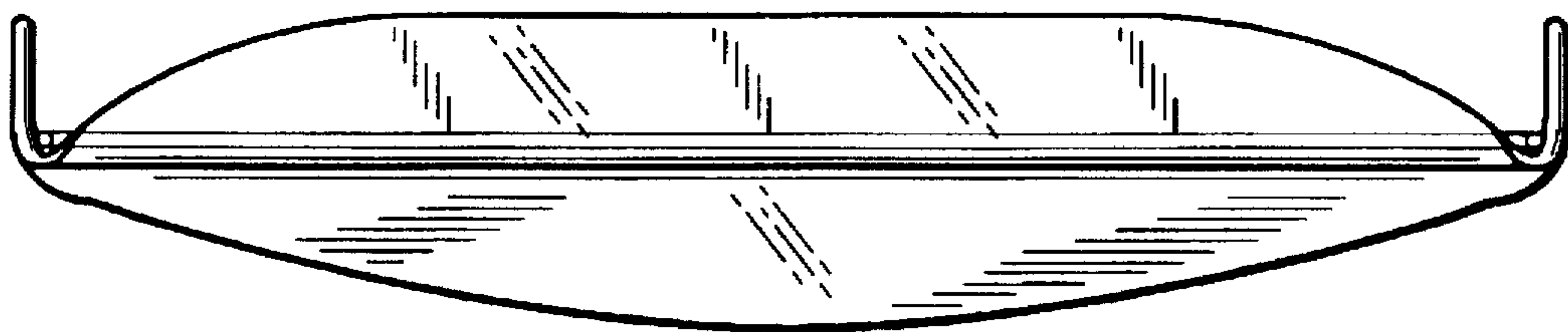


FIG._6