



US00D384697S

# United States Patent [19]

[11] Patent Number: **Des. 384,697**

Glaros

[45] Date of Patent: **\*\*Oct. 7, 1997**

[54] **TOOL FOR ASSISTING AN INDIVIDUAL IN READING AND MATH**

[76] Inventor: **Willis H. Glaros**, 2666 Castlewood Dr., Dyer, Ind. 46311

[\*\*] Term: **14 Years**

3,949,492	4/1976	Less	35/38
3,974,568	8/1976	Linderman	D10/71 X
4,003,143	1/1977	Keitzer et al.	35/38
4,262,422	4/1981	Pass	33/41
4,916,827	4/1990	Rayburn	33/563
5,027,523	7/1991	MacLeod	33/564
5,189,445	2/1993	Stagner	351/46

[21] Appl. No.: **55,330**

[22] Filed: **Jun. 5, 1996**

[51] LOC (6) Cl. .... **19-07**

[52] U.S. Cl. .... **D19/59; D10/71**

[58] Field of Search .... **D19/64, 59, 60, D19/37, 40; 434/187, 199, 188; D10/70, 71, 72; 33/483, 486, 487**

### FOREIGN PATENT DOCUMENTS

1226055	3/1971	United Kingdom	434/187
2 114 514A	8/1983	United Kingdom	.
2 220 276A	6/1988	United Kingdom	.

*Primary Examiner*—Susan J. Lucas  
*Assistant Examiner*—Pamela Burgess  
*Attorney, Agent, or Firm*—Wallenstein & Wagner, Ltd.

### [56] References Cited

#### U.S. PATENT DOCUMENTS

D. 239,093	3/1976	Balla	D10/71
D. 346,121	4/1994	Lapsker et al.	D10/71
1,006,393	10/1911	Montgomery	.
1,478,655	12/1923	Hughes	.
2,530,437	11/1950	Marks	35/38
2,913,836	11/1959	Strunk	35/38
3,422,547	1/1969	Heine	434/187 X
3,541,706	11/1970	Shapiro	35/38
3,911,584	10/1975	Ajus et al.	33/11

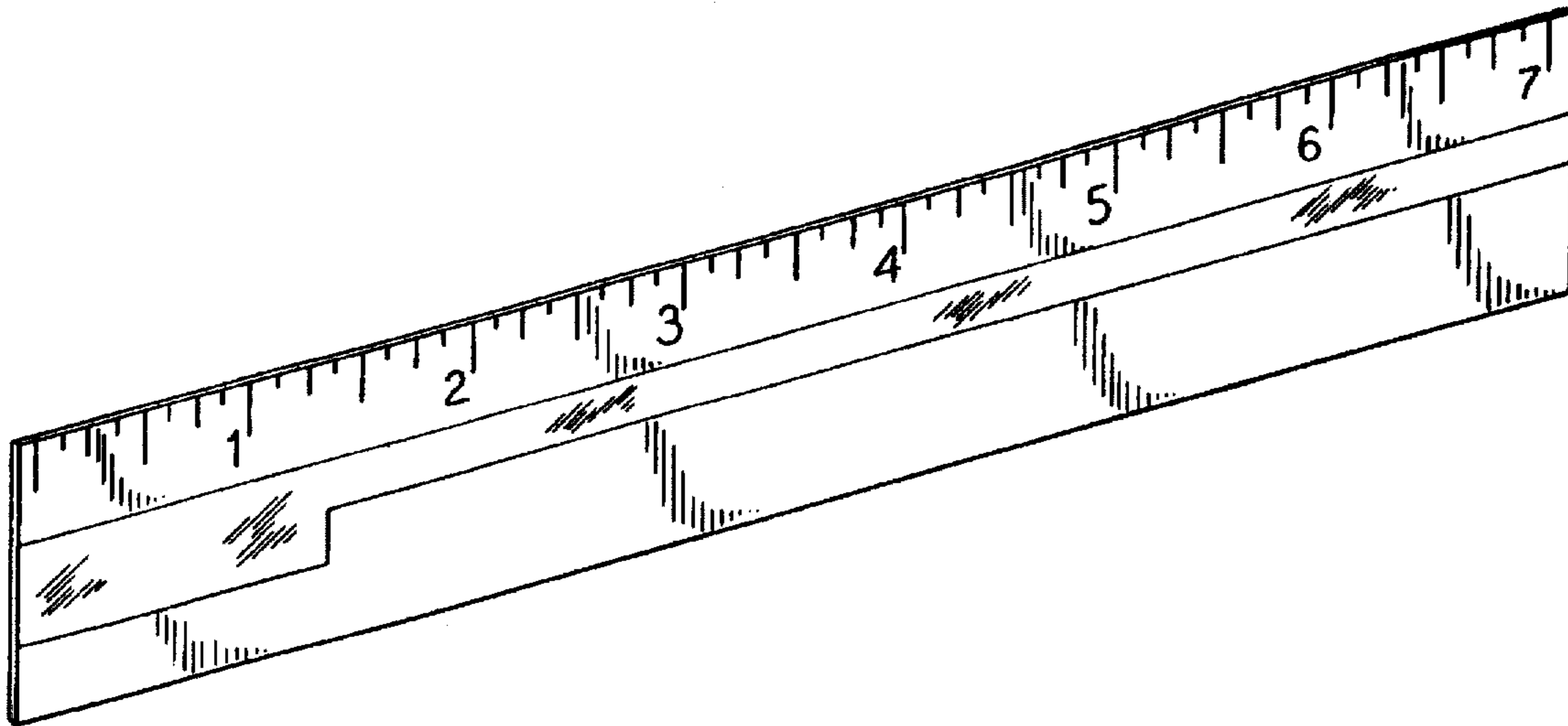
### [57] CLAIM

The ornamental design for a tool for assisting an individual in reading and math, as shown and described.

### DESCRIPTION

FIG. 1 is a perspective view of a tool for assisting an individual in reading and math showing my new design;  
 FIG. 2 is a front view thereof;  
 FIG. 3 is a rear view thereof; and,  
 FIG. 4 is a side view thereof.

1 Claim, 1 Drawing Sheet



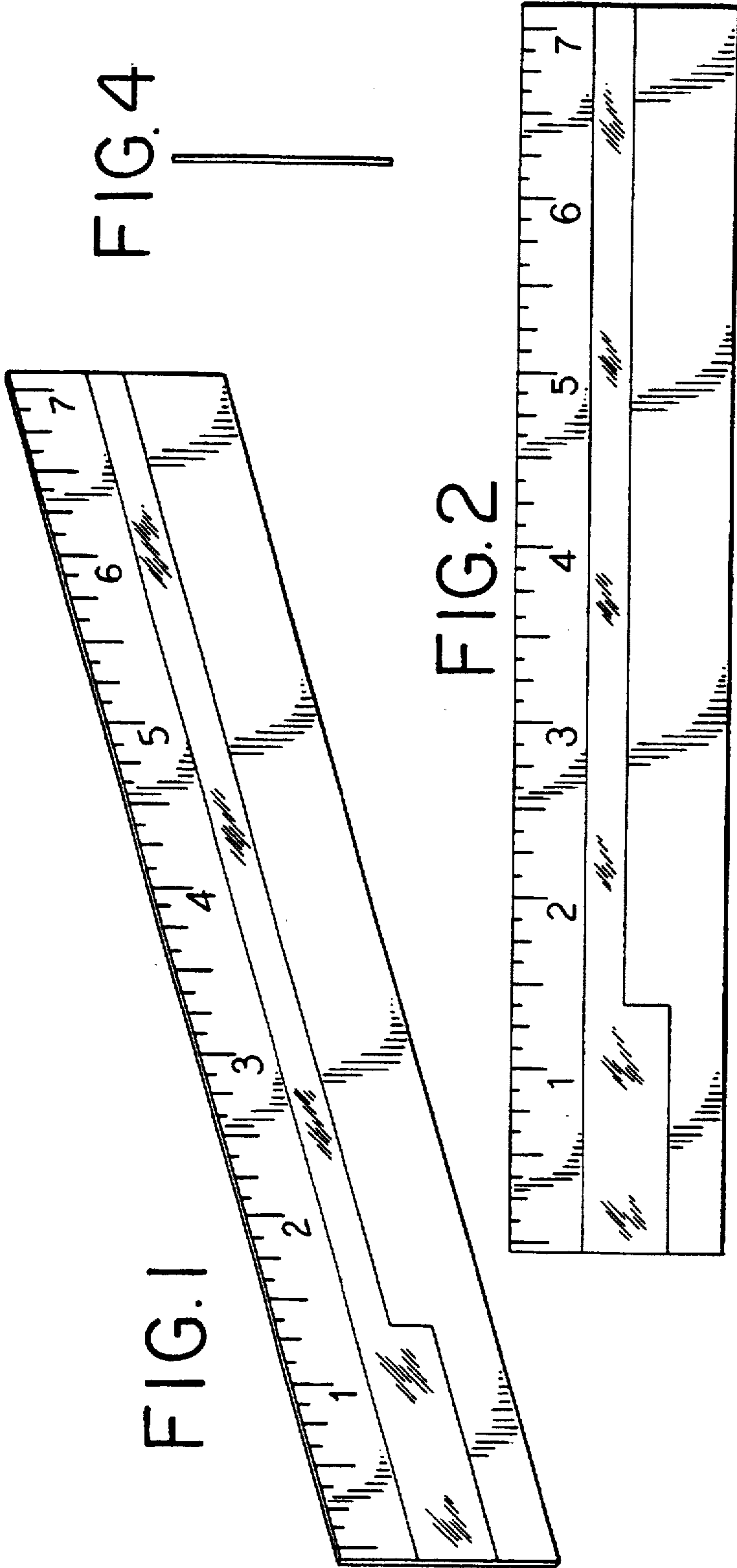


FIG. 4

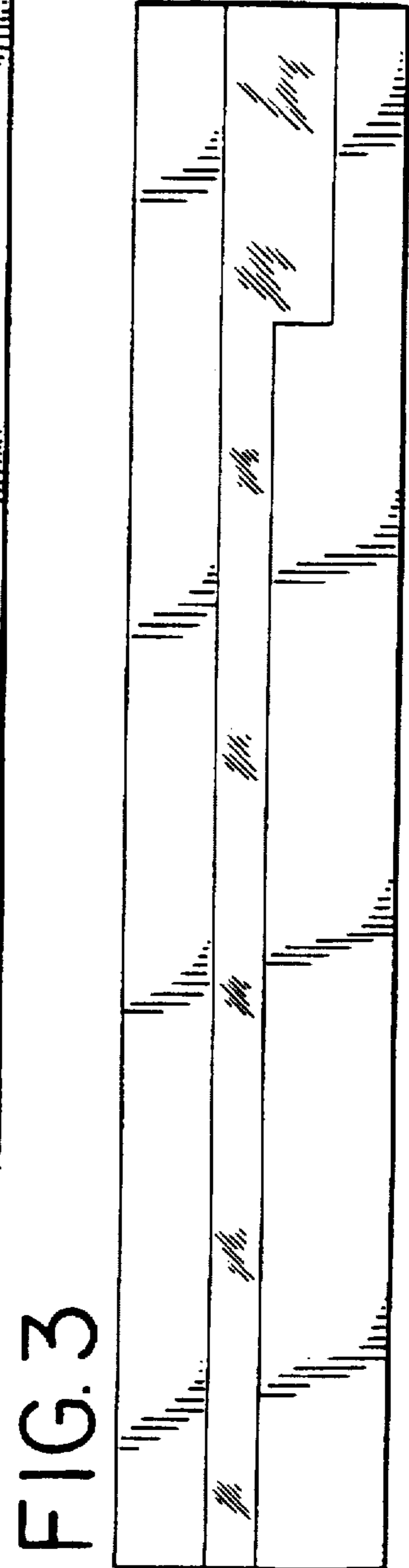
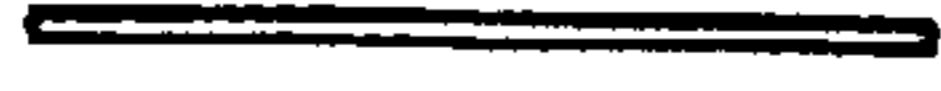


FIG. 3

FIG. 2