



US00D384693S

# United States Patent [19]

[11] Patent Number: **Des. 384,693**

**Kenmochi et al.**

[45] Date of Patent: **\*\*Oct. 7, 1997**

[54] **AUTOMATIC DOCUMENT FEEDER**

[75] Inventors: **Makoto Kenmochi; Hideji Kobashi,**  
both of Yokohama, Japan; **William T. Clark,**  
West Henrietta, N.Y.

[73] Assignee: **Fuji Xerox Co., Ltd.,** Tokyo, Japan

[\*\*] Term: **14 Years**

[21] Appl. No.: **53,973**

[22] Filed: **May 2, 1996**

[51] LOC (6) Cl. .... **18-99**

[52] U.S. Cl. .... **D18/49**

[58] Field of Search ..... D18/36-40, 46,  
D18/49; 271/3, 3.1, 8.1, 9; 355/200, 308,  
309; 358/498

[56] **References Cited**

**U.S. PATENT DOCUMENTS**

D. 265,655 8/1982 Goto ..... D18/38

D. 266,431 10/1982 Clowe et al. .... D18/38  
D. 324,536 3/1992 Isomoto et al. .... D18/49  
D. 354,307 1/1995 Yamamoto ..... D18/49  
D. 374,457 10/1996 Naruki ..... D18/49  
4,955,595 9/1990 Kawano et al. .... D18/49 X

*Primary Examiner*—Caron D. Veynar  
*Attorney, Agent, or Firm*—Oliff & Berridge

[57] **CLAIM**

The ornamental design for an automatic document feeder, as shown and described.

**DESCRIPTION**

FIG. 1 is a perspective view of the top, front and right side of an automatic document feeder showing our new design; FIG. 2 is a front view thereof; FIG. 3 is a rear view thereof; FIG. 4 is a top plan view thereof; FIG. 5 is a right side view thereof; FIG. 6 is a left side view thereof; and, FIG. 7 is a bottom view thereof.

**1 Claim, 3 Drawing Sheets**

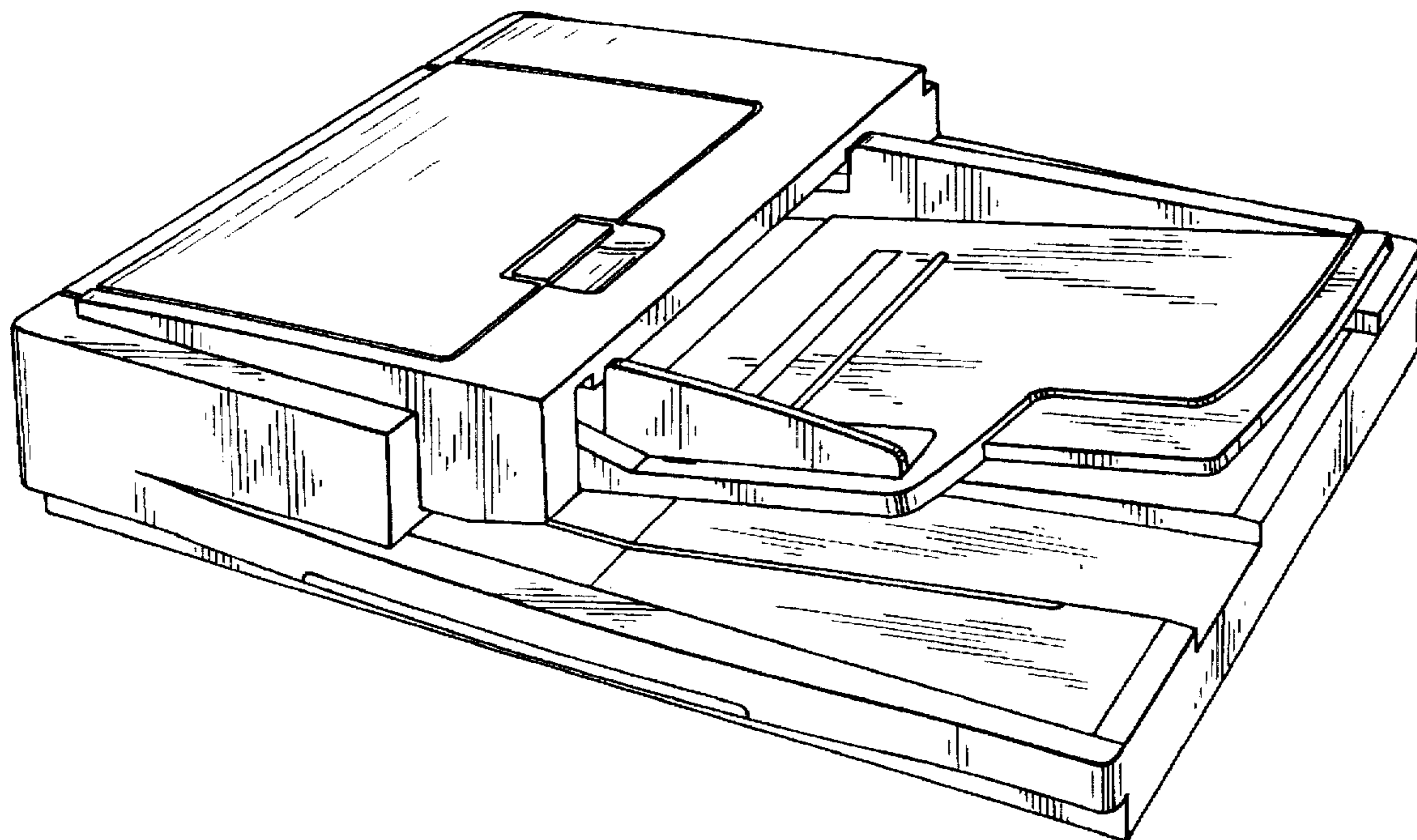


FIG. 1

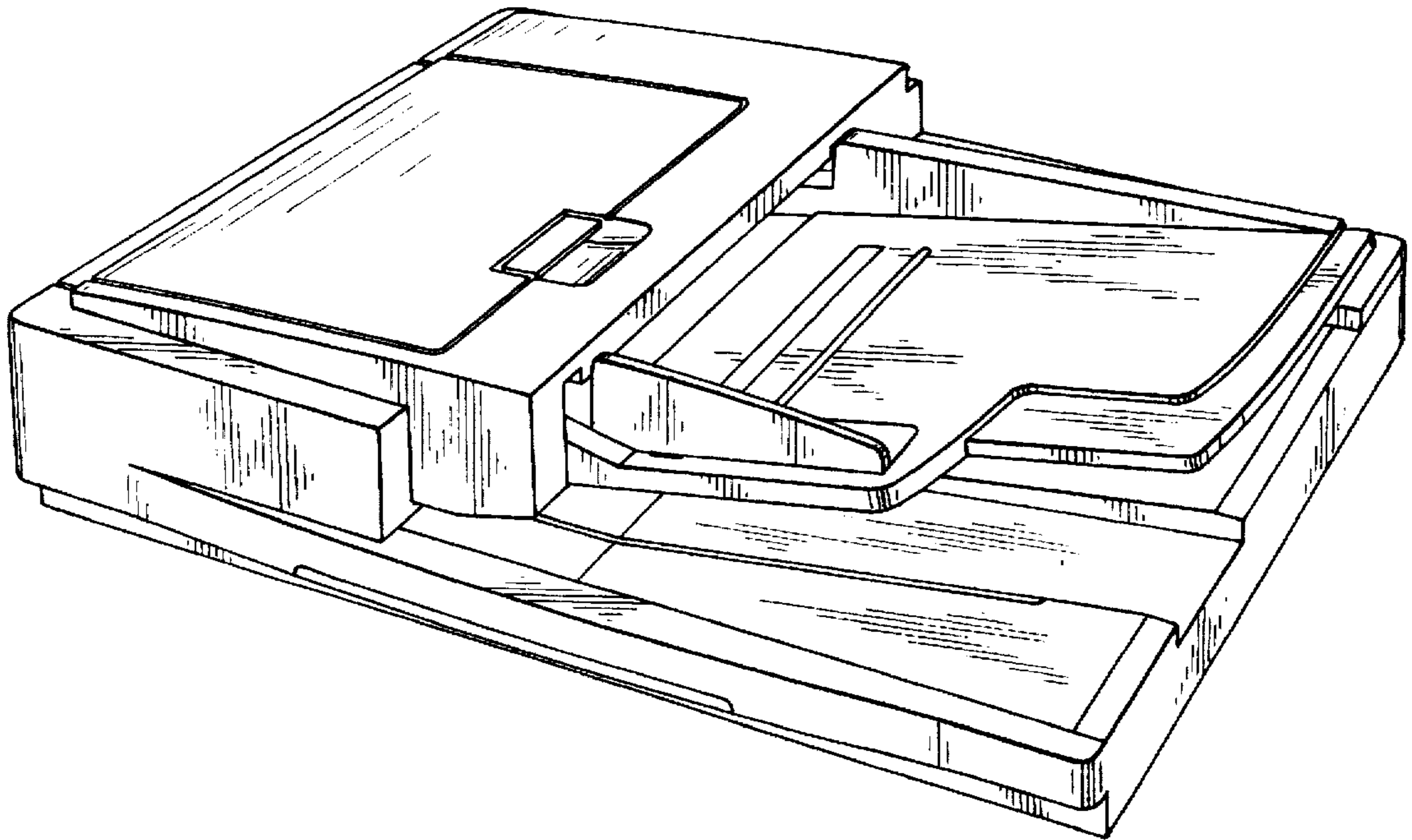


FIG. 2

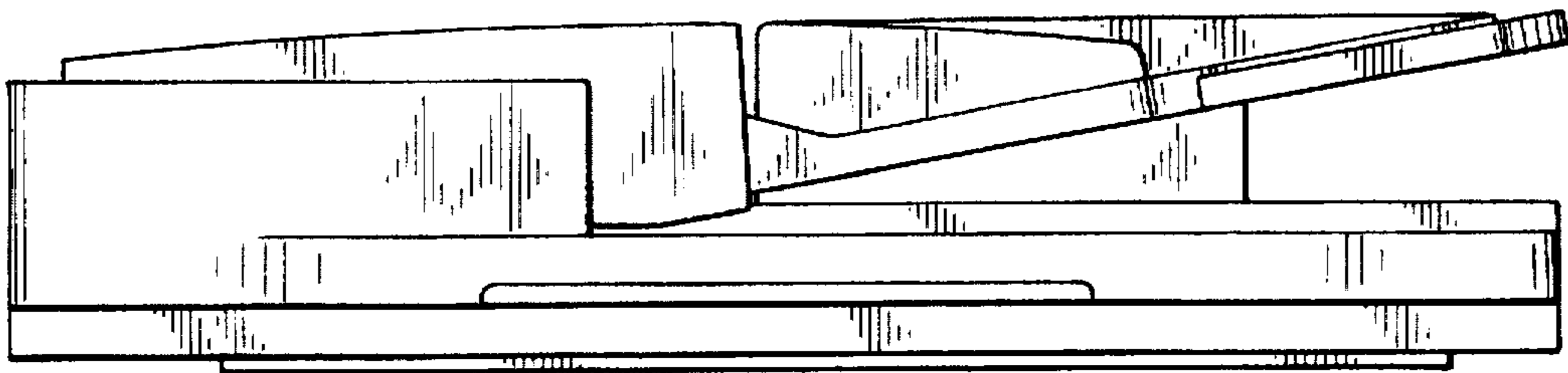
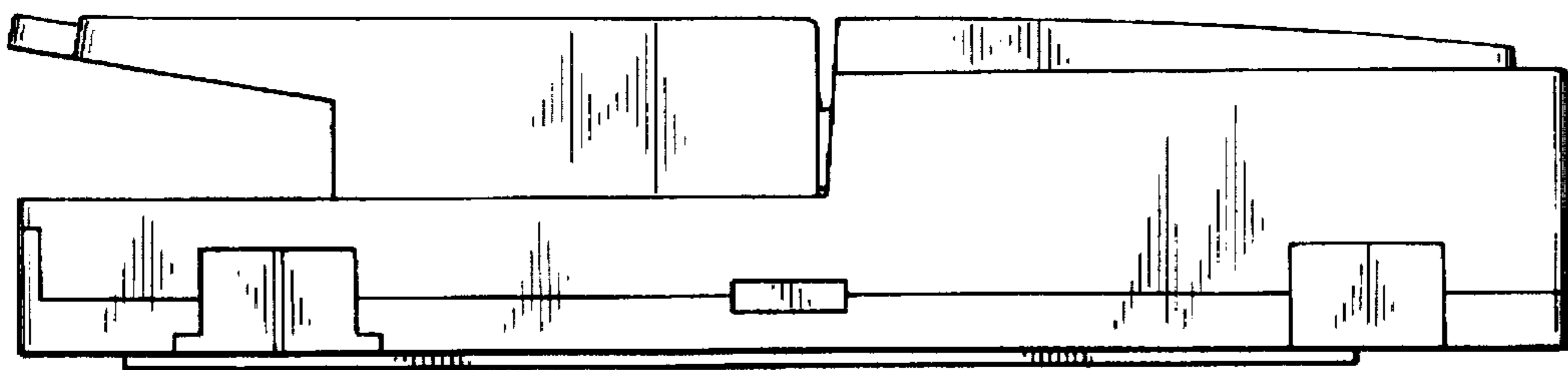
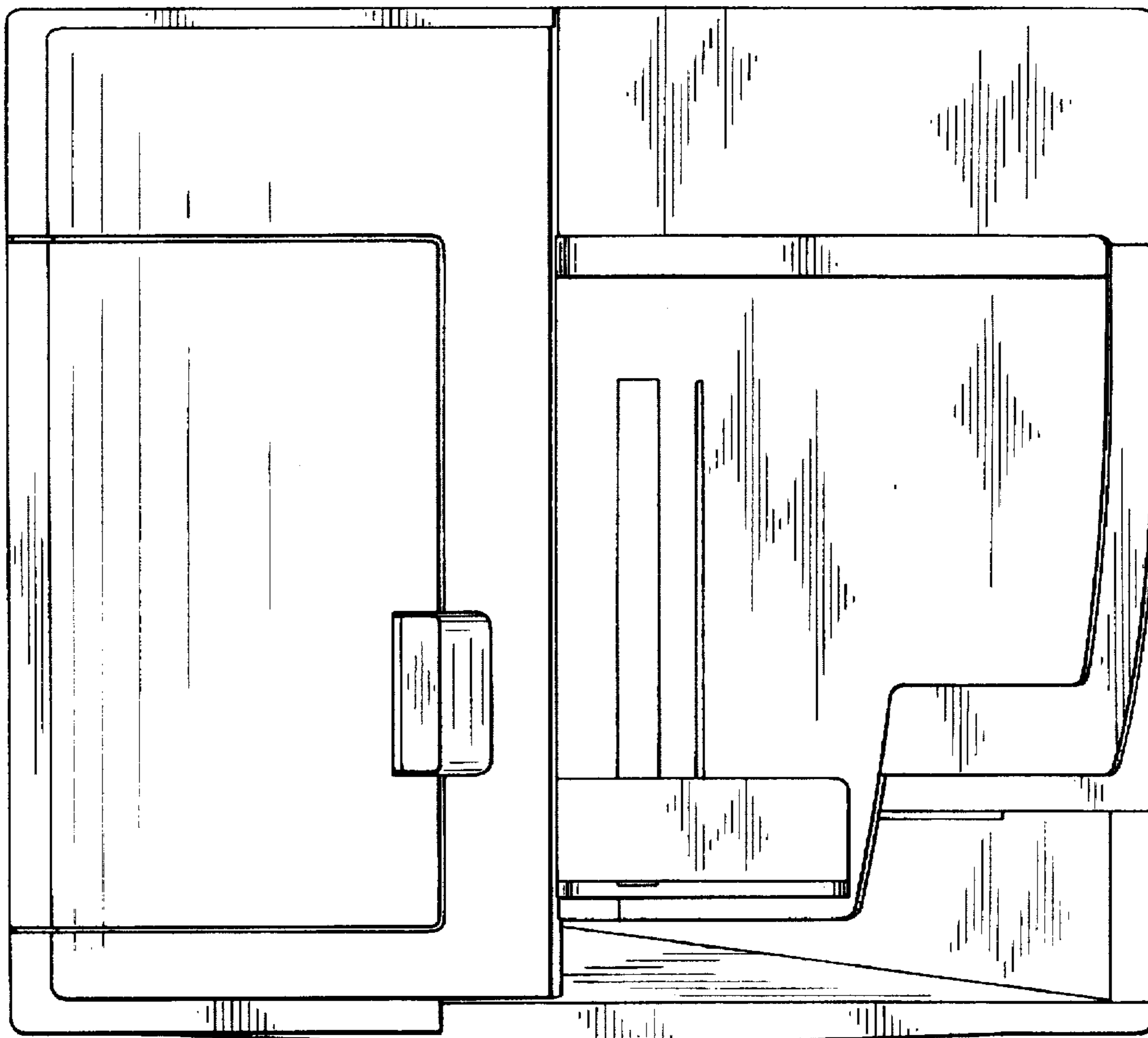


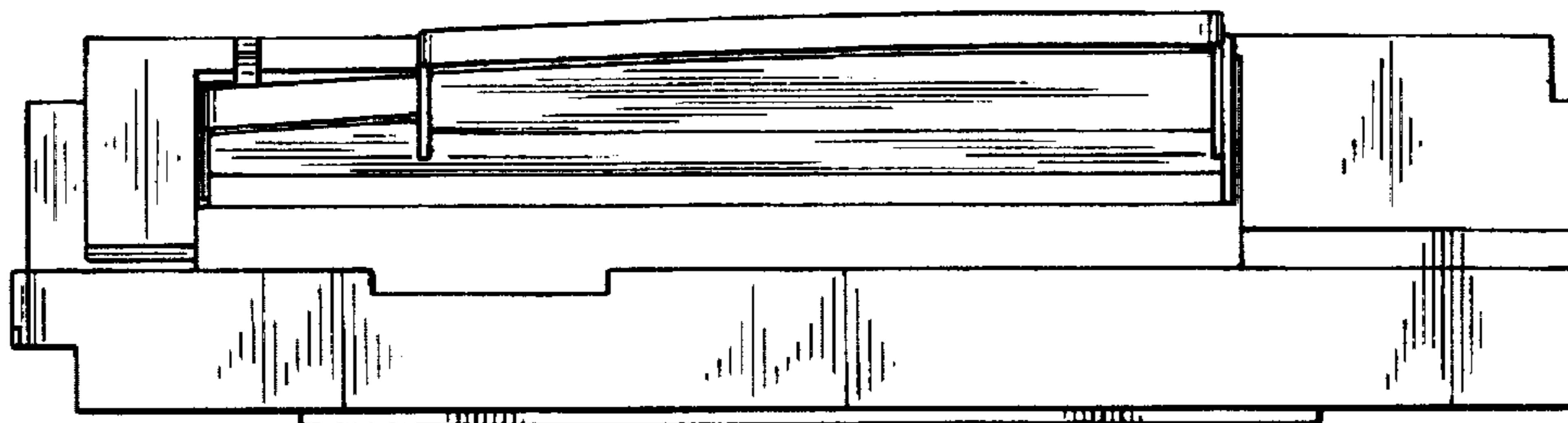
FIG. 3



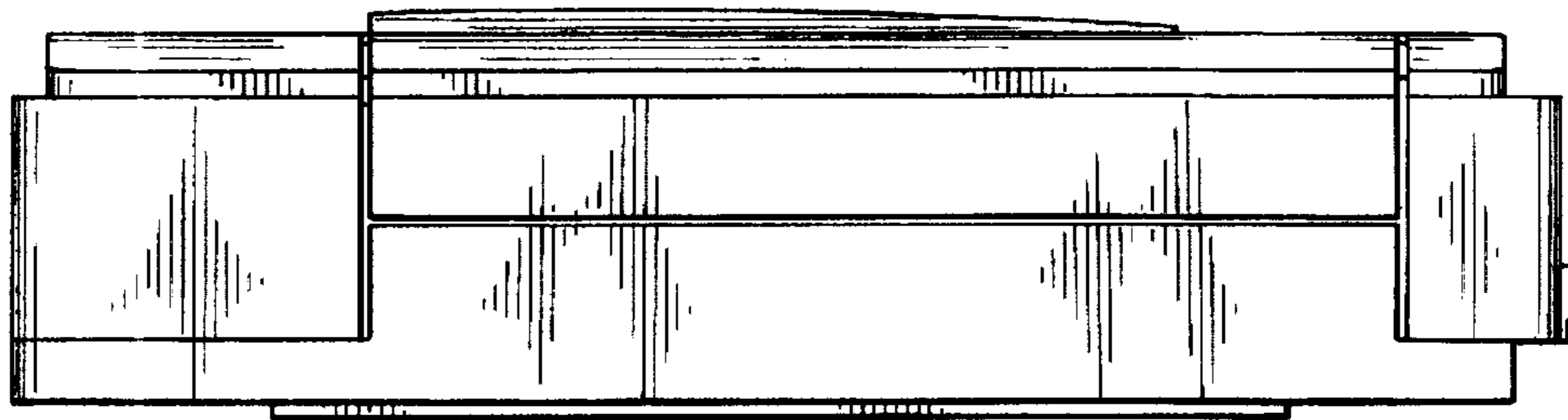
*FIG. 4*



*FIG. 5*



*FIG. 6*



*FIG. 7*

